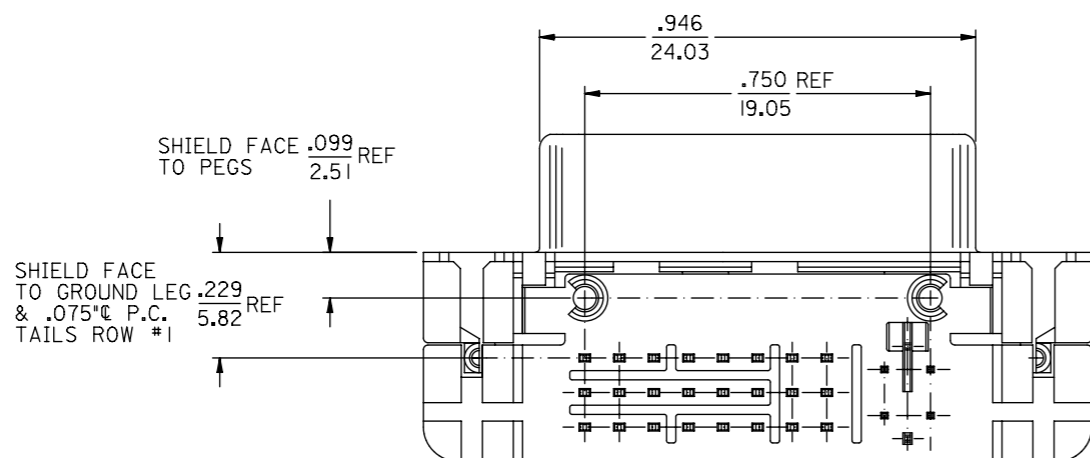
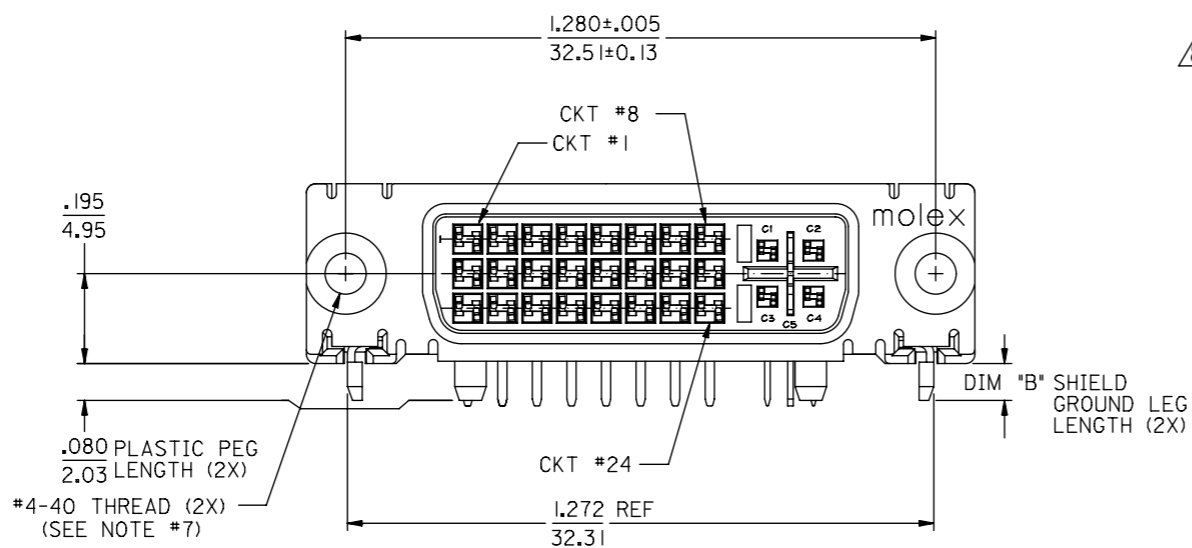
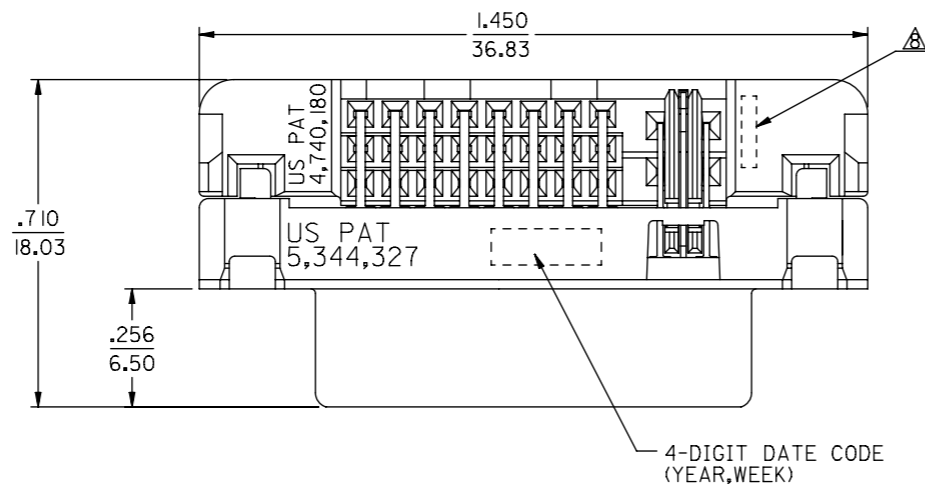




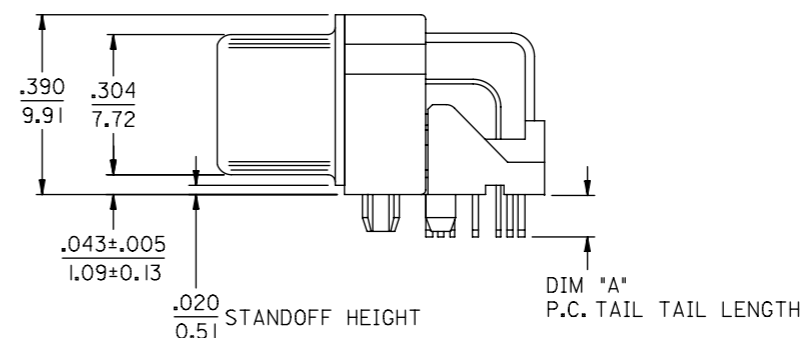
**THE DATASHEET OF  
74320-1000**





NOTES:

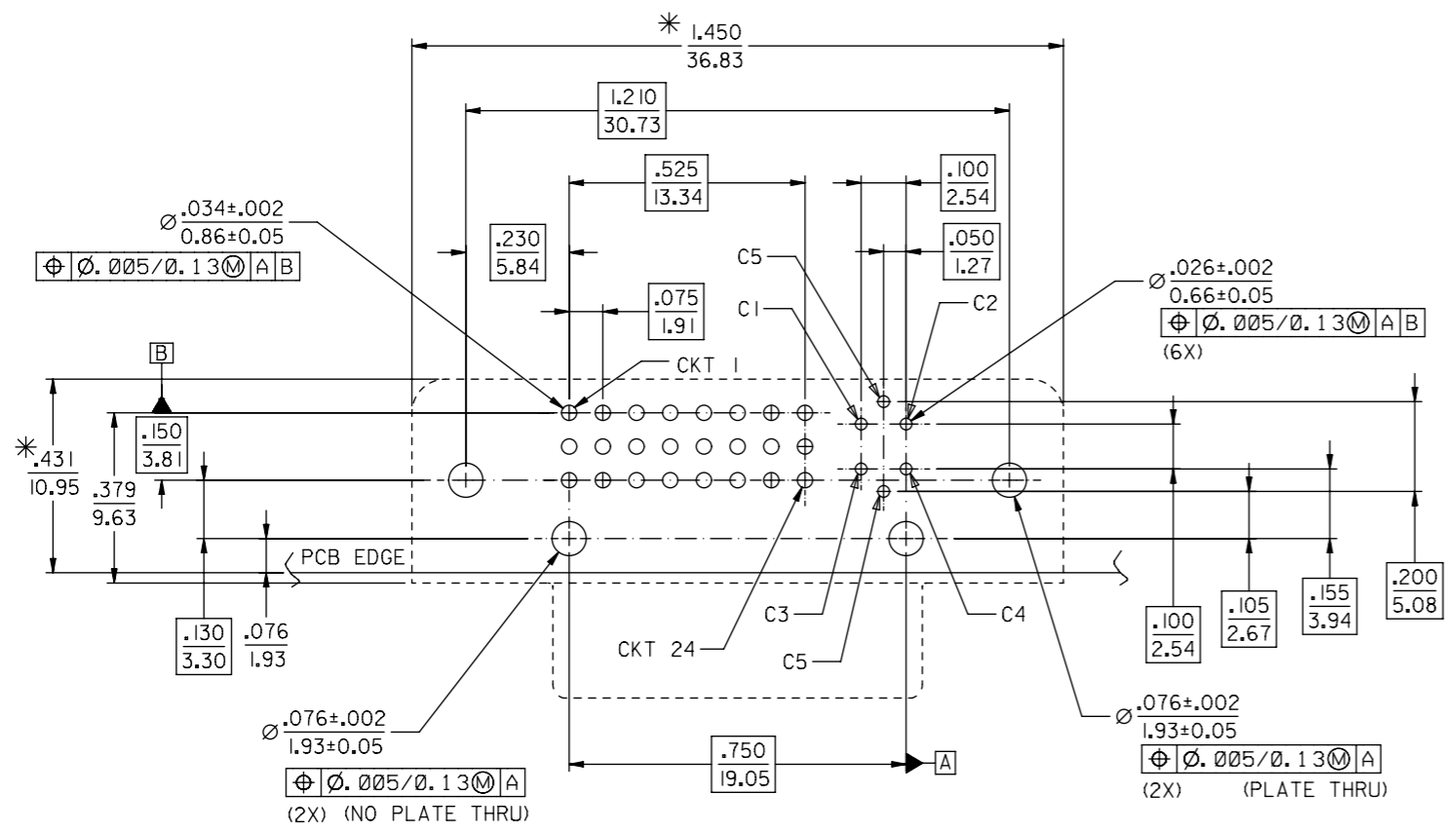
- MATERIAL:  
SHIELD: DEEP DRAW STEEL;  
HOUSING: LCP, UL94V-0, NATURAL (WHITE);  
TAIL ALIGNER: LCP, UL94V-0, NATURAL (WHITE);  
CONTACT: COPPER ALLOY.
  - PLATING: SEE SHEET 2.
  - PRODUCT CONFORMS TO MOLEX PRODUCT SPECIFICATION NUMBER PS-74320-001. REFER TO THIS SPECIFICATION FOR SPACING ON A P.C.B. OF TWO OR MORE CONNECTORS WHEN USING A CABLE OR AN ADAPTER ASSEMBLY.
  - SEE SHEET 2 FOR RECOMMENDED PANEL CUT-OUT AND P.C.B. LAYOUT.
  - PARTS WILL BE PACKAGED IN TRAYS PER PK-74320-010.
  - PRODUCT CONFORMS TO DDWG DVI SPECIFICATION. REFER TO THIS SPECIFICATION FOR CONNECTOR MATING DIMENSIONS.
  - RECOMMENDED MOUNTING HARDWARE IS MOLEX P/N 71781-0001 OR 82007-0300 OR 88780-6066. REFER TO PRODUCT SPECIFICATION NUMBER PS-74320-001 FOR THIS APPLICATION TORQUE REQUIREMENT FOR ASSMBLING MOUNTING HARDWARE.
- ⚠ CAVITY ID AND MANUFACTURING PLANT CODE.



74320-1007	2	.123/3.12	.110/2.79
74320-1006	2	.110/2.79	.110/2.79
74320-1005	2	.050/1.27	2.03±0.51
74320-1004	2	.092/2.34	.080±.020
74320-1003	1	.123/3.12	.110/2.79
74320-1001	1	.050/1.27	2.03±0.51
74320-1000	1	.092/2.34	.080±.020
PART NUMBER	PLATING OPTION	DIM A	DIM B

QUALITY SYMBOLS				THIS DRAWING CONTAINS INFORMATION THAT IS PROPRIETARY TO MOLEX ELECTRONIC TECHNOLOGIES, LLC AND SHOULD NOT BE USED WITHOUT WRITTEN PERMISSION																	
▽ = 0	CHANGE SHELL PLATING	EC NO: 118825	DRWN: XQZHANG	2016/08/16	CHK'D: XQZHANG	2016/08/15	2017/07/10														
▽ = 0																					
▽ = 0																					
▽ = 0																					
▽ = 0																					
▽ = 0																					
▽ = 0																					
▽ = 0																					
▽ = 0																					
▽ = 0																					
▽ = 0	GENERAL TOLERANCES (UNLESS SPECIFIED)	DIMENSION UNITS	SCALE	<p>DVI - INTERGRATED RIGHT ANGLE, RECEPTACLE CONNECTOR</p> <p>PRODUCT CUSTOMER DRAWING</p> <table border="1"> <tr> <td>SERIES</td> <td>MATERIAL NUMBER</td> <td>CUSTOMER</td> </tr> <tr> <td>74320</td> <td>SEE TABLE</td> <td>GENERAL MARKET</td> </tr> <tr> <td>DOCUMENT NUMBER</td> <td>DOC TYPE</td> <td>DOC PART</td> <td>SHEET NUMBER</td> </tr> <tr> <td>SD-74320-001</td> <td>PSD</td> <td>000</td> <td>1 OF 2</td> </tr> </table>				SERIES	MATERIAL NUMBER	CUSTOMER	74320	SEE TABLE	GENERAL MARKET	DOCUMENT NUMBER	DOC TYPE	DOC PART	SHEET NUMBER	SD-74320-001	PSD	000	1 OF 2
SERIES	MATERIAL NUMBER	CUSTOMER																			
74320	SEE TABLE	GENERAL MARKET																			
DOCUMENT NUMBER	DOC TYPE	DOC PART	SHEET NUMBER																		
SD-74320-001	PSD	000	1 OF 2																		
▽ = 0	ANGULAR TOL ± 1.0 °	INCH	1:1																		
▽ = 0	4 PLACES ± 0.01	DRWN BY	DATE																		
▽ = 0	3 PLACES ± 0.01	XQZHANG	2014/12/10																		
▽ = 0	2 PLACES ± 0.01	CHK'D BY	DATE																		
▽ = 0	1 PLACE ±	XQZHANG	2014/12/09																		
▽ = 0	0 PLACES ±	APPR BY	DATE																		
▽ = 0	DRAFT WHERE APPLICABLE MUST REMAIN WITHIN DIMENSIONS	AYIN	2015/02/09																		
▽ = 0		DRAWING SIZE	THIRD ANGLE PROJECTION																		
▽ = 0		A3																			

RELEASE STATUS	RELEASE DATE

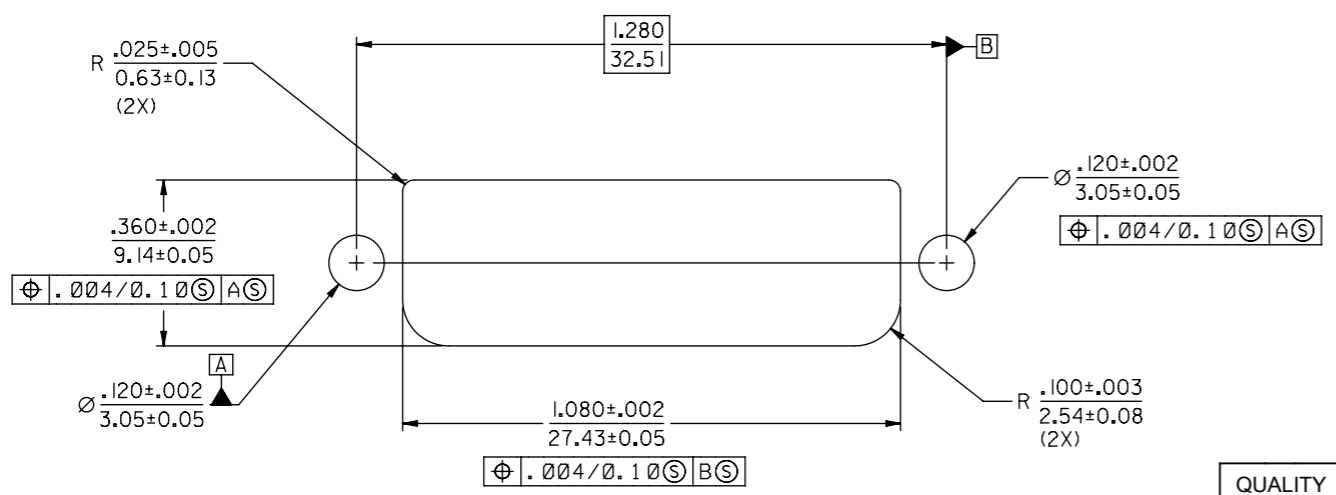


RECOMMENDED PCB LAYOUT

\* THESE DIMENSIONS REPRESENT CONNECTOR OVERLAY ON PCB.

PLATING OPTIONS:  
 PLATING OPTION #1:  
 OUT SHIELD -- 60u"/(1.5um) MIN. SOLDERABLE NICKEL OVER  
 30u"/(0.75um) MIN. COPPER OVERALL.  
 .075"/(1.91mm) CONTACTS -- 30u"/(0.75um) MIN. SELECT GOLD AND  
 100u"/(2.50um) MIN. SELECT PURE TIN  
 OVER 50u"/(1.27um) MIN. NICKEL OVERALL.  
 .100"/(2.54mm) CONTACTS -- 30u"/(0.75um) MIN. SELECT GOLD AND  
 100u"/(2.50um) MIN. SELECT PURE TIN  
 OVER 50u"/(1.27um) MIN. NICKEL OVERALL.

PLATING OPTION #2:  
 OUT SHIELD -- 60u"/(1.5um) MIN. SOLDERABLE NICKEL OVER  
 30u"/(0.75um) MIN. COPPER OVERALL.  
 .075"/(1.91mm) CONTACTS -- SELECT GOLD FLASH AND  
 100u"/(2.50um) MIN. SELECT PURE TIN  
 OVER 50u"/(1.27um) MIN. NICKEL OVERALL.  
 .100"/(2.54mm) CONTACTS -- SELECT GOLD FLASH AND  
 100u"/(2.50um) MIN. SELECT PURE TIN  
 OVER 50u"/(1.27um) MIN. NICKEL OVERALL.



RECOMMENDED PANEL CUT-OUT  
 PANEL THICKNESS: .030"-.040"

THIS DRAWING CONTAINS INFORMATION THAT IS PROPRIETARY TO MOLEX ELECTRONIC TECHNOLOGIES, LLC AND SHOULD NOT BE USED WITHOUT WRITTEN PERMISSION										
QUALITY SYMBOLS		CHANGE SHELL PLATING		GENERAL TOLERANCES (UNLESS SPECIFIED)		DIMENSION UNITS		SCALE		
▽A	= 0	EC NO:	118825	4 PLACES ± 0.01		INCH		1:1		
▽E	= 0	DRWN:	XQZHANG	3 PLACES ± 0.01		DRWN BY		DATE		
▽F	= 0	CHK'D:	XQZHANG	2 PLACES ± 0.01		CHK'D BY		DATE		
▽	= 0	APPR:	AYIN	1 PLACE ±		APPR BY		DATE		
▽C	= 0	REV	G	0 PLACES ±		DRAWING SIZE		THIRD ANGLE PROJECTION		
▽	= 0			DRAFT WHERE APPLICABLE MUST REMAIN WITHIN DIMENSIONS		A3				
▽	= 0									
RELEASE STATUS			RELEASE DATE			74320		SEE TABLE		GENERAL MARKET
						SD-74320-001		PSD	000	2 OF 2

**molex**<sup>®</sup>

DVI - INTERGRATED  
 RIGHT ANGLE, RECEPTACLE CONNECTOR

PRODUCT CUSTOMER DRAWING

SERIES	MATERIAL NUMBER	CUSTOMER	
74320	SEE TABLE	GENERAL MARKET	
DOCUMENT NUMBER	DOC TYPE	DOC PART	SHEET NUMBER
SD-74320-001	PSD	000	2 OF 2

## Looking for pricing, stock, or lifecycle information?

Click below to explore more details on WIN SOURCE:

 [View 74320-1000 on WIN SOURCE](#)

 [Molex, LLC Information](#)

## Optimize Your Supply Chain with WIN SOURCE Solutions

-  Global Sourcing Solution
-  Obsolete Management
-  Cost Control Management
-  Shortage Management
-  Alternative Solution
-  Excess Inventory Management