

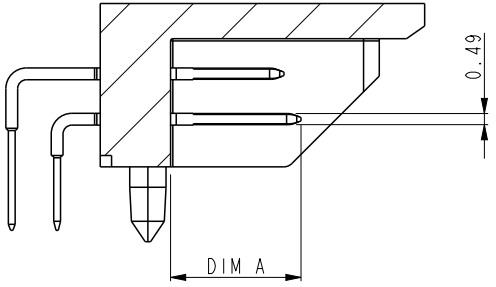


THE DATASHEET OF
72830-201LF

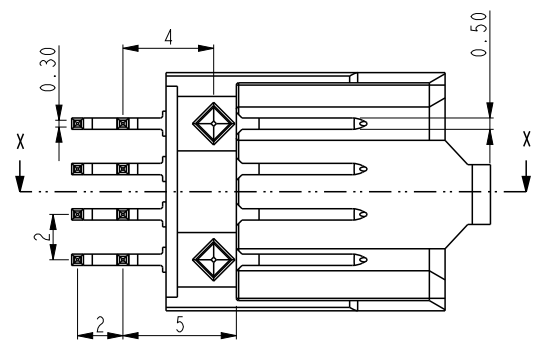
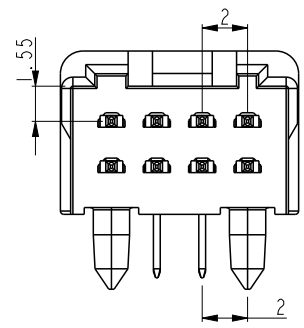
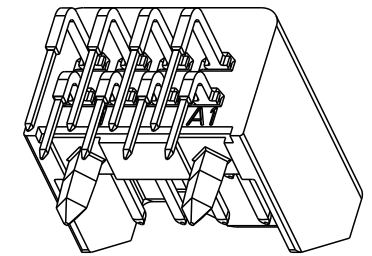
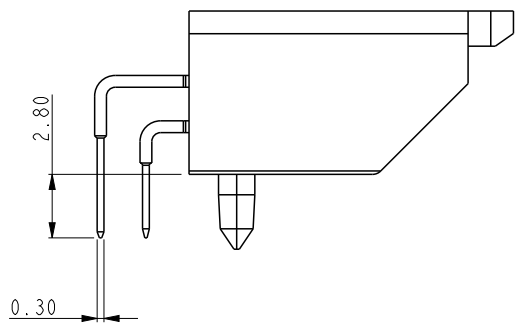




Copyright FCI.



A-A



RELEASE	
TOLERANCES UNLESS OTHERWISE SPECIFIED	
0.X	±0.30
0.XX	±0.15
0.XXX	±0.05
0°	±2°

NOTE:
 1. MATERIAL:
 A. HEADER HOUSING: LIQUID CRYSTAL POLYMER 30% GLASS FLAME RETARDANT ACC. UL 94-V0.
 B. TERMINAL: TINBRONZE
 2. MARKING ACCORDING TO DRAWING 59550.
 3. FOR MORE DETAILS REFER THE DRAWING 72860_C (2 X 4 SIGNAL SOFIX BOARD CONNECTOR)
 4. ROHS INFORMATION:

- THIS PRODUCT MEETS EUROPEAN UNION DIRECTIVES AND OTHER COUNTRY REGULATIONS AS DESCRIBED IN GS-22-008
 - THE HOUSING WILL WITHSTAND EXPOSURE TO 260°C PEAK TEMPERATURE FOR 10 SECONDS IN A WAVE SOLDER APPLICATION WITH A 1.60±0.10MM CIRCUIT BOARD. SEE APPLICATION NOTES/PROCEDURES IF THEY ARE AVAILABLE

5. PACKAGE TYPE:
 72830-XXXLF: TUBE PACKING
 72830-XXXRLF: TAPE AND REEL PACKING

Performance level	
72830-XXXLF	Telcordia CO.

dr	Andy Zhang	2010/11/02	projection 	MM ←→	size	A4	scale	1.000
eng	John Han	2013/09/12			ecn no	ELX-N-15807-1		
chr	-	-			rel level	Released		
appr	Rick Bian	2013/10/30	Family: SOFIX SHIELDED I/O		rev	72830		G
www.fci.com		cat. no.	72830-20x		Product - Customer Drw		sheet 1 of 2	

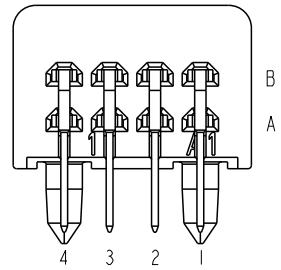
A

B

Product number	Made from						
Item	I	Row		Column			
	Housing		Number	4	3	2	1
72830-201LF	72706-001	B	8	O	O	O	O
72830-201RLF		A		N	N	N	N
72830-202LF	72706-001	B	8	S	S	O	O
		A		N	N	N	N
72830-203LF	72706-001	B	8	S	S	S	S
72830-103LF		A		N	N	R	R

SEE NOTE 5

Item	Dim A
N	5.75
O	5.00
R	5.00
S	5.75



A

B

C

D



Copyright FCI.

spec ref	RELEASE			dr	Andy Zhang	2010/11/02	projection	MM	size	A4	scale	1.000	
tolerance std	TOLERANCES UNLESS OTHERWISE SPECIFIED			eng	John Han	2013/09/12			← →	ecn no			ELX-N-15807-1
				chr	-	-				rel level			Released
surface	✓	linear	0.X ±0.30	appr	Rick Bian	2013/10/30	Family: SOFIX SHIELDED I/O			72830	rev	G	
		angular	0° ±2°	www.fci.com		cat. no.	72830-20x	Product - Customer Drw			sheet 2 of 2		

Looking for pricing, stock, or lifecycle information?

Click below to explore more details on WIN SOURCE:

 [View 72830-201LF on WIN SOURCE](#)

 [Amphenol FCI Information](#)

Optimize Your Supply Chain with WIN SOURCE Solutions

-  Global Sourcing Solution
-  Obsolete Management
-  Cost Control Management
-  Shortage Management
-  Alternative Solution
-  Excess Inventory Management