



**THE DATASHEET OF  
70V27L25PF8**





# HIGH-SPEED 3.3V 32K x 16 DUAL-PORT STATIC RAM

IDT70V27S/L

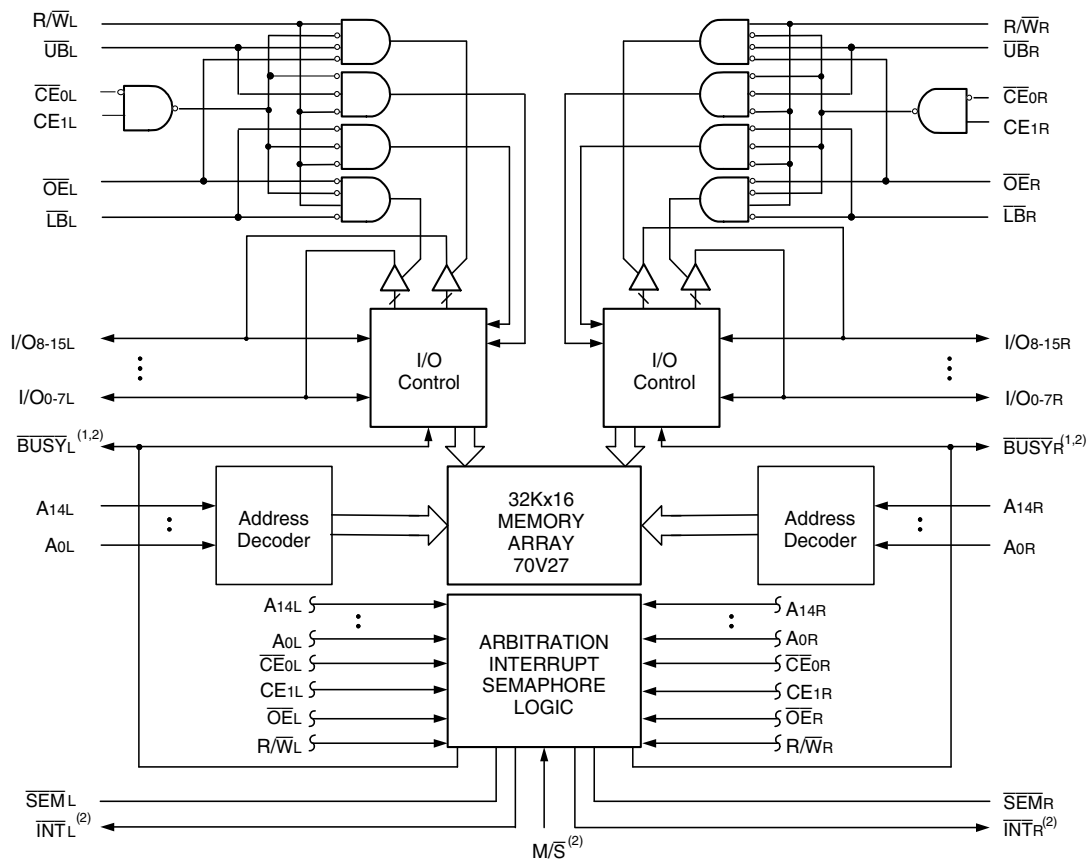
LEAD FINISH (SnPb) ARE IN EOL PROCESS - LAST TIME BUY EXPIRES JUNE 15, 2018

## Features:

- ◆ True Dual-Ported memory cells which allow simultaneous access of the same memory location
- ◆ High-speed access
  - Commercial: 15/20/25/35/55ns (max.)
  - Industrial: 15/20/35ns (max.)
- ◆ Low-power operation
  - IDT70V27S  
Active: 500mW (typ.)  
Standby: 3.3mW (typ.)
  - IDT70V27L  
Active: 500mW (typ.)  
Standby: 660μW (typ.)
- ◆ Separate upper-byte and lower-byte control for bus matching capability
- ◆ On-chip port arbitration logic

- ◆ Dual chip enables allow for depth expansion without external logic
- ◆ IDT70V27 easily expands data bus width to 32 bits or more using the Master/Slave select when cascading more than one device
- ◆  $M/\bar{S} = V_{IH}$  for  $\overline{BUSY}$  output flag on Master,  $M/\bar{S} = V_{IL}$  for  $\overline{BUSY}$  input on Slave
- ◆ Busy and Interrupt Flags
- ◆ Full on-chip hardware support of semaphore signaling between ports
- ◆ Fully asynchronous operation from either port
- ◆ LVTTTL-compatible, single 3.3V ( $\pm 0.3V$ ) power supply
- ◆ Available in 100-pin Thin Quad Flatpack (TQFP)
- ◆ Industrial temperature range ( $-40^{\circ}C$  to  $+85^{\circ}C$ ) is available for selected speeds
- ◆ Green parts available, see ordering information

## Functional Block Diagram



### NOTES:

- 1)  $\overline{BUSY}$  is an input as a Slave ( $M/\bar{S}=V_{IL}$ ) and an output as a Master ( $M/\bar{S}=V_{IH}$ ).
- 2)  $\overline{BUSY}$  and  $\overline{INT}$  are non-tri-state totem-pole outputs (push-pull).

3603 drw 01

JANUARY 2019

## Description:

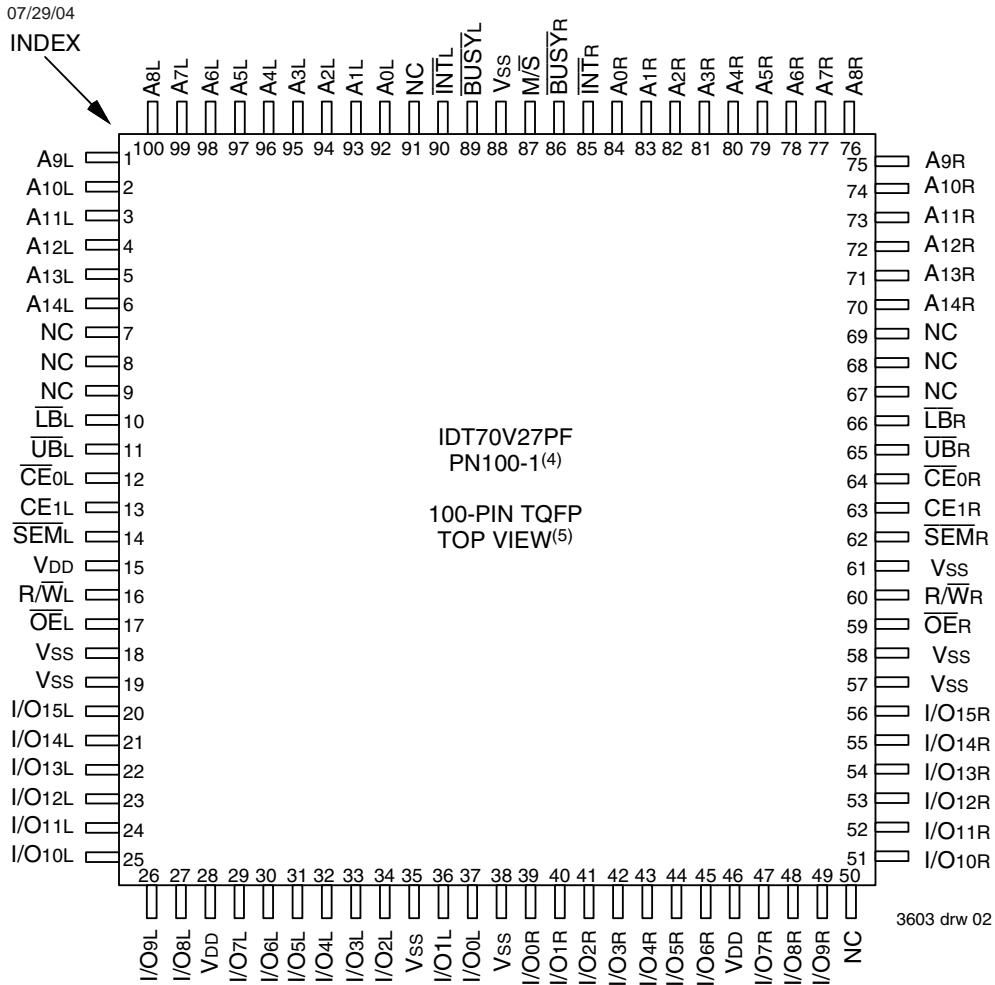
The IDT70V27 is a high-speed 32K x 16 Dual-Port Static RAM, designed to be used as a stand-alone 512K-bit Dual-Port RAM or as a combination MASTER/SLAVE Dual-Port RAM for 32-bit and wider word systems. Using the IDT MASTER/SLAVE Dual-Port RAM approach in 32-bit or wider memory system applications results in full-speed, error-free operation without the need for additional discrete logic.

The device provides two independent ports with separate control, address, and I/O pins that permit independent, asynchronous access for

reads or writes to any location in memory. An automatic power down feature controlled by the chip enables ( $\overline{CE_0}$  and  $CE_1$ ) permits the on-chip circuitry of each port to enter a very low standby power mode.

Fabricated using CMOS high-performance technology, these devices typically operate on only 500mW of power. The IDT70V27 is packaged in a 100-pin Thin Quad Flatpack (TQFP).

Pin Configurations<sup>(1,2,3)</sup>



NOTES:

1. All V<sub>DD</sub> pins must be connected to power supply.
2. All V<sub>SS</sub> pins must be connected to ground supply.
3. Package body is approximately 14mm x 14mm x 1.4mm.
4. This package code is used to reference the package diagram.
5. This text does not indicate orientation of the actual part-marking.

Pin Names

| Left Port               | Right Port              | Names                  |
|-------------------------|-------------------------|------------------------|
| $\overline{CE}0L, CE1L$ | $\overline{CE}0R, CE1R$ | Chip Enable            |
| $R/\overline{W}L$       | $R/\overline{W}R$       | Read/Write Enable      |
| $\overline{OE}L$        | $\overline{OE}R$        | Output Enable          |
| A0L - A14L              | A0R - A14R              | Address                |
| I/O0L - I/O15L          | I/O0R - I/O15R          | Data Input/Output      |
| $\overline{SEM}L$       | $\overline{SEM}R$       | Semaphore Enable       |
| $\overline{UB}L$        | $\overline{UB}R$        | Upper Byte Select      |
| $\overline{LB}L$        | $\overline{LB}R$        | Lower Byte Select      |
| $\overline{INT}L$       | $\overline{INT}R$       | Interrupt Flag         |
| $\overline{BUSY}L$      | $\overline{BUSY}R$      | Busy Flag              |
|                         | $\overline{M/S}$        | Master or Slave Select |
|                         | V <sub>DD</sub>         | Power (3.3V)           |
|                         | V <sub>SS</sub>         | Ground (0V)            |

Truth Table I – Chip Enable<sup>(1,2,3)</sup>

| $\overline{CE}$ | $\overline{CE}_0$    | $CE_1$               | Mode                            |
|-----------------|----------------------|----------------------|---------------------------------|
| L               | $V_{IL}$             | $V_{IH}$             | Port Selected (TTL Active)      |
|                 | $\leq 0.2V$          | $\geq V_{DD} - 0.2V$ | Port Selected (CMOS Active)     |
| H               | $V_{IH}$             | X                    | Port Deselected (TTL Inactive)  |
|                 | X                    | $V_{IL}$             | Port Deselected (TTL Inactive)  |
|                 | $\geq V_{DD} - 0.2V$ | X                    | Port Deselected (CMOS Inactive) |
|                 | X                    | $\leq 0.2V$          | Port Deselected (CMOS Inactive) |

3603 tbl 02

NOTES:

1. Chip Enable references are shown above with the actual  $\overline{CE}_0$  and  $CE_1$  levels,  $\overline{CE}$  is a reference only.
2. Port "A" and "B" references are located where  $\overline{CE}$  is used.
3. "H" =  $V_{IH}$  and "L" =  $V_{IL}$ .

Truth Table II – Non-Contention Read/Write Control

| Inputs <sup>(1)</sup> |                  |                 |                 |                 |                  | Outputs             |                     | Mode                     |
|-----------------------|------------------|-----------------|-----------------|-----------------|------------------|---------------------|---------------------|--------------------------|
| $\overline{CE}^{(2)}$ | $R/\overline{W}$ | $\overline{OE}$ | $\overline{UB}$ | $\overline{LB}$ | $\overline{SEM}$ | I/O <sub>8-15</sub> | I/O <sub>0-7</sub>  |                          |
| H                     | X                | X               | X               | X               | H                | High-Z              | High-Z              | Deselected: Power-Down   |
| X                     | X                | X               | H               | H               | H                | High-Z              | High-Z              | Both Bytes Deselected    |
| L                     | L                | X               | L               | H               | H                | DATA <sub>IN</sub>  | High-Z              | Write to Upper Byte Only |
| L                     | L                | X               | H               | L               | H                | High-Z              | DATA <sub>IN</sub>  | Write to Lower Byte Only |
| L                     | L                | X               | L               | L               | H                | DATA <sub>IN</sub>  | DATA <sub>IN</sub>  | Write to Both Bytes      |
| L                     | H                | L               | L               | H               | H                | DATA <sub>OUT</sub> | High-Z              | Read Upper Byte Only     |
| L                     | H                | L               | H               | L               | H                | High-Z              | DATA <sub>OUT</sub> | Read Lower Byte Only     |
| L                     | H                | L               | L               | L               | H                | DATA <sub>OUT</sub> | DATA <sub>OUT</sub> | Read Both Bytes          |
| X                     | X                | H               | X               | X               | X                | High-Z              | High-Z              | Outputs Disabled         |

3603 tbl 03

NOTES:

1.  $A_{0L} - A_{14L} \neq A_{0R} - A_{14R}$ .
2. Refer to Chip Enable Truth Table.

Truth Table III – Semaphore Read/Write Control

| Inputs <sup>(1)</sup> |                  |                 |                 |                 |                  | Outputs             |                     | Mode                                       |
|-----------------------|------------------|-----------------|-----------------|-----------------|------------------|---------------------|---------------------|--|
| $\overline{CE}^{(2)}$ | $R/\overline{W}$ | $\overline{OE}$ | $\overline{UB}$ | $\overline{LB}$ | $\overline{SEM}$ | I/O <sub>8-15</sub> | I/O <sub>0-7</sub>  |  |
| H                     | H                | L               | X               | X               | L                | DATA <sub>OUT</sub> | DATA <sub>OUT</sub> | Read Data in Semaphore Flag                |
| X                     | H                | L               | H               | H               | L                | DATA <sub>OUT</sub> | DATA <sub>OUT</sub> | Read Data in Semaphore Flag                |
| H                     | ↑                | X               | X               | X               | L                | DATA <sub>IN</sub>  | DATA <sub>IN</sub>  | Write I/O <sub>0</sub> into Semaphore Flag |
| X                     | ↑                | X               | H               | H               | L                | DATA <sub>IN</sub>  | DATA <sub>IN</sub>  | Write I/O <sub>0</sub> into Semaphore Flag |
| L                     | X                | X               | L               | X               | L                | —                   | —                   | Not Allowed                                |
| L                     | X                | X               | X               | L               | L                | —                   | —                   | Not Allowed                                |

3603 tbl 04

NOTES:

1. There are eight semaphore flags written to I/O<sub>0</sub> and read from all the I/Os (I/O<sub>0</sub>-I/O<sub>15</sub>). These eight semaphore flags are addressed by A<sub>0</sub>-A<sub>2</sub>.
2. Refer to Chip Enable Truth Table.

### Absolute Maximum Ratings<sup>(1)</sup>

| Symbol                           | Rating                               | Commercial & Industrial | Unit |
|----------------------------------|--------------------------------------|-------------------------|------|
| V <sub>TERM</sub> <sup>(2)</sup> | Terminal Voltage with Respect to GND | -0.5 to +4.6            | V    |
| T <sub>BIAS</sub>                | Temperature Under Bias               | -55 to +125             | °C   |
| T <sub>STG</sub>                 | Storage Temperature                  | -65 to +150             | °C   |
| I <sub>OUT</sub>                 | DC Output Current                    | 50                      | mA   |

3603 tbl 05

**NOTES:**

- Stresses greater than those listed under ABSOLUTE MAXIMUM RATINGS may cause permanent damage to the device. This is a stress rating only and functional operation of the device at these or any other conditions above those indicated in the operational sections of this specification is not implied. Exposure to absolute maximum rating conditions for extended periods may affect reliability.
- V<sub>TERM</sub> must not exceed V<sub>DD</sub> + 0.3V for more than 25% of the cycle time or 10ns maximum, and is limited to ≤ 20mA for the period of V<sub>TERM</sub> ≥ V<sub>DD</sub> + 0.3V.

### Capacitance<sup>(1)</sup>

(T<sub>A</sub> = +25°C, f = 1.0mhz) TQFP ONLY

| Symbol                          | Parameter          | Conditions            | Max. | Unit |
|---------------------------------|--------------------|-----------------------|------|------|
| C <sub>IN</sub>                 | Input Capacitance  | V <sub>IN</sub> = 0V  | 9    | pF   |
| C <sub>OUT</sub> <sup>(2)</sup> | Output Capacitance | V <sub>OUT</sub> = 0V | 10   | pF   |

**NOTES:**

- This parameter is determined by device characterization but is not production tested.
- C<sub>OUT</sub> also reference C<sub>IO</sub>.

### Maximum Operating Temperature and Supply Voltage<sup>(1)</sup>

| Grade      | Ambient Temperature | GND | V <sub>DD</sub> |
|------------|---------------------|-----|-----------------|
| Commercial | 0°C to +70°C        | 0V  | 3.3V ± 0.3V     |
| Industrial | -40°C to +85°C      | 0V  | 3.3V ± 0.3V     |

3603 tbl 06

**NOTES:**

- This is the parameter T<sub>A</sub>. This is the "instant on" case temperature.

### Recommended DC Operating Conditions<sup>(1)</sup>

| Symbol          | Parameter          | Min.                | Typ. | Max.                                 | Unit |
|-----------------|--------------------|---------------------|------|--------------------------------------|------|
| V <sub>DD</sub> | Supply Voltage     | 3.0                 | 3.3  | 3.6                                  | V    |
| V <sub>SS</sub> | Ground             | 0                   | 0    | 0                                    | V    |
| V <sub>IH</sub> | Input High Voltage | 2.0                 | —    | V <sub>DD</sub> +0.3V <sup>(2)</sup> | V    |
| V <sub>IL</sub> | Input Low Voltage  | -0.3 <sup>(1)</sup> | —    | 0.8                                  | V    |

3603 tbl 07

**NOTES:**

- V<sub>IL</sub> ≥ -1.5V for pulse width less than 10ns.
- V<sub>TERM</sub> must not exceed V<sub>DD</sub> + 0.3V.

### DC Electrical Characteristics Over the Operating Temperature and Supply Voltage Range (V<sub>DD</sub> = 3.3V ± 0.3V)

| Symbol          | Parameter                            | Test Conditions   | 70V27S |      | 70V27L |      | Unit |
|-----------------|--------------------------------------|---|--------|------|--------|------|------|
|                 |                                      |   | Min.   | Max. | Min.   | Max. |      |
| I <sub>L</sub>  | Input Leakage Current <sup>(1)</sup> | V <sub>DD</sub> = 3.6V, V <sub>IN</sub> = 0V to V <sub>DD</sub>     | —      | 10   | —      | 5    | μA   |
| I <sub>LO</sub> | Output Leakage Current               | $\overline{CE} = V_{IH}$ , V <sub>OUT</sub> = 0V to V <sub>DD</sub> | —      | 10   | —      | 5    | μA   |
| V <sub>OL</sub> | Output Low Voltage                   | I <sub>OL</sub> = 4mA   | —      | 0.4  | —      | 0.4  | V    |
| V <sub>OH</sub> | Output High Voltage                  | I <sub>OH</sub> = -4mA  | 2.4    | —    | 2.4    | —    | V    |

3603 tbl 09

**NOTE:**

- At V<sub>DD</sub> ≤ 2.0V, input leakages are undefined.

## DC Electrical Characteristics Over the Operating Temperature and Supply Voltage Range<sup>(1,6)</sup> ( $V_{DD} = 3.3V \pm 0.3V$ )

| Symbol          | Parameter  | Test Condition   | Version | 70V27X15<br>Com'l & Ind |      | 70V27X20<br>Com'l & Ind |      | 70V27X25<br>Com'l Only |      | Unit |    |
|-----------------|--|--|---------|-------------------------|------|-------------------------|------|------------------------|------|------|----|
|                 |  |  |         | Typ. <sup>(2)</sup>     | Max. | Typ. <sup>(2)</sup>     | Max. | Typ. <sup>(2)</sup>    | Max. |      |    |
| I <sub>DD</sub> | Dynamic Operating Current<br>(Both Ports Active)             | $\overline{CE} = V_{IL}$ , Outputs Disabled<br>$\overline{SEM} = V_{IH}$<br>$f = f_{MAX}^{(3)}$  | COM'L   | S                       | 170  | 260                     | 165  | 255                    | 145  | 245  | mA |
|                 |  |  |         | L                       | 170  | 225                     | 165  | 220                    | 145  | 210  |    |
|                 |  |  | IND'L   | S                       | —    | —                       | —    | —                      | —    | —    |    |
|                 |  |  |         | L                       | 170  | 235                     | 165  | 230                    | —    | —    |    |
| ISB1            | Standby Current<br>(Both Ports - TTL Level Inputs)           | $\overline{CE}_L = \overline{CE}_R = V_{IH}$<br>$\overline{SEM}_R = \overline{SEM}_L = V_{IH}$<br>$f = f_{MAX}^{(3)}$  | COM'L   | S                       | 44   | 70                      | 39   | 60                     | 27   | 50   | mA |
|                 |  |  |         | L                       | 44   | 60                      | 39   | 50                     | 27   | 40   |    |
|                 |  |  | IND'L   | S                       | —    | —                       | —    | —                      | —    | —    |    |
|                 |  |  |         | L                       | 44   | 65                      | 39   | 55                     | —    | —    |    |
| ISB2            | Standby Current<br>(One Port - TTL Level Inputs)             | $\overline{CE}^{*A} = V_{IL}$ and $\overline{CE}^{*B} = V_{IH}^{(5)}$<br>Active Port Outputs Disabled,<br>$f = f_{MAX}^{(3)}$<br>$\overline{SEM}_R = \overline{SEM}_L = V_{IH}$  | COM'L   | S                       | 115  | 160                     | 105  | 155                    | 90   | 150  | mA |
|                 |  |  |         | L                       | 115  | 145                     | 105  | 140                    | 90   | 135  |    |
|                 |  |  | IND'L   | S                       | —    | —                       | —    | —                      | —    | —    |    |
|                 |  |  |         | L                       | 115  | 155                     | 105  | 150                    | —    | —    |    |
| ISB3            | Full Standby Current<br>(Both Ports - All CMOS Level Inputs) | Both Ports $\overline{CE}_L$ and $\overline{CE}_R \geq V_{DD} - 0.2V$<br>$V_{IN} \geq V_{DD} - 0.2V$ or<br>$V_{IN} \leq 0.2V$ , $f = 0^{(4)}$<br>$\overline{SEM}_R = \overline{SEM}_L \geq V_{DD} - 0.2V$  | COM'L   | S                       | 1.0  | 6                       | 1.0  | 6                      | 1.0  | 6    | mA |
|                 |  |  |         | L                       | 0.2  | 3                       | 0.2  | 3                      | 0.2  | 3    |    |
|                 |  |  | IND'L   | S                       | —    | —                       | —    | —                      | —    | —    |    |
|                 |  |  |         | L                       | 0.2  | 6                       | 0.2  | 6                      | —    | —    |    |
| ISB4            | Full Standby Current<br>(One Port - All CMOS Level Inputs)   | $\overline{CE}^{*A} \leq 0.2V$ and $\overline{CE}^{*B} \geq V_{DD} - 0.2V^{(5)}$<br>$\overline{SEM}_R = \overline{SEM}_L \geq V_{DD} - 0.2V$<br>$V_{IN} \geq V_{DD} - 0.2V$ or $V_{IN} \leq 0.2V$<br>Active Port Outputs Disabled<br>$f = f_{MAX}^{(3)}$ | COM'L   | S                       | 115  | 155                     | 105  | 150                    | 90   | 145  | mA |
|                 |  |  |         | L                       | 115  | 140                     | 105  | 135                    | 90   | 130  |    |
|                 |  |  | IND'L   | S                       | —    | —                       | —    | —                      | —    | —    |    |
|                 |  |  |         | L                       | 115  | 150                     | 105  | 145                    | —    | —    |    |

3603 tbl 10a

**NOTES:**

- 'X' in part numbers indicates power rating (S or L).
- $V_{DD} = 3.3V$ ,  $T_A = +25^\circ C$ , and are not production tested.  $I_{DD DC} = 90mA$  (Typ.)
- At  $f = f_{MAX}$ , address and control lines (except Output Enable) are cycling at the maximum frequency read cycle of  $1/t_{rc}$ , and using "AC Test Conditions" of input levels of GND to 3V.
- $f = 0$  means no address or control lines change.
- Port "A" may be either left or right port. Port "B" is the opposite from port "A".
- Refer to Chip Enable Truth Table.

DC Electrical Characteristics Over the Operating Temperature and Supply Voltage Range<sup>(1,6)</sup> (V<sub>DD</sub> = 3.3V ± 0.3V)

| Symbol          | Parameter   | Test Condition   | Version | 70V27X35 Com'l & Ind |      | 70V27X55 Com'l Only |      | Unit |    |
|-----------------|---|--|---------|----------------------|------|---------------------|------|------|----|
|                 |   |  |         | Typ. <sup>(2)</sup>  | Max. | Typ. <sup>(2)</sup> | Max. |      |    |
| I <sub>DD</sub> | Dynamic Operating Current (Both Ports Active)             | $\overline{CE} = V_{IL}$ , Outputs Disabled<br>$\overline{SEM} = V_{IH}$<br>$f = f_{MAX}^{(3)}$  | COM'L   | S                    | 135  | 235                 | 125  | 225  | mA |
|                 |   |  |         | L                    | 135  | 190                 | 125  | 180  |    |
|                 |   |  | IND'L   | S                    | —    | —                   | —    | —    |    |
|                 |   |  |         | L                    | 135  | 235                 | —    | —    |    |
| ISB1            | Standby Current (Both Ports - TTL Level Inputs)           | $\overline{CE}_L = \overline{CE}_R = V_{IH}$<br>$\overline{SEM}_R = \overline{SEM}_L = V_{IH}$<br>$f = f_{MAX}^{(3)}$  | COM'L   | S                    | 22   | 45                  | 15   | 40   | mA |
|                 |   |  |         | L                    | 22   | 35                  | 15   | 30   |    |
|                 |   |  | IND'L   | S                    | —    | —                   | —    | —    |    |
|                 |   |  |         | L                    | 22   | 45                  | —    | —    |    |
| ISB2            | Standby Current (One Port - TTL Level Inputs)             | $\overline{CE}^*A = V_{IL}$ and $\overline{CE}^*B = V_{IH}^{(5)}$<br>Active Port Outputs Disabled,<br>$f = f_{MAX}^{(3)}$<br>$\overline{SEM}_R = \overline{SEM}_L = V_{IH}$  | COM'L   | S                    | 85   | 140                 | 75   | 140  | mA |
|                 |   |  |         | L                    | 85   | 125                 | 75   | 125  |    |
|                 |   |  | IND'L   | S                    | —    | —                   | —    | —    |    |
|                 |   |  |         | L                    | 85   | 140                 | —    | —    |    |
| ISB3            | Full Standby Current (Both Ports - All CMOS Level Inputs) | Both Ports $\overline{CE}_L$ and $\overline{CE}_R \geq V_{DD} - 0.2V$<br>$V_{IN} \geq V_{DD} - 0.2V$ or<br>$V_{IN} \leq 0.2V, f = 0^{(4)}$<br>$\overline{SEM}_R = \overline{SEM}_L \geq V_{DD} - 0.2V$   | COM'L   | S                    | 1.0  | 6                   | 1.0  | 6    | mA |
|                 |   |  |         | L                    | 0.2  | 3                   | 0.2  | 3    |    |
|                 |   |  | IND'L   | S                    | —    | —                   | —    | —    |    |
|                 |   |  |         | L                    | 0.2  | 6                   | —    | —    |    |
| ISB4            | Full Standby Current (One Port - All CMOS Level Inputs)   | $\overline{CE}^*A \leq 0.2V$ and $\overline{CE}^*B \geq V_{DD} - 0.2V^{(5)}$<br>$\overline{SEM}_R = \overline{SEM}_L \geq V_{DD} - 0.2V$<br>$V_{IN} \geq V_{DD} - 0.2V$ or $V_{IN} \leq 0.2V$<br>Active Port Outputs Disabled<br>$f = f_{MAX}^{(3)}$ | COM'L   | S                    | 85   | 135                 | 75   | 135  | mA |
|                 |   |  |         | L                    | 85   | 120                 | 75   | 120  |    |
|                 |   |  | IND'L   | S                    | —    | —                   | —    | —    |    |
|                 |   |  |         | L                    | 85   | 135                 | —    | —    |    |

3603 tbl 10b

NOTES:

- 'X' in part numbers indicates power rating (S or L).
- V<sub>DD</sub> = 3.3V, T<sub>A</sub> = +25°C, and are not production tested. I<sub>DD</sub> DC = 90mA (Typ.)
- At f = f<sub>MAX</sub>, address and control lines (except Output Enable) are cycling at the maximum frequency read cycle of 1/trc, and using "AC Test Conditions" of input levels of GND to 3V.
- f = 0 means no address or control lines change.
- Port "A" may be either left or right port. Port "B" is the opposite from port "A".
- Refer to Chip Enable Truth Table.

AC Test Conditions

|                               |                 |
|-------------------------------|-----------------|
| Input Pulse Levels            | GND to 3.0V     |
| Input Rise/Fall Times         | 3ns Max.        |
| Input Timing Reference Levels | 1.5V            |
| Output Reference Levels       | 1.5V            |
| Output Load                   | Figures 1 and 2 |

3603 tbl 11

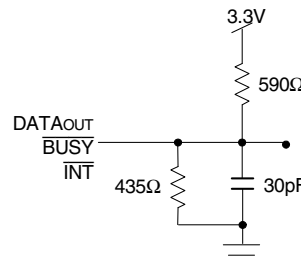
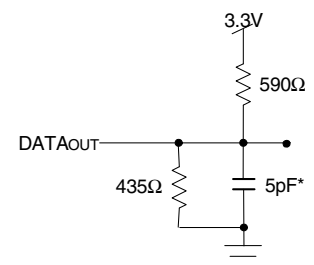


Figure 1. AC Output Test Load



3603 drw 04

Figure 2. Output Test Load (for tLZ, tHZ, tWZ, tOW)

\*Including scope and jig

AC Electrical Characteristics Over the Operating Temperature and Supply Voltage Range<sup>(4)</sup>

| Symbol            | Parameter   | 70V27X15<br>Com'l & Ind |      | 70V27X20<br>Com'l & Ind |      | 70V27X25<br>Com'l Only |      | Unit |
|-------------------|---|-------------------------|------|-------------------------|------|------------------------|------|------|
|                   |   | Min.                    | Max. | Min.                    | Max. | Min.                   | Max. |      |
| <b>READ CYCLE</b> |   |                         |      |                         |      |                        |      |      |
| t <sub>RC</sub>   | Read Cycle Time   | 15                      | —    | 20                      | —    | 25                     | —    | ns   |
| t <sub>AA</sub>   | Address Access Time   | —                       | 15   | —                       | 20   | —                      | 25   | ns   |
| t <sub>ACE</sub>  | Chip Enable Access Time <sup>(3)</sup>                              | —                       | 15   | —                       | 20   | —                      | 25   | ns   |
| t <sub>ABE</sub>  | Byte Enable Access Time <sup>(3)</sup>                              | —                       | 15   | —                       | 20   | —                      | 25   | ns   |
| t <sub>AOE</sub>  | Output Enable Access Time   | —                       | 10   | —                       | 12   | —                      | 15   | ns   |
| t <sub>OH</sub>   | Output Hold from Address Change                                     | 3                       | —    | 3                       | —    | 3                      | —    | ns   |
| t <sub>LZ</sub>   | Output Low-Z Time <sup>(1,2)</sup>                                  | 3                       | —    | 3                       | —    | 3                      | —    | ns   |
| t <sub>HZ</sub>   | Output High-Z Time <sup>(1,2)</sup>                                 | —                       | 12   | —                       | 12   | —                      | 15   | ns   |
| t <sub>PU</sub>   | Chip Enable to Power Up Time <sup>(2,5)</sup>                       | 0                       | —    | 0                       | —    | 0                      | —    | ns   |
| t <sub>PD</sub>   | Chip Disable to Power Down Time <sup>(2,5)</sup>                    | —                       | 15   | —                       | 20   | —                      | 25   | ns   |
| t <sub>SOP</sub>  | Semaphore Flag Update Pulse ( $\overline{OE}$ or $\overline{SEM}$ ) | 10                      | —    | 10                      | —    | 15                     | —    | ns   |
| t <sub>SAA</sub>  | Semaphore Address Access Time                                       | —                       | 15   | —                       | 20   | —                      | 35   | ns   |

3603 tbl 12a

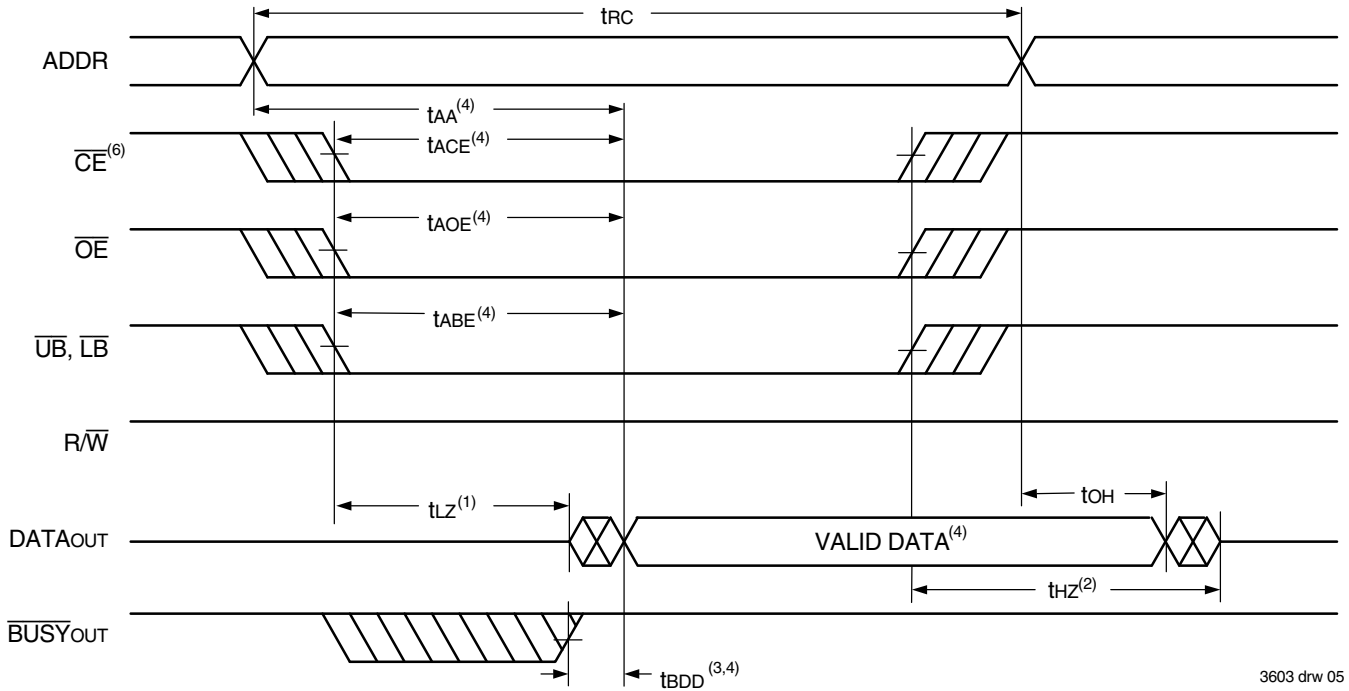
| Symbol            | Parameter   | 70V27X35<br>Com'l & Ind |      | 70V27X55<br>Com'l Only |      | Unit |
|-------------------|---|-------------------------|------|------------------------|------|------|
|                   |   | Min.                    | Max. | Min.                   | Max. |      |
| <b>READ CYCLE</b> |   |                         |      |                        |      |      |
| t <sub>RC</sub>   | Read Cycle Time   | 35                      | —    | 55                     | —    | ns   |
| t <sub>AA</sub>   | Address Access Time   | —                       | 35   | —                      | 55   | ns   |
| t <sub>ACE</sub>  | Chip Enable Access Time <sup>(3)</sup>                              | —                       | 35   | —                      | 55   | ns   |
| t <sub>ABE</sub>  | Byte Enable Access Time <sup>(3)</sup>                              | —                       | 35   | —                      | 55   | ns   |
| t <sub>AOE</sub>  | Output Enable Access Time   | —                       | 20   | —                      | 30   | ns   |
| t <sub>OH</sub>   | Output Hold from Address Change                                     | 3                       | —    | 3                      | —    | ns   |
| t <sub>LZ</sub>   | Output Low-Z Time <sup>(1,2)</sup>                                  | 3                       | —    | 3                      | —    | ns   |
| t <sub>HZ</sub>   | Output High-Z Time <sup>(1,2)</sup>                                 | —                       | 20   | —                      | 25   | ns   |
| t <sub>PU</sub>   | Chip Enable to Power Up Time <sup>(2,5)</sup>                       | 0                       | —    | 0                      | —    | ns   |
| t <sub>PD</sub>   | Chip Disable to Power Down Time <sup>(2,5)</sup>                    | —                       | 45   | —                      | 50   | ns   |
| t <sub>SOP</sub>  | Semaphore Flag Update Pulse ( $\overline{OE}$ or $\overline{SEM}$ ) | 15                      | —    | 15                     | —    | ns   |
| t <sub>SAA</sub>  | Semaphore Address Access Time                                       | —                       | 45   | —                      | 65   | ns   |

3603 tbl 12b

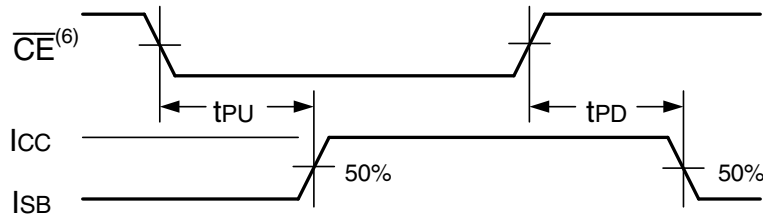
## NOTES:

1. Transition is measured 0mV from Low or High-impedance voltage with Output Test Load (Figure 2).
2. This parameter is guaranteed by device characterization, but is not production tested.
3. To access RAM,  $\overline{CE} = V_{IL}$  and  $\overline{SEM} = V_{IH}$ . To access semaphore,  $\overline{CE} = V_{IH}$  and  $\overline{SEM} = V_{IL}$ .
4. 'X' in part numbers indicates power rating (S or L).
5. Refer to Chip Enable Truth Table.

Waveform of Read Cycles<sup>(5)</sup>



Timing of Power-Up Power-Down



NOTES:

1. Timing depends on which signal is asserted last:  $\overline{CE}$ ,  $\overline{OE}$ ,  $\overline{LB}$ , or  $\overline{UB}$ .
2. Timing depends on which signal is de-asserted first:  $\overline{CE}$ ,  $\overline{OE}$ ,  $\overline{LB}$ , or  $\overline{UB}$ .
3. t<sub>BDD</sub> delay is required only in cases where the opposite port is completing a write operation to the same address location. For simultaneous read operations  $\overline{BUSY}$  has no relation to valid output data.
4. Start of valid data depends on which timing becomes effective last t<sub>AOE</sub>, t<sub>ACE</sub>, t<sub>AA</sub> or t<sub>BDD</sub>.
5.  $\overline{SEM} = V_{IH}$ .
6. Refer to Chip Enable Truth Table.

## AC Electrical Characteristics Over the Operating Temperature and Supply Voltage<sup>(5)</sup>

| Symbol             | Parameter  | 70V27X15<br>Com'l & Ind |      | 70V27X20<br>Com'l & Ind |      | 70V27X25<br>Com'l Only |      | Unit |
|--------------------|--|-------------------------|------|-------------------------|------|------------------------|------|------|
|                    |  | Min.                    | Max. | Min.                    | Max. | Min.                   | Max. |      |
| <b>WRITE CYCLE</b> |  |                         |      |                         |      |                        |      |      |
| t <sub>WC</sub>    | Write Cycle Time                                   | 15                      | —    | 20                      | —    | 25                     | —    | ns   |
| t <sub>EW</sub>    | Chip Enable to End-of-Write <sup>(3)</sup>         | 12                      | —    | 15                      | —    | 20                     | —    | ns   |
| t <sub>AW</sub>    | Address Valid to End-of-Write                      | 12                      | —    | 15                      | —    | 20                     | —    | ns   |
| t <sub>AS</sub>    | Address Set-up Time <sup>(3)</sup>                 | 0                       | —    | 0                       | —    | 0                      | —    | ns   |
| t <sub>WP</sub>    | Write Pulse Width                                  | 12                      | —    | 15                      | —    | 20                     | —    | ns   |
| t <sub>WR</sub>    | Write Recovery Time                                | 0                       | —    | 0                       | —    | 0                      | —    | ns   |
| t <sub>DW</sub>    | Data Valid to End-of-Write                         | 10                      | —    | 15                      | —    | 15                     | —    | ns   |
| t <sub>HZ</sub>    | Output High-Z Time <sup>(1,2)</sup>                | —                       | 10   | —                       | 10   | —                      | 15   | ns   |
| t <sub>DH</sub>    | Data Hold Time <sup>(4)</sup>                      | 0                       | —    | 0                       | —    | 0                      | —    | ns   |
| t <sub>WZ</sub>    | Write Enable to Output in High-Z <sup>(1,2)</sup>  | —                       | 10   | —                       | 10   | —                      | 15   | ns   |
| t <sub>OW</sub>    | Output Active from End-of-Write <sup>(1,2,4)</sup> | 0                       | —    | 0                       | —    | 0                      | —    | ns   |
| t <sub>SWRD</sub>  | $\overline{\text{SEM}}$ Flag Write to Read Time    | 5                       | —    | 5                       | —    | 5                      | —    | ns   |
| t <sub>SPS</sub>   | $\overline{\text{SEM}}$ Flag Contention Window     | 5                       | —    | 5                       | —    | 5                      | —    | ns   |

3603 tbl 13a

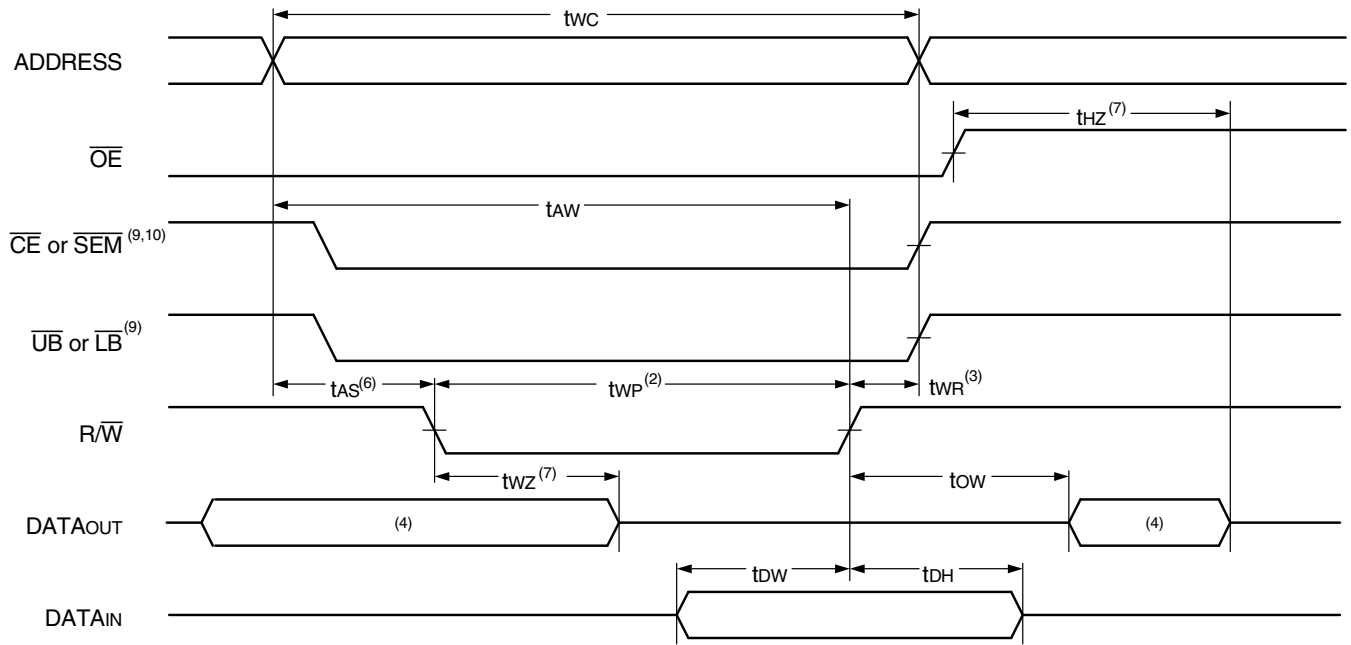
| Symbol             | Parameter  | 70V27X35<br>Com'l & Ind |      | 70V27X55<br>Com'l Only |      | Unit |
|--------------------|--|-------------------------|------|------------------------|------|------|
|                    |  | Min.                    | Max. | Min.                   | Max. |      |
| <b>WRITE CYCLE</b> |  |                         |      |                        |      |      |
| t <sub>WC</sub>    | Write Cycle Time                                   | 35                      | —    | 55                     | —    | ns   |
| t <sub>EW</sub>    | Chip Enable to End-of-Write <sup>(3)</sup>         | 30                      | —    | 45                     | —    | ns   |
| t <sub>AW</sub>    | Address Valid to End-of-Write                      | 30                      | —    | 45                     | —    | ns   |
| t <sub>AS</sub>    | Address Set-up Time <sup>(3)</sup>                 | 0                       | —    | 0                      | —    | ns   |
| t <sub>WP</sub>    | Write Pulse Width                                  | 25                      | —    | 40                     | —    | ns   |
| t <sub>WR</sub>    | Write Recovery Time                                | 0                       | —    | 0                      | —    | ns   |
| t <sub>DW</sub>    | Data Valid to End-of-Write                         | 20                      | —    | 30                     | —    | ns   |
| t <sub>HZ</sub>    | Output High-Z Time <sup>(1,2)</sup>                | —                       | 20   | —                      | 25   | ns   |
| t <sub>DH</sub>    | Data Hold Time <sup>(4)</sup>                      | 0                       | —    | 0                      | —    | ns   |
| t <sub>WZ</sub>    | Write Enable to Output in High-Z <sup>(1,2)</sup>  | —                       | 20   | —                      | 25   | ns   |
| t <sub>OW</sub>    | Output Active from End-of-Write <sup>(1,2,4)</sup> | 0                       | —    | 0                      | —    | ns   |
| t <sub>SWRD</sub>  | $\overline{\text{SEM}}$ Flag Write to Read Time    | 5                       | —    | 5                      | —    | ns   |
| t <sub>SPS</sub>   | $\overline{\text{SEM}}$ Flag Contention Window     | 5                       | —    | 5                      | —    | ns   |

3603 tbl 13b

**NOTES:**

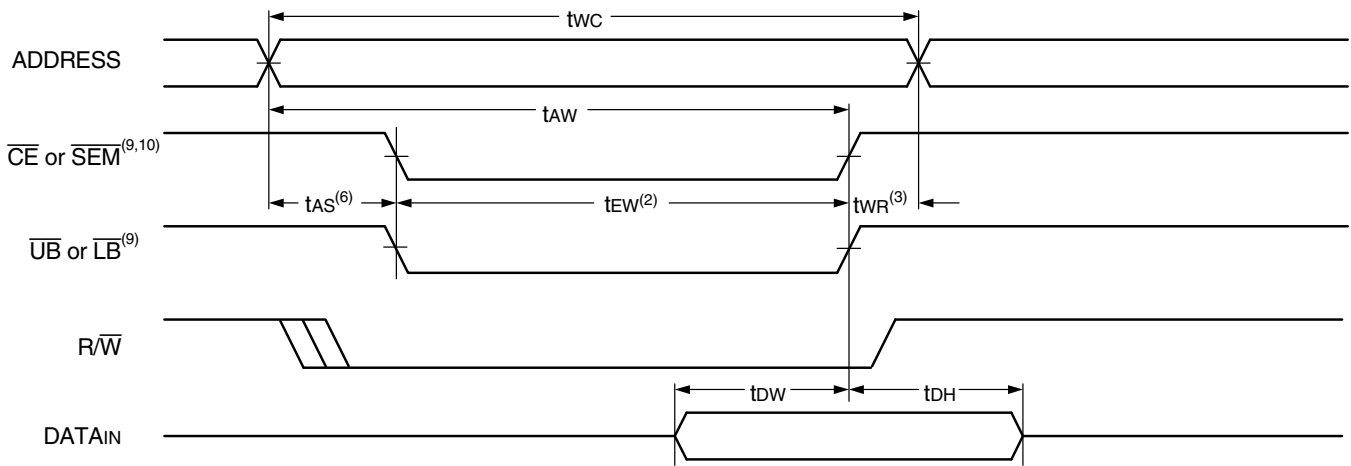
- Transition is measured 0mV from Low or High-impedance voltage with Output Test Load (Figure 2).
- This parameter is guaranteed by device characterization, but is not production tested.
- To access RAM  $\overline{\text{CE}} = \text{VIL}$  and  $\overline{\text{SEM}} = \text{VIH}$ . To access semaphore,  $\overline{\text{CE}} = \text{VIH}$  and  $\overline{\text{SEM}} = \text{VIL}$ . Either condition must be valid for the entire t<sub>EW</sub> time. Refer to Chip Enable Truth Table.
- The specification for t<sub>DH</sub> must be met by the device supplying write data to the RAM under all operating conditions. Although t<sub>DH</sub> and t<sub>OW</sub> values will vary over voltage and temperature, the actual t<sub>DH</sub> will always be smaller than the actual t<sub>OW</sub>.
- 'X' in part numbers indicates power rating (S or L).

Timing Waveform of Write Cycle No. 1,  $R/\overline{W}$  Controlled Timing<sup>(1,5,8)</sup>



3603 drw 07

Timing Waveform of Write Cycle No. 2,  $\overline{CE}$ ,  $\overline{UB}$ ,  $\overline{LB}$  Controlled Timing<sup>(1,5)</sup>

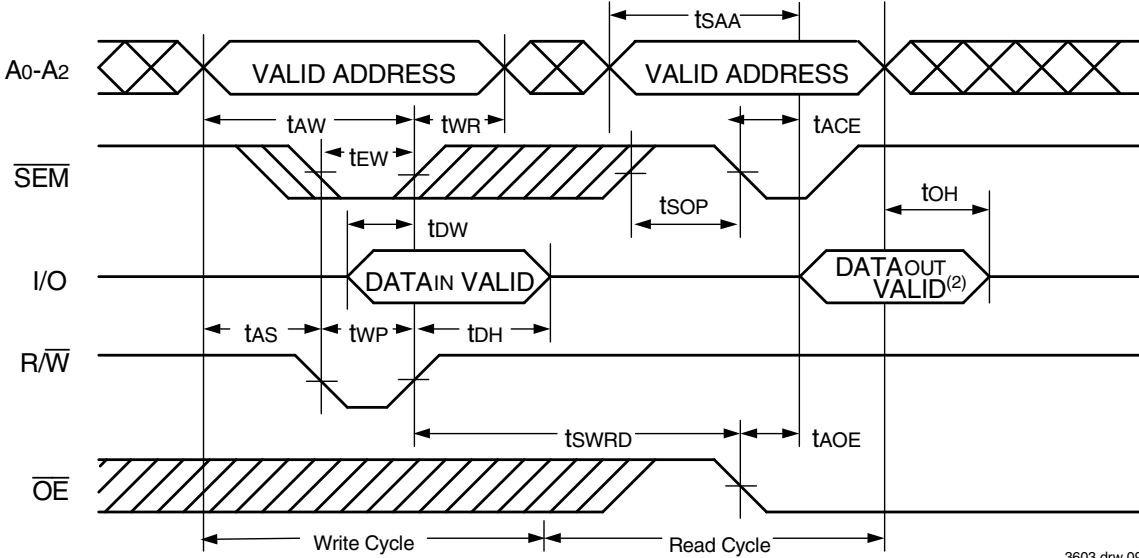


3603 drw 08

NOTES:

1.  $R/\overline{W}$  or  $\overline{CE}$  or  $\overline{UB}$  and  $\overline{LB}$  must be HIGH during all address transitions.
2. A write occurs during the overlap ( $t_{EW}$  or  $t_{WP}$ ) of a LOW  $\overline{CE}$  and a LOW  $R/\overline{W}$  for memory array writing cycle.
3.  $t_{WR}$  is measured from the earlier of  $\overline{CE}$  or  $R/\overline{W}$  (or  $\overline{SEM}$  or  $R/\overline{W}$ ) going HIGH to the end of write cycle.
4. During this period, the I/O pins are in the output state and input signals must not be applied.
5. If the  $\overline{CE}$  or  $\overline{SEM}$  LOW transition occurs simultaneously with or after the  $R/\overline{W}$  LOW transition, the outputs remain in the High-impedance state.
6. Timing depends on which enable signal is asserted last,  $\overline{CE}$  or  $R/\overline{W}$ .
7. This parameter is guaranteed by device characterization, but is not production tested. Transition is measured 0mV from steady state with the Output Test Load (Figure 2).
8. If  $\overline{OE}$  is LOW during  $R/\overline{W}$  controlled write cycle, the write pulse width must be the larger of  $t_{WP}$  or ( $t_{WZ} + t_{DW}$ ) to allow the I/O drivers to turn off and data to be placed on the bus for the required  $t_{OW}$ . If  $\overline{OE}$  is HIGH during an  $R/\overline{W}$  controlled write cycle, this requirement does not apply and the write pulse can be as short as the specified  $t_{WP}$ .
9. To access RAM,  $\overline{CE} = V_{IL}$  and  $\overline{SEM} = V_{IH}$ . To access semaphore,  $\overline{CE} = V_{IH}$  and  $\overline{SEM} = V_{IL}$ .  $t_{EW}$  must be met for either condition.
10. Refer to Chip Enable Truth Table.

### Timing Waveform of Semaphore Read after Write Timing, Either Side<sup>(1)</sup>

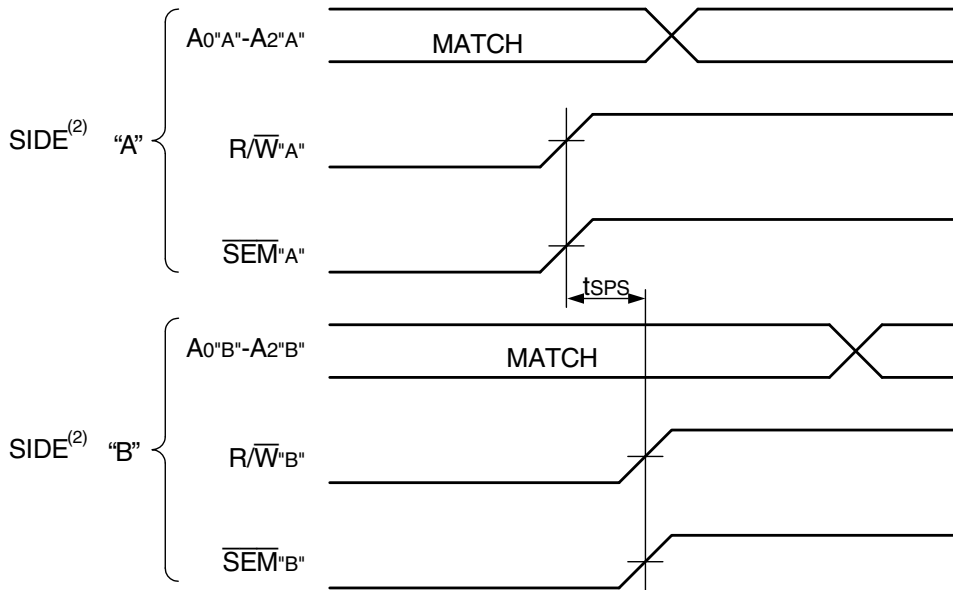


3603 drw 09

**NOTES:**

1.  $\overline{CE} = V_{IH}$  or  $\overline{UB}$  and  $\overline{LB} = V_{IH}$  for the duration of the above timing (both write and read cycle), refer to Chip Enable Truth Table.
2. "DATAOUT VALID<sup>(2)</sup>" represents all I/O's (I/O<sub>0</sub>-I/O<sub>15</sub>) equal to the semaphore value.

### Timing Waveform of Semaphore Write Contention<sup>(1,3,4)</sup>



3603 drw 10

**NOTES:**

1.  $DOR = DOL = V_{IL}$ ,  $\overline{CE}_R = \overline{CE}_L = V_{IH}$ , or both  $\overline{UB}$  &  $\overline{LB} = V_{IH}$  (refer to Chip Enable Truth Table).
2. All timing is the same for left and right ports. Port "A" may be either left or right port. Port "B" is the opposite from port "A".
3. This parameter is measured from  $R/\overline{W}^A$  or  $\overline{SEM}^A$  going HIGH to  $R/\overline{W}^B$  or  $\overline{SEM}^B$  going HIGH.
4. If tSPS is not satisfied, there is no guarantee which side will be granted the semaphore flag.

### AC Electrical Characteristics Over the Operating Temperature and Supply Voltage Range<sup>(6)</sup>

| Symbol   | Parameter  | 70V27X15<br>Com'l & Ind |      | 70V27X20<br>Com'l & Ind |      | 70V27X25<br>Com'l Only |      | Unit |
|--|--|-------------------------|------|-------------------------|------|------------------------|------|------|
|  |  | Min.                    | Max. | Min.                    | Max. | Min.                   | Max. |      |
| <b>BUSY TIMING (M<math>\bar{S}</math>=VIH)</b> |  |                         |      |                         |      |                        |      |      |
| tBAA   | $\bar{B}USY$ Access Time from Address Match        | —                       | 15   | —                       | 20   | —                      | 25   | ns   |
| tBDA   | $\bar{B}USY$ Disable Time from Address Not Matched | —                       | 15   | —                       | 20   | —                      | 25   | ns   |
| tBAC   | $\bar{B}USY$ Access Time from Chip Enable Low      | —                       | 15   | —                       | 20   | —                      | 25   | ns   |
| tBDC   | $\bar{B}USY$ Disable Time from Chip Enable High    | —                       | 15   | —                       | 20   | —                      | 25   | ns   |
| tAPS   | Arbitration Priority Set-up Time <sup>(2)</sup>    | 5                       | —    | 5                       | —    | 5                      | —    | ns   |
| tBDD   | $\bar{B}USY$ Disable to Valid Data <sup>(3)</sup>  | —                       | 17   | —                       | 35   | —                      | 35   | ns   |
| tWH  | Write Hold After $\bar{B}USY$ <sup>(5)</sup>       | 12                      | —    | 15                      | —    | 20                     | —    | ns   |
| <b>BUSY TIMING (M<math>\bar{S}</math>=VIL)</b> |  |                         |      |                         |      |                        |      |      |
| tWB  | $\bar{B}USY$ Input to Write <sup>(4)</sup>         | 0                       | —    | 0                       | —    | 0                      | —    | ns   |
| tWH  | Write Hold After $\bar{B}USY$ <sup>(5)</sup>       | 12                      | —    | 15                      | —    | 20                     | —    | ns   |
| <b>PORT-TO-PORT DELAY TIMING</b>               |  |                         |      |                         |      |                        |      |      |
| tWDD   | Write Pulse to Data Delay <sup>(1)</sup>           | —                       | 30   | —                       | 45   | —                      | 55   | ns   |
| tDDD   | Write Data Valid to Read Data Delay <sup>(1)</sup> | —                       | 25   | —                       | 30   | —                      | 50   | ns   |

3603 tbl 14a

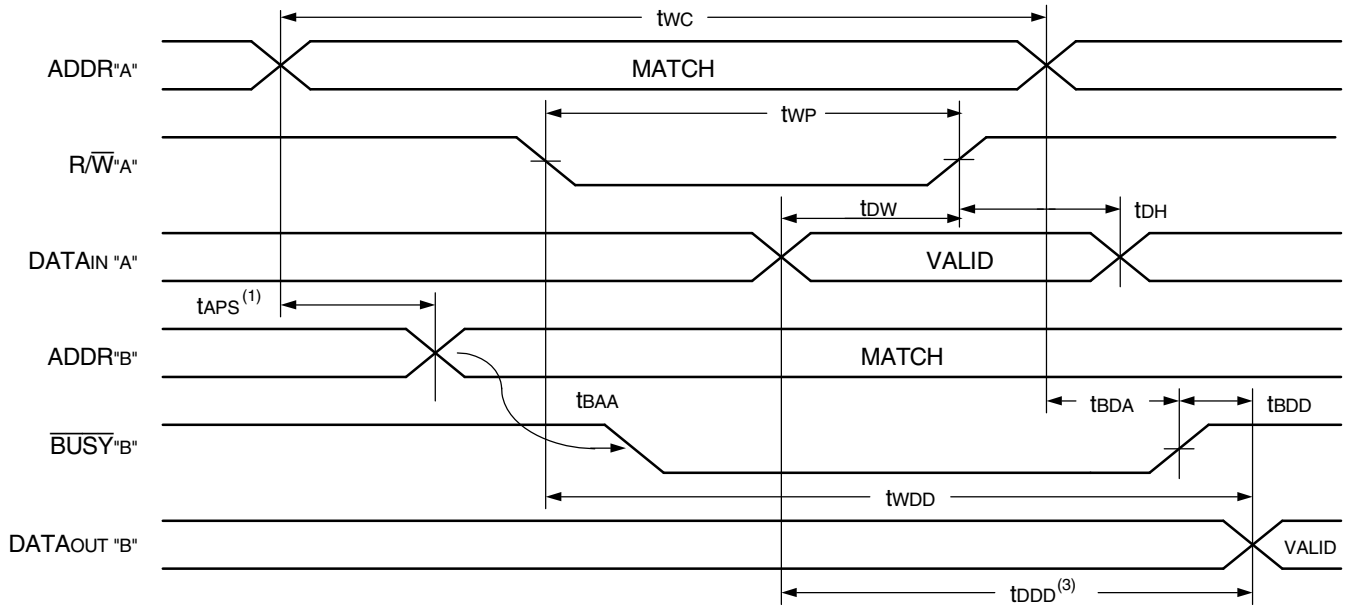
| Symbol   | Parameter  | 70V27X35<br>Com'l & Ind |      | 70V27X55<br>Com'l Only |      | Unit |
|--|--|-------------------------|------|------------------------|------|------|
|  |  | Min.                    | Max. | Min.                   | Max. |      |
| <b>BUSY TIMING (M<math>\bar{S}</math>=VIH)</b> |  |                         |      |                        |      |      |
| tBAA   | $\bar{B}USY$ Access Time from Address Match        | —                       | 35   | —                      | 45   | ns   |
| tBDA   | $\bar{B}USY$ Disable Time from Address Not Matched | —                       | 35   | —                      | 45   | ns   |
| tBAC   | $\bar{B}USY$ Access Time from Chip Enable Low      | —                       | 35   | —                      | 45   | ns   |
| tBDC   | $\bar{B}USY$ Disable Time from Chip Enable High    | —                       | 35   | —                      | 45   | ns   |
| tAPS   | Arbitration Priority Set-up Time <sup>(2)</sup>    | 5                       | —    | 5                      | —    | ns   |
| tBDD   | $\bar{B}USY$ Disable to Valid Data <sup>(3)</sup>  | —                       | 40   | —                      | 50   | ns   |
| tWH  | Write Hold After $\bar{B}USY$ <sup>(5)</sup>       | 25                      | —    | 25                     | —    | ns   |
| <b>BUSY TIMING (M<math>\bar{S}</math>=VIL)</b> |  |                         |      |                        |      |      |
| tWB  | $\bar{B}USY$ Input to Write <sup>(4)</sup>         | 0                       | —    | 0                      | —    | ns   |
| tWH  | Write Hold After $\bar{B}USY$ <sup>(5)</sup>       | 25                      | —    | 25                     | —    | ns   |
| <b>PORT-TO-PORT DELAY TIMING</b>               |  |                         |      |                        |      |      |
| tWDD   | Write Pulse to Data Delay <sup>(1)</sup>           | —                       | 65   | —                      | 85   | ns   |
| tDDD   | Write Data Valid to Read Data Delay <sup>(1)</sup> | —                       | 60   | —                      | 80   | ns   |

3603 tbl 14b

**NOTES:**

1. Port-to-port delay through RAM cells from writing port to reading port, refer to "Timing Waveform of Write with Port-to-Port Read and  $\bar{B}USY$  (M $\bar{S}$  = VIH)".
2. To ensure that the earlier of the two ports wins.
3. tBDD is a calculated parameter and is the greater of 0, tWDD – tWP (actual), or tDDD – tDW (actual).
4. To ensure that the write cycle is inhibited on port "B" during contention on port "A".
5. To ensure that a write cycle is completed on port "B" after contention on port "A".
6. 'X' in part numbers indicates power rating (S or L).

Timing Waveform of Write with Port-to-Port Read and **BUSY**<sup>(2,5)</sup> ( $M/\bar{S} = V_{IH}$ )<sup>(4)</sup>

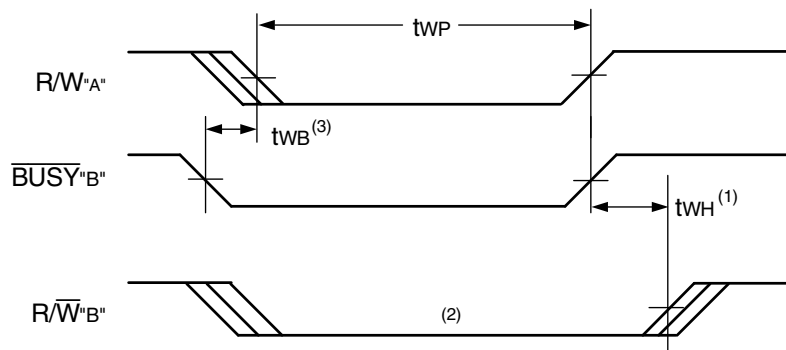


3603 drw 11

NOTES:

1. To ensure that the earlier of the two ports wins,  $t_{APS}$  is ignored for  $M/\bar{S} = V_{IL}$  (SLAVE).
2.  $\bar{C}E_L = \bar{C}E_R = V_{IL}$  (refer to Chip Enable Truth Table).
3.  $\bar{O}E = V_{IL}$  for the reading port.
4. If  $M/\bar{S} = V_{IL}$  (SLAVE), then  $\bar{B}USY$  is an input. Then for this example  $\bar{B}USY$  "A" =  $V_{IH}$  and  $\bar{B}USY$  "B" = input is shown above.
5. All timing is the same for left and right ports. Port "A" may be either the left or right port. Port "B" is the port opposite from port "A".

Timing Waveform Write with **BUSY** ( $M/\bar{S} = V_{IL}$ )

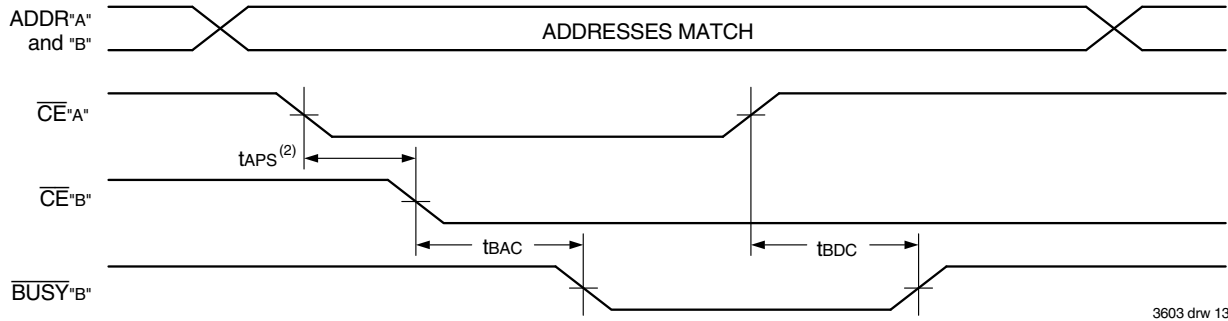


3603 drw 12

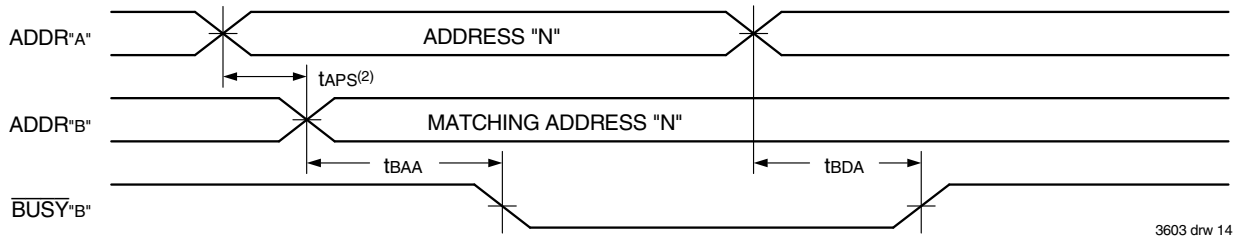
NOTES:

1.  $t_{WH}$  must be met for both  $\bar{B}USY$  input (SLAVE) and output (MASTER).
2.  $\bar{B}USY$  is asserted on port "B" blocking  $R/\bar{W}$ "B", until  $\bar{B}USY$ "B" goes HIGH.
3.  $t_{wB}$  is only for the "Slave" version.

Waveform of **BUSY** Arbitration Controlled by **CE** Timing ( $M/\bar{S} = V_{IH}$ )<sup>(1,3)</sup>



Waveform of **BUSY** Arbitration Cycle Controlled by Address Match Timing ( $M/\bar{S} = V_{IH}$ )<sup>(1)</sup>



NOTES:

1. All timing is the same for left and right ports. Port "A" may be either the left or right port. Port "B" is the port opposite from port "A".
2. If tAPS is not satisfied, the busy signal will be asserted on one side or another but there is no guarantee on which side busy will be asserted.
3. Refer to Chip Enable Truth Table.

AC Electrical Characteristics Over the Operating Temperature and Supply Voltage Range<sup>(1)</sup>

| Symbol                  | Parameter            | 70V27X15<br>Com'l & Ind |      | 70V27X20<br>Com'l & Ind |      | 70V27X25<br>Com'l Only |      | Unit |
|-------------------------|----------------------|-------------------------|------|-------------------------|------|------------------------|------|------|
|                         |                      | Min.                    | Max. | Min.                    | Max. | Min.                   | Max. |      |
| <b>INTERRUPT TIMING</b> |                      |                         |      |                         |      |                        |      |      |
| tAS                     | Address Set-up Time  | 0                       | —    | 0                       | —    | 0                      | —    | ns   |
| tWR                     | Write Recovery Time  | 0                       | —    | 0                       | —    | 0                      | —    | ns   |
| tINS                    | Interrupt Set Time   | —                       | 15   | —                       | 20   | —                      | 25   | ns   |
| tINR                    | Interrupt Reset Time | —                       | 20   | —                       | 20   | —                      | 35   | ns   |

3603 tbl 15a

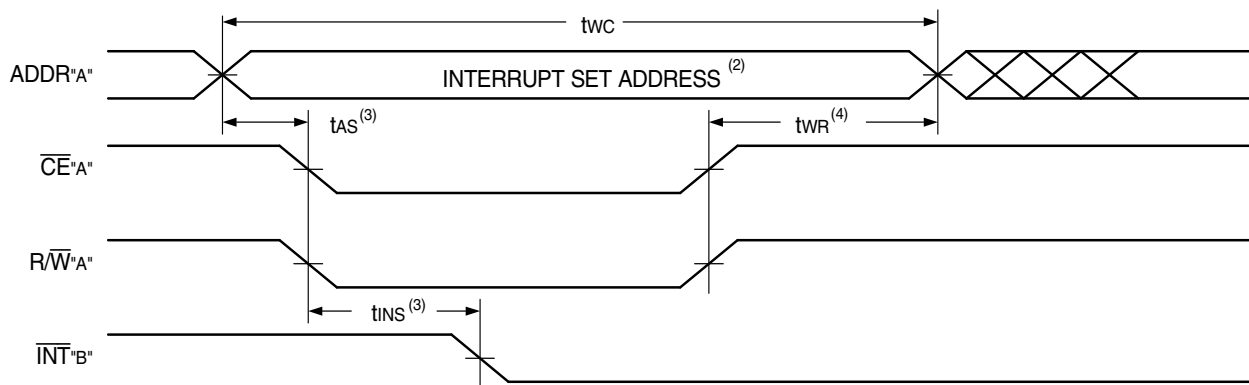
| Symbol                  | Parameter            | 70V27X35<br>Com'l & Ind |      | 70V27X55<br>Com'l Only |      | Unit |
|-------------------------|----------------------|-------------------------|------|------------------------|------|------|
|                         |                      | Min.                    | Max. | Min.                   | Max. |      |
| <b>INTERRUPT TIMING</b> |                      |                         |      |                        |      |      |
| tAS                     | Address Set-up Time  | 0                       | —    | 0                      | —    | ns   |
| tWR                     | Write Recovery Time  | 0                       | —    | 0                      | —    | ns   |
| tINS                    | Interrupt Set Time   | —                       | 30   | —                      | 40   | ns   |
| tINR                    | Interrupt Reset Time | —                       | 35   | —                      | 45   | ns   |

3603 tbl 15b

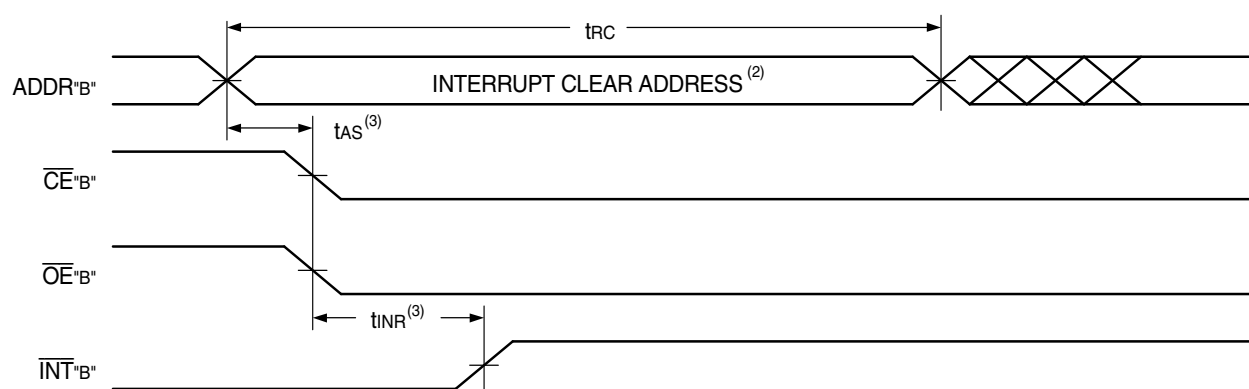
NOTES:

1. 'X' in part numbers indicates power rating (S or L).

### Waveform of Interrupt Timing<sup>(1,5)</sup>



3603 drw 15



3603 drw 16

**NOTES:**

1. All timing is the same for left and right ports. Port "A" may be either the left or right port. Port "B" is the port opposite from port "A".
2. See Interrupt Truth Table.
3. Timing depends on which enable signal ( $\overline{CE}$  or  $R/\overline{W}$ ) is asserted last.
4. Timing depends on which enable signal ( $\overline{CE}$  or  $R/\overline{W}$ ) is de-asserted first.
5. Refer to Chip Enable Truth Table.

### Truth Table IV — Interrupt Flag<sup>(1,4)</sup>

| Left Port        |                 |                 |                                 |                  | Right Port       |                 |                 |                                 |                  | Function                          |
|------------------|-----------------|-----------------|---------------------------------|------------------|------------------|-----------------|-----------------|---------------------------------|------------------|-----------------------------------|
| R/W <sub>L</sub> | CE <sub>L</sub> | OE <sub>L</sub> | A <sub>14L-A<sub>0L</sub></sub> | INT <sub>L</sub> | R/W <sub>R</sub> | CE <sub>R</sub> | OE <sub>R</sub> | A <sub>14R-A<sub>0R</sub></sub> | INT <sub>R</sub> |                                   |
| L                | L               | X               | 7FFF                            | X                | X                | X               | X               | X                               | L <sup>(2)</sup> | Set Right INT <sub>R</sub> Flag   |
| X                | X               | X               | X                               | X                | X                | L               | L               | 7FFF                            | H <sup>(3)</sup> | Reset Right INT <sub>R</sub> Flag |
| X                | X               | X               | X                               | L <sup>(3)</sup> | L                | L               | X               | 7FFE                            | X                | Set Left INT <sub>L</sub> Flag    |
| X                | L               | L               | 7FFE                            | H <sup>(2)</sup> | X                | X               | X               | X                               | X                | Reset Left INT <sub>L</sub> Flag  |

3603 tbl 16

**NOTES:**

1. Assumes  $\overline{BUSY}_L = \overline{BUSY}_R = V_{IH}$ .
2. If  $\overline{BUSY}_L = V_{IL}$ , then no change.
3. If  $\overline{BUSY}_R = V_{IL}$ , then no change.
4. Refer to Chip Enable Truth Table.

Truth Table V — Address **BUSY** Arbitration<sup>(4)</sup>

| Inputs            |                   |  | Outputs                   |                           | Function                     |
|-------------------|-------------------|--|---------------------------|---------------------------|------------------------------|
| $\overline{CE}_L$ | $\overline{CE}_R$ | A <sub>0L</sub> -A <sub>14L</sub><br>A <sub>0R</sub> -A <sub>14R</sub> | $\overline{BUSY}_L^{(1)}$ | $\overline{BUSY}_R^{(1)}$ |                              |
| X                 | X                 | NO MATCH   | H                         | H                         | Normal                       |
| H                 | X                 | MATCH  | H                         | H                         | Normal                       |
| X                 | H                 | MATCH  | H                         | H                         | Normal                       |
| L                 | L                 | MATCH  | (2)                       | (2)                       | Write Inhibit <sup>(3)</sup> |

3603 tbl 17

NOTES:

1. Pins  $\overline{BUSY}_L$  and  $\overline{BUSY}_R$  are both outputs when the part is configured as a master. Both are inputs when configured as a slave.  $\overline{BUSY}$  outputs on the IDT70V27 are push-pull, not open drain outputs. On slaves the  $\overline{BUSY}$  input internally inhibits writes.
2. "L" if the inputs to the opposite port were stable prior to the address and enable inputs of this port. "H" if the inputs to the opposite port became stable after the address and enable inputs of this port. If TAPS is not met, either  $\overline{BUSY}_L$  or  $\overline{BUSY}_R$  = LOW will result.  $\overline{BUSY}_L$  and  $\overline{BUSY}_R$  outputs can not be LOW simultaneously.
3. Writes to the left port are internally ignored when  $\overline{BUSY}_L$  outputs are driving LOW regardless of actual logic level on the pin. Writes to the right port are internally ignored when  $\overline{BUSY}_R$  outputs are driving LOW regardless of actual logic level on the pin.
4. Refer to Chip Enable Truth Table.

Truth Table VI — Example of Semaphore Procurement Sequence<sup>(1,2)</sup>

| Functions                          | D0 - D15 Left | D0 - D15 Right | Status   |
|------------------------------------|---------------|----------------|--|
| No Action                          | 1             | 1              | Semaphore free   |
| Left Port Writes "0" to Semaphore  | 0             | 1              | Left port has semaphore token                          |
| Right Port Writes "0" to Semaphore | 0             | 1              | No change. Right side has no write access to semaphore |
| Left Port Writes "1" to Semaphore  | 1             | 0              | Right port obtains semaphore token                     |
| Left Port Writes "0" to Semaphore  | 1             | 0              | No change. Left port has no write access to semaphore  |
| Right Port Writes "1" to Semaphore | 0             | 1              | Left port obtains semaphore token                      |
| Left Port Writes "1" to Semaphore  | 1             | 1              | Semaphore free   |
| Right Port Writes "0" to Semaphore | 1             | 0              | Right port has semaphore token                         |
| Right Port Writes "1" to Semaphore | 1             | 1              | Semaphore free   |
| Left Port Writes "0" to Semaphore  | 0             | 1              | Left port has semaphore token                          |
| Left Port Writes "1" to Semaphore  | 1             | 1              | Semaphore free   |

3603 tbl 18

NOTES:

1. This table denotes a sequence of events for only one of the eight semaphores on the IDT70V27.
2. There are eight semaphore flags written to via I/O<sub>0</sub> and read from all the I/O's (I/O<sub>0</sub>-I/O<sub>15</sub>). These eight semaphores are addressed by A<sub>0</sub> - A<sub>2</sub>.

## Functional Description

The IDT70V27 provides two ports with separate control, address and I/O pins that permit independent access for reads or writes to any location in memory. The IDT70V27 has an automatic power down feature controlled by  $\overline{CE}_0$  and  $CE_1$ . The  $\overline{CE}_0$  and  $CE_1$  control the on-chip power down circuitry that permits the respective port to go into a standby mode when not selected ( $\overline{CE}$  HIGH). When a port is enabled, access to the entire memory array is permitted.

7FFE when  $\overline{CE}_L = \overline{OE}_L = V_{IL}$ ,  $R/\overline{W}$  is a "don't care". Likewise, the right port interrupt flag ( $\overline{INT}_R$ ) is asserted when the left port writes to memory location 7FFF (HEX) and to clear the interrupt flag ( $\overline{INT}_R$ ), the right port must read the memory location 7FFF. The message (16 bits) at 7FFE or 7FFF is user-defined since it is an addressable SRAM location. If the interrupt function is not used, address locations 7FFE and 7FFF are not used as mail boxes, but as part of the random access memory. Refer to Truth Table IV for the interrupt operation.

## Interrupts

If the user chooses the interrupt function, a memory location (mail box or message center) is assigned to each port. The left port interrupt flag ( $\overline{INT}_L$ ) is asserted when the right port writes to memory location 7FFE (HEX), where a write is defined as  $\overline{CE}_R = R/\overline{W}_R = V_{IL}$  per the Truth Table IV. The left port clears the interrupt through access of address location

## Busy Logic

Busy Logic provides a hardware indication that both ports of the RAM have accessed the same location at the same time. It also allows one of the two accesses to proceed and signals the other side that the RAM is "Busy". The  $\overline{BUSY}$  pin can then be used to stall the access until the operation on

the other side is completed. If a write operation has been attempted from the side that receives a **BUSY** indication, the write signal is gated internally to prevent the write from proceeding.

The use of **BUSY** logic is not required or desirable for all applications. In some cases it may be useful to logically OR the **BUSY** outputs together and use any **BUSY** indication as an interrupt source to flag the event of an illegal or illogical operation. If the write inhibit function of **BUSY** logic is not desirable, the **BUSY** logic can be disabled by placing the part in slave mode with the  $\overline{M/\overline{S}}$  pin. Once in slave mode the  $\overline{BUSY}$  pin operates solely as a write inhibit input pin. Normal operation can be programmed by tying the  $\overline{BUSY}$  pins HIGH. If desired, unintended write operations can be prevented to a port by tying the  $\overline{BUSY}$  pin for that port LOW.

The **BUSY** outputs on the IDT 70V27 RAM in master mode, are push-pull type outputs and do not require pull up resistors to operate. If these RAMs are being expanded in depth, then the **BUSY** indication for the resulting array requires the use of an external AND gate.

### Width Expansion with **BUSY** Logic Master/Slave Arrays

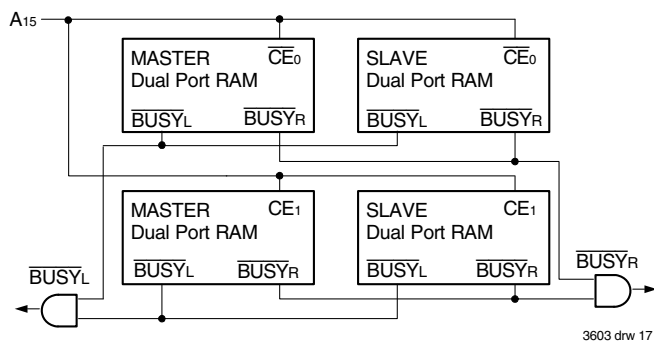


Figure 3. Busy and chip enable routing for both width and depth expansion with IDT70V27 RAMs.

When expanding an IDT70V27 RAM array in width while using  $\overline{BUSY}$  logic, one master part is used to decide which side of the RAM array will receive a  $\overline{BUSY}$  indication, and to output that indication. Any number of slaves to be addressed in the same address range as the master, use the busy signal as a write inhibit signal. Thus on the IDT70V27 RAM the  $\overline{BUSY}$  pin is an output if the part is used as a master ( $\overline{M/\overline{S}}$  pin =  $V_{IH}$ ), and the  $\overline{BUSY}$  pin is an input if the part is used as a slave ( $\overline{M/\overline{S}}$  pin =  $V_{IL}$ ) as shown in Figure 3.

If two or more master parts were used when expanding in width, a split decision could result with one master indicating  $\overline{BUSY}$  on one side of the array and another master indicating  $\overline{BUSY}$  on one other side of the array. This would inhibit the write operations from one port for part of a word and inhibit the write operations from the other port for the other part of the word.

The  $\overline{BUSY}$  arbitration, on a master, is based on the chip enable and address signals only. It ignores whether an access is a read or write. In a master/slave array, both address and chip enable must be valid long enough for a  $\overline{BUSY}$  flag to be output from the master before the actual write pulse can be initiated with either the  $\overline{R/\overline{W}}$  signal or the byte enables. Failure to observe this timing can result in a glitched internal write inhibit signal and corrupted data in the slave.

### Semaphores

The IDT70V27 is a fast Dual-Port 32K x 16 CMOS Static RAM with an additional 8 address locations dedicated to binary semaphore flags. These flags allow either processor on the left or right side of the Dual-Port RAM to claim a privilege over the other processor for functions defined by the system designer's software. As an example, the semaphore can be used by one processor to inhibit the other from accessing a portion of the Dual-Port RAM or any other shared resource.

The Dual-Port RAM features a fast access time, and both ports are completely independent of each other. This means that the activity on the left port in no way slows the access time of the right port. Both ports are identical in function to standard CMOS Static RAM and can be read from, or written to, at the same time with the only possible conflict arising from the simultaneous writing of, or a simultaneous READ/WRITE of, a non-semaphore location. Semaphores are protected against such ambiguous situations and may be used by the system program to avoid any conflicts in the non-semaphore portion of the Dual-Port RAM. These devices have an automatic power-down feature controlled by  $\overline{CE}$  the Dual-Port RAM enable, and  $\overline{SEM}$ , the semaphore enable. The  $\overline{CE}$  and  $\overline{SEM}$  pins control on-chip power down circuitry that permits the respective port to go into standby mode when not selected. This is the condition which is shown in Truth Table II where  $\overline{CE}$  and  $\overline{SEM}$  are both HIGH.

Systems which can best use the IDT70V27 contain multiple processors or controllers and are typically very high-speed systems which are software controlled or software intensive. These systems can benefit from a performance increase offered by the IDT70V27's hardware semaphores, which provide a lockout mechanism without requiring complex programming.

Software handshaking between processors offers the maximum in system flexibility by permitting shared resources to be allocated in varying configurations. The IDT70V27 does not use its semaphore flags to control any resources through hardware, thus allowing the system designer total flexibility in system architecture.

An advantage of using semaphores rather than the more common methods of hardware arbitration is that wait states are never incurred in either processor. This can prove to be a major advantage in very high-speed systems.

### How the Semaphore Flags Work

The semaphore logic is a set of eight latches which are independent of the Dual-Port RAM. These latches can be used to pass a flag, or token, from one port to the other to indicate that a shared resource is in use. The semaphores provide a hardware assist for a use assignment method called "Token Passing Allocation." In this method, the state of a semaphore latch is used as a token indicating that shared resource is in use. If the left processor wants to use this resource, it requests the token by setting the latch. This processor then verifies its success in setting the latch by reading it. If it was successful, it proceeds to assume control over the shared resource. If it was not successful in setting the latch, it determines that the right side processor has set the latch first, has the token and is using the shared resource. The left processor can then either repeatedly request that semaphore's status or remove its request for that semaphore to perform another task and occasionally attempt again to gain control of the token via the set and test sequence. Once the right side has relinquished the token, the left side should succeed in gaining control.

The semaphore flags are active low. A token is requested by writing a zero into a semaphore latch and is released when the same side writes a one to that latch.

The eight semaphore flags reside within the IDT70V27 in a separate memory space from the Dual-Port RAM. This address space is accessed by placing a low input on the SEM pin (which acts as a chip select for the semaphore flags) and using the other control pins (Address, OE, and R/W) as they would be used in accessing a standard Static RAM. Each of the flags has a unique address which can be accessed by either side through address pins A0 – A2. When accessing the semaphores, none of the other address pins has any effect.

When writing to a semaphore, only data pin D0 is used. If a low level is written into an unused semaphore location, that flag will be set to a zero on that side and a one on the other side (see Table VI). That semaphore can now only be modified by the side showing the zero. When a one is written into the same location from the same side, the flag will be set to a one for both sides (unless a semaphore request from the other side is pending) and then can be written to by both sides. The fact that the side which is able to write a zero into a semaphore subsequently locks out writes from the other side is what makes semaphore flags useful in interprocessor communications. (A thorough discussion on the use of this feature follows shortly.) A zero written into the same location from the other side will be stored in the semaphore request latch for that side until the semaphore is freed by the first side.

When a semaphore flag is read, its value is spread into all data bits so that a flag that is a one reads as a one in all data bits and a flag containing a zero reads as all zeros. The read value is latched into one side's output register when that side's semaphore select (SEM) and output enable (OE) signals go active. This serves to disallow the semaphore from changing state in the middle of a read cycle due to a write cycle from the other side. Because of this latch, a repeated read of a semaphore in a test loop must cause either signal (SEM or OE) to go inactive or the output will never change.

A sequence WRITE/READ must be used by the semaphore in order to guarantee that no system level contention will occur. A processor requests access to shared resources by attempting to write a zero into a semaphore location. If the semaphore is already in use, the semaphore request latch will contain a zero, yet the semaphore flag will appear as a one, a fact which the processor will verify by the subsequent read (see Table VI). As an example, assume a processor writes a zero to the left port at a free semaphore location. On a subsequent read, the processor will verify that it has written successfully to that location and will assume control over the resource in question. Meanwhile, if a processor on the right side attempts to write a zero to the same semaphore flag it will fail, as will be verified by the fact that a one will be read from that semaphore on the right side during the subsequent read. Had a sequence of READ/WRITE been

used instead, system contention problems could have occurred during the gap between the read and write cycles.

It is important to note that a failed semaphore request must be followed by either repeated reads or by writing a one into the same location. The

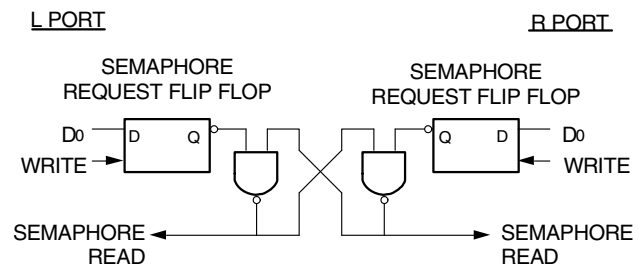


Figure 4. IDT70V27 Semaphore Logic

3603 drw 18

reason for this is easily understood by looking at the simple logic diagram of the semaphore flag in Figure 4. Two semaphore request latches feed into a semaphore flag. Whichever latch is first to present a zero to the semaphore flag will force its side of the semaphore flag low and the other side high. This condition will continue until a one is written to the same semaphore request latch. Should the other side's semaphore request latch have been written to a zero in the meantime, the semaphore flag will flip over to the other side as soon as a one is written into the first side's request latch. The second side's flag will now stay low until its semaphore request latch is written to a one. From this it is easy to understand that, if a semaphore is requested and the processor which requested it no longer needs the resource, the entire system can hang up until a one is written into that semaphore request latch.

The critical case of semaphore timing is when both sides request a single token by attempting to write a zero into it at the same time. The semaphore logic is specially designed to resolve this problem. If simultaneous requests are made, the logic guarantees that only one side receives the token. If one side is earlier than the other in making the request, the first side to make the request will receive the token. If both requests arrive at the same time, the assignment will be arbitrarily made to one port or the other.

One caution that should be noted when using semaphores is that semaphores alone do not guarantee that access to a resource is secure. As with any powerful programming technique, if semaphores are misused or misinterpreted, a software error can easily happen.

Initialization of the semaphores is not automatic and must be handled via the initialization program at power-up. Since any semaphore request flag which contains a zero must be reset to a one, all semaphores on both sides should have a one written into them at initialization from both sides to assure that they will be free when needed.

## Ordering Information

| XXXXX       | A     | 999   | A       | A | A                          | A |                        |   |
|-------------|-------|-------|---------|---|----------------------------|---|------------------------|---|
| Device Type | Power | Speed | Package |   | Process/ Temperature Range |   |                        |   |
|             |       |       |         |   |                            |   | Blank 8                | Tube or Tray<br>Tape and Reel   |
|             |       |       |         |   |                            |   | Blank I <sup>(1)</sup> | Commercial (0°C to +70°C)<br>Industrial (-40°C to +85°C)  |
|             |       |       |         |   |                            |   | G <sup>(2)</sup>       | Green   |
|             |       |       |         |   |                            |   | PF                     | 100-pin TQFP (PN100-1)  |
|             |       |       |         |   |                            |   | 15                     | Commercial & Industrial<br>Commercial & Industrial<br>Commercial Only<br>Commercial & Industrial<br>Commercial Only |
|             |       |       |         |   |                            |   | 20                     |   |
|             |       |       |         |   |                            |   | 25                     |   |
|             |       |       |         |   |                            |   | 35                     |   |
|             |       |       |         |   |                            |   | 55                     |   |
|             |       |       |         |   |                            |   | S                      | Standard Power  |
|             |       |       |         |   |                            |   | L                      | Low Power   |
|             |       |       |         |   |                            |   | 70V27                  | 512K (32K x 16) 3.3V Dual-Port RAM  |

} Speed in nanoseconds

3603 drw 19a

### NOTES:

- Industrial temperature range is available on selected TQFP packages in low power.  
For other speeds, packages and powers contact your sales office.
- Green parts available. For specific speeds, packages and powers contact your local sales office.  
**LEAD FINISH (SnPb) parts are in EOL process. Product Discontinuation Notice - PDN# SP-17-02**

## Datasheet Document History

|           |        |   |
|-----------|--------|---|
| 12/03/98: |        | Initiated Document History<br>Converted to new format<br>Typographical and cosmetic changes<br>Added fpBGA information<br>Added 15ns and 20ns speed grades<br>Updated DC Electrical Characteristics<br>Added additional notes to pin configurations |
| 04/02/99: | Page 5 | Fixed typo in Table III   |
| 08/01/99: | Page 3 | Changed package body height from 1.1mm to 1.4mm   |
| 08/30/99: | Page 1 | Changed 660mW to 660μW  |
| 04/25/00: | Page 2 | Replaced IDT logo<br>Made pin correction<br>Changed ±200mV to 0mV in notes  |

**Datasheet Document History continued on page 21**

## Datasheet Document History(cont'd)

|           |                         |  |
|-----------|-------------------------|--|
| 01/12/01: | Page 1                  | Fixed page numbering; copyright  |
|           | Page 6                  | Increased storage temperature parameter<br>Clarified TA Parameter  |
|           | Page 7 & 8              | DC Electrical parameters—changed wording from "open" to "disabled"<br>Removed Preliminary status   |
| 08/02/04: | Page 1, 4 & 20          | Removed GU-108 package offering  |
|           | Page 2 & 3              | Added date revision for pin configurations   |
|           | Page 2 - 7              | Changed naming convention from V <sub>CC</sub> to V <sub>DD</sub> and from GND to V <sub>SS</sub>  |
|           | Page 5                  | Updated Capacitance table  |
|           | Page 6                  | Added I- temp for low power for 20ns speed to DC Electrical Characteristics  |
|           | Page 6 - 7              | Removed I-temp for 25ns & 55ns speeds and removed I-temp for 35ns standard power from DC Electrical Characteristics  |
|           | Page 7                  | Changed Input Rise/Fall Times from 5ns to 3ns  |
|           | Page 8, 10, 13 & 15     | Removed I-temp for 25ns & 55ns speeds from AC Electrical Characteristics for Read, Write, Busy and Interrupt   |
|           | Page 6 - 8, 10, 13 & 15 | Removed I-temp note from all table footnotes   |
| 01/20/06: | Page 1                  | Added green availability to features   |
|           | Page 20                 | Added green indicator to ordering information  |
|           | Page 20                 | Added I-temp to 20ns in ordering information   |
|           | Page 1 & 21             | Replaced old IDT™ logo with new IDT™ logo  |
| 09/21/06: | Page 20                 | Added die stepping indicator to ordering information   |
| 10/23/08: | Page 20                 | Removed "IDT" from orderable part number   |
| 09/27/12: | Page 20                 | Added T & R indicator and removed W stepping from ordering information   |
|           | Page 2, 17 & 19         | Corrected miscellaneous typo's   |
| 05/17/18: | Page 1                  | Features: Added 15ns to Industrial temp offering and removed the "144-pin Fine Pitch BGA (fpBGA)"  |
|           | Page 2 & 3              | Description: Removed "and a 144-pin Fine Pitch BGA (fpBGA)" from the text. Removed the BF 144-1 pin configuration and all of it's associated footnotes from page 2 of the datasheet. Moved the PN-100-1 pin configuration and all of it's associated footnotes from page 2 to page 3 |
|           | Page 6                  | Updated the column heading for the 15ns speed grade, 70V27X15, with the Industrial temp offering and added the low power Industrial temp values to the DC Electrical Characteristics table   |
|           | Page 8, 10, 13 & 15     | Updated all of the column headings for the 15ns speed grade, 70V27X15, with the Industrial temp offering for all of the READ, WRITE, BUSY TIMING & INTERRUPT TIMING CYCLES in the AC Electrical Characteristics tables   |
|           | Page 20                 | Ordering Information: For the 15ns Speed grade offering, removed the BF 144-pin fpBGA (BF 144-1) Package designator and added the Industrial temp range indicator<br>Product Discontinuation Notice - PDN# SP-17-02<br>Last time buy expires June 15, 2018                           |
| 07/30/18: | Page 15                 | Changed tINR from 25ns to 20ns for the 15ns speed grade  |
| 01/14/19: | Page 8, 10, 13, 15      | Corrected miscellaneous typo's in the table headers  |



**CORPORATE HEADQUARTERS**  
6024 Silver Creek Valley Road  
San Jose, CA 95138

**for SALES:**  
800-345-7015 or 408-284-8200  
fax: 408-284-2775  
www.idt.com

**for Tech Support:**  
408-284-2794  
DualPortHelp@idt.com

The IDT logo is a registered trademark of Integrated Device Technology, Inc.

## Looking for pricing, stock, or lifecycle information?

Click below to explore more details on WIN SOURCE:

- ⊖ [View 70V27L25PF8 on WIN SOURCE](#)
- ⊖ [IDT, Integrated Device Technology Inc Information](#)

## Optimize Your Supply Chain with WIN SOURCE Solutions

- ✓ Global Sourcing Solution
- ✓ Obsolete Management
- ✓ Cost Control Management
- ✓ Shortage Management
- ✓ Alternative Solution
- ✓ Excess Inventory Management