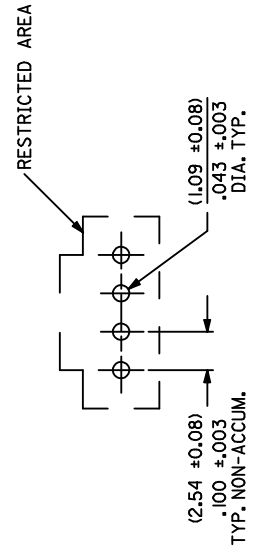
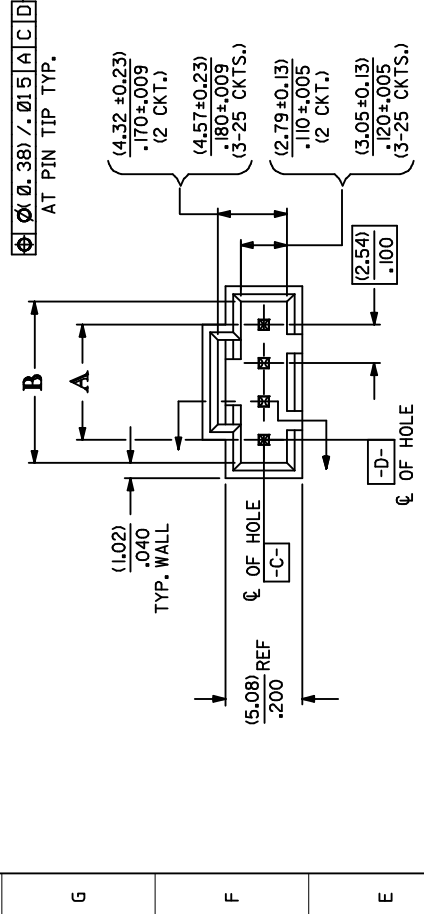
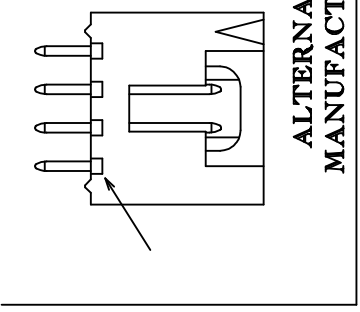
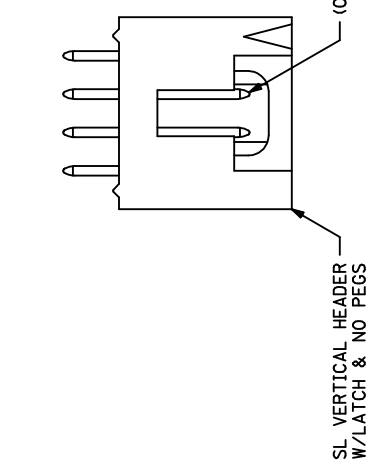




**THE DATASHEET OF
70543-0002**





- NOTES:
- HEADER MATERIAL: GLASS FILLED POLYESTER; UL 94V-0, COLOR: BLACK
PIN MATERIAL: PHOSPHOR BRONZE
 - FINISHES:
BRIGHT TIN - 3.81 MICROMETERS/150 MICROINCHES MINIMUM BRIGHT TIN PLATE
OVER NICKEL UNDERPLATE OVERALL
MATTE TIN - 3.81 MICROMETERS/150 MICROINCHES MINIMUM MATTE TIN PLATE
OVER NICKEL UNDERPLATE OVERALL
15 GOLD - 0.38 MICROMETERS/15 MICROINCHES MINIMUM GOLD PLATE IN MATE AREA
OVER NICKEL UNDERPLATE OVERALL
30 GOLD - 0.76 MICROMETERS/30 MICROINCHES MINIMUM GOLD PLATE IN MATE AREA
OVER NICKEL UNDERPLATE OVERALL
 - REFER TO MOLEX PRODUCT SPECIFICATION PS-70541
 - PACKAGING SPECIFICATION: SEE CHARTS
 - HEADER TO BE USED WITH OPTION "G" 70400 AND 70430 SERIES SL CONNECTORS
 - PARTS CONFORM TO CLASS B REQUIREMENTS OF COSMETIC SPECIFICATION PS-45499-002.

RECOMMENDED PC BOARD LAYOUT
(FOR USE WITH (1.57)/.062 THICK BOARD)



| | | | | | |
|-----------------|---------------------------------------|--|---------------------|-------------|-----|
| ADD 74053-0338 | FC NO: UCP206-3086 | DRW:MK1PPER | 2016/02/04 | M1 | REV |
| CHKD:JDFOX | 2012/02/04 | APP:FSM1TH | 2016/03/10 | DESCRIPTION | |
| QUALITY SYMBOLS | GENERAL TOLERANCES (UNLESS SPECIFIED) | DIMENSION STYLE | | | |
| ▽=0 | 4 PLACES ± | MM/IN | | | |
| ▽=0 | 3 PLACES ± | DRAWN BY | AAB | | |
| ▽=0 | 2 PLACES ± | CHECKED BY | MJM | | |
| | 1 PLACE ± | APPROVED BY | MAZ | | |
| | 0 PLACE ± | MATERIAL NO. | 1987/09/22 | | |
| | | ANGULAR ±1/2° | 1987/09/22 | | |
| | | DRAFT WHERE APPLICABLE MUST REMAIN WITHIN DIMENSIONS | SEE TABLE | | |
| | | SIZE THIS DRAWING CONTAINED AND SH | INCORPORATED AND SH | | |

| CIRCUIT SIZE | ENGINEERING NUMBER 70543 | D REF | E ±0.25/.010 | MATING AREA FINISH | PC TAIL AREA FINISH | PACKAGING: |
|--------------|--------------------------|----------------|----------------|--------------------|---------------------|-------------------------------------|
| 2-25 | -0001-0024 | (3.30) .130 | (6.10) .240 | 15 GOLD | MATTE TIN | PK-70873-0014 (TUBE W/O P&P CAP) |
| 2-25 | -0036-0059 | (3.30) .130 | (6.10) .240 | BRIGHT TIN | BRIGHT TIN | PK-70873-0014 (TUBE W/O P&P CAP) |
| 2-25 | -0071-0094 | (3.81) .150 | (6.10) .240 | BRIGHT TIN | BRIGHT TIN | PK-70873-0014 (TUBE W/O P&P CAP) |
| 2-25 | -0106-0129 | (3.30) .130 | (6.10) .240 | 30 GOLD | MATTE TIN | PK-70873-0014 (TUBE W/O P&P CAP) |
| 2-25 | -0141-0164 | (2.54) .100 | (6.10) .240 | 15 GOLD | MATTE TIN | PK-70873-0014 (TUBE W/O P&P CAP) |
| 2-25 | -0165-0188 | (3.81) .150 | (6.10) .240 | 30 GOLD | MATTE TIN | PK-70873-0014 (TUBE W/O P&P CAP) |
| 2-25 | -0200-0223 | (3.81) .150 | (6.10) .240 | 15 GOLD | MATTE TIN | PK-70873-0014 (TUBE W/O P&P CAP) |

| CIRCUIT SIZE | ITEM NUMBER | ITEM NUMBER | ITEM NUMBER | ITEM NUMBER | ITEM NUMBER | ITEM NUMBER |
|--------------|-------------|-------------|-------------|-------------|-------------|-------------|
| 2 | 70543-0001 | 70543-0036 | 70543-0071 | 70543-0106 | 70543-0141 | 70543-0165 |
| 3 | 70543-0002 | 70543-0037 | 70543-0072 | 70543-0107 | 70543-0142 | 70543-0166 |
| 4 | 70543-0003 | 70543-0038 | 70543-0073 | 70543-0108 | 70543-0143 | 70543-0167 |
| 5 | 70543-0004 | 70543-0039 | 70543-0074 | 70543-0109 | 70543-0144 | 70543-0168 |
| 6 | 70543-0005 | 70543-0040 | 70543-0075 | 70543-0110 | 70543-0145 | 70543-0169 |
| 7 | 70543-0006 | 70543-0041 | 70543-0076 | 70543-0111 | 70543-0146 | 70543-0170 |
| 8 | 70543-0007 | 70543-0042 | 70543-0077 | 70543-0112 | 70543-0147 | 70543-0171 |
| 9 | 70543-0008 | 70543-0043 | 70543-0078 | 70543-0113 | 70543-0148 | 70543-0172 |
| 10 | 70543-0009 | 70543-0044 | 70543-0079 | 70543-0114 | 70543-0149 | 70543-0173 |
| 11 | 70543-0010 | 70543-0045 | 70543-0080 | 70543-0115 | 70543-0150 | 70543-0174 |
| 12 | 70543-0011 | 70543-0046 | 70543-0081 | 70543-0116 | 70543-0151 | 70543-0175 |
| 13 | 70543-0012 | 70543-0047 | 70543-0082 | 70543-0117 | 70543-0152 | 70543-0176 |
| 14 | 70543-0013 | 70543-0048 | 70543-0083 | 70543-0118 | 70543-0153 | 70543-0177 |
| 15 | 70543-0014 | 70543-0049 | 70543-0084 | 70543-0119 | 70543-0154 | 70543-0178 |
| 16 | 70543-0015 | 70543-0050 | 70543-0085 | 70543-0120 | 70543-0155 | 70543-0179 |
| 17 | 70543-0016 | 70543-0051 | 70543-0086 | 70543-0121 | 70543-0156 | 70543-0180 |
| 18 | 70543-0017 | 70543-0052 | 70543-0087 | 70543-0122 | 70543-0157 | 70543-0181 |
| 19 | 70543-0018 | 70543-0053 | 70543-0088 | 70543-0123 | 70543-0158 | 70543-0182 |
| 20 | 70543-0019 | 70543-0054 | 70543-0089 | 70543-0124 | 70543-0159 | 70543-0183 |
| 21 | 70543-0020 | 70543-0055 | 70543-0090 | 70543-0125 | 70543-0160 | 70543-0184 |
| 22 | 70543-0021 | 70543-0056 | 70543-0091 | 70543-0126 | 70543-0161 | 70543-0185 |
| 23 | 70543-0022 | 70543-0057 | 70543-0092 | 70543-0127 | 70543-0162 | 70543-0186 |
| 24 | 70543-0023 | 70543-0058 | 70543-0093 | 70543-0128 | 70543-0163 | 70543-0187 |
| 25 | 70543-0024 | 70543-0059 | 70543-0094 | 70543-0129 | 70543-0164 | 70543-0188 |

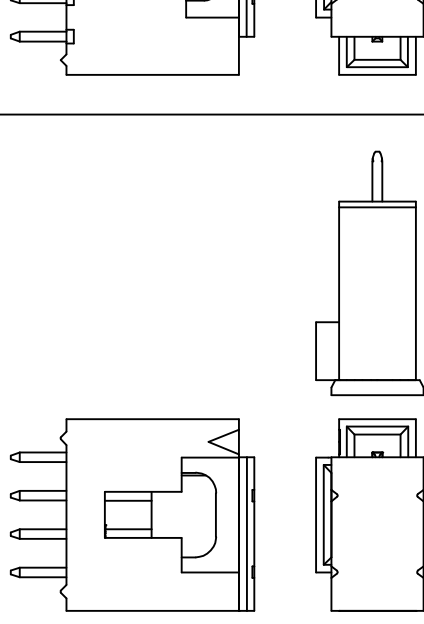
| QUALITY SYMBOLS | GENERAL TOLERANCES (UNLESS SPECIFIED) | DIMENSION STYLE |
|-----------------|--|---|
| = 0 | 4 PLACES ± --- INCH | MM/IN |
| = 0 | 3 PLACES ± --- ± .005 | DRAWN BY AAB DATE 1987/09/22 |
| = 0 | 2 PLACES ± 0.13 ± .010 | CHECKED BY MJM DATE 1987/09/22 |
| | 1 PLACE ± 0.25 ± --- | APPROVED BY MAZ DATE 1987/09/22 |
| | 0 PLACE ± --- ± --- | MATERIAL NO. SEE TABLE |
| | ANGULAR ±1/2° | SIZE <input type="checkbox"/> THIS DRAWING CONTAINS INCORPORATED AND SH |
| | DRAFT WHERE APPLICABLE MUST REMAIN WITHIN DIMENSIONS | |

| REVISION | DESCRIPTION |
|----------|--|
| M1 | SEE SHEET 1 FC NO: UCP2016-3086 DRAWN: MKIPPER 2016/02/04 CHK'D: JDFOX 2012/02/04 APP'F: FSMITH 2016/03/10 |

| CIRCUIT SIZE | ENGINEERING NUMBER 70543 | D REF | E +0.25/.010 | MATING AREA FINISH | PC TAIL AREA FINISH | PACKAGING: |
|--------------|-----------------------------|----------------|-----------------|--------------------|---------------------|-------------------------------------|
| 3-25 | -0337-0359 | (3.30) .130 | (6.10) .240 | BRIGHT TIN | BRIGHT TIN | 705430001-PK (TUBE WITH P&P CAP) |
| | | | | | | |
| | | | | | | |

| CIRCUIT SIZE | ITEM NUMBER | ITEM NUMBER | ITEM NUMBER |
|--------------|-------------|-------------|-------------|
| 3 | | | |
| 4 | 70543-0338 | | |
| 5 | | | |
| 6 | | | |
| 7 | | | |
| 8 | | | |
| 9 | | | |
| 10 | | | |
| 11 | | | |
| 12 | | | |
| 13 | | | |
| 14 | | | |
| 15 | | | |
| 16 | | | |
| 17 | | | |
| 18 | | | |
| 19 | | | |
| 20 | | | |
| 21 | | | |
| 22 | | | |
| 23 | | | |
| 24 | | | |
| 25 | | | |

PICK & PLACE CAP POSITION
EVEN CIRCUITS



| | | | | |
|---|---------------------------------------|-------------|----|-----|
| EC NO: UCP2016-3086 | DRW:MK1PPER | 2016/02/04 | M1 | REV |
| CH:KDJDFOX | 2012/02/04 | DESCRIPTION | | |
| APP:FSMITH | 2016/03/10 | | | |
| SEE SHEET 1 | | | | |
| DRAFT WHERE APPLICABLE MUST REMAIN WITHIN DIMENSIONS | | | | |
| ANGULAR ±1/2° | | | | |
| 0 PLACE ± --- ± --- | | | | |
| 1 PLACE ±0.25 ± --- | | | | |
| 2 PLACES ±0.13 ±.010 | | | | |
| 3 PLACES ± --- ±.005 | | | | |
| 4 PLACES ± --- ± --- | | | | |
| QUALITY SYMBOLS | GENERAL TOLERANCES (UNLESS SPECIFIED) | INCH | MM | |
| △=0 | | | | |
| ▽=0 | | | | |
| △=0 | | | | |
| MATERIAL NO. SEE CHART | | | | |
| SIZE THIS DRAWING CONTAINED INCORPORATED AND S | | | | |

Looking for pricing, stock, or lifecycle information?

Click below to explore more details on WIN SOURCE:

 [View 70543-0002 on WIN SOURCE](#)

 [Molex, LLC Information](#)

Optimize Your Supply Chain with WIN SOURCE Solutions

-  Global Sourcing Solution
-  Obsolete Management
-  Cost Control Management
-  Shortage Management
-  Alternative Solution
-  Excess Inventory Management