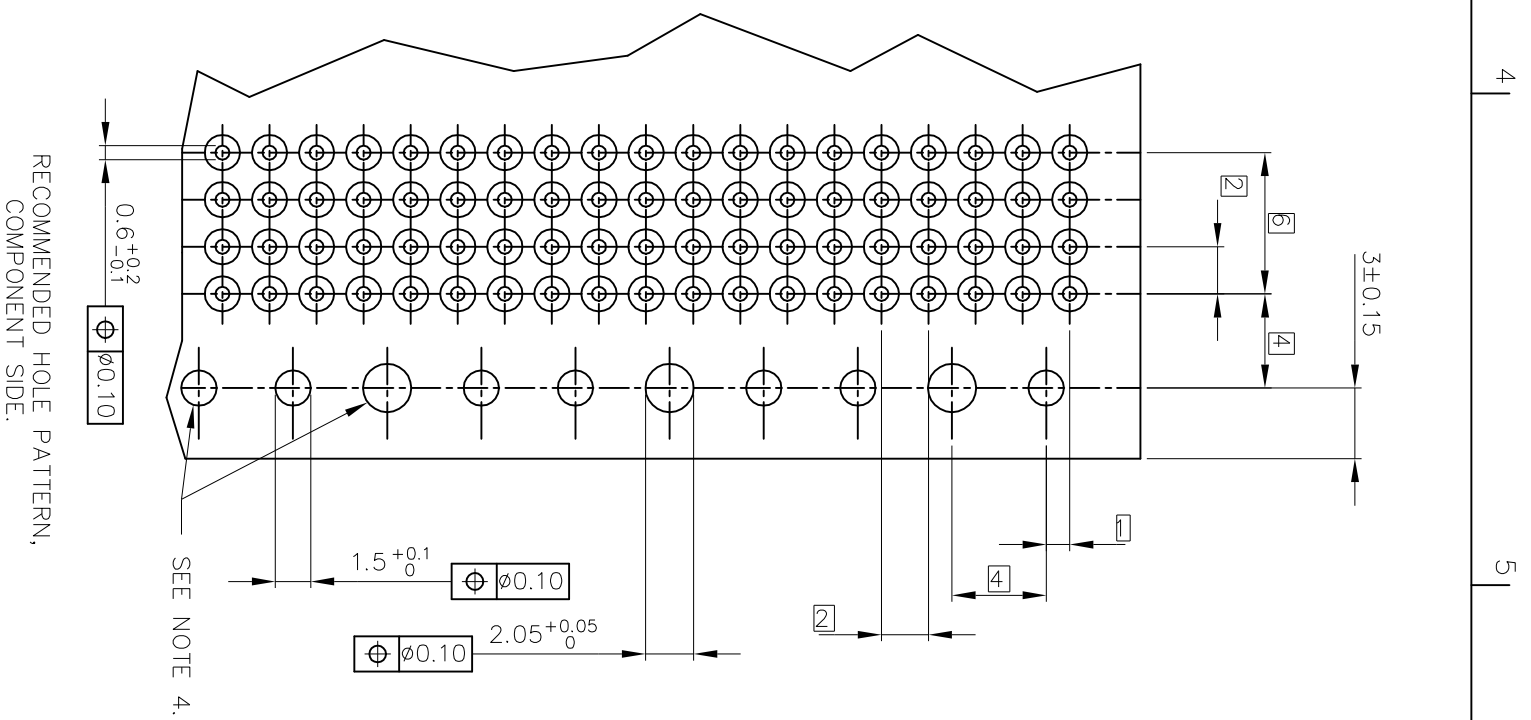
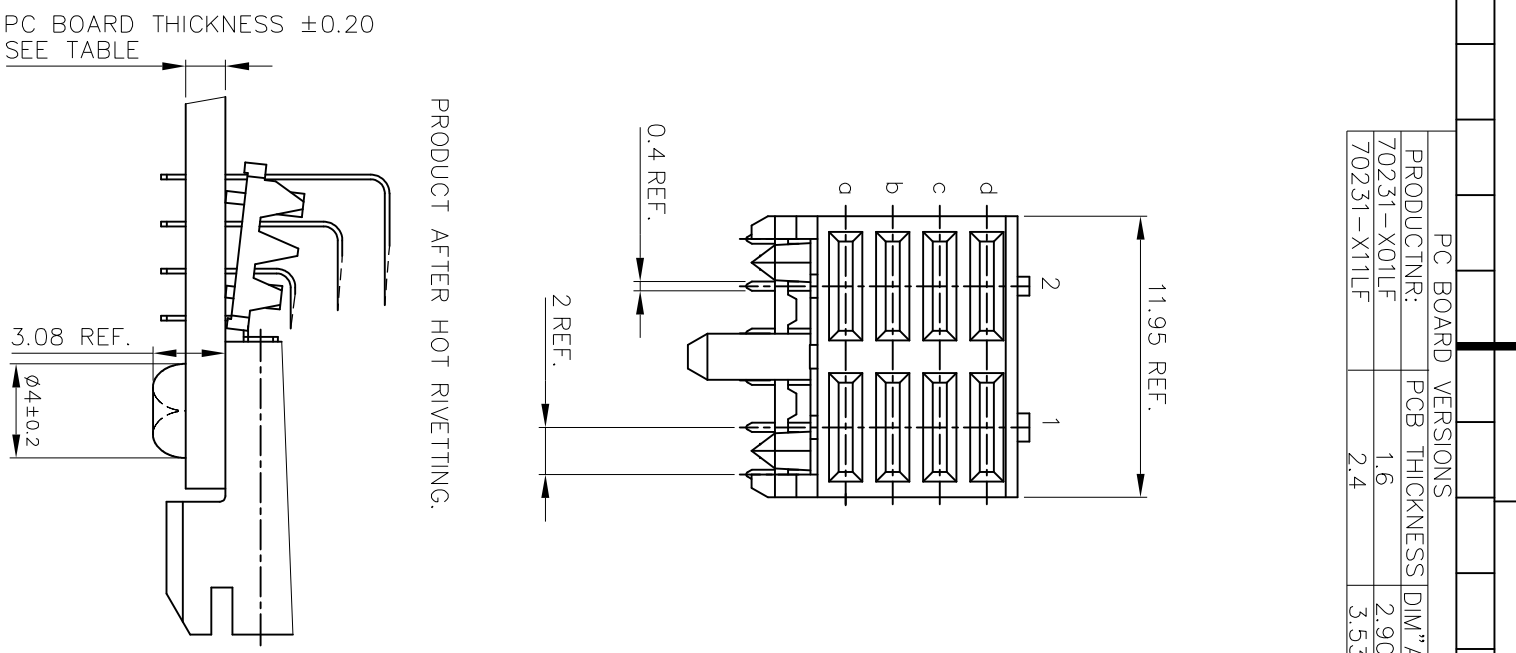
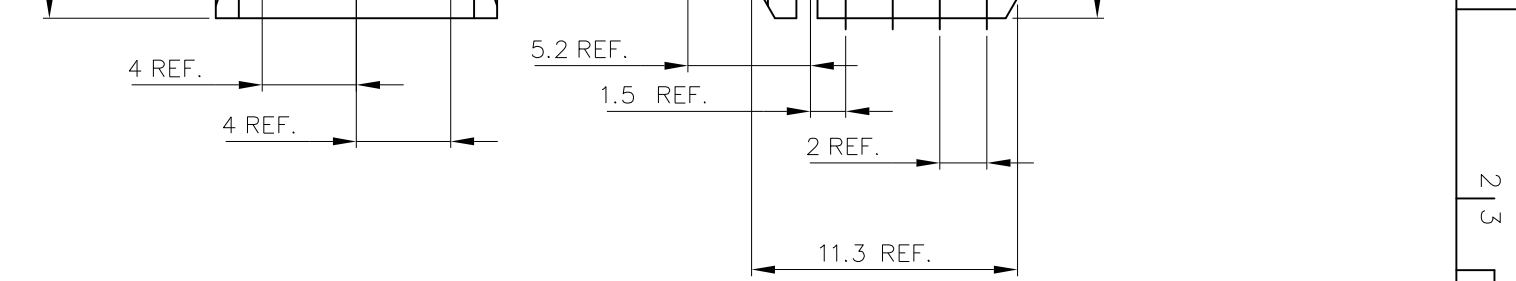




**THE DATASHEET OF  
70231-101LF**



PC BOARD VERSIONS		
PRODUCTNR:	PCB THICKNESS	DIM "A"
70231-X01LF	1.6	2.90
70231-X11LF	2.4	3.53



mat'l. code		surface		tolerance		projection		product family		title	
ltr	ecn no	dr	date	ISD 1302	ISD 406	ISD 1101	MM	METRAL (tm)	RA FEMALE POWER	sheet 1 of 2	size
K	D605-0107	CLU	2005-05-10	tolerances unless otherwise specified	0.X	$\pm 0.30$	MM		STB 12MM VERSIDN		
L	D607-0458	CEN	2007-11-15	angles linear	0.XX	$\pm 0.15$					
M	N11-0131	AZH	2011-05-09	$0^\circ \pm 2^\circ$	0.XXX	$\pm 0.05$	Scale 5:1				
N	ELX-N-004584	AZH	2011-07-20	dr	R.TRLPPE	1990-09-18					
P	ELX-N-26608	MZ	2017-03-24	engr	BDUWKNEGT	1990-09-18					
				chr	VAN ZANTEN	1990-09-18					
				pppd	VAN ZANTEN	1990-09-18					
sheet index	revision										
		P	P								
1	2										



RA FEMALE POWER  
STB 12MM VERSIDN  
sheet 1 of 2  
70231  
Customer Drawing  
A3

TERMINAL,  
OLDER APPLICATION.  
60DEGREE PEAK  
22-008  
TIVES AND OTHER

PDS: Rev:IP

STATUS:Released

Printed: Apr 14, 2017

5

6



## Looking for pricing, stock, or lifecycle information?

Click below to explore more details on WIN SOURCE:

[View 70231-101LF on WIN SOURCE](#)

[Amphenol FCI Information](#)

## Optimize Your Supply Chain with WIN SOURCE Solutions

- ✓ Global Sourcing Solution
- ✓ Obsolete Management
- ✓ Cost Control Management
- ✓ Shortage Management
- ✓ Alternative Solution
- ✓ Excess Inventory Management