



**THE DATASHEET OF**  
**S3272**



REV.	ECO. NO	DES.
A	101	ORIGI
B	1037	UPDATE TO AVAILABL

**PART NUMBER CODING**

R \_ E \_ \_ D H A

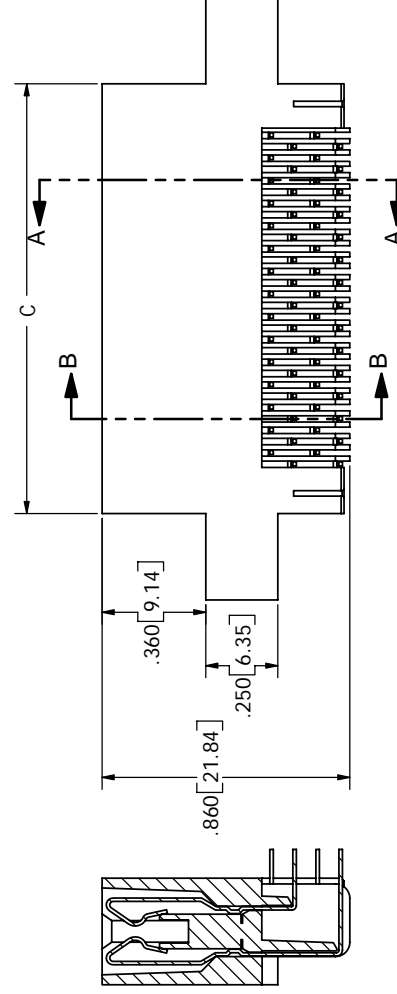
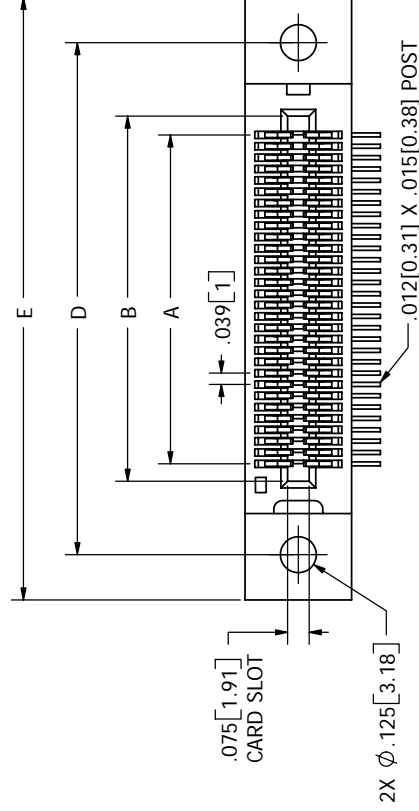
MO  
D =  
N =  
T =  
R =  
S =

NUMBER OF POSITIONS

**PLATING**

ALL PLATINGS HAVE .000050" NICKEL UNDER CONTACT SURFACE  
B = .000010" GOLD  
C = .000030" GOLD

**LEAD FREE**

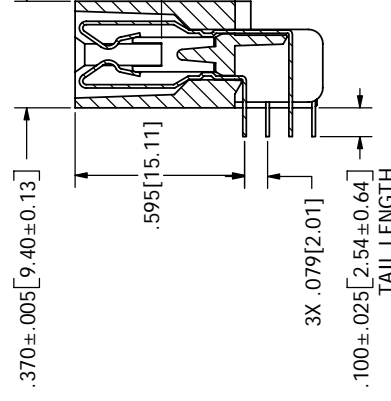


SECTION B-B  
SCALE 3 : 1

R \_ E \_ \_ D H A D

**NOTES:**

- INSULATOR MATERIAL: PPS
- CONTACT MATERIAL: PHOSPHOR BRONZE
- PLATING: SEE PART NUMBER CODING
- TEMPERATURE: -65 °C TO +125 °C
- PROCESSING TEMP: 260 °C FOR 120 SECONDS MAX
- UL FLAMMABILITY RATING: 94V-0
- VOLTAGE RATING: 125 VDC MINIMUM AT SEA LEVEL.
- CURRENT RATING: 1 AMP PER CONTACT PAIR
- VOLTAGE DROP: 30 MILLI VOLT AT RATED CURRENT
- INSULATION RESISTANCE: 1000 MEGA OHM
- CONNECTOR IDENTIFICATION: THE PART SHALL BE MARKED WITH A PART NUMBER AND BARCODE
- BOARD THICKNESS ACCOMMODATED: .062 ± .008"
- BOARD INSERTION FORCE: 16 OZ MAX PER CONTACT PAIR WHEN USING A .062" TEST BLADE. INTERNAL INSPECTION TO BE PER SULLIN'S WORK INSTRUCTION W17-3-01.
- BOARD WITHDRAWAL FORCE: 1 OUNCE MINIMUM PER CONTACT PAIR USING .062" PCB.



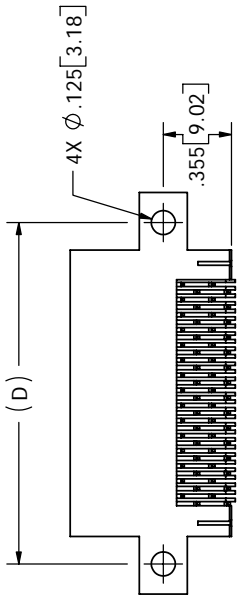
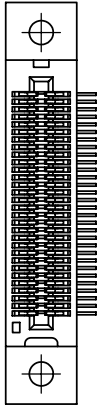
SECTION A-A  
SCALE 3 : 1



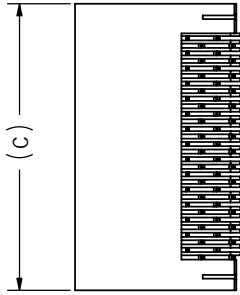
**RoHS COMPLIANT**

**CUS**

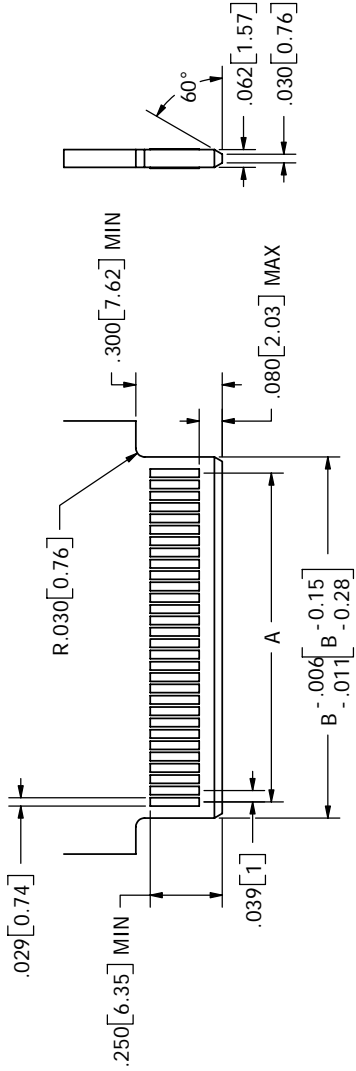
UNLESS OTHERWISE SPECIFIED:  
DIMENSIONS ARE IN INCHES(MM)  
TOLERANCES:  
ANGULAR ± °  
XX ± .02 (1.508)  
XXX ± .005 (1.270)  
XXXX ± .0005 (0.127)  
PARENTHEICAL INFORMATION IS FOR REFERENCE ONLY  
INTERPRET DIMENSIONS AND GEOMETRIC TOLERANCING PER: ANSI Y14.5-1994



R \_ E \_ \_ D H A S



R \_ E \_ \_ D H A N



CARD LAYOUT



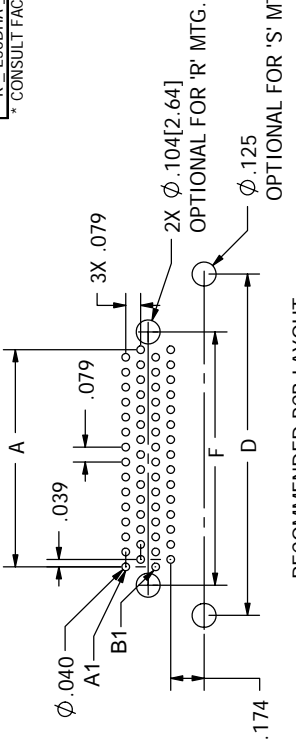
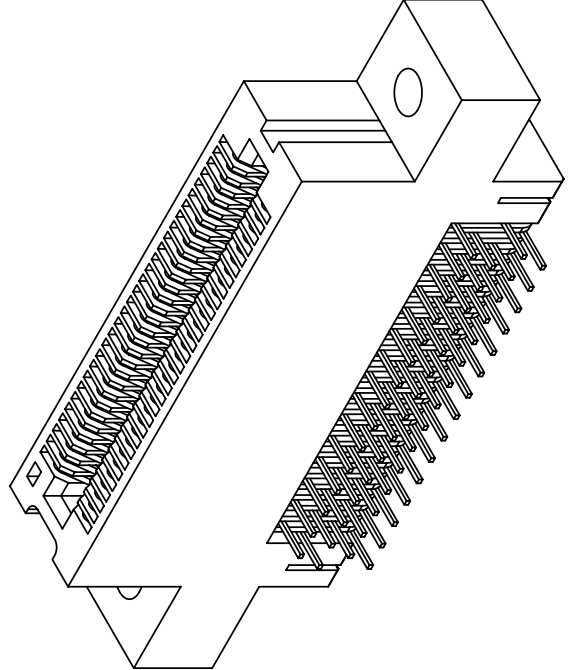
RoHS COMPLIANT

CUS

UNLESS OTHERWISE SPECIFIED:  
 DIMENSIONS ARE IN INCHES(MM)  
 DECIMALS ARE IN INCHES(MM)  
 ANGULAR ± .1°  
 XX ± .02 [ .508]  
 XXX ± .005 [ .1270]  
 XXXX ± .0005 [ .0127]  
 PARENTHETICAL INFORMATION IS FOR  
 REFERENCE ONLY  
 INTERPRET DIMENSIONS AND GEOMETRIC  
 TOLERANCING  
 PER: ANSI Y14.5-1994

PART NUMBER	POS.	A±.005[±0.13]		B±.005[±0.25]		C±.015[±0.38]		D±.010[±0.38]	
		INCHES	MM	INCHES	MM	INCHES	MM	INCHES	MM
R_E02DHA_*	2	0.039	1.00	0.170	4.32	0.389	9.89	0.765	19.43
R_E03DHA_*	3	0.079	2.00	0.210	5.32	0.429	10.89	0.715	18.28
R_E04DHA_*	4	0.118	3.00	0.249	6.32	0.468	11.89	0.754	19.30
R_E05DHA_*	5	0.157	4.00	0.288	7.32	0.507	12.89	0.793	20.03
R_E06DHA_*	6	0.197	5.00	0.328	8.32	0.547	13.89	0.833	21.17
R_E07DHA_*	7	0.236	6.00	0.367	9.32	0.586	14.89	0.872	22.15
R_E08DHA_*	8	0.276	7.00	0.407	10.32	0.626	15.89	0.912	23.54
R_E09DHA_*	9	0.315	8.00	0.446	11.32	0.665	16.89	0.951	24.50
R_E10DHA_*	10	0.354	9.00	0.485	12.32	0.704	17.89	0.990	25.44
R_E11DHA_*	11	0.394	10.00	0.525	13.32	0.744	18.89	1.030	26.41
R_E12DHA_*	12	0.433	11.00	0.564	14.32	0.783	19.89	1.069	27.17
R_E13DHA_*	13	0.472	12.00	0.603	15.32	0.822	20.89	1.108	28.15
R_E14DHA_*	14	0.512	13.00	0.643	16.32	0.862	21.89	1.148	29.18
R_E15DHA_*	15	0.551	14.00	0.682	17.32	0.901	22.89	1.187	30.15
R_E16DHA_*	16	0.591	15.00	0.722	18.32	0.941	23.89	1.227	31.17
R_E17DHA_*	17	0.630	16.00	0.761	19.32	0.980	24.89	1.266	32.15
R_E18DHA_*	18	0.669	17.00	0.800	20.32	1.019	25.89	1.305	33.17
R_E19DHA_*	19	0.709	18.00	0.840	21.32	1.059	26.89	1.345	34.15
R_E20DHA_*	20	0.748	19.00	0.879	22.32	1.098	27.89	1.384	35.17
R_E21DHA_*	21	0.787	20.00	0.918	23.32	1.137	28.89	1.423	36.15
R_E22DHA_*	22	0.827	21.00	0.958	24.32	1.177	29.89	1.463	37.17
R_E23DHA_*	23	0.866	22.00	0.997	25.32	1.216	30.89	1.502	38.15
R_E24DHA_*	24	0.906	23.00	1.037	26.32	1.256	31.89	1.542	39.17
R_E25DHA_*	25	0.945	24.00	1.076	27.32	1.295	32.89	1.581	40.15
R_E26DHA_*	26	0.984	25.00	1.115	28.32	1.334	33.89	1.620	41.17
R_E27DHA_*	27	1.024	26.00	1.155	29.32	1.374	34.89	1.660	42.15
R_E28DHA_*	28	1.063	27.00	1.194	30.32	1.413	35.89	1.699	43.17
R_E29DHA_*	29	1.102	28.00	1.233	31.32	1.452	36.89	1.738	44.15
R_E30DHA_*	30	1.142	29.00	1.273	32.32	1.492	37.89	1.778	45.17
R_E31DHA_*	31	1.181	30.00	1.312	33.32	1.531	38.89	1.817	46.15
R_E32DHA_*	32	1.220	31.00	1.351	34.32	1.570	39.89	1.856	47.17
R_E33DHA_*	33	1.26	32.00	1.391	35.32	1.610	40.89	1.896	48.15
R_E34DHA_*	34	1.299	33.00	1.430	36.32	1.649	41.89	1.935	49.17
R_E35DHA_*	35	1.339	34.00	1.470	37.32	1.689	42.89	1.975	50.15
R_E36DHA_*	36	1.378	35.00	1.509	38.32	1.728	43.89	2.014	51.17
R_E37DHA_*	37	1.417	36.00	1.548	39.32	1.767	44.89	2.053	52.15
R_E38DHA_*	38	1.457	37.00	1.588	40.32	1.807	45.89	2.093	53.17
R_E39DHA_*	39	1.496	38.00	1.627	41.32	1.846	46.89	2.132	54.15
R_E40DHA_*	40	1.535	39.00	1.666	42.32	1.885	47.89	2.171	55.17
R_E41DHA_*	41	1.575	40.00	1.706	43.32	1.925	48.89	2.211	56.15
R_E42DHA_*	42	1.614	41.00	1.745	44.32	1.964	49.89	2.250	57.17
R_E43DHA_*	43	1.654	42.00	1.785	45.32	2.004	50.89	2.290	58.15
R_E44DHA_*	44	1.693	43.00	1.824	46.32	2.043	51.89	2.329	59.17
R_E45DHA_*	45	1.732	44.00	1.863	47.32	2.082	52.89	2.368	60.15
R_E46DHA_*	46	1.772	45.00	1.903	48.32	2.122	53.89	2.408	61.17
R_E47DHA_*	47	1.811	46.00	1.942	49.32	2.161	54.89	2.447	62.15
R_E48DHA_*	48	1.85	47.00	1.981	50.32	2.200	55.89	2.486	63.17
R_E49DHA_*	49	1.89	48.00	2.021	51.32	2.240	56.89	2.526	64.15
R_E50DHA_*	50	1.929	49.00	2.060	52.32	2.279	57.89	2.565	65.17

\* CONSULT FACTORY FOR AVAILABILITY



OPTIONAL FOR 'S' MTG

RECOMMENDED PCB LAYOUT COMPONENT SIDE





RoHS COMPLIANT

CUS

UNLESS OTHERWISE SPECIFIED:  
 DIMENSIONS ARE IN INCHES(MM)  
 DECIMALS ARE IN THIRDS  
 ANGULARS ± .1°  
 XX ± .02 (508)  
 XXX ± .005 (1270)  
 XXXX ± .0005 (127)  
 PARENTHETICAL INFORMATION IS FOR REFERENCE ONLY  
 INTERPRET DIMENSIONS AND GEOMETRIC TOLERANCING PER: ANSI Y14.5-1984

## Looking for pricing, stock, or lifecycle information?

Click below to explore more details on WIN SOURCE:

-  [View S3272 on WIN SOURCE](#)
-  [Skyworks Solutions Inc. Information](#)

## Optimize Your Supply Chain with WIN SOURCE Solutions

-  Global Sourcing Solution
-  Obsolete Management
-  Cost Control Management
-  Shortage Management
-  Alternative Solution
-  Excess Inventory Management