



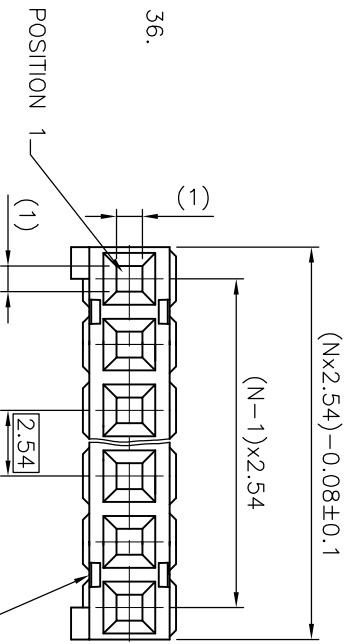
**THE DATASHEET OF
65240-031LF**



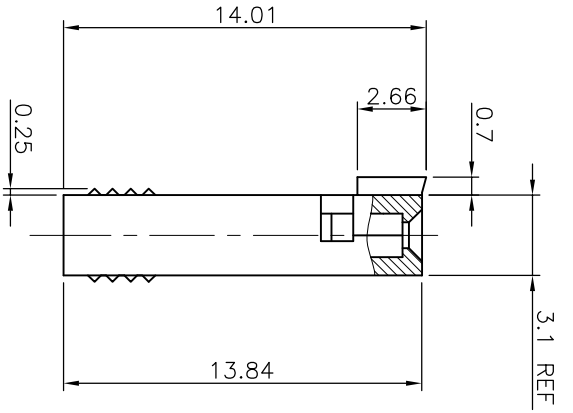


LETTER "LF"
IS ROHS

ROW: 02 TO 36.



SEE NOTE 2



CLASS FILLED
COLOR: BLUE.

CUSTOMER DEDICATED PART

20.24 mm.

A317.
SPECIFICATIONS

GS-14-920

EXPOSED TO A

2	3	4	5	6
---	---	---	---	---

PDS: Rev: U

STATUS: Released Printed: Oct 29, 2018

mat'l code		SEE NOTE		surface		tolerance		projection		product family	
lfr	ecn no	dr	date	ISO 1302	ISO 406	ISO 101	mm	scale	mm	title	family
P	F06-0146	DLE	06.03.10	ISO 1302	ISO 406	ISO 101	mm	5:1	mm	ctw HOUSING	DUBOX
R	F06-0225	DLE	06.07.07	tolerances unless otherwise specified		linear	±0.3				
S	F07-0168	PNZ	07.04.02	angle							
T	F-27116	LMU	17.05.30	dr	G CORBOZ						
U	F-31150	LMU	18.09.04	len	P NIZZI						
N	F05-0286	DLE	05.11.07	app	P NZ						
sheet	revision									dwg no	sheet 1 of 1
index	sheet									65240	A3
										CUSTOMER Drawing	size

D

Looking for pricing, stock, or lifecycle information?

Click below to explore more details on WIN SOURCE:

- [View 65240-031LF on WIN SOURCE](#)
- [Amphenol FCI Information](#)

Optimize Your Supply Chain with WIN SOURCE Solutions

- ✓ Global Sourcing Solution
- ✓ Obsolete Management
- ✓ Cost Control Management
- ✓ Shortage Management
- ✓ Alternative Solution
- ✓ Excess Inventory Management