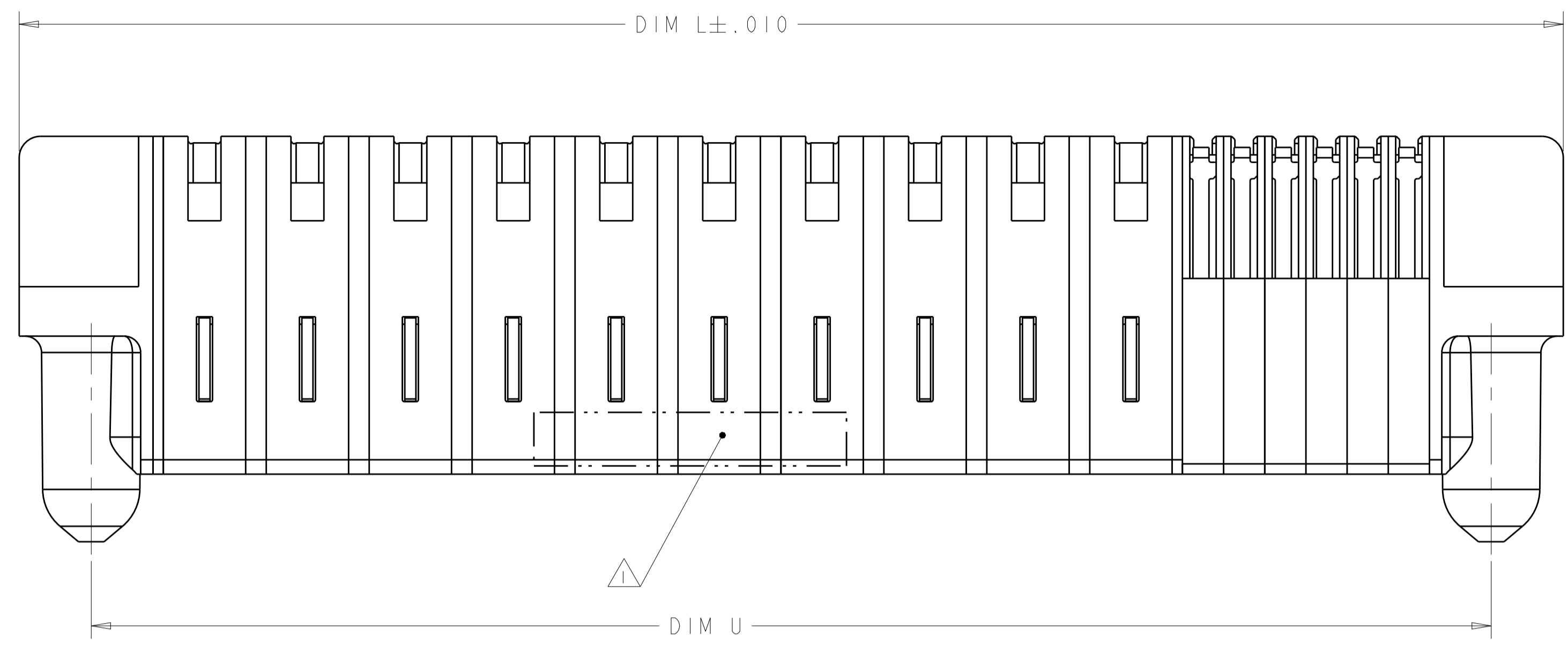




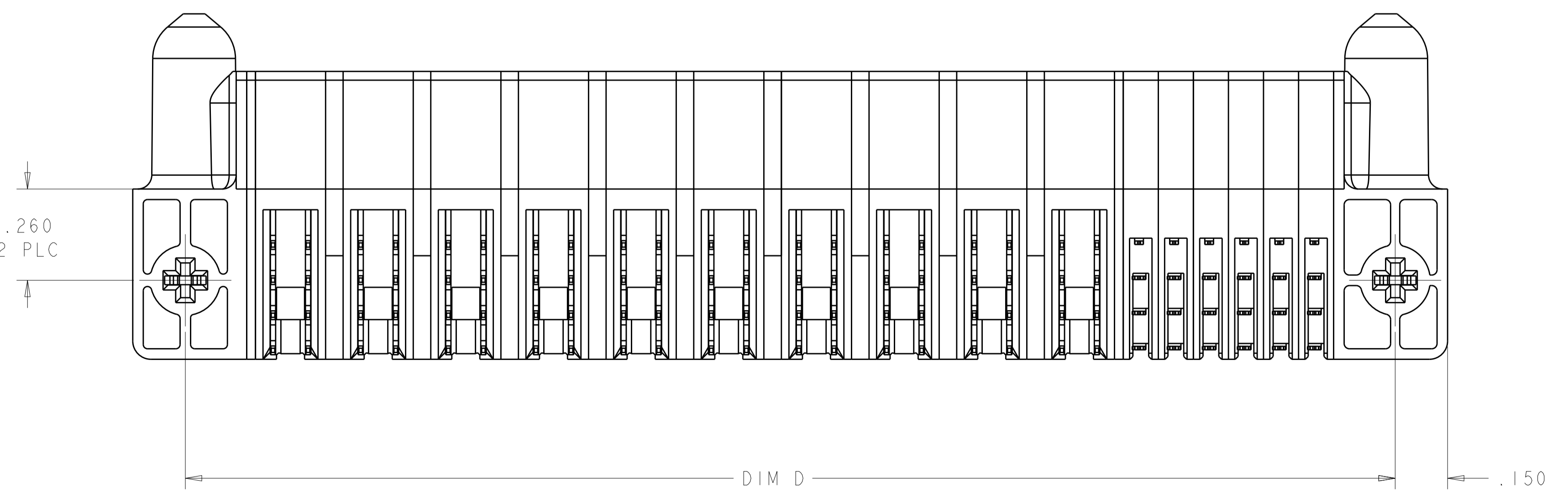
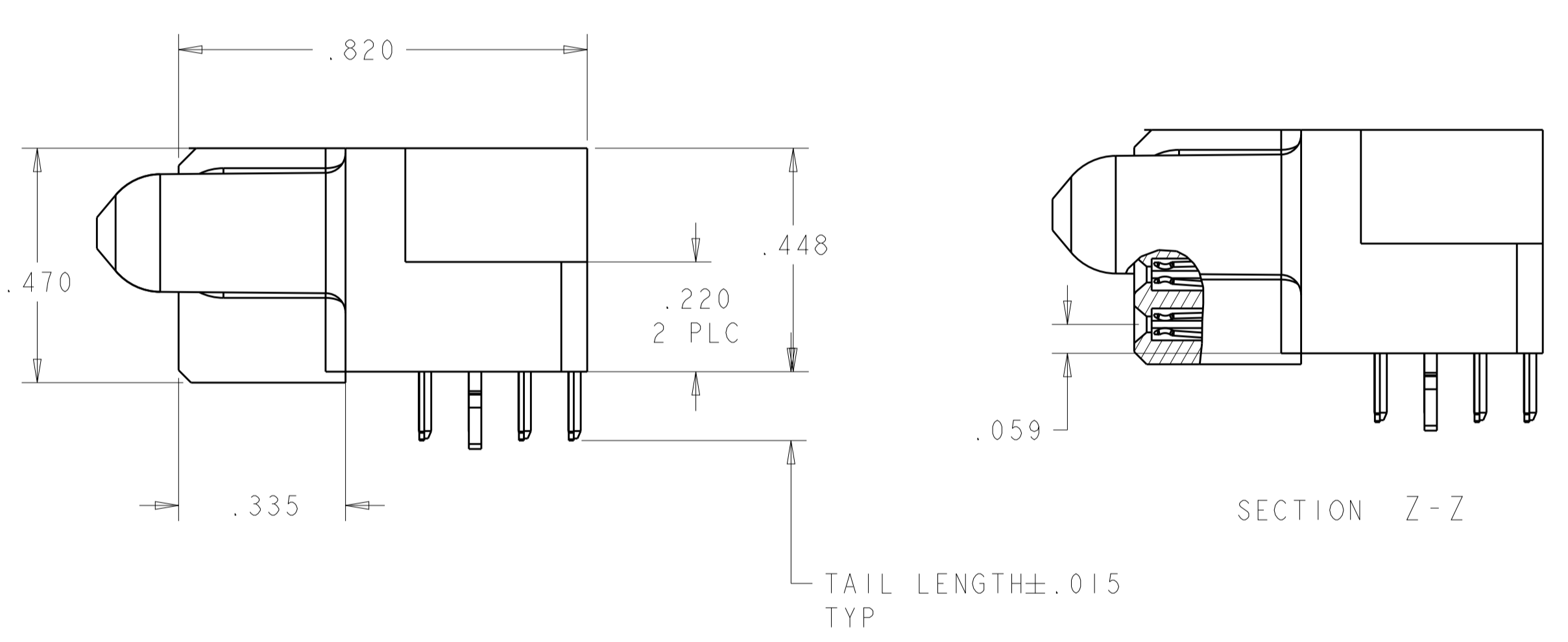
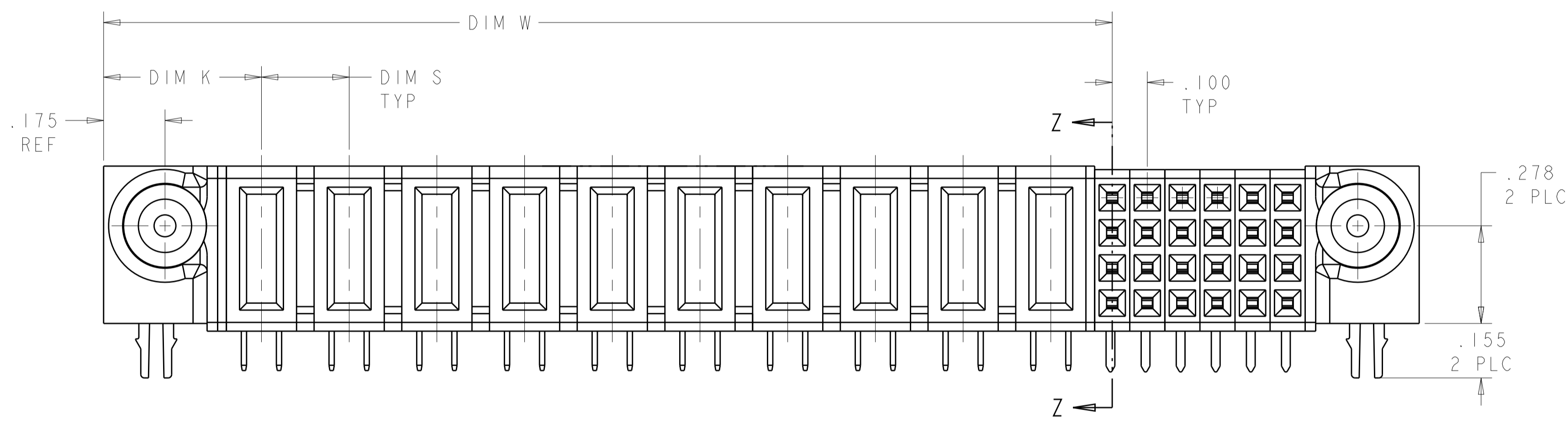
**THE DATASHEET OF**  
**6450161-2**



LOC	DIST	REVISIONS					
		P	LTN	DESCRIPTION	DATE	DMN	APVD
ES	00	D5		REV PER ECR-12-018919	31OCT2012	ML	SZ
		D6		UPDATED	12NOV2012	ML	SZ
		D7		REV PER ECR-13-006264	15APR2013	CZ	SZ



- 1 "AMP", PART NUMBER, AND DATE CODE TO BE MARKED IN AREA SHOWN.
- 2 MATERIAL: HOUSING - GLASS FILLED HIGH TEMP THERMO PLASTIC, UL94 V-0  
 SIGNAL CONTACT - HIGH CONDUCTIVITY COPPER ALLOY  
 POWER CONTACT - HIGH CONDUCTIVITY COPPER ALLOY
- 3 CONTACT PLATING: NOBLE METAL PLATING ON CONTACT FUNCTIONAL AREA OF POWER AND SIGNAL CONTACTS.
- 4 MECHANICAL CONNECTOR KEEP OUT ZONE.
- 5 DATUM AND BASIC DIMENSIONS ESTABLISHED BY CUSTOMER.
- 6 PCB - ALL HOLE DIAMETERS ARE FINISHED HOLE SIZES.
- 7 PCB - .0453 +/- .0010 DRILLED HOLES PLATES WITH .0003 MIN Sn OVER .001 TO .003 PLATING TO ACHIEVE A .040 DIA. HOLE.
- 8 RECEPTACLE ASSY HAS ONE MOUNTING HOLE AND ONE HOLD DOWN.
- 9 NOT RELEASED FOR PRODUCTION.



2.400	.250	1.875	2.450	-	2.750	.450	24S + 6P	I-6450161-7
1.600	.250	1.375	1.650	-	1.950	.450	12S + 4P	I-6450161-6
1.600	.250	1.375	1.650	-	1.950	.450	12S + 4P	I-6450161-5
1.700	.250	1.375	1.750	-	2.050	.450	16S + 4P	I-6450161-3
3.800	.250	2.875	3.850	-	4.150	.450	40S + 10P	I-6450161-1
1.800	.250	1.375	1.850	-	2.150	.450	20S + 4P	I-6450161-0
1.400	.250	1.375	1.450	-	1.750	.450	4S + 4P	6450161-7
2.900	.250	2.375	2.950	-	3.250	.450	24S + 8P	6450161-6
1.800	.250	1.375	1.850	-	2.150	.450	20S + 4P	6450161-5
4.400	.250	3.875	4.450	-	4.750	.450	24S + 14P	6450161-4
3.400	.250	2.875	3.450	-	3.750	.450	24S + 10P	6450161-3
2.400	.250	1.875	2.450	-	2.750	.450	24S + 6P	6450161-2
1.700	.250	1.375	1.750	-	2.050	.450	16S + 4P	6450161-1
DIM U	DIM S	DIM W	DIM D	DIM M	DIM L	DIM K	DESCRIPTION	PART NUMBER

THIS DRAWING IS A CONTROLLED DOCUMENT. DWN: R. GRZYBOWSKI, Z1FEB05  
 CHK: M. PERCZERKE, Z1FEB05

DIMENSIONS: INCHES. TOLERANCES UNLESS OTHERWISE SPECIFIED:  
 0 PLC ±.01  
 1 PLC ±.01  
 2 PLC ±.01  
 3 PLC ±.005  
 4 PLC ±.002  
 ANGLES ±.0020

MATERIAL: 2. FINISH: 3.

APVD: M. PERCZERKE  
 PRODUCT SPEC: 108-1973  
 APPLICATION SPEC: 114-13038  
 WEIGHT: -  
 CUSTOMER DRAWING

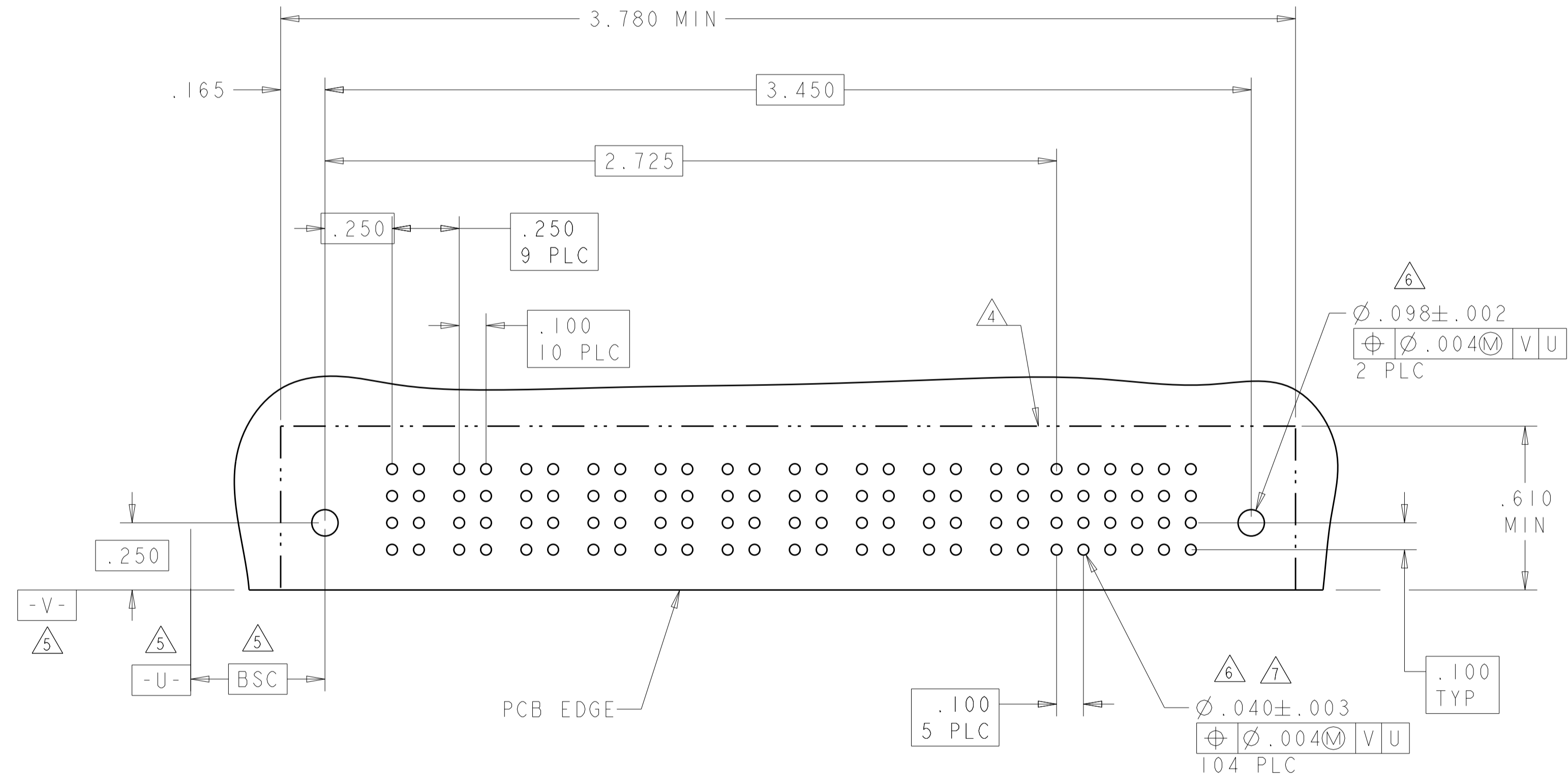
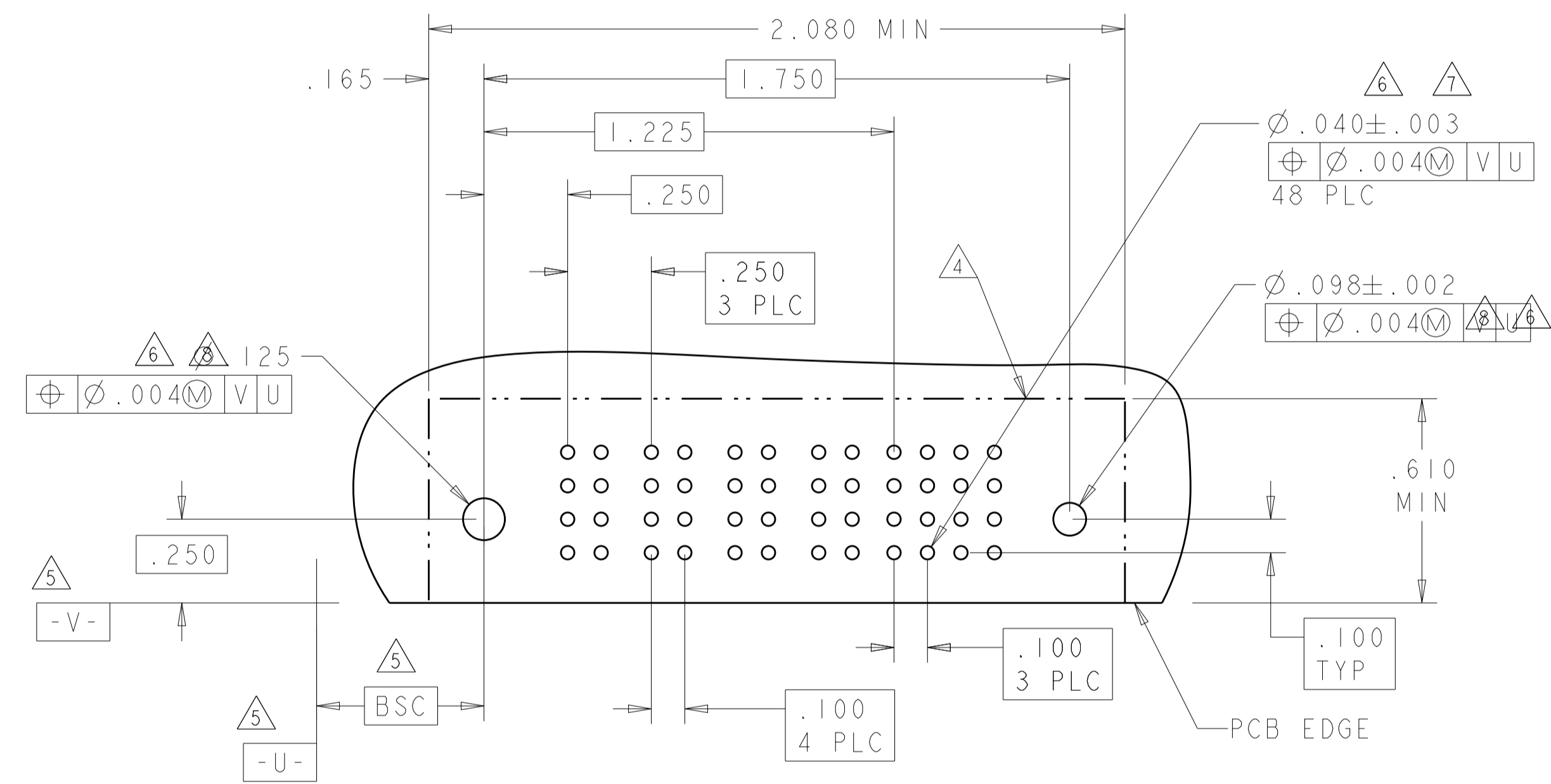
NAME: RIGHT ANGLE RECEPTACLE ASSEMBLY WITH GUIDES, END MODULES MULTI-BEAM XL  
 SIZE: A1  
 CAGE CODE: 6450161  
 DRAWING NO: 100779  
 SCALE: 4:1  
 SHEET: 1 OF 6  
 REV: D7

TE Connectivity

LOC	DIST	REVISIONS					
		P	LTN	DESCRIPTION	DATE	DWN	APVD
ES	00	-	-	SEE SHEET 1	-	-	-

PART NUMBER	ROWS	POWER				SIGNAL				HD
		P4	P3	P2	P1	4	3	2	1	
6450161-1	D C B A	RA	RA	RA	RA	H	H	H	H	HD
						G	G	G	G	
						F	F	F	F	
						E	E	E	E	
16S + 4P										

PART NUMBER	ROWS	POWER										SIGNAL					HD					
		P10	P9	P8	P7	P6	P5	P4	P3	P2	P1	6	5	4	3	2		1				
6450161-3	D C B A	RA	RA	RA	RA	RA	RA	RA	RA	RA	RA	RA	RA	RA	H	H	H	H	H	H	HD	
															G	G	G	G	G	G		
																F	F	F	F	F		F
																E	E	E	E	E		E
24S + 10P																						



CODE	TAIL LENGTH	DESCRIPTION	CODE	TAIL LENGTH	ROW
RM	.135	STD	L	.090	D
RA	.135	MFBL	K	.090	C
RN	.090	STD	J	.090	B
RB	.090	MFBL	I	.090	A
			H	.135	D
			G	.135	C
			F	.135	B
			E	.135	A

POWER CONTACT			SIGNAL CONTACT		
RM	.135	STD	L	.090	D
RA	.135	MFBL	K	.090	C
RN	.090	STD	J	.090	B
RB	.090	MFBL	I	.090	A
			H	.135	D
			G	.135	C
			F	.135	B
			E	.135	A

THIS DRAWING IS A CONTROLLED DOCUMENT.		DWN	R. GRZYBOWSKI	21FEB05
DIMENSIONS:		CHK	M. PERCZERKE	21FEB05
INCHES		APVD	M. PERCZERKE	
TOLERANCES UNLESS OTHERWISE SPECIFIED:		NAME		
0 PLC	±	PRODUCT SPEC		
1 PLC	±.01	108-1973		
2 PLC	±.01	APPLICATION SPEC		
3 PLC	±.005	114-13038		
4 PLC	±.0020	WEIGHT		
ANGLES	±.0020	114-13038		
MATERIAL		FINISH		
		CUSTOMER DRAWING		

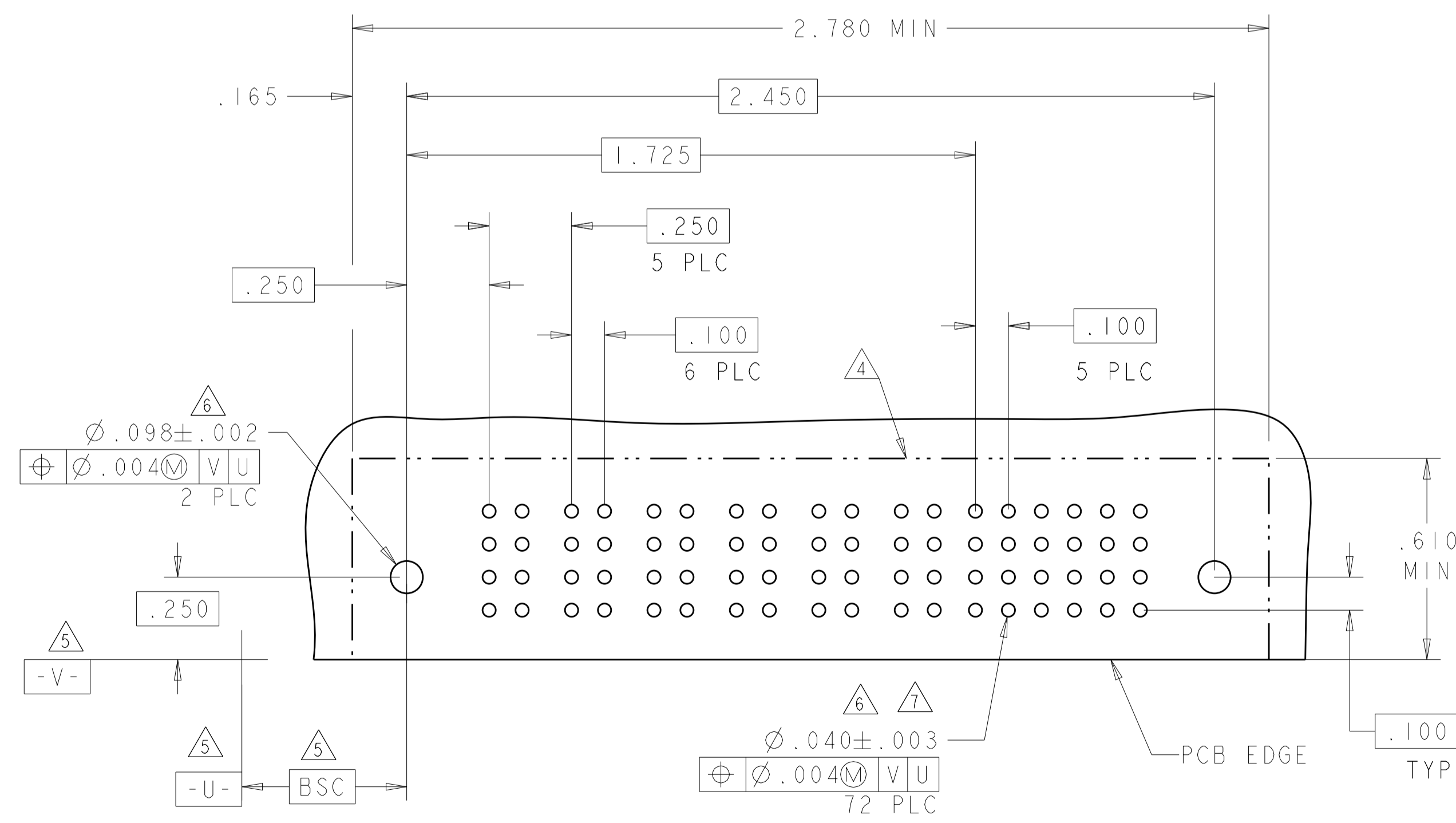
  

		NAME: RIGHT ANGLE RECEPTACLE ASSEMBLY WITH GUIDES, END MODULES MULTI-BEAM XL	
SIZE	A1	CAGE CODE	6450161
SCALE	4:1	SHEET	2 OF 6
REV	7		

PART NUMBER	ROWS	POWER						SIGNAL																	
		P6	P5	P4	P3	P2	P1	6	5	4	3	2	1												
		6450161-2	D C B A	RA	RA	RA	RA	RA	RA	H	H	H	H	H	H	F	F	F	F	F	F	E	E	E	E
24S + 6P																									

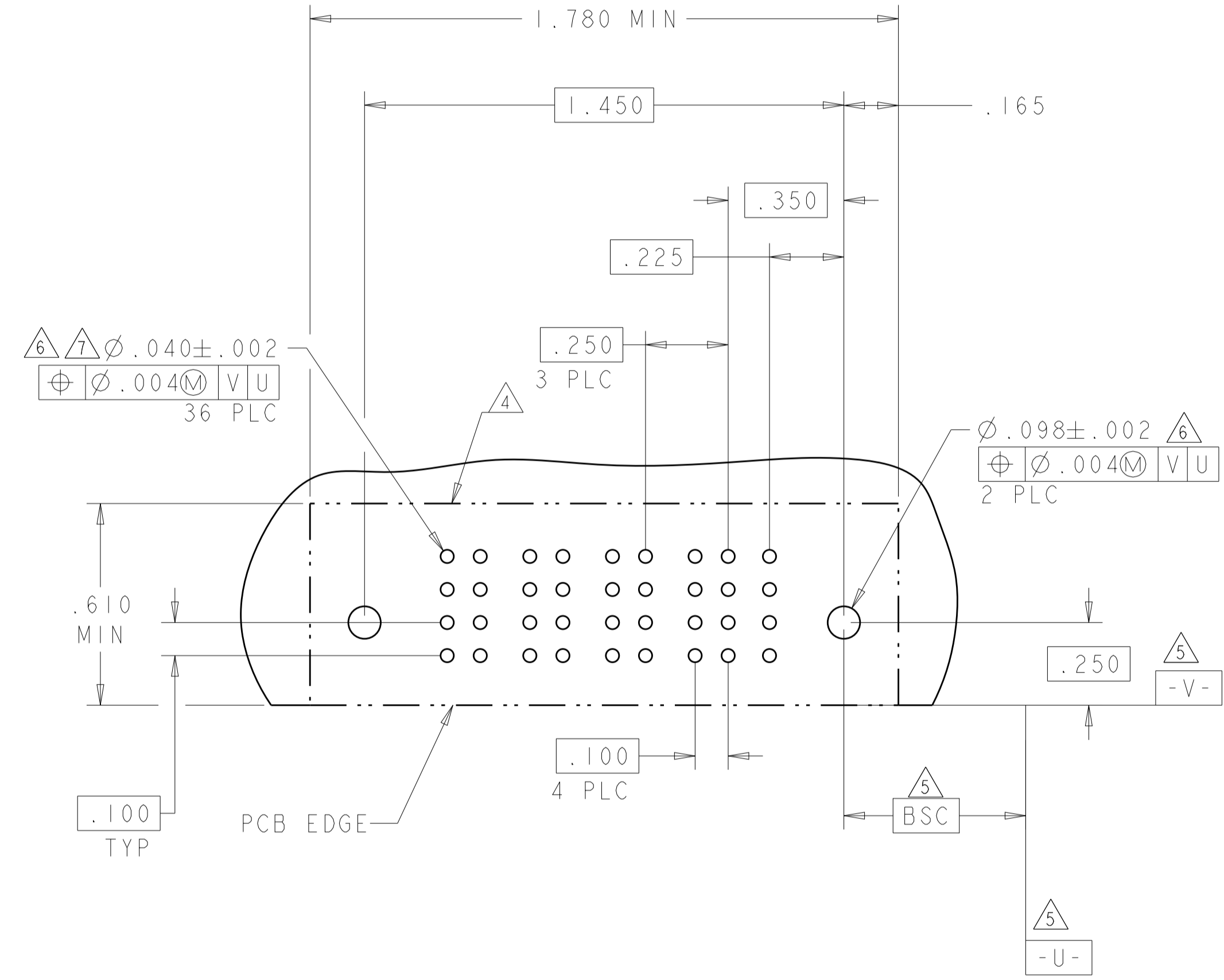
PART NUMBER	ROWS	POWER						SIGNAL																	
		P6	P5	P4	P3	P2	P1	6	5	4	3	2	1												
		1-6450161-7	D C B A	RA	RA	RA	RA			H	H	H	H	H	H	F	F	F	F	F	F	E	E	E	E
24S + 6P																									

NO CONTACTS LOADED



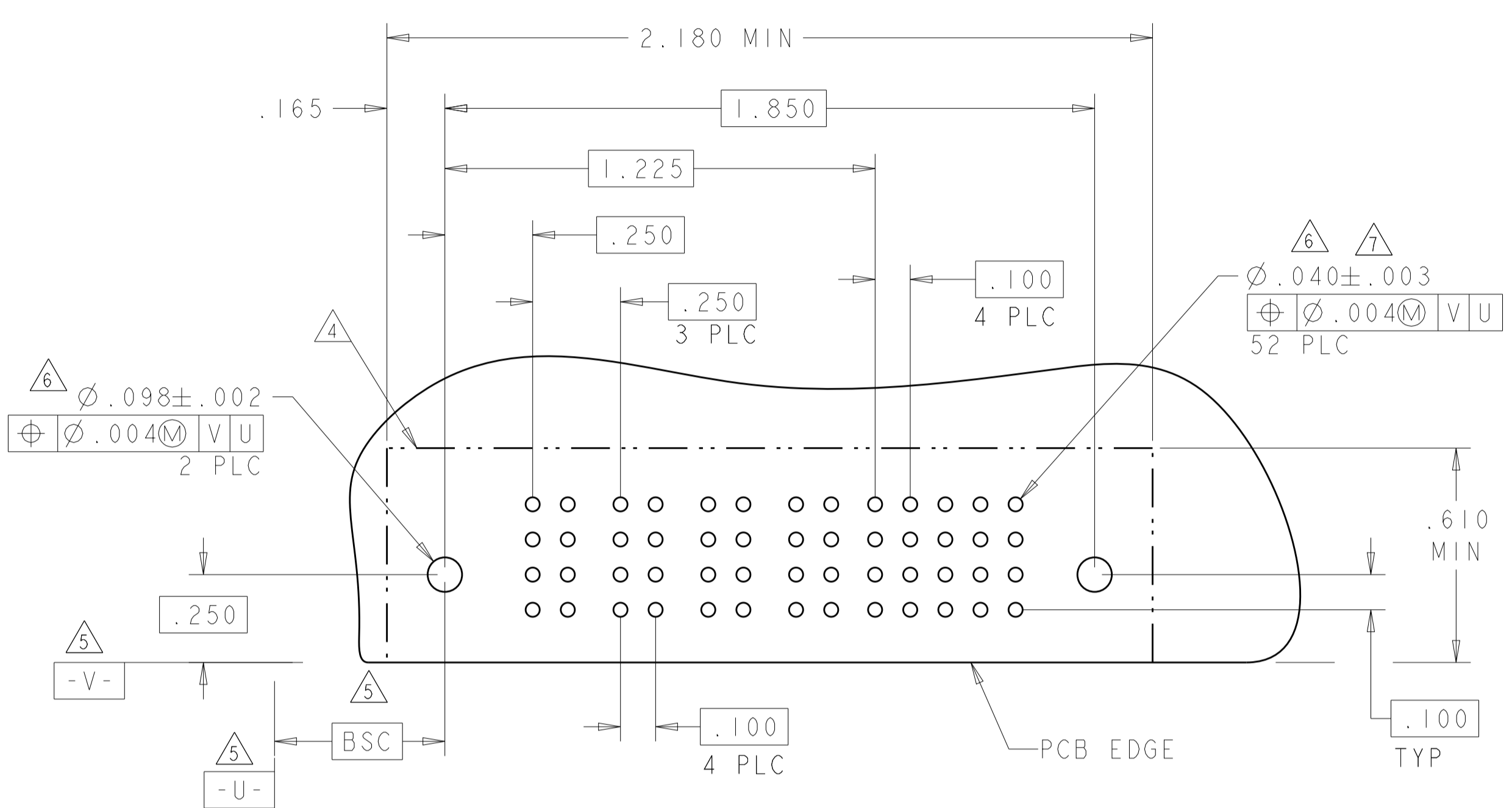
PCB LAYOUT FOR PART NUMBER: 6450161-2, 1-6450161-7

PART NUMBER	ROWS	POWER				SIGNAL	
		P4	P3	P2	P1	I	
6450161-7	D C B A	RM	RM	RM	RM	H	
						G	
						F	
						E	
4S + 4P							

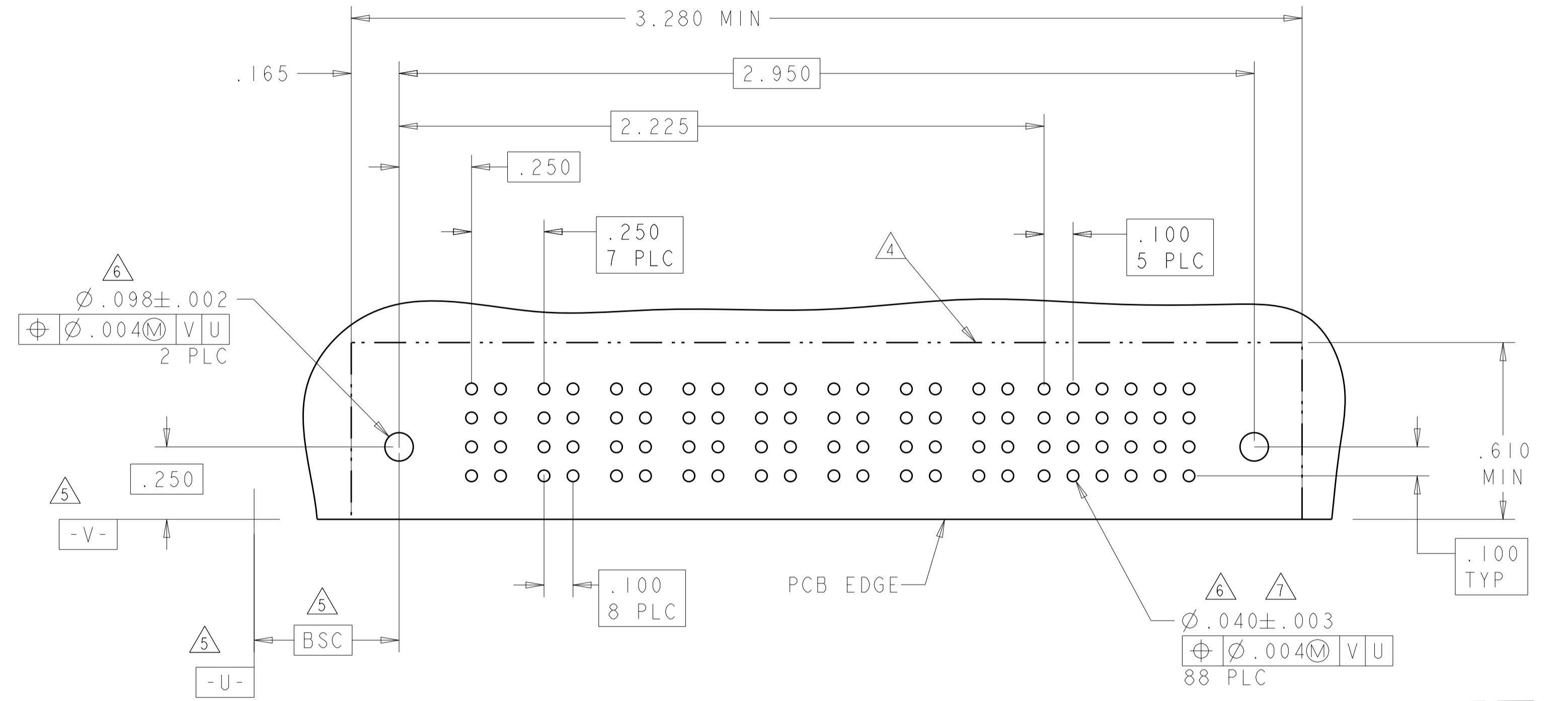


THIS DRAWING IS A CONTROLLED DOCUMENT.		DWN	
DIMENSIONS:		CHK	
TOLERANCES UNLESS OTHERWISE SPECIFIED:		APVD	NAME
0 PLC ± 1 PLC ± 2 PLC ± 3 PLC ± 4 PLC ± ANGLES ±		PRODUCT SPEC	
MATERIAL		APPLICATION SPEC	SIZE CAGE CODE DRAWING NO
FINISH		WEIGHT	RESTRICTED TO
		SCALE	SHEET OF REV

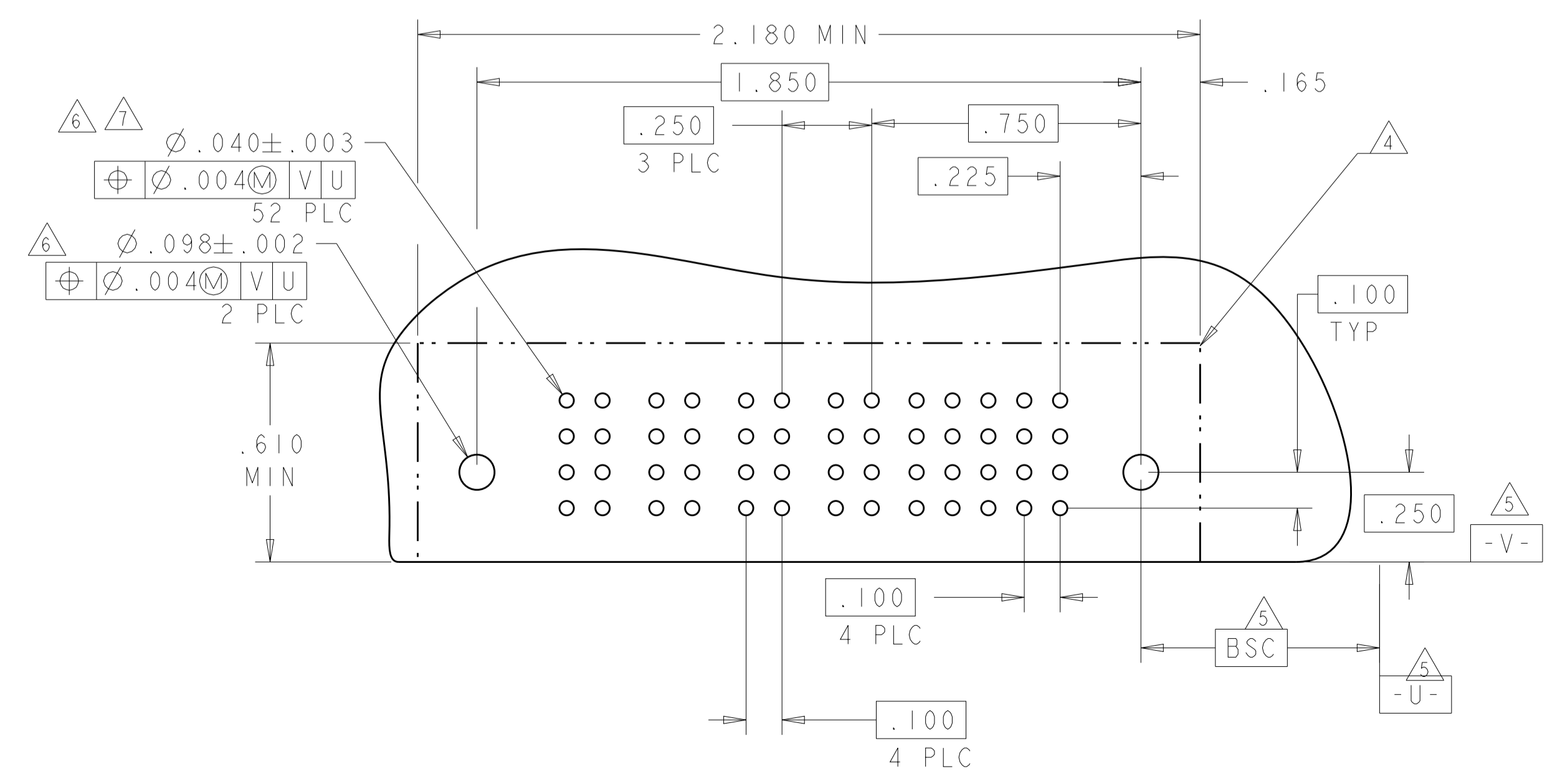
PART NUMBER	ROWS	POWER				SIGNAL				
		P4	P3	P2	P1	5	4	3	2	1
6450161-5	D C B A	RA	RA	RA	RA	H	H	H	H	H
						G	G	G	G	G
						F	F	F	F	F
						E	E	E	E	E
20S + 4P		HD		HD						



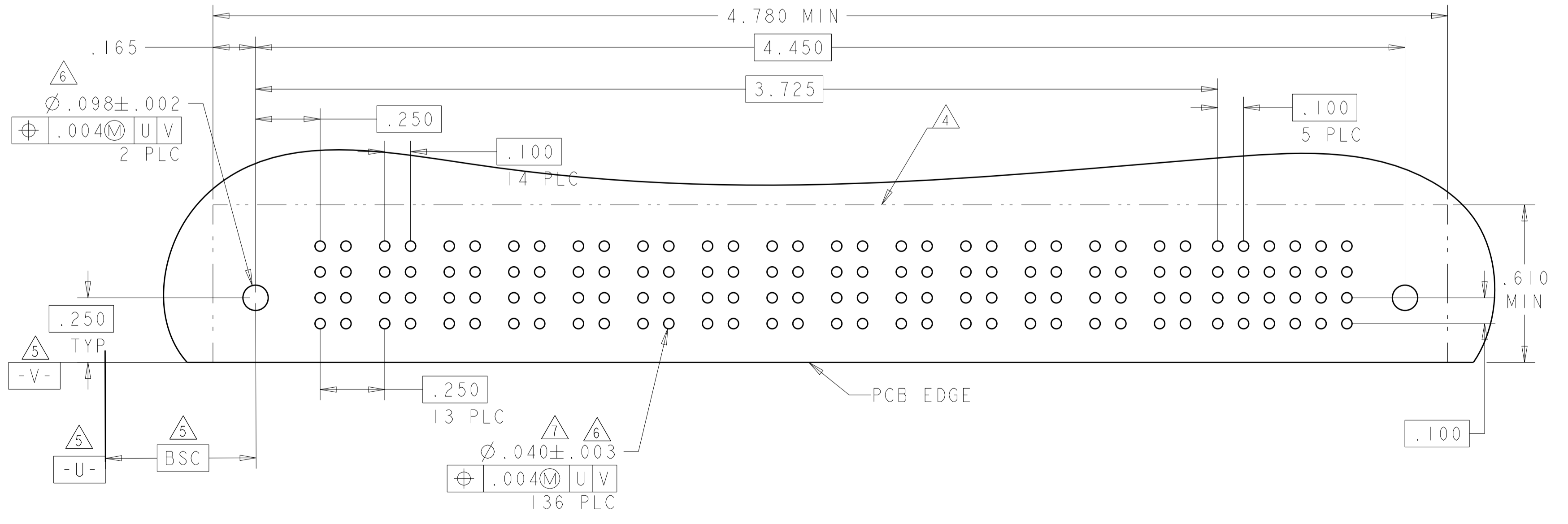
PART NUMBER	ROWS	POWER								SIGNAL				
		P8	P7	P6	P5	P4	P3	P2	P1	6	5	4	3	2
6450161-6	D C B A	RA	RA	RA	RA	RA	RA	RA	RA	H	H	H	H	H
										G	G	G	G	G
										F	F	F	F	F
										E	E	E	E	E
24S + 8P		HD		HD										



PART NUMBER	ROWS	POWER				SIGNAL				
		P4	P3	P2	P1	5	4	3	2	1
1-6450161-0	D C B A	RM	RM	RM	RM	H	H	H	H	H
						G	G	G	G	G
						F	F	F	F	F
						E	E	E	E	E
20S + 4P		HD		HD						



PART NUMBER	ROWS	POWER														SIGNAL										
		P14	P13	P12	P11	P10	P9	P8	P7	P6	P5	P4	P3	P2	P1	6	5	4	3	2	1					
6450161-4	D C B A	RA	RA	RA	RA	RA	RA	RA	RA	RA	RA	RA	RA	RA	RA	RA	RA	RA	RA	RA	RA	H	H	H	H	H
																						G	G	G	G	G
																						F	F	F	F	F
																						E	E	E	E	E
24S + 14P		HD		HD																						



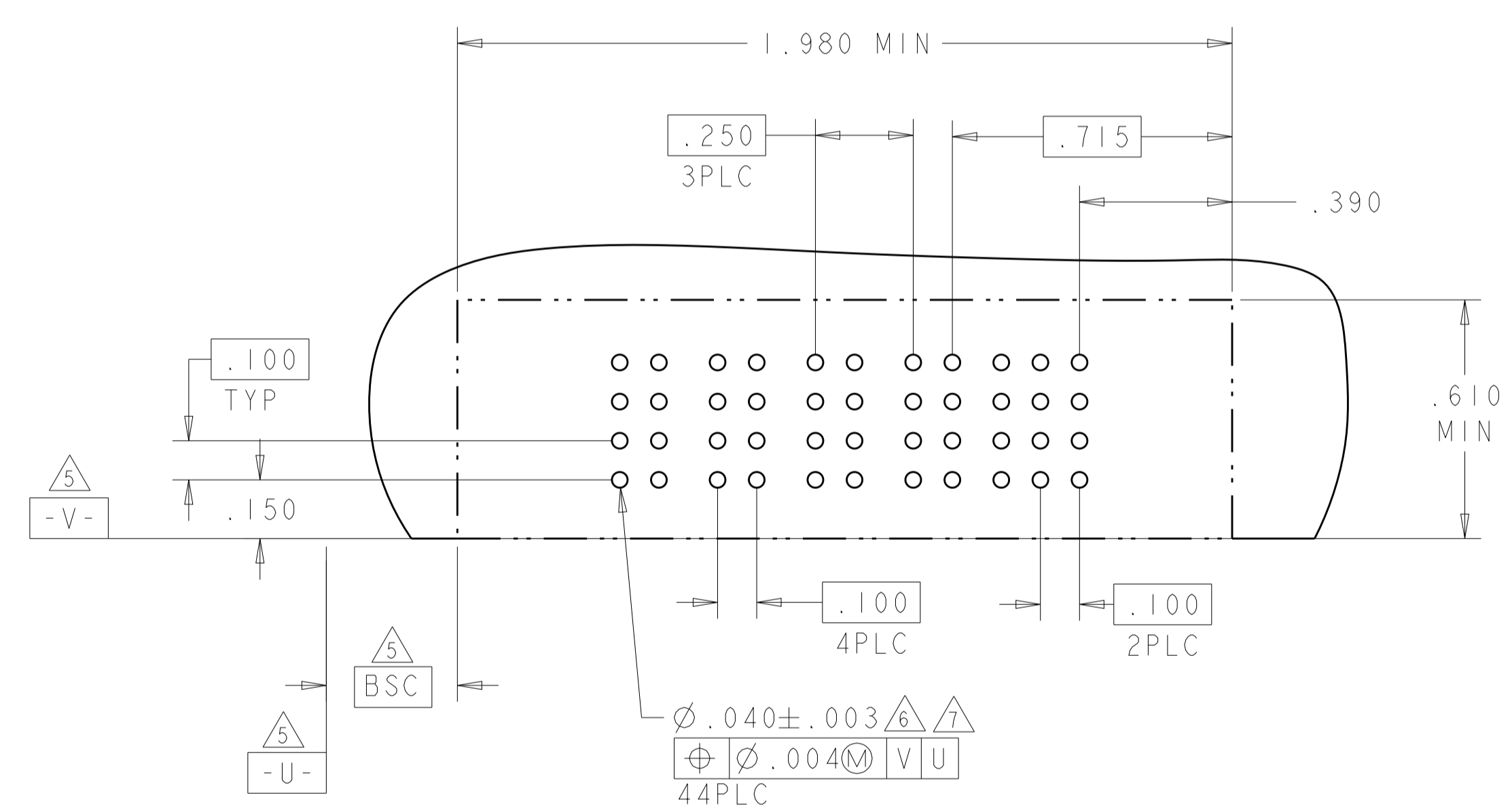
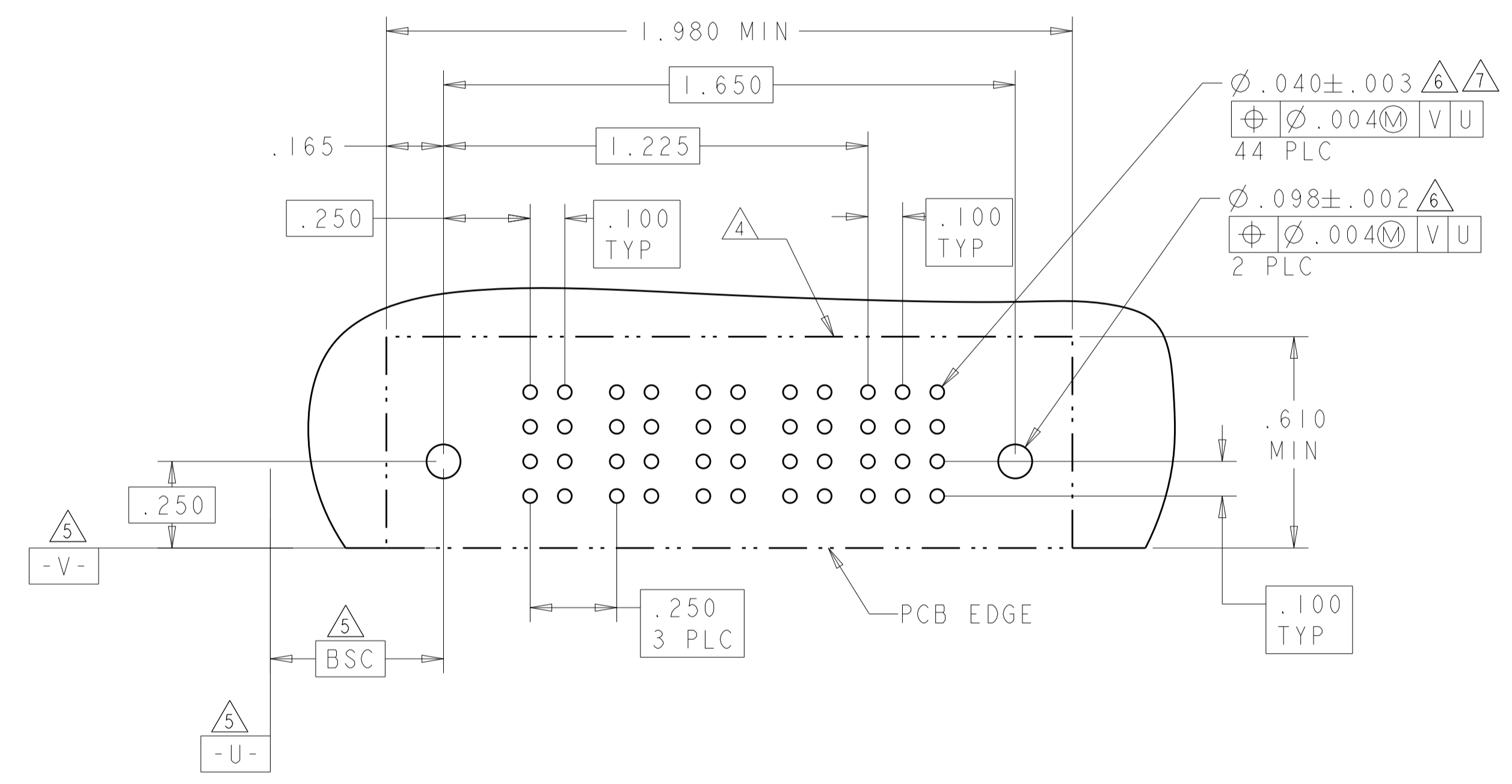
THIS DRAWING IS A CONTROLLED DOCUMENT.		OWN R. GRZYBOWSKI	21FEB05	<b>STE</b> TE Connectivity
DIMENSIONS: INCHES		CHK M. PERCERKE	21FEB05	
TOLERANCES UNLESS OTHERWISE SPECIFIED:		APVD M. PERCERKE	NAME	RIGHT ANGLE RECEPTACLE ASSEMBLY WITH GUIDES, END MODULES MULTI-BEAM XL
0 PLC ± .01		PRODUCT SPEC	108-1973	
1 PLC ± .01		APPLICATION SPEC	114-13038	
2 PLC ± .005		WEIGHT	A100779	
3 PLC ± .005		CAGE CODE	DRAWING NO	RESTRICTED TO
4 PLC ± .002		SCALE	4:1	SHEET 4 OF 6
ANGLES ± .002		CUSTOMER DRAWING	SCALE	REV D7



LOC		DIST		REVISIONS			
P	LTN	DESCRIPTION	DATE	DMN	APVD		
-	-	SEE SHEET 1	-	-	-	-	-

PART NUMBER	ROWS	POWER				SIGNAL		
		P4	P3	P2	P1	3	2	1
1-6450161-5	D C B A	RM	RM	RM	RM	H G F E	H G F E	H G F E
12S + 4P		HD						HD

PART NUMBER	ROWS	POWER				SIGNAL		
		P4	P3	P2	P1	3	2	1
1-6450161-6	D C B A	RM	RM	RM	RM	H G F E	H G F E	H G F E
12S + 4P								



THIS DRAWING IS A CONTROLLED DOCUMENT.		DMN: R.GRZYBOWSKI 21FEB05	TE Connectivity												
DIMENSIONS: INCHES		CHK: M.PERCHEKE 21FEB05													
TOLERANCES UNLESS OTHERWISE SPECIFIED:		APVD: M.PERCHEKE	NAME: RIGHT ANGLE RECEPTACLE ASSEMBLY WITH GUIDES, END MODULES MULTI-BEAM XL												
<table border="1"> <tr><td>0 PLC</td><td>±</td></tr> <tr><td>1 PLC</td><td>±.01</td></tr> <tr><td>2 PLC</td><td>±.01</td></tr> <tr><td>3 PLC</td><td>±.005</td></tr> <tr><td>4 PLC</td><td>±.0020</td></tr> <tr><td>ANGLES</td><td>±.0020</td></tr> </table>		0 PLC	±	1 PLC	±.01	2 PLC	±.01	3 PLC	±.005	4 PLC	±.0020	ANGLES	±.0020	PRODUCT SPEC: 108-1973	SIZE: A1
0 PLC	±														
1 PLC	±.01														
2 PLC	±.01														
3 PLC	±.005														
4 PLC	±.0020														
ANGLES	±.0020														
MATERIAL: -		APPLICATION SPEC: 114-13038	CAGE CODE: 6450161												
FINISH: -		WEIGHT: -	RESTRICTED TO: -												
CUSTOMER DRAWING		SCALE: 4:1	SHEET 6 OF 6 REV: 7												

## Looking for pricing, stock, or lifecycle information?

Click below to explore more details on WIN SOURCE:

 [View 6450161-2 on WIN SOURCE](#)

 [TE Connectivity](#) Information

## Optimize Your Supply Chain with WIN SOURCE Solutions

-  Global Sourcing Solution
-  Obsolete Management
-  Cost Control Management
-  Shortage Management
-  Alternative Solution
-  Excess Inventory Management