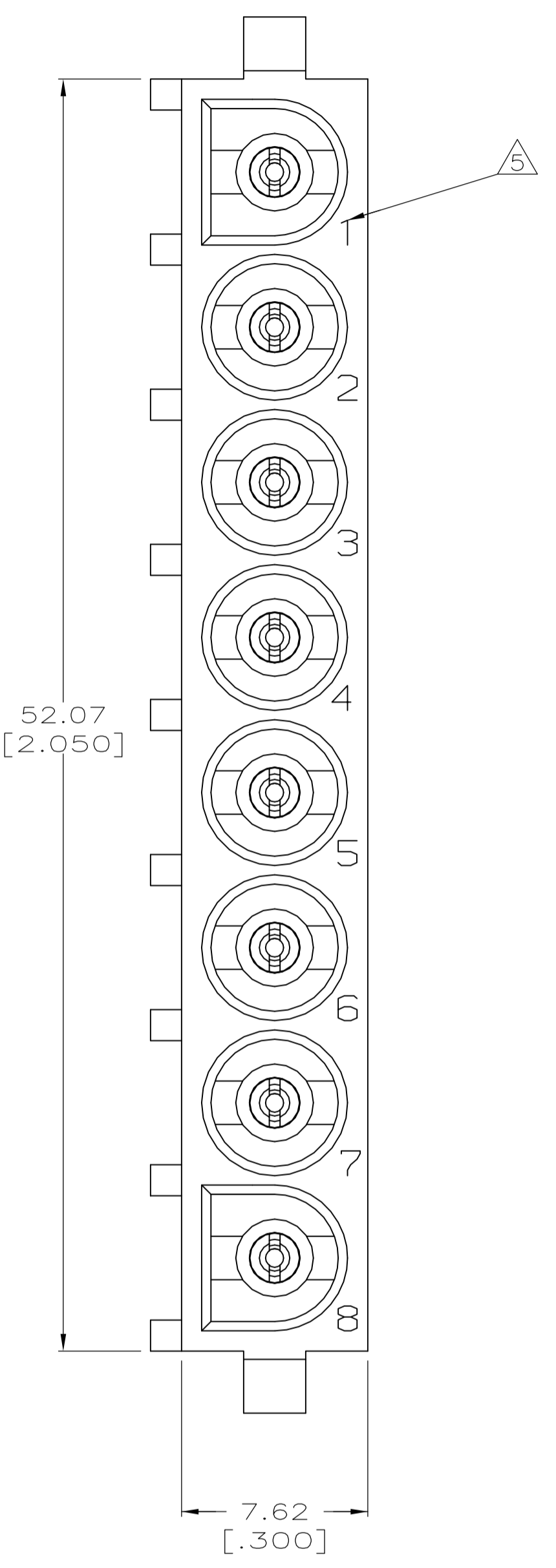
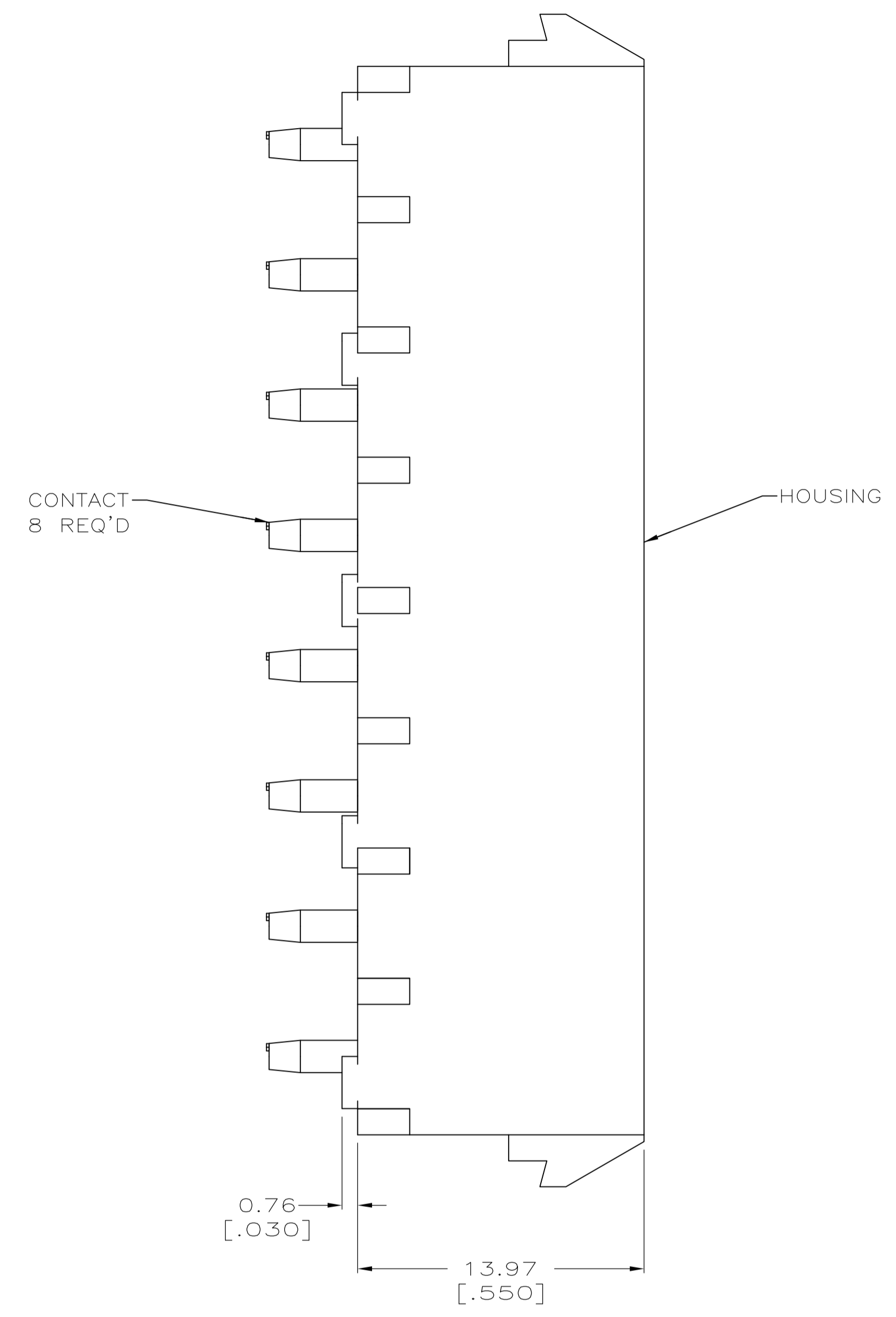
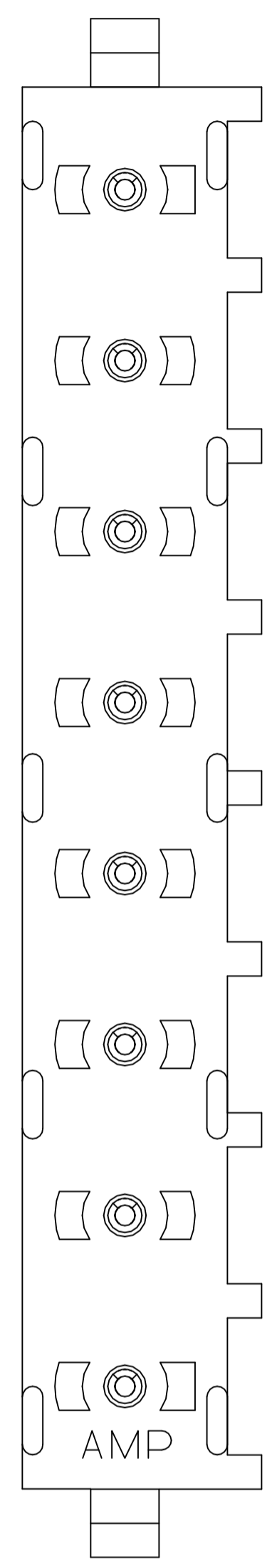
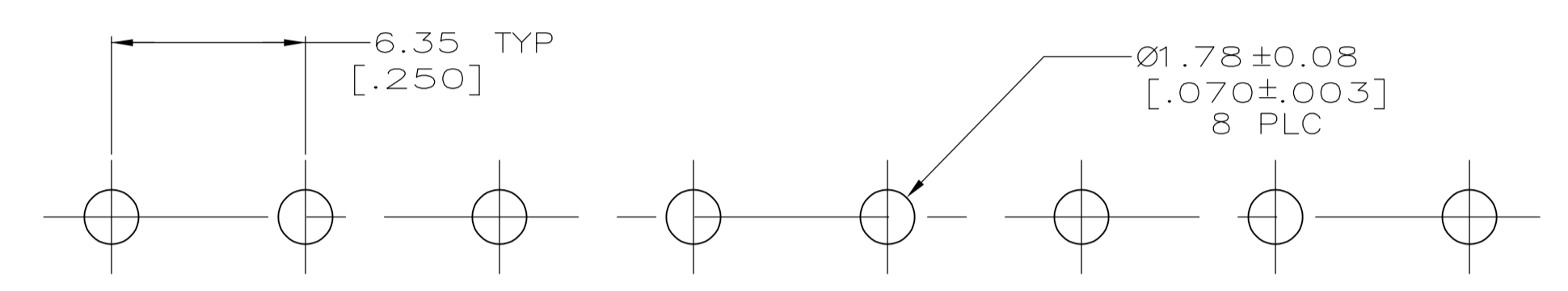


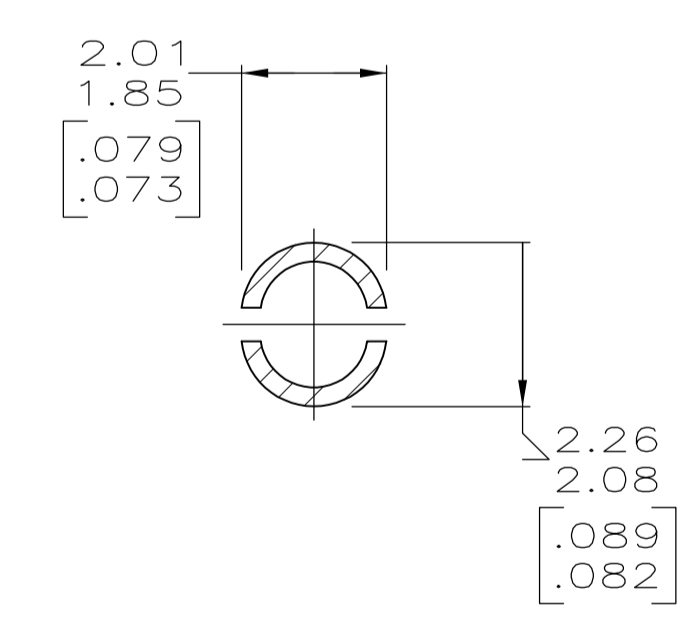
LOC		DIST		REVISIONS			
P	LTR	DESCRIPTION	DATE	DWN	APVD		
M	REV PER EC	OG1B-0261-98	28-JAN-99	BL	RS		
M1	REVISED PER ECR	14-017307	02JAN15	AV	DZ		



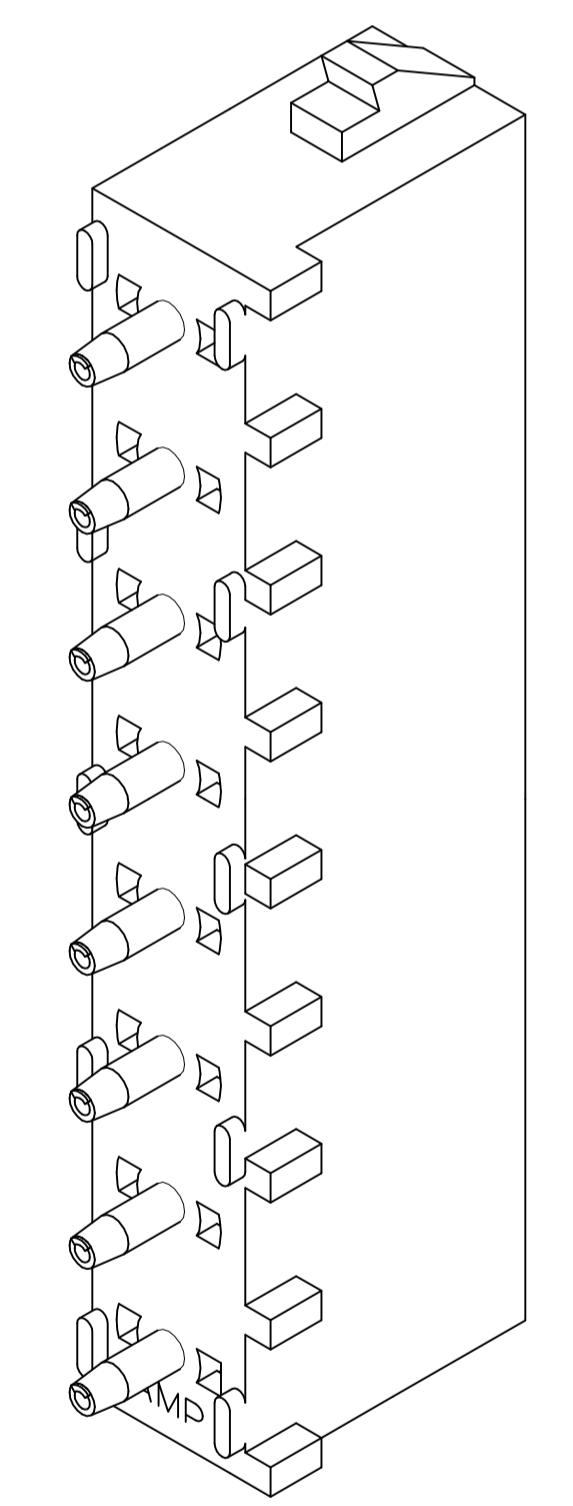
- PARTS COMPLY WITH TE SOLDERABILITY SPECIFICATION 109-11-3.
- DIMENSIONS IN BRACKETS ARE IN INCHES.
- CIRCUIT IDENTIFICATION CHARACTERS ARE ADJACENT TO THE INDICATED CAVITIES, BUT LOCATION AND ORIENTATION MAY DIFFER FROM PRINT.
- PRELIMINARY PART. NOT RELEASED FOR PRODUCTION.



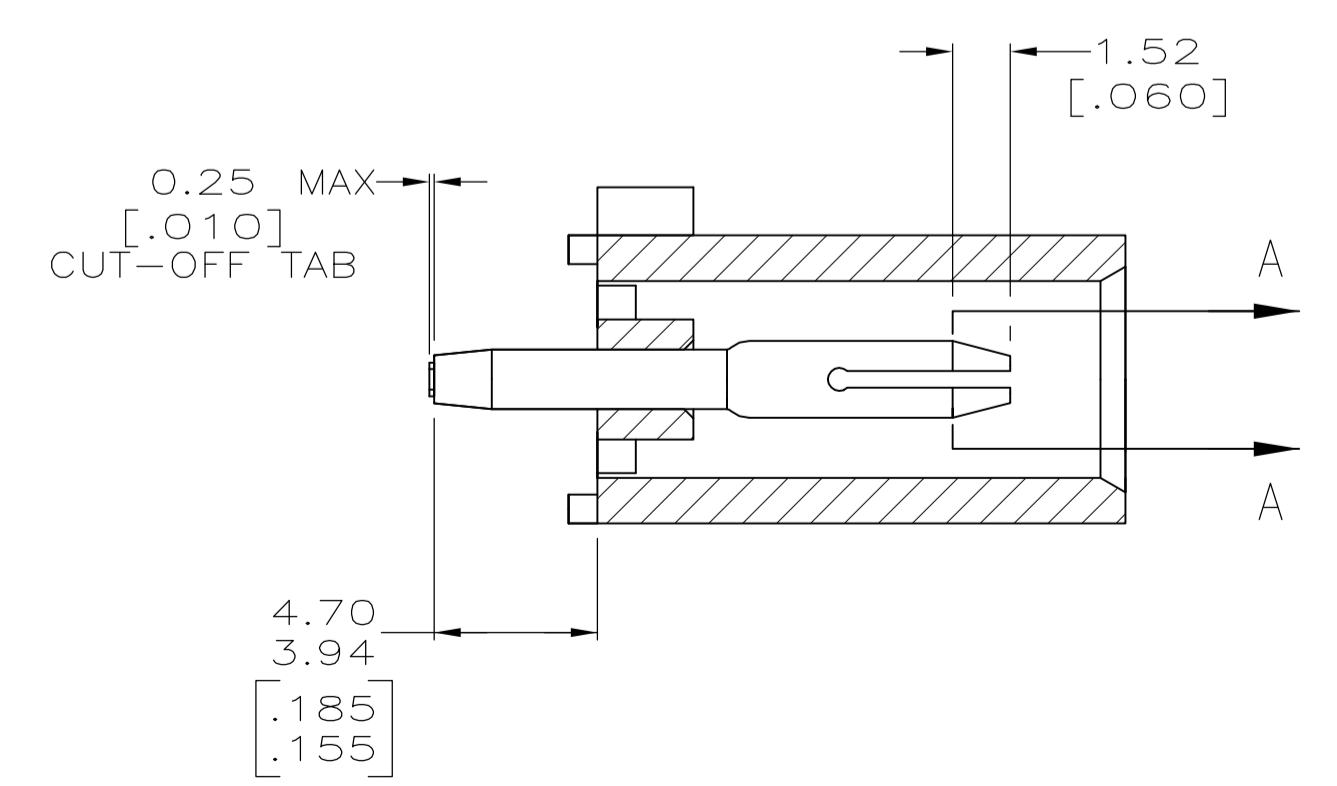
RECOMMENDED MOUNTING HOLE PATTERN FOR 1.57 [.062] THICK P.C. BOARD



SECTION A-A SCALE 10:1



3-DIMENSIONAL MODEL NTS




PHOSPHOR BRONZE, PRE-TIN	NYLON, UL94V-0, RED	641828-2
PHOSPHOR BRONZE, PRE-TIN	NYLON, UL94V-0, WHITE	641828-1
PIN CONTACT MATERIAL AND FINISH	HOUSING MATERIAL	PART NO.

THIS DRAWING IS A CONTROLLED DOCUMENT.		DIN T. BECK 12-3-93	TE Connectivity
DIMENSIONS: mm [INCHES]		CHK R. SWING 12-3-93	
TOLERANCES UNLESS OTHERWISE SPECIFIED:		APVD D. SELF 12-14-93	NAME
0 PLC ± -	1 PLC ± -	PRODUCT SPEC	PIN HEADER ASSEMBLY, 8 CIRCUIT, UNIVERSAL MATE-N-LOK
2 PLC ± 0.13 [.005]	3 PLC ± -	APPLICATION SPEC	108-1053
4 PLC ± -	ANGLES ± -	SIZE	114-1010
MATERIAL SEE TABLE	FINISH SEE TABLE	WEIGHT	A1 00779 C=641828
CUSTOMER DRAWING		SCALE 5:1	SHEET 1 OF 1 REV M1

METRIC

Looking for pricing, stock, or lifecycle information?

Click below to explore more details on WIN SOURCE:

 [View 641828-1 on WIN SOURCE](#)

 [TE Connectivity](#) Information

Optimize Your Supply Chain with WIN SOURCE Solutions

-  Global Sourcing Solution
-  Obsolete Management
-  Cost Control Management
-  Shortage Management
-  Alternative Solution
-  Excess Inventory Management