



THE DATASHEET OF
5988810307F



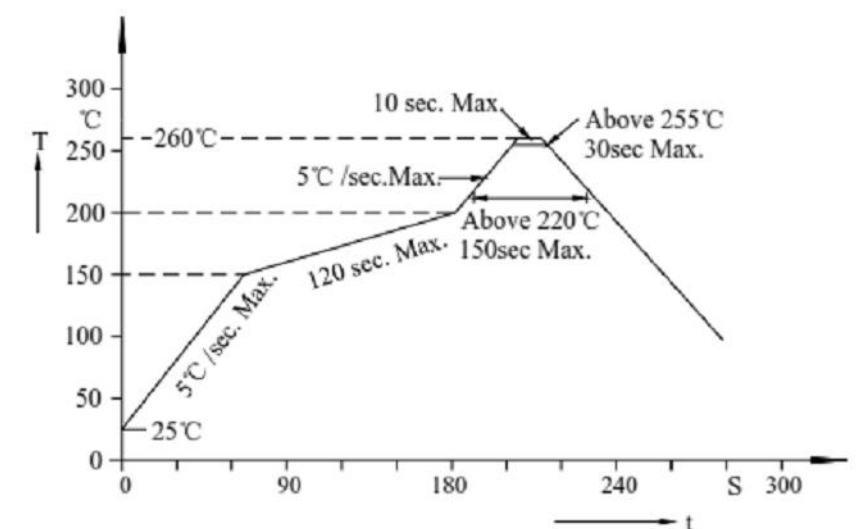
OPERATING CHARACTERISTICS AT 25°C AMBIENT

DIALIGHT PART NUMBER	COLOR	LUMINOUS INTENSITY (mcd) @I _F = 20 mA		FORWARD VOLTAGE (V) @I _F = 20 mA		REVERSE CURRENT (mA) @V _R = 5 V	DOMINANT WAVELENGTH		VIEWING ANGLE (DEG)
		MIN	MAX	MIN	MAX	MAX	MIN	MAX	TYP
598-8810-307F	RED	35	100	1.8	2.4	10	630	640	160
	GREEN	200	560	2.7	3.5		515	530	
	BLUE	60	200	2.7	3.5		465	475	
598-8820-307F	RED-ORANGE	70	200	1.8	2.4	10	600	610	160
	GREEN	200	560	2.7	3.5		515	530	
	BLUE	60	200	2.7	3.5		465	475	
598-8830-307F	YELLOW	70	200	1.8	2.4	10	587	597	160
	GREEN	200	560	2.7	3.5		515	530	
	BLUE	60	200	2.7	3.5		465	475	

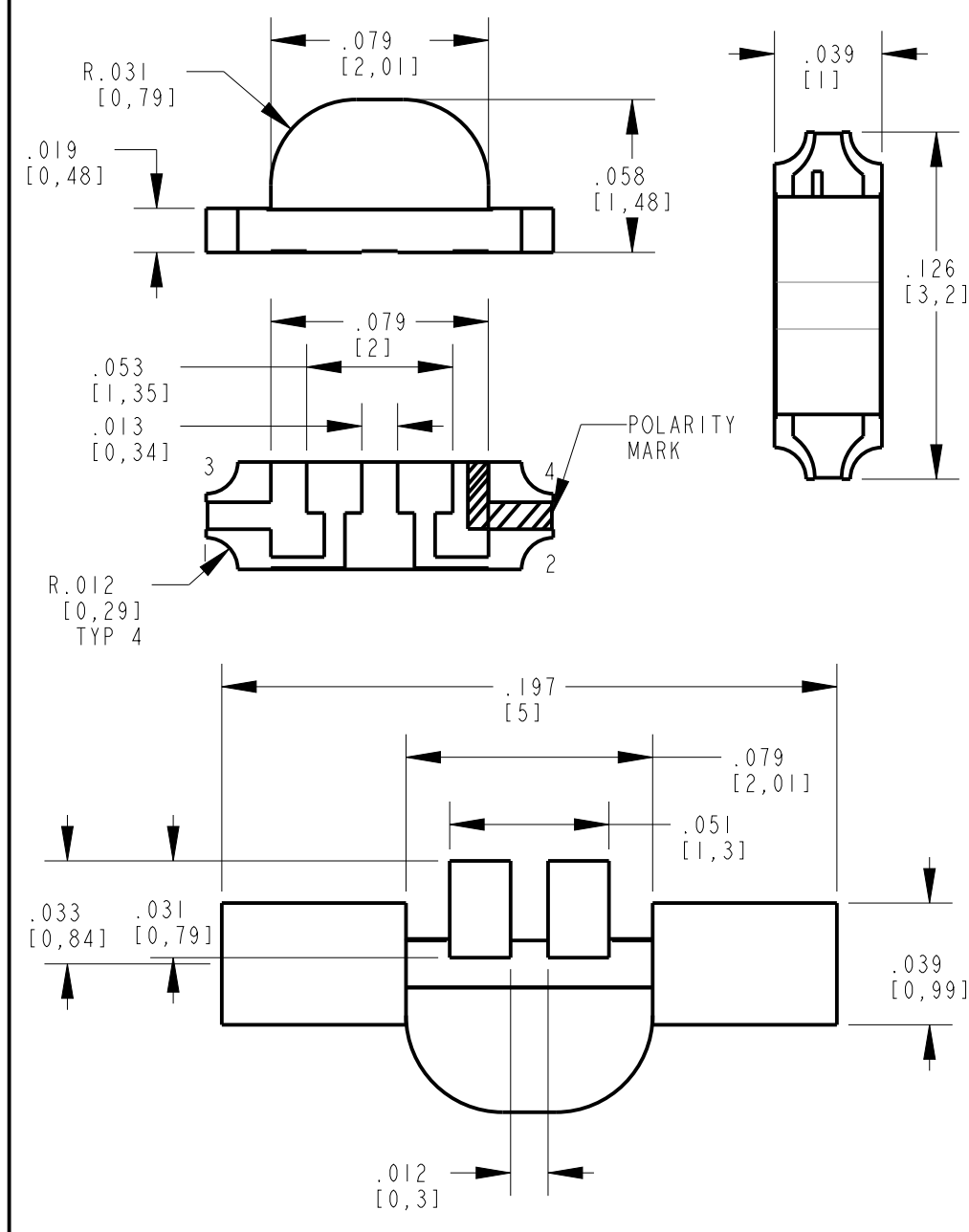
ABSOLUTE MAXIMUM RATINGS AT 25°C AMBIENT

POWER DISS. (mW)	DC FORWARD CURRENT (mA)	ELECTRO-STATIC DISCHARGE (HBM)	REVERSE VOLTAGE (V)	STORAGE TEMP. (C)	OPERATING TEMP. (C)	SOLDERING TEMP. (1/10 SEC)
48	20	1000	5	-40 TO +100		260 °C
68	20	1000	5	-40 TO +100		
68	20	1000	5	-40 TO +100		
48	20	1000	5	-40 TO +100		
68	20	1000	5	-40 TO +100		
68	20	1000	5	-40 TO +100		
48	20	1000	5	-40 TO +100		
68	20	1000	5	-40 TO +100		
68	20	1000	5	-40 TO +100		

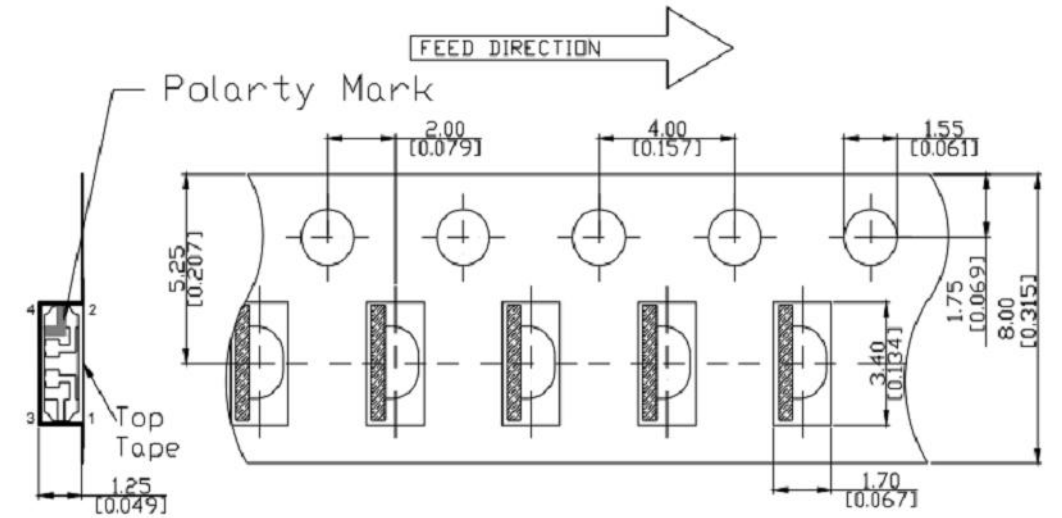
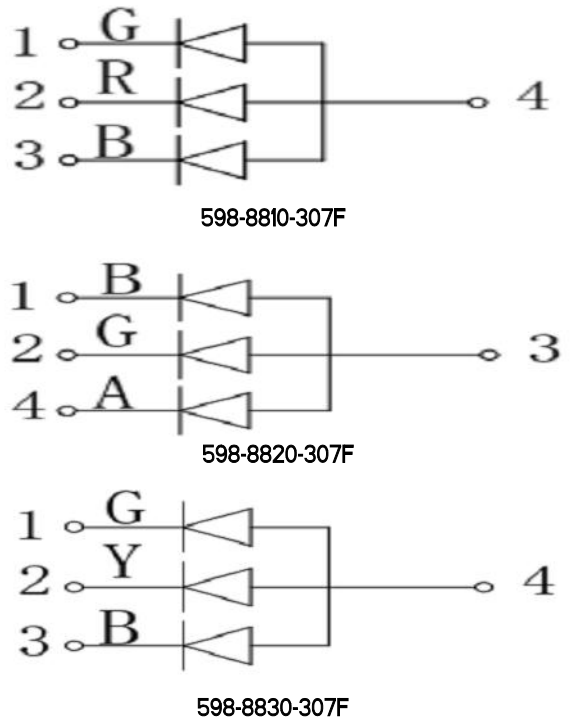
REV	ECN NO	REVISIONS	DRN	CKD	APP	DATE
A	—	NEW RELEASE	BP	—	SK	11-15-16



RECOMMENDED RoHS SOLDER PROFILE



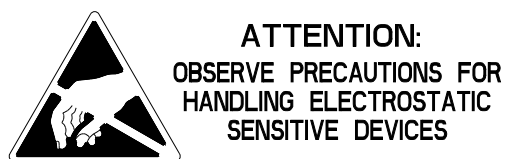
LED SCHEMATICS



RECOMMENDED DIMENSIONS OF TAPE AND REEL

RoHS COMPLIANT 597-88XX-307F

Part Numbers with the "F" suffix ending are RoHS Compliant. For example: 597-7725-60XF. Packaging is marked with "RoHS Compliant" label or equivalent markings. These parts can be used with RoHS reflow profile. Parts can be wave soldered, dip soldered or hand soldered using typical lead-free soldering process with max 260°C temp. for 5 sec.



NOTES:

- LED CHIP: InGaN AND ALLnGaP
- LEADS ARE GOLD (Au) PLATED FINISH.
- PACKAGING: 8mm TAPE, 7" REEL AND 20/STRIP
- THIS ASSEMBLY CONTAINS ELECTROSTATIC DISCHARGE SENSITIVE DEVICES (ESDS). MAINTAIN ALL PRECAUTIONARY MEASURES DURING ASSEMBLY, HANDLING, AND STORAGE IN ACCORDANCE WITH IPC-A-610.
- MOISTURE SENSITIVITY LEVEL 3.
- TAPE AND REEL LEDS MAY REQUIRE RE-TAPING AFTER TWELVE MONTHS.
- PIN NUMBERS FOR REFERENCE ONLY, DESIGNATION NON-EXISTENT ON PART.

RECOMMENDED SOLDER PAD LAYOUT

THIS DRAWING AND THE CONTENTS HEREIN ARE CONFIDENTIAL AND THE SOLE PROPERTY OF DIALIGHT. REPRODUCTION OF THIS DRAWING OR CONSTRUCTION OF ANY PARTS WITHIN THIS DRAWING ARE FORBIDDEN WITHOUT THE WRITTEN CONSENT OF DIALIGHT.		
SCALE: 15.000 ALL DIM'S IN: INCHES (MM)	DRAWING NUMBER C-18301	REV A
TOLERANCES: UNLESS OTHERWISE SPECIFIED FRACTIONS: ±1/64 DECIMALS (.XX): ±.01 DECIMALS (.XXX): ±.005 DECIMALS (.XXXX): ±.0005 ANGLES: ±1°	TITLE SM LED 1208 TRI COLOR	
FINISH:	MATERIAL	
FSCM 83330	1501 ROUTE 34 SOUTH FARMINGDALE, NJ 07727	
SHEET 1 OF 1 FAMILY TABLE:		

Looking for pricing, stock, or lifecycle information?

Click below to explore more details on WIN SOURCE:

 [View 5988810307F on WIN SOURCE](#)

 [Dialight Information](#)

Optimize Your Supply Chain with WIN SOURCE Solutions

-  Global Sourcing Solution
-  Obsolete Management
-  Cost Control Management
-  Shortage Management
-  Alternative Solution
-  Excess Inventory Management