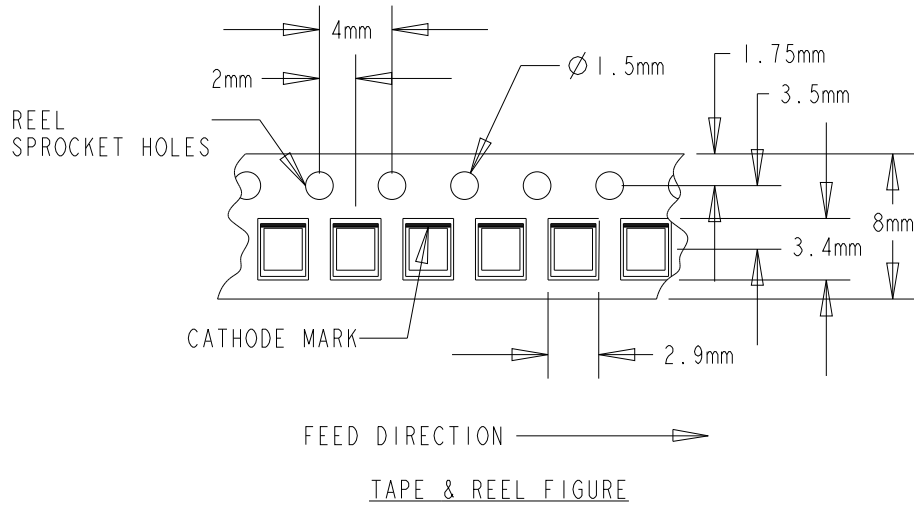
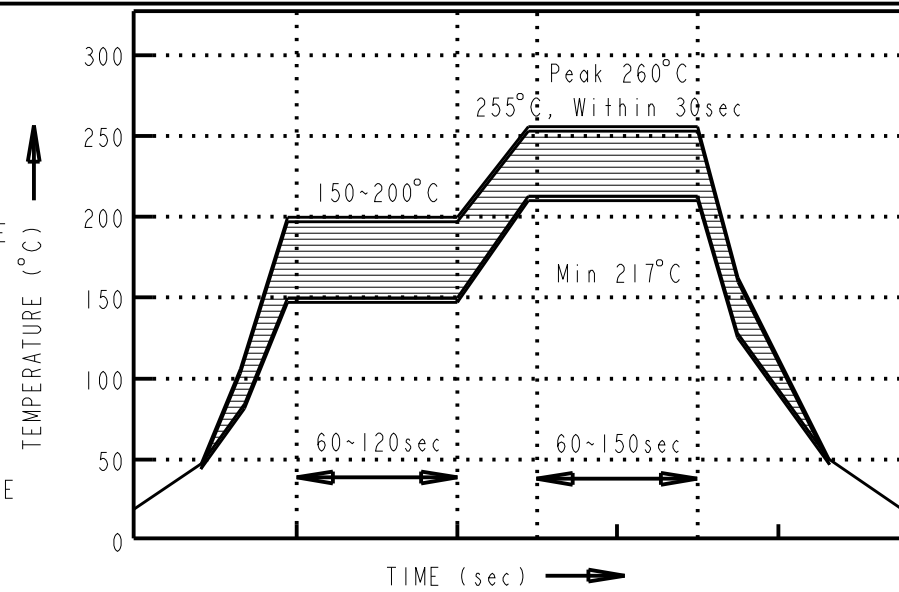
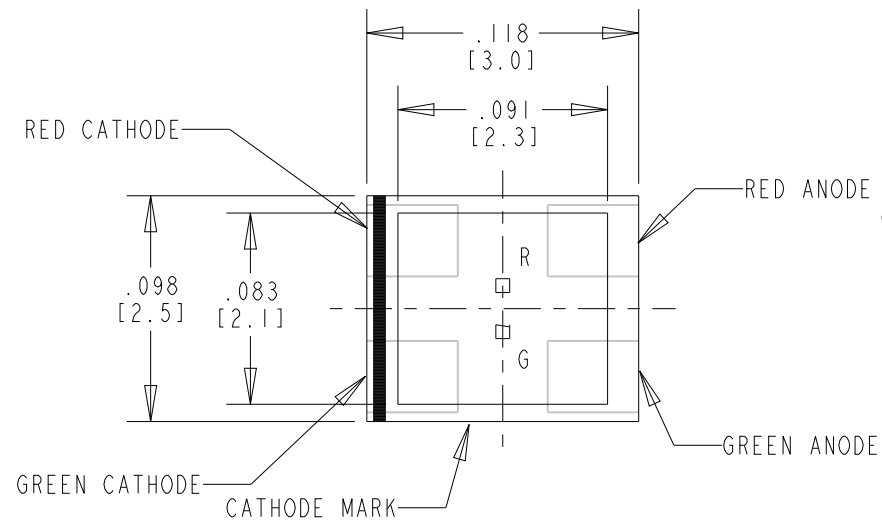


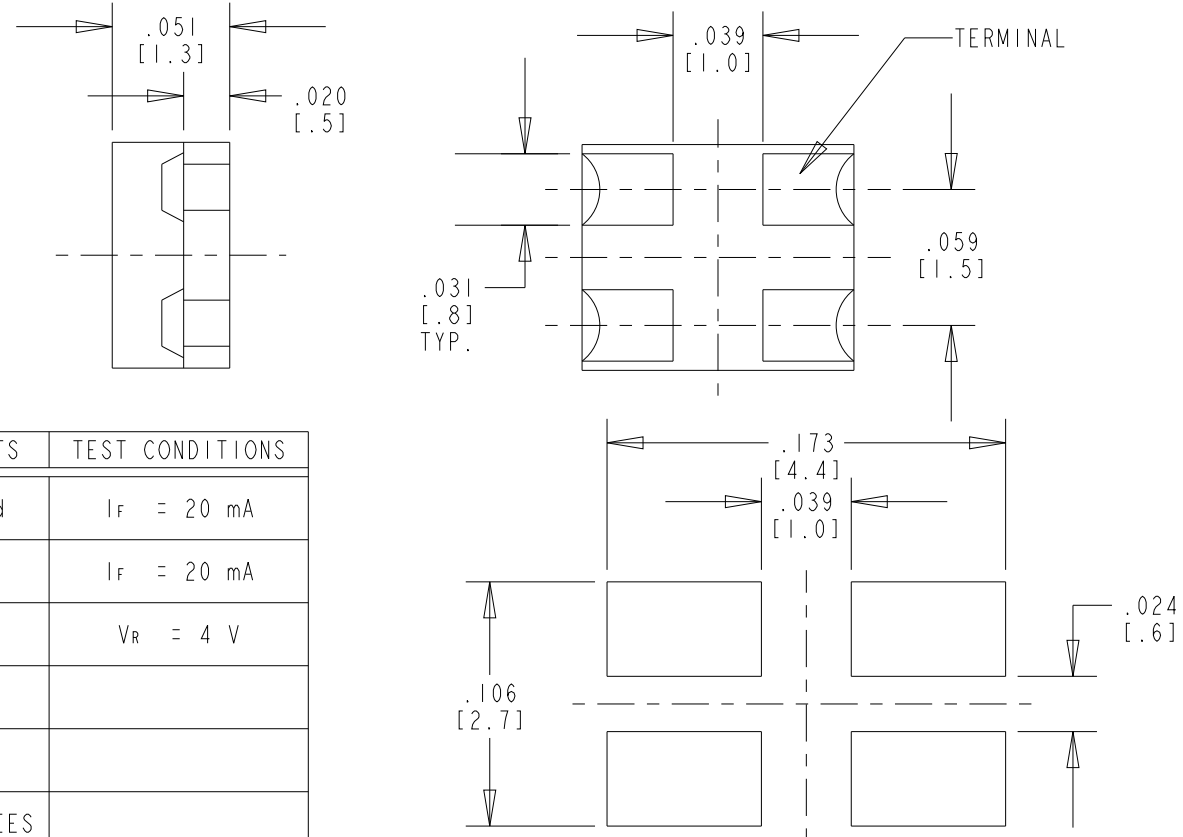


THE DATASHEET OF
5977701507F

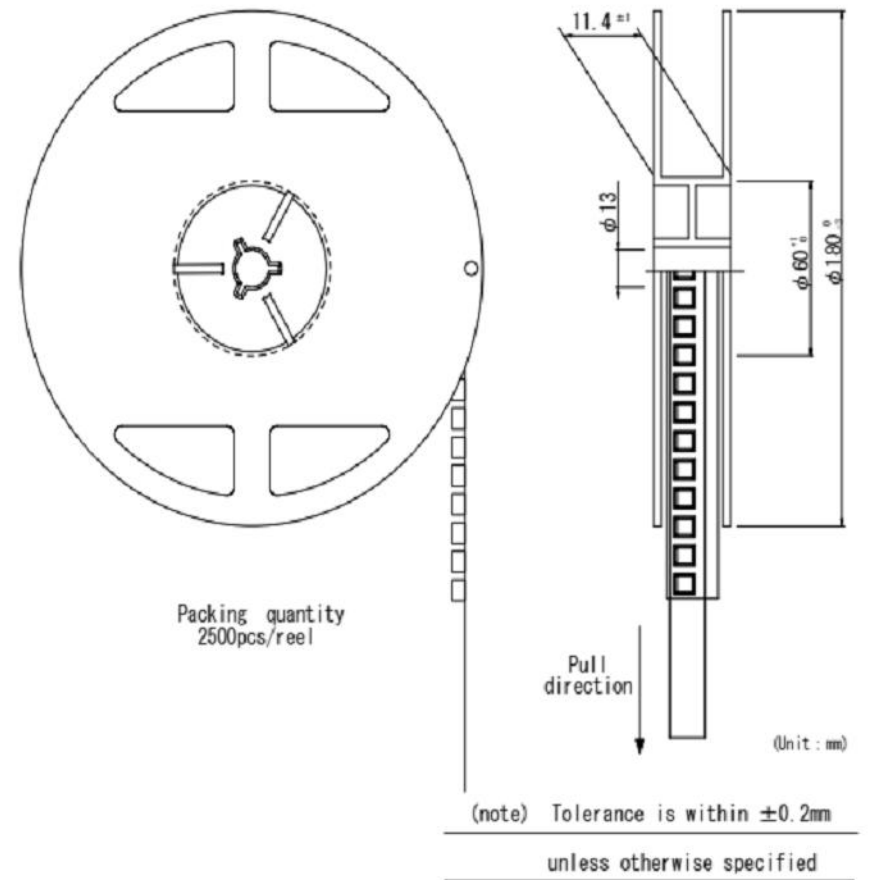




RECOMMENDED RoHS SOLDER PROFILE



REV	ECN NO	REVISIONS	DRN	CKD	APP	DATE
A		NEW RELEASE	DC	---	N.O.	3-25-97
B		ADDED NOTES 7 AND 8.	TC	DC	N.O.	6-9-99
C		CHANGED RED CATHODE TO RED ANODE, GREEN CATHODE TO GREEN ANODE ON RIGHT SIDE OF THE CATHODE MARK.	DC	JMC	N.O.	9-13-02
D		UPDATED LED SPECS.	YIS	JMC	Y.C.	2-21-03
E		ADDED RoHS COMPLIANT "F" SUFFIX P/N'S; RoHS REFLOW PROFILE AND RoHS NOTE; ADDED -502 SAMPLE STRIP; UPDATED FORMAT AND PLATING NOTE	TWC			
F		ADDED REEL DRAWING, SOLDER PROFILE & NOTE 10. ALSO UPDATED LED SPECS	BP	VB	NO	6-6-16
G		REMOVED NON F SUFFIX AND REPEATING P/N'S FROM NOTE 8	BP		NO	10-10-17



LED CHARACTERISTICS	COLOR	MIN.	TYP.	MAX.	UNITS	TEST CONDITIONS
LUMINOUS INTENSITY	RED GREEN	3.6 9.0	6.3 20	11 45	mc d	$I_F = 20 \text{ mA}$
FORWARD VOLTAGE	RED GREEN		2.0 2.2	2.8 2.8	V	$I_F = 20 \text{ mA}$
REVERSE CURRENT	RED GREEN			100	μA	$V_R = 4 \text{ V}$
PEAK WAVELENGTH	RED GREEN		650 570		nm	
DOMINANT WAVELENGTH	RED GREEN	620 560	630 570	640 580	nm	
VIEWING ANGLE (2 θ 1/2)	RED GREEN		100		DEGREES	

ABSOLUTE MAXIMUM RATINGS AT 25 °C AMBIENT	RED	GREEN	UNITS
POWER DISSIPATION	60		mW
CONTINUOUS FORWARD CURRENT	25		mA
DERATE LINEARLY FROM 25 °C	.4	.3	mA/°C
PEAK FORWARD CURRENT (PULSE WIDTH 1 ms, DUTY 20%)	60		mA
REVERSE VOLTAGE	4		V
OPERATING TEMPERATURE	-30 TO +85		°C
STORAGE TEMPERATURE	-40 TO +85		°C

NOTES: RECOMMENDED SOLDER LAND PATTERN

- EPOXY COLOR: WATER CLEAR.
- DIE: GaAsP RED/GaP GREEN.
- LEADS: GOLD (Au), COPPER (Cu), NICKEL (Ni)
- SOLDER ADHERANCE: BOTH LEADS PER MIL. STD. 202E, METHOD 208C.
- PARTS TO BE TAPED AND REELED PER EIA-481-1 SPEC.
- SUFFIX -507 FOR 180 mm DIA. REEL, 8 mm WIDE TAPE, PACKAGED 2500-PCS PER REEL.
- TAPE AND REEL LEDS MAY REQUIRE RE-TAPING AFTER TWELVE MONTHS.
- DIALIGHT PART NUMBER: 597-7701-507F, -502F.
- PART NUMBER WITH "F" SUFFIX ENDING IS RoHS COMPLIANT. EXAMPLE: 597-7701-507F. THE BAG PACKAGING IS MARKED WITH "RoHS COMPLIANT" LABEL OR EQUIVALENT MARKINGS. PART CAN BE WAVE SOLDERED, DIP SOLDERED OR HAND SOLDERED USING TYPICAL LEAD-FREE SOLDERING PROCESS WITH MAX. 260°C TEMPERATURE FOR 5 SEC.
- MSL 3

THIS DRAWING AND THE CONTENTS HEREIN ARE CONFIDENTIAL AND THE SOLE PROPERTY OF DIALIGHT CORP. REPRODUCTION OF THIS DRAWING OR CONSTRUCTION OF ANY PARTS WITHIN THIS DRAWING ARE FORBIDDEN WITHOUT THE WRITTEN CONSENT OF DIALIGHT CORP.

SCALE: DRAWING SCALE	DRAWING NUMBER	REV
ALL DIM'S: INCH (mm)	C-16196	G
TOLERANCES: UNLESS OTHERWISE SPECIFIED	TITLE RED/GREEN BICOLOR SMT LED	
FRACTIONS: ±1/64	MATERIAL	
DECIMALS (.XX): ±.01	FINISH	
DECIMALS (.XXX): ±.005	Dialight	
DECIMALS (.XXXX): ±.0005	1501 ROUTE 34 SOUTH	
ANGLES: ±1°	FARMINGDALE, NJ 07727	
	(732) 919-3119	
	www.dialight.com	
FSCM 83330	SHEET 1 OF 1	FAMILY TABLE:

Looking for pricing, stock, or lifecycle information?

Click below to explore more details on WIN SOURCE:

 [View 5977701507F on WIN SOURCE](#)

 [Dialight Information](#)

Optimize Your Supply Chain with WIN SOURCE Solutions

-  Global Sourcing Solution
-  Obsolete Management
-  Cost Control Management
-  Shortage Management
-  Alternative Solution
-  Excess Inventory Management