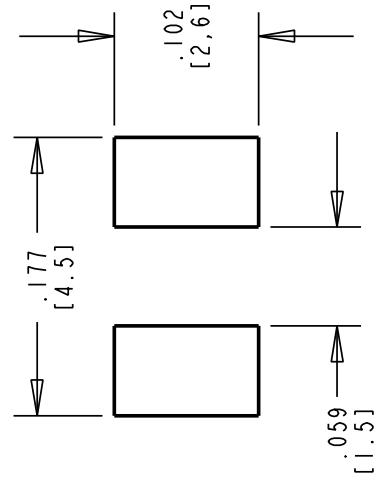
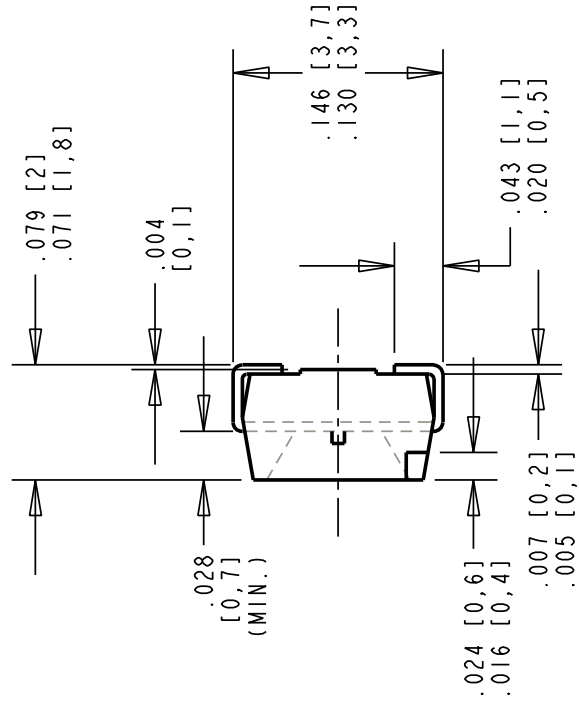
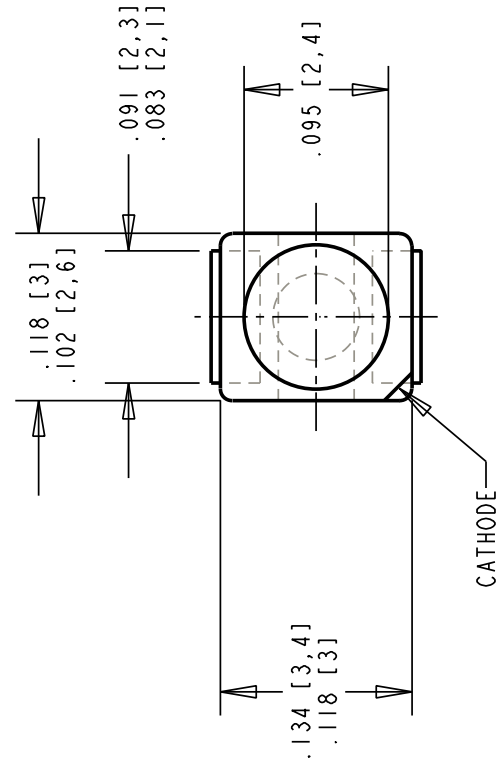


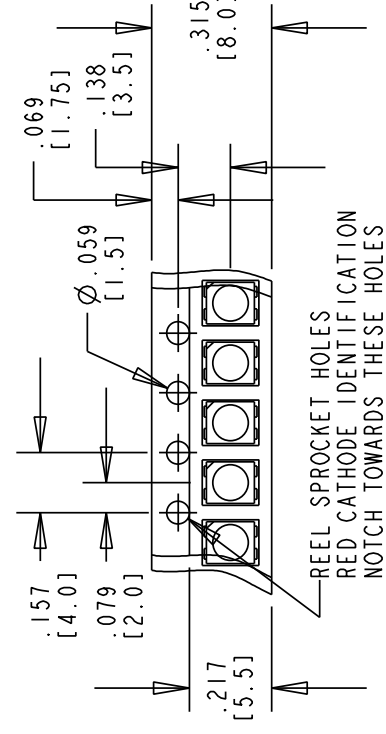


**THE DATASHEET OF
5973401207F**





RECOMMENDED SOLDER PAD LAYOUT



TAPE & REEL CONFIGURATION

LED CHARACTERISTICS	MIN.	TYP.	MAX.	UNITS	TEST CONDITIONS
LUMINOUS INTENSITY	7.1	12.6	18.0	mcd	$I_F = 10$ mA
FORWARD VOLTAGE		2.0	2.5	V	$I_F = 10$ mA
REVERSE CURRENT		.01	10.0	mA	$V_R = 5$ V
PEAK WAVELENGTH		586		nm	
DOMINANT WAVELENGTH		587	595	nm	
VIEWING ANGLE (2 θ 1/2)		120		DEG.	$I_F = 10$ mA

ABSOLUTE MAXIMUM RATING AT 25°C AMBIENT	YELLOW	UNITS
POWER CONSUMPTION	95	mW
CONTINUOUS FORWARD CURRENT	30	mA
REVERSE VOLTAGE	5	V
OPERATING TEMPERATURE	-40 TO +100	°C
STORAGE TEMPERATURE	-40 TO +100	°C
SOLDERING TEMPERATURE @ 15 SEC	245	°C



ATTENTION
OBSERVE PRECAUTIONS
HANDLING ELECTRICAL COMPONENTS
SENSITIVE TO STATIC DISCHARGE

Looking for pricing, stock, or lifecycle information?

Click below to explore more details on WIN SOURCE:

[View 5973401207F on WIN SOURCE](#)

[Dialight Information](#)

Optimize Your Supply Chain with WIN SOURCE Solutions

- ✓ Global Sourcing Solution
- ✓ Obsolete Management
- ✓ Cost Control Management
- ✓ Shortage Management
- ✓ Alternative Solution
- ✓ Excess Inventory Management