



THE DATASHEET OF
5962-9065901HXA



Table 4 Group Inspection

SG	Parameter	Symbol	Temp.	Power	Test Conditions	Min	Max	Units
1	Quiescent Current	I_Q	25°C	±40V	$V_{IN}=0, A_V=100, R_{CL}=0.1 \Omega$		50	mA
1	Input Offset Voltage	V_{OS}	25°C	±40V	$V_{IN} = 0, A_V = 100$		±6	mV
1	Input Offset Voltage	V_{OS}	25°C	±10V	$V_{IN} = 0, A_V = 100$		±12	mV
1	Input Offset Voltage	V_{OS}	25°C	±45V	$V_{IN} = 0, A_V = 100$		±7	mV
1	Input Bias Current, +IN	$+I_B$	25°C	±40V	$V_{IN} = 0$		±30	nA
1	Input Bias Current,-IN	$-I_B$	25°C	±40V	$V_{IN} = 0$		±30	nA
1	Input Offset Current	I_{OS}	25°C	±40V	$V_{IN} = 0$		±30	nA
3	Quiescent Current	I_Q	-55°C	±40V	$V_{IN}=0, A_V=100, R_{CL}=0.1 \Omega$		100	mA
3	Input Offset Voltage	V_{OS}	-55°C	±40V	$V_{IN} = 0, A_V = 100$		±11.2	mV
3	Input Offset Voltage	V_{OS}	-55°C	±10V	$V_{IN} = 0, A_V = 100$		±17.2	mV
3	Input Offset Voltage	V_{OS}	-55°C	±45V	$V_{IN} = 0, A_V = 100$		±12.2	mV
3	Input Bias Current, +IN	$+I_B$	-55°C	±40V	$V_{IN} = 0$		±115	nA
3	Input Bias Current,-IN	$-I_B$	-55°C	±40V	$V_{IN} = 0$		±115	nA
3	Input Offset Current	I_{OS}	-55°C	±40V	$V_{IN} = 0$		±115	nA
2	Quiescent Current	I_Q	125°C	±40V	$V_{IN}=0, A_V=100, R_{CL}=0.1 \Omega$		50	mA
2	Input Offset Voltage	V_{OS}	125°C	±40V	$V_{IN} = 0, A_V = 100$		±12.5	mV
2	Input Offset Voltage	V_{OS}	125°C	±10V	$V_{IN} = 0, A_V = 100$		±18.5	mV
2	Input Offset Voltage	V_{OS}	125°C	±45V	$V_{IN} = 0, A_V = 100$		±13.5	mV
2	Input Bias Current, +IN	$+I_B$	125°C	±40V	$V_{IN} = 0$		±70	nA
2	Input Bias Current,-IN	$-I_B$	125°C	±40V	$V_{IN} = 0$		±70	nA
2	Input Offset Current	I_{OS}	125°C	±40V	$V_{IN} = 0$		±70	nA
4	Output Voltage, $I_O = 10A$	V_O	25°C	±16V	$R_L = 1 \Omega$	10		V
4	Output Voltage, $I_O = 80mA$	V_O	25°C	±45V	$R_L = 500 \Omega$	40		V
4	Output Voltage, $I_O = 5A$	V_O	25°C	±35V	$R_L = 6 \Omega$	30		V
4	Current Limits	I_{CL}	25°C	±14V	$R_L = 6 \Omega, R_{CL} = 1 \Omega$	0.6	0.89	A
4	Stability/Noise	E_N	25°C	±40V	$R_L = 500 \Omega, C_L = 1.5nF^1$		1	mV
4	Slew Rate	SR	25°C	±40V	$R_L = 500 \Omega$	2.5	10	V/ μs
4	Open Loop Gain	A_{OL}	25°C	±40V	$R_L = 500 \Omega, F = 10Hz$	96		dB
4	Common Mode Rejection	CMR	25°C	±15V	$R_L = 500 \Omega, F = DC, V_{CM} = \pm 9V$	74		dB

PA12M/883

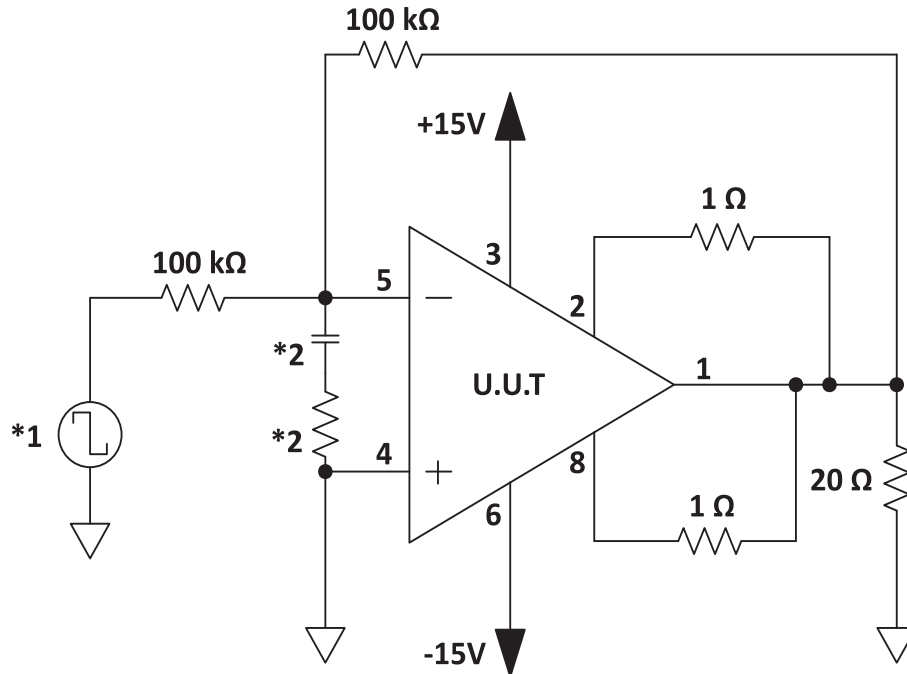


SG	Parameter	Symbol	Temp.	Power	Test Conditions	Min	Max	Units
6	Output Voltage, $I_O = 8A$	V_O	$-55^{\circ}C$	$\pm 14V$	$R_L = 1 \Omega$	8		V
6	Output Voltage, $I_O = 80mA$	V_O	$-55^{\circ}C$	$\pm 45V$	$R_L = 500 \Omega$	40		V
6	Stability/Noise	E_N	$-55^{\circ}C$	$\pm 40V$	$R_L = 500 \Omega, C_L = 1.5nF, ^1$		1	mV
6	Slew Rate	SR	$-55^{\circ}C$	$\pm 40V$	$R_L = 500 \Omega$	2.5	10	V/ μs
6	Open Loop Gain	A_{OL}	$-55^{\circ}C$	$\pm 40V$	$R_L = 500 \Omega, F = 10Hz$	96		dB
6	Common Mode Rejection	CMR	$-55^{\circ}C$	$\pm 15V$	$R_L = 500 \Omega, F = DC,$ $V_{CM} = \pm 9V$	74		dB
5	Output Voltage, $I_O = 8A$	V_O	$125^{\circ}C$	$\pm 14V$	$R_L = 1 \Omega$	8		V
5	Output Voltage, $I_O = 80mA$	V_O	$125^{\circ}C$	$\pm 45V$	$R_L = 500 \Omega$	40		V
5	Stability/Noise	E_N	$125^{\circ}C$	$\pm 40V$	$R_L = 500 \Omega, C_L = 1.5nF, ^1$		1	mV
5	Slew Rate	SR	$125^{\circ}C$	$\pm 40V$	$R_L = 500 \Omega$	2.5	10	V/ μs
5	Open Loop Gain	A_{OL}	$125^{\circ}C$	$\pm 40V$	$R_L = 500 \Omega, F = 10Hz$	96		dB
5	Common Mode Rejection	CMR	$125^{\circ}C$	$\pm 15V$	$R_L = 500 \Omega, F = DC,$ $V_{CM} = \pm 9V$	74		dB

1. Minimum gain recommendation is either $G = +4$ (non-inverting) or $G = -3$ (inverting).

BURN IN CIRCUIT

Figure 1: Burn In Circuit



1. Input signals are calculated to result in internal power dissipation of approximately 2.1W at case temperature = 125°C.
2. These components are used to stabilize device due to poor high frequency characteristics of burn in board.

NEED TECHNICAL HELP? CONTACT APEX SUPPORT!

For all Apex Microtechnology product questions and inquiries, call toll free 800-546-2739 in North America. For inquiries via email, please contact apex.support@apexanalog.com. International customers can also request support by contacting their local Apex Microtechnology Sales Representative. To find the one nearest to you, go to www.apexanalog.com

IMPORTANT NOTICE

Apex Microtechnology, Inc. has made every effort to insure the accuracy of the content contained in this document. However, the information is subject to change without notice and is provided "AS IS" without warranty of any kind (expressed or implied). Apex Microtechnology reserves the right to make changes without further notice to any specifications or products mentioned herein to improve reliability. This document is the property of Apex Microtechnology and by furnishing this information, Apex Microtechnology grants no license, expressed or implied under any patents, mask work rights, copyrights, trademarks, trade secrets or other intellectual property rights. Apex Microtechnology owns the copyrights associated with the information contained herein and gives consent for copies to be made of the information only for use within your organization with respect to Apex Microtechnology integrated circuits or other products of Apex Microtechnology. This consent does not extend to other copying such as copying for general distribution, advertising or promotional purposes, or for creating any work for resale.

APEX MICROTECHNOLOGY PRODUCTS ARE NOT DESIGNED, AUTHORIZED OR WARRANTED TO BE SUITABLE FOR USE IN PRODUCTS USED FOR LIFE SUPPORT, AUTOMOTIVE SAFETY, SECURITY DEVICES, OR OTHER CRITICAL APPLICATIONS. PRODUCTS IN SUCH APPLICATIONS ARE UNDERSTOOD TO BE FULLY AT THE CUSTOMER OR THE CUSTOMER'S RISK.

Apex Microtechnology, Apex and Apex Precision Power are trademarks of Apex Microtechnology, Inc. All other corporate names noted herein may be trademarks of their respective holders.

Looking for pricing, stock, or lifecycle information?

Click below to explore more details on WIN SOURCE:

 [View 5962-9065901HXA on WIN SOURCE](#)

 [Apex Microtechnology Information](#)

Optimize Your Supply Chain with WIN SOURCE Solutions

-  Global Sourcing Solution
-  Obsolete Management
-  Cost Control Management
-  Shortage Management
-  Alternative Solution
-  Excess Inventory Management