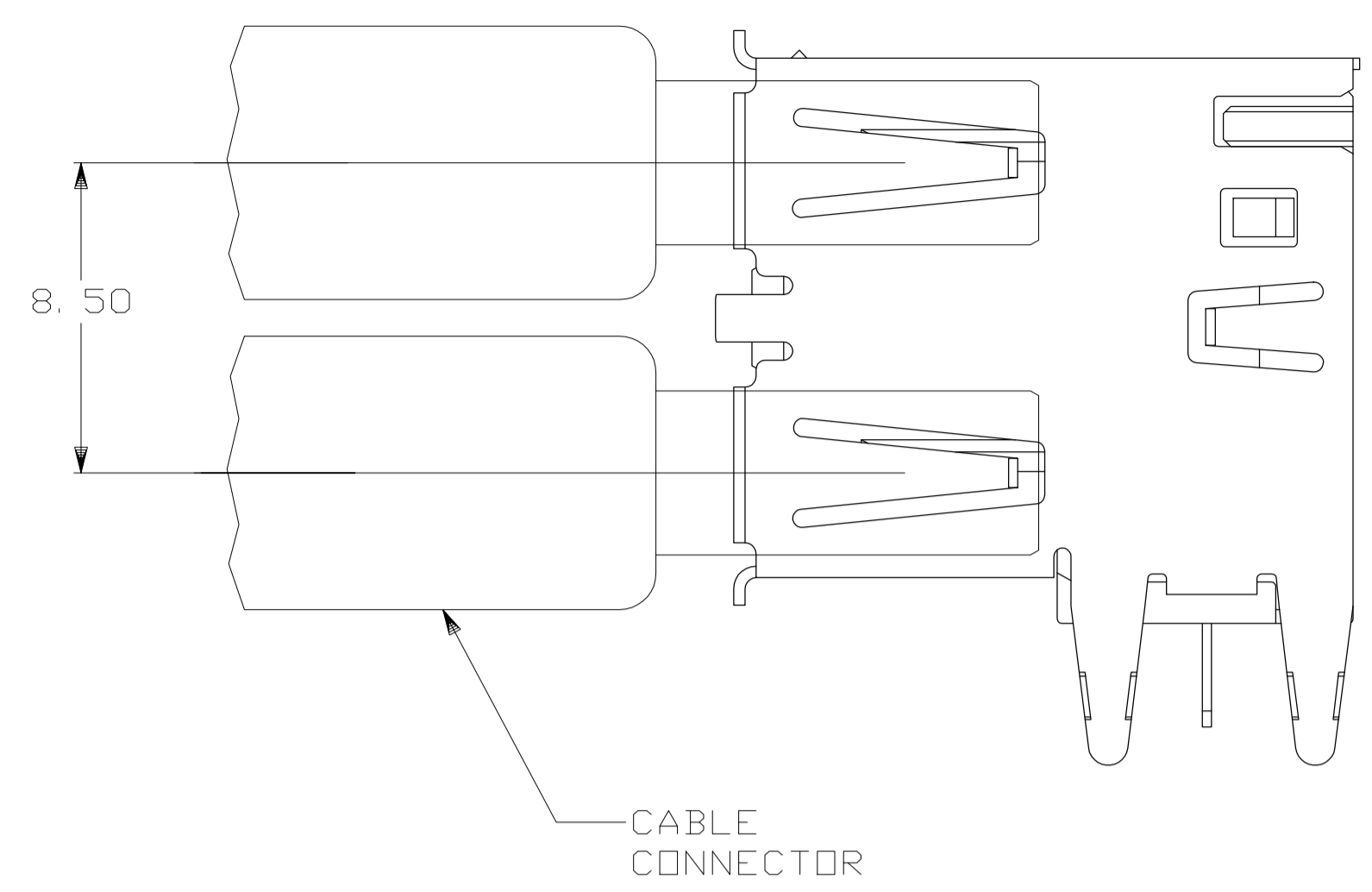
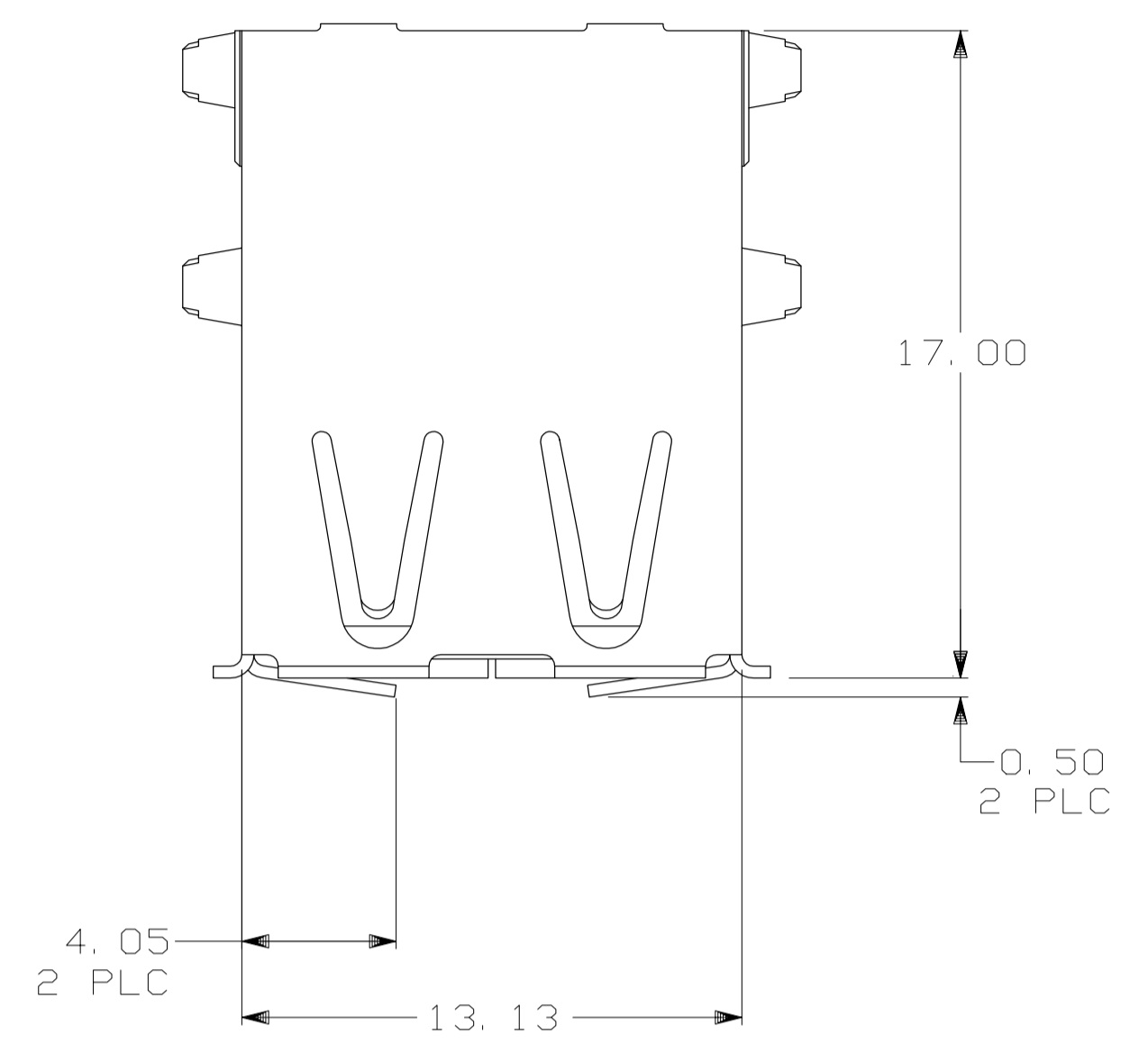




THE DATASHEET OF
5787745-5





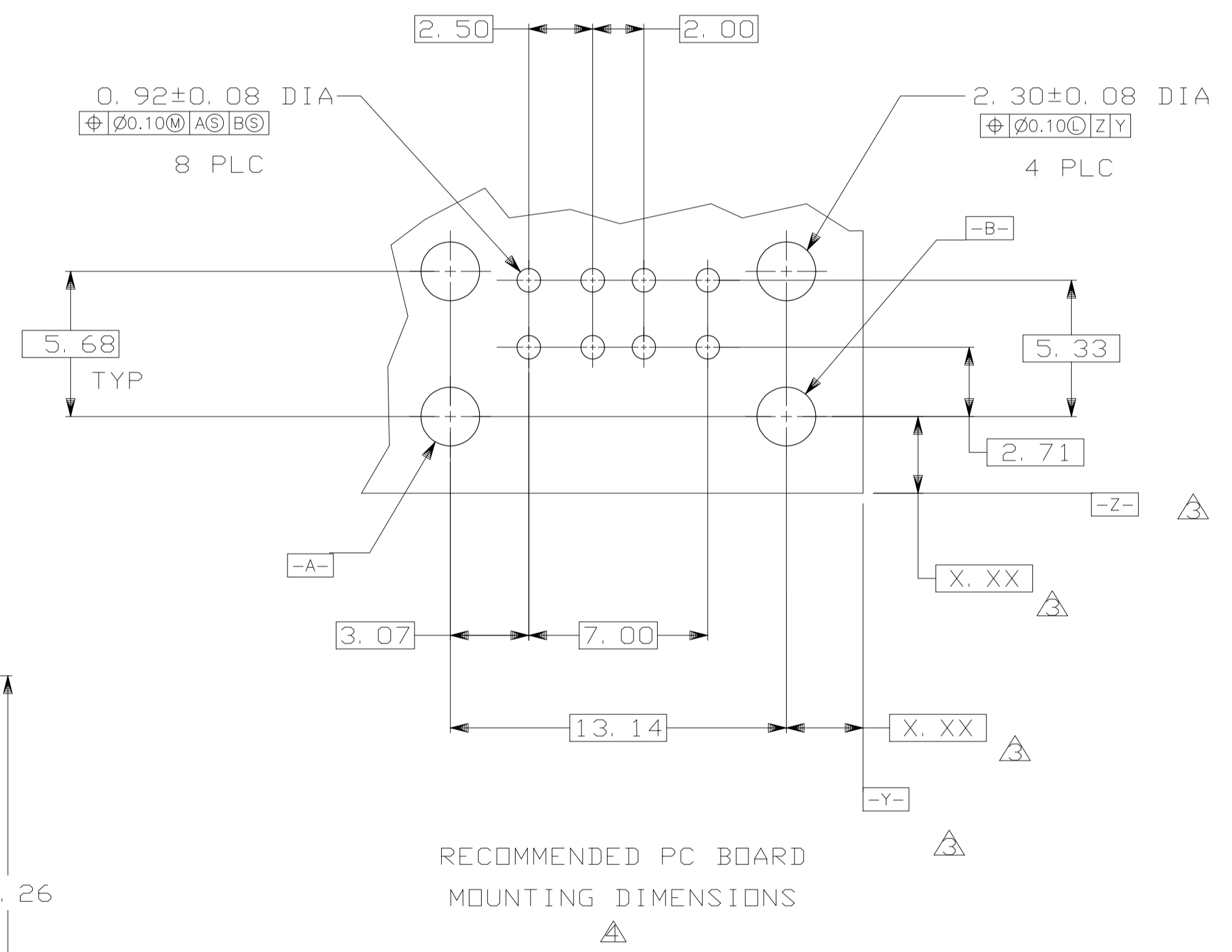
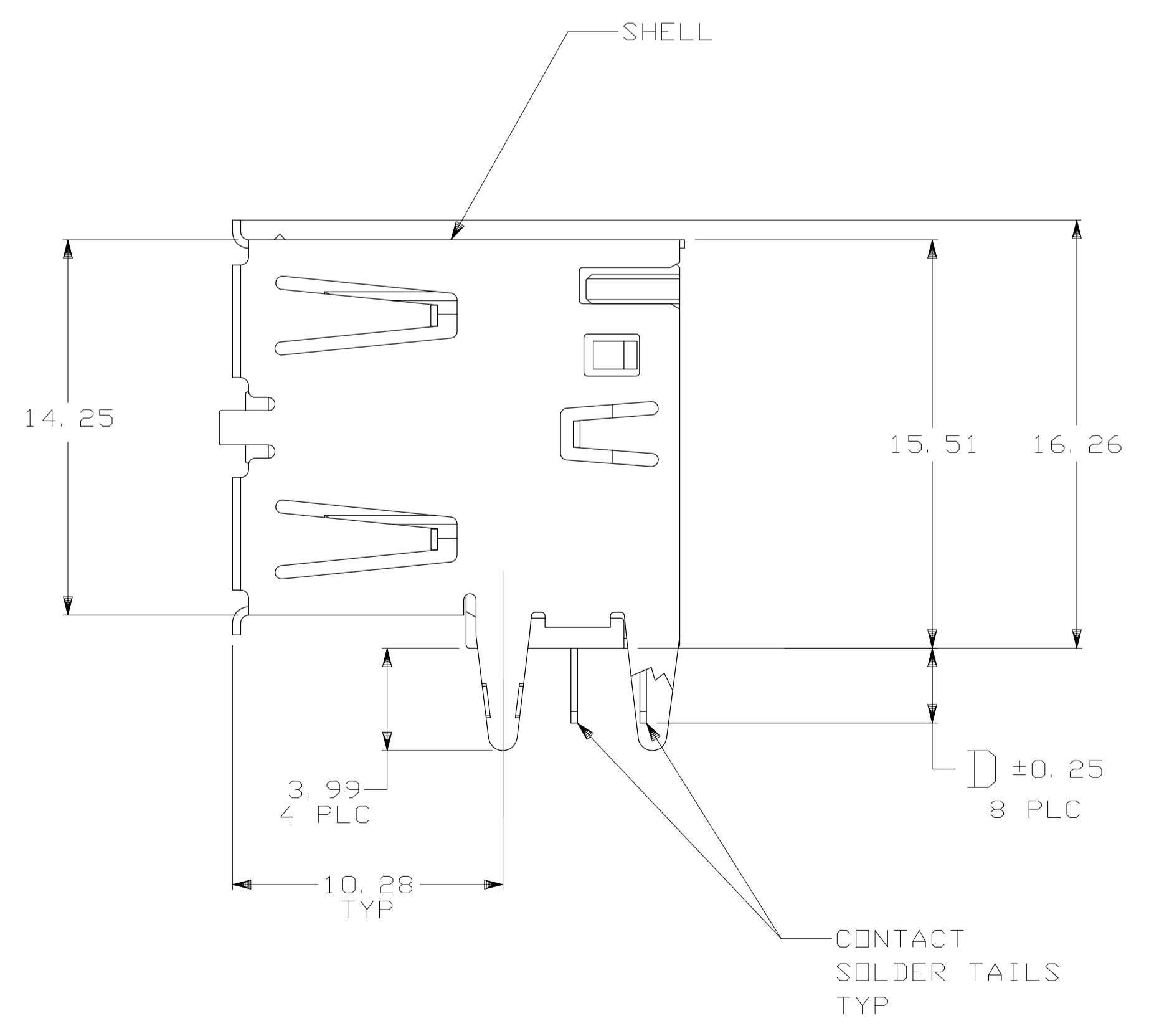
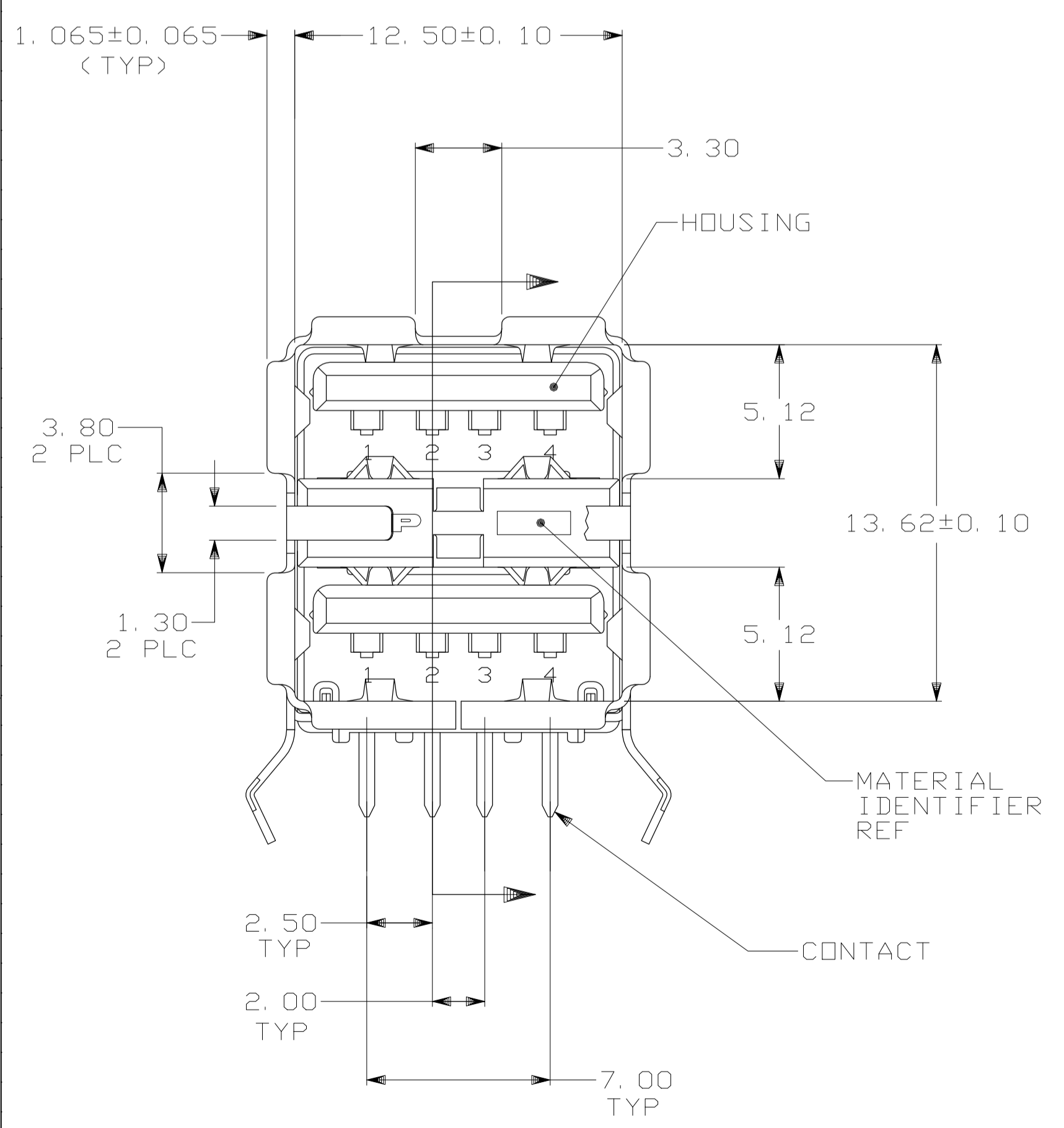
⚠ MATERIAL:
SHELL & CONTACTS- COPPER ALLOY.
HOUSING- UL 94V-0 RATED, THERMOPLASTIC, SEE TABLE.

⚠ PLATING:
CONTACTS- 0.076 MICROMETERS MINIMUM GOLD OVER 0.76 MICROMETERS MINIMUM PALLADIUM-NICKEL ON MATING AREA. OR CONTACT ALTRENATE PLATING 0.76 MICROMETERS MINIMUM GOLD ON MATING AREA.
3.80 MICROMETERS MINIMUM TIN ON SOLDER TAILS.
BOTH OVER 1.27 MICROMETERS MINIMUM NICKEL.
SHELL: 2~5μm THICK TIN

⚠ DATUM AND BASIC DIMENSIONS ESTABLISHED BY CUSTOMER.

⚠ RECOMMENDED PC BOARD THICKNESS OF 1.57.

LEAD FREE



YES	2.29±0.25	BLACK	5787745-5
YES	2.84±0.25	BLACK	5787745-4
NO	2.84±0.25	NATURAL	5787745-3
NO	2.29±0.25	BLACK	5787745-2
NO	2.84±0.25	BLACK	5787745-1
HIGH TEMPERATURE COMPATIBLE	D	HOUSING COLOR	PART NUMBER

THIS DRAWING IS A CONTROLLED DOCUMENT.		DIN	LEO ZHOU	26OCT2004	TE Connectivity
DIMENSIONS: mm		CHK	STEVEN YAO	26OCT2004	
TOLERANCES UNLESS OTHERWISE SPECIFIED:		APVD	LENOMOTO	26OCT2004	NAME
0 PLC ± -	1 PLC ± 0.35	PRODUCT SPEC		RECEPTACLE ASSEMBLY, RIGHT ANGLE, STACKED, THRU-HOLE, USB	
2 PLC ± 0.25	3 PLC ± 0.15	APPLICATION SPEC		SIZE	CAGE CODE
4 PLC ± - 3°	ANGLES ± - 3°	WEIGHT		A1	00779
MATERIAL	FINISH	CUSTOMER DRAWING		SCALE	1:1
				SHEET	1 OF 1
				REV	A2

Looking for pricing, stock, or lifecycle information?

Click below to explore more details on WIN SOURCE:

 [View 5787745-5 on WIN SOURCE](#)

 [TE Connectivity](#) Information

Optimize Your Supply Chain with WIN SOURCE Solutions

-  Global Sourcing Solution
-  Obsolete Management
-  Cost Control Management
-  Shortage Management
-  Alternative Solution
-  Excess Inventory Management