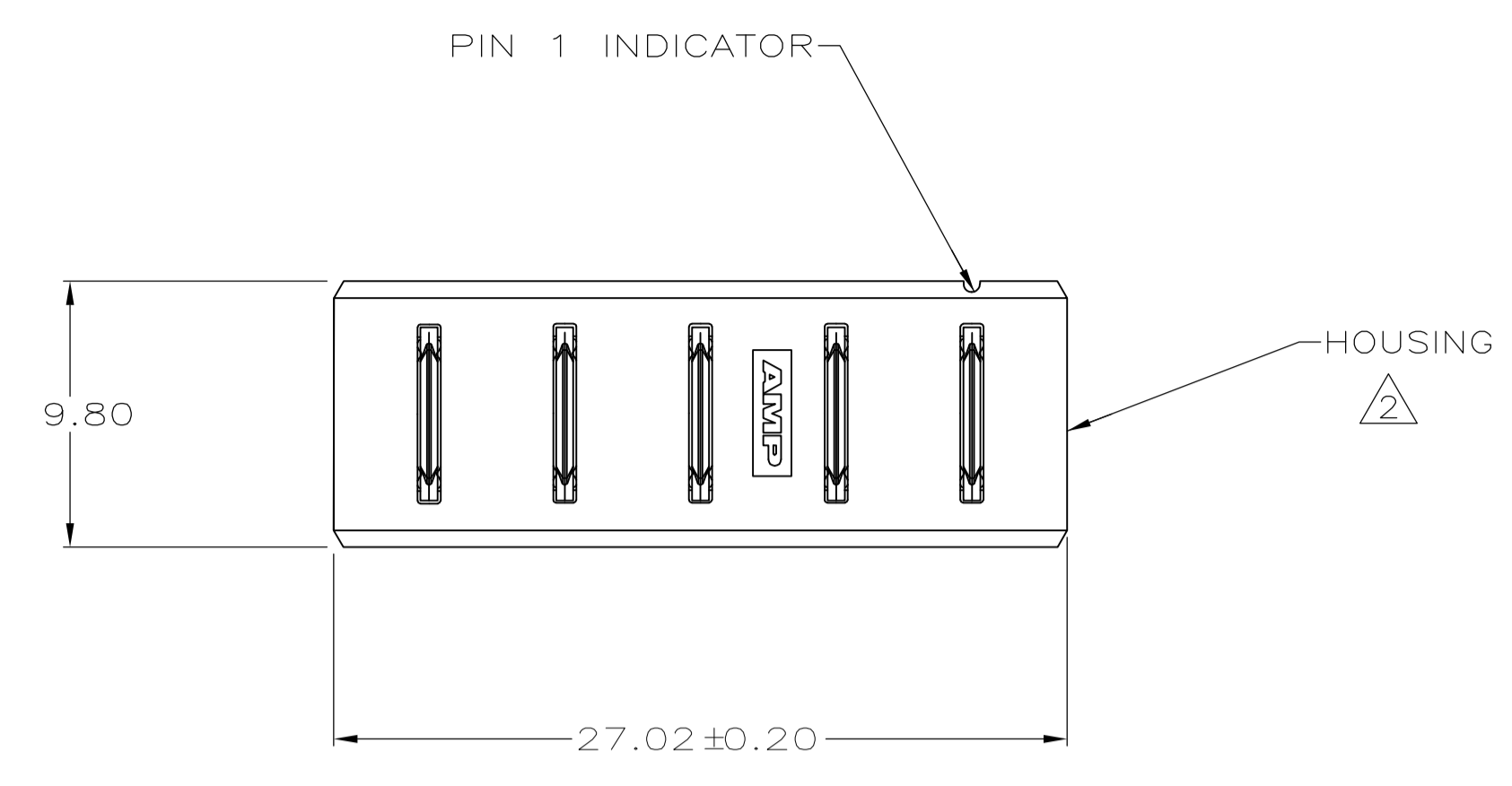


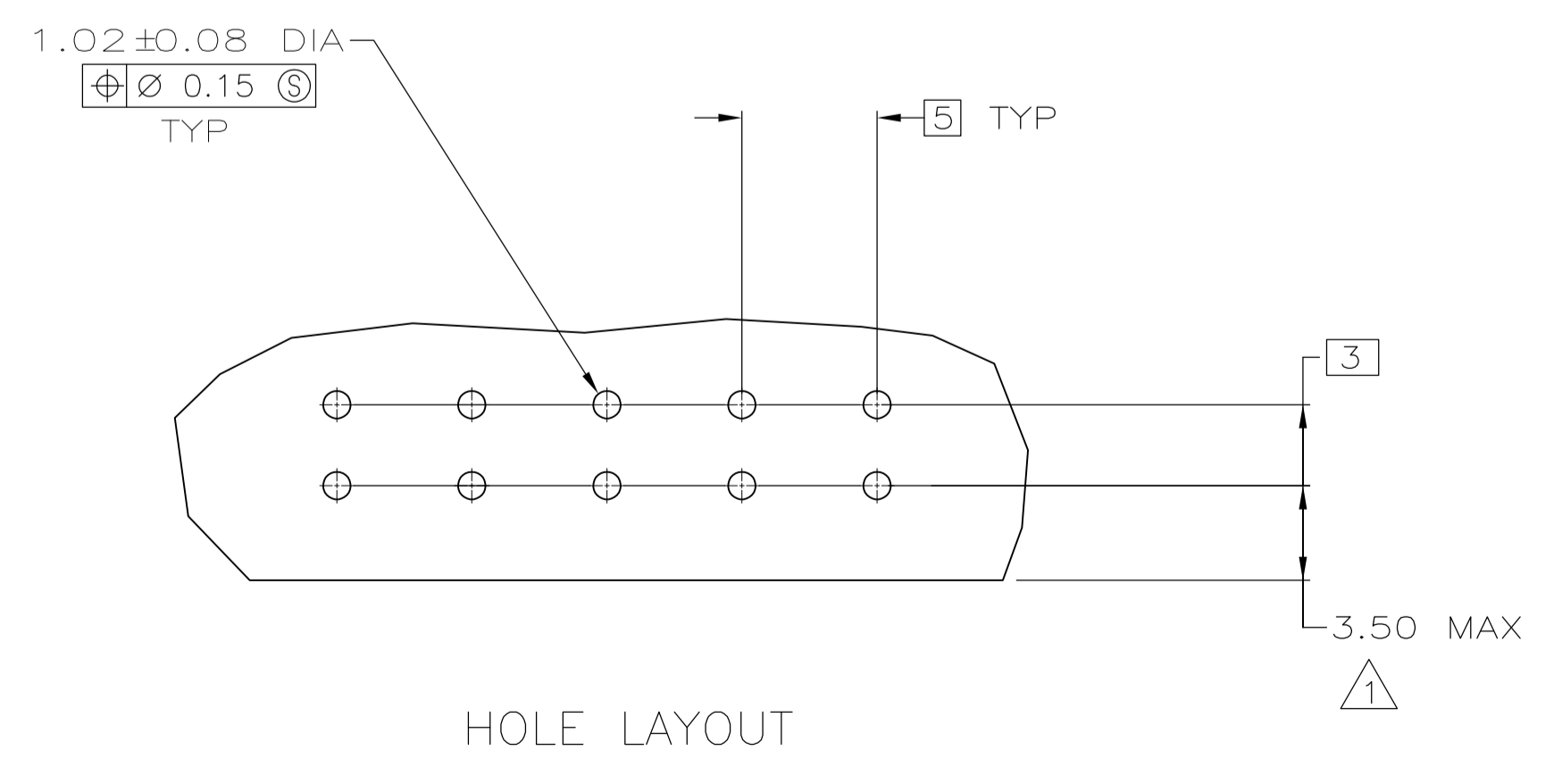
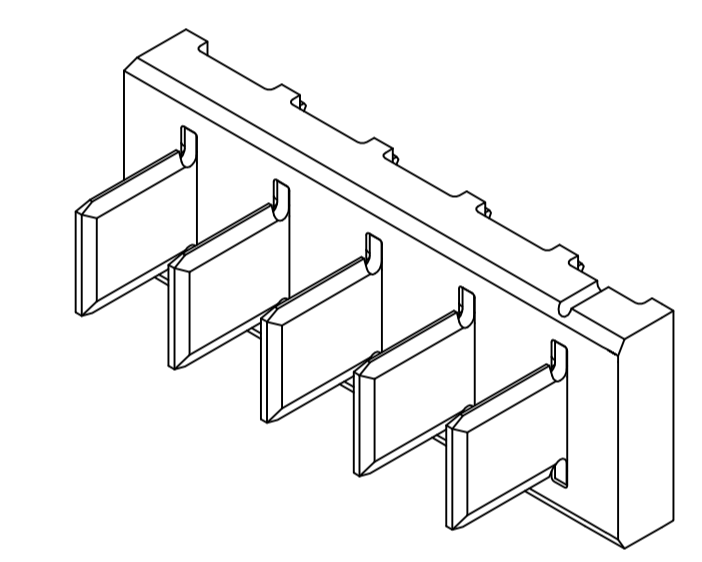
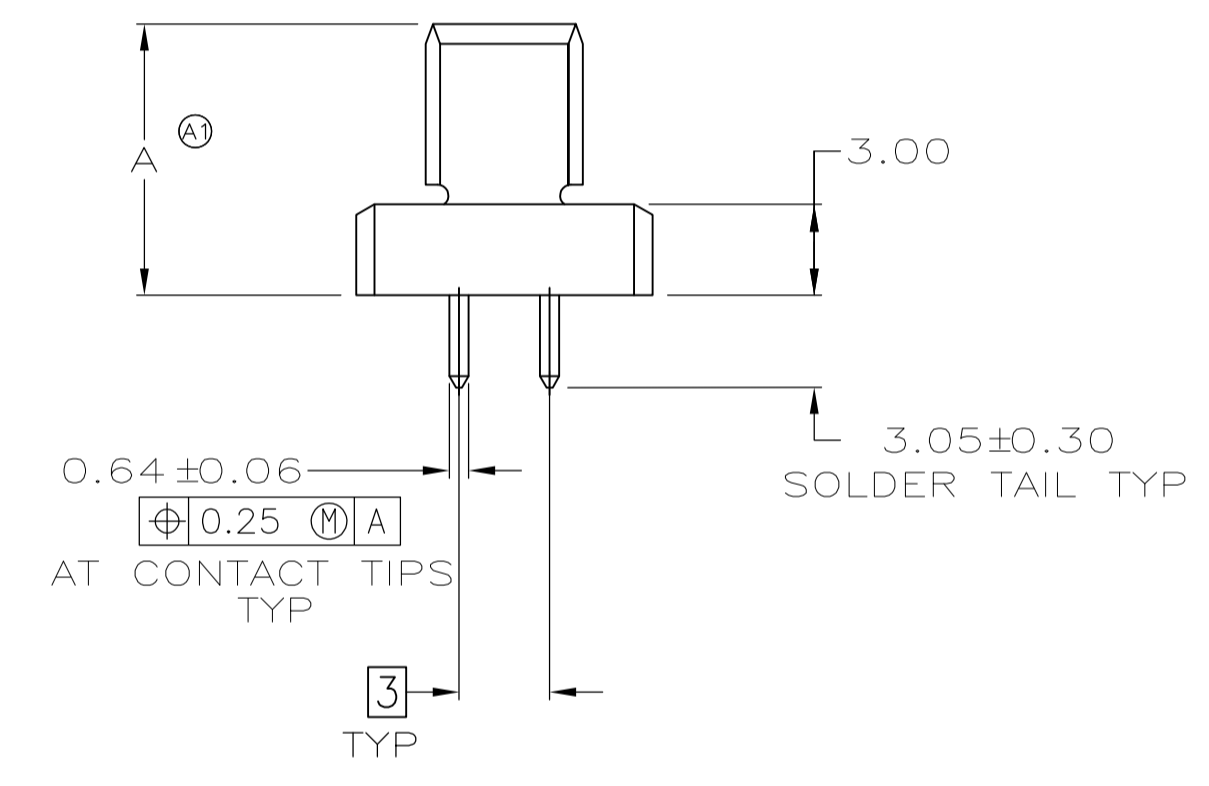
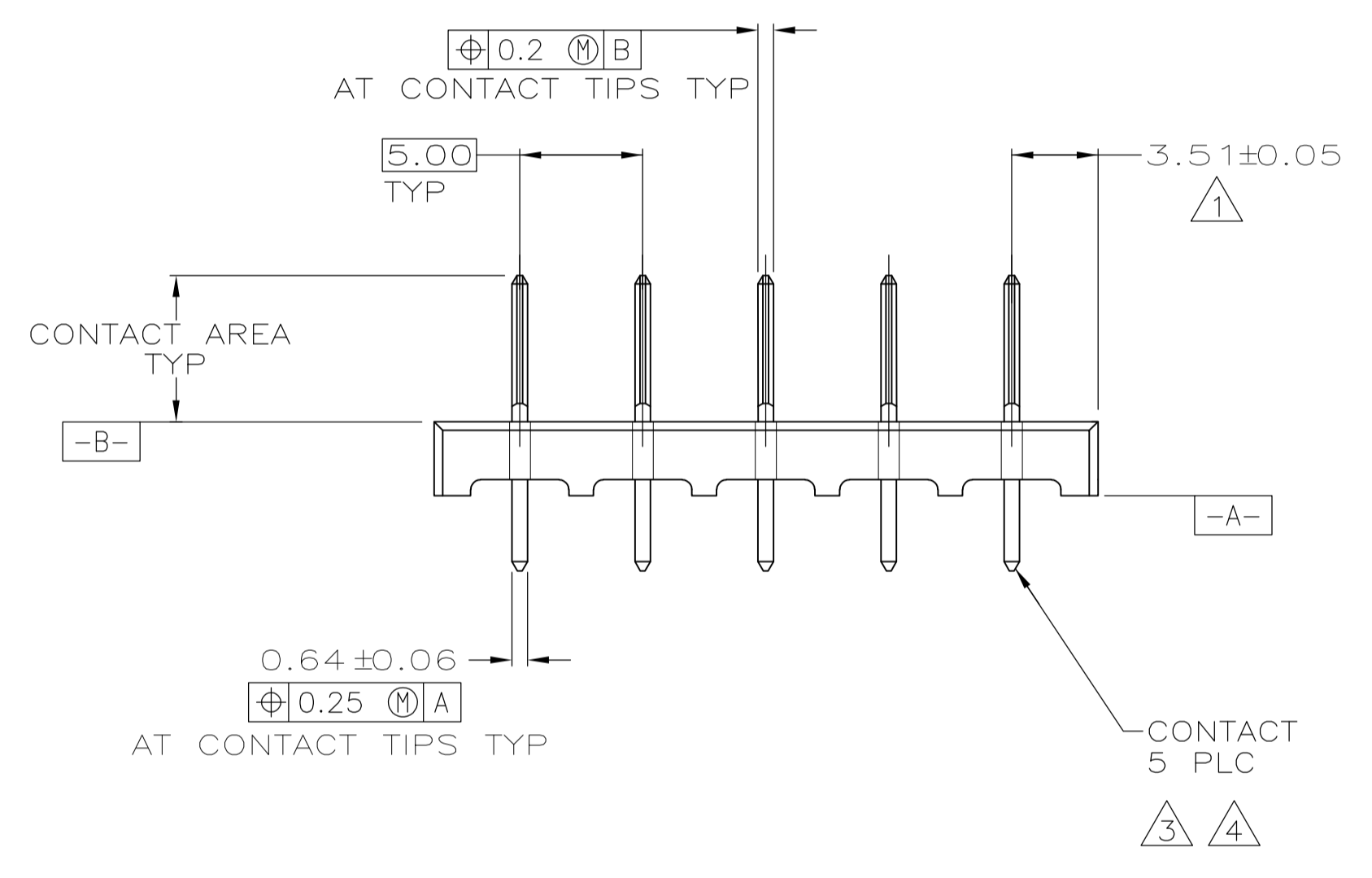


THE DATASHEET OF
5787444-1





- △ COORDINATE DIMENSION APPLIES FROM CENTER OF ACTUAL FEATURE.
- △ HOUSING: POLYPHTHALAMIDE, COLOR BLACK.
- △ 2.54 μm MIN TIN ON SOLDER TAIL OVER 1.90 μm MIN NICKEL ALL OVER.
- △ CONTACTS: BRASS



HOLE LAYOUT

THIS DRAWING IS A CONTROLLED DOCUMENT.		DIN 19APROS		WENKE HE	
DIMENSIONS: mm		TOLERANCES UNLESS OTHERWISE SPECIFIED:		STEVEN YAO	
0 PLC ± -		1 PLC ± -		IENOMOTO	
1 PLC ± -		2 PLC ± 0.13		NAME	
2 PLC ± -		3 PLC ± -		PRODUCT SPEC	
3 PLC ± -		4 PLC ± -		APPLICATION SPEC	
4 PLC ± -		ANGLES ± -		SIZE CAGE CODE DRAWING NO	
MATERIAL SEE CALLOUTS		FINISH SEE CALLOUTS		WEIGHT	
CUSTOMER DRAWING		SCALE 4:1		SHEET 1 OF 1	
9.95 STANDARD 5787444-2		8.95 STANDARD 5787444-1		DIM A PACKAGING TYPE PART NO	
STE		TE Connectivity		HEADER ASSEMBLY, VERTICAL, KEYLESS, 5mm E, 5 POSN, STRAIGHT SOLDER TAILS, BATTERY INTERCONNECT	
A1 00779		C=5787444		RESTRICTED TO	

Looking for pricing, stock, or lifecycle information?

Click below to explore more details on WIN SOURCE:

 [View 5787444-1 on WIN SOURCE](#)

 [TE Connectivity](#) Information

Optimize Your Supply Chain with WIN SOURCE Solutions

-  Global Sourcing Solution
-  Obsolete Management
-  Cost Control Management
-  Shortage Management
-  Alternative Solution
-  Excess Inventory Management