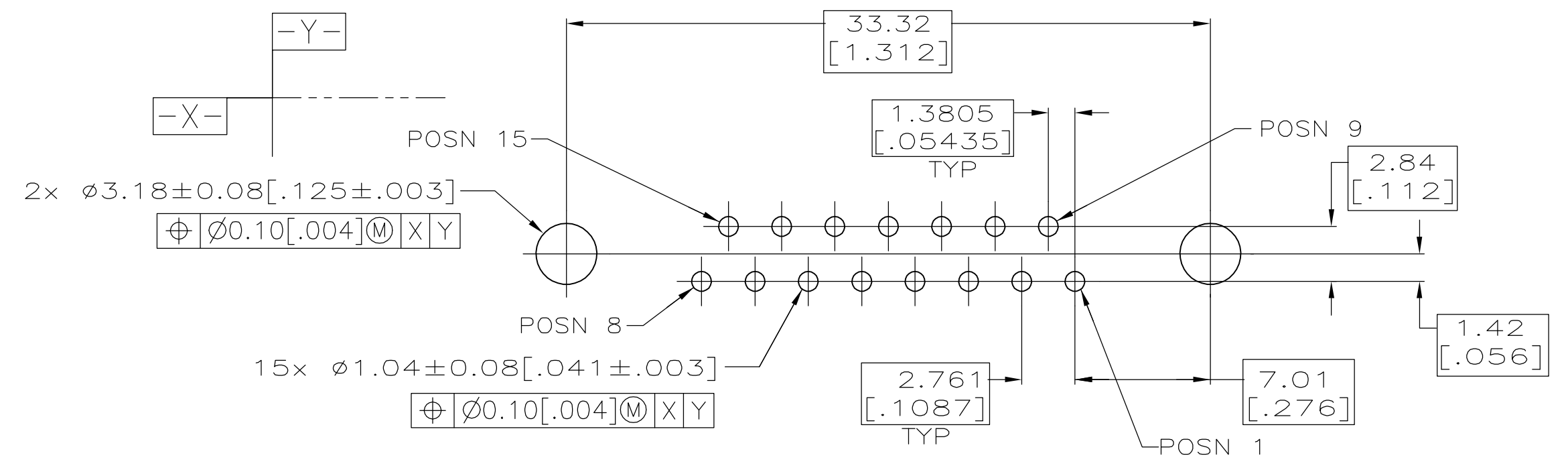
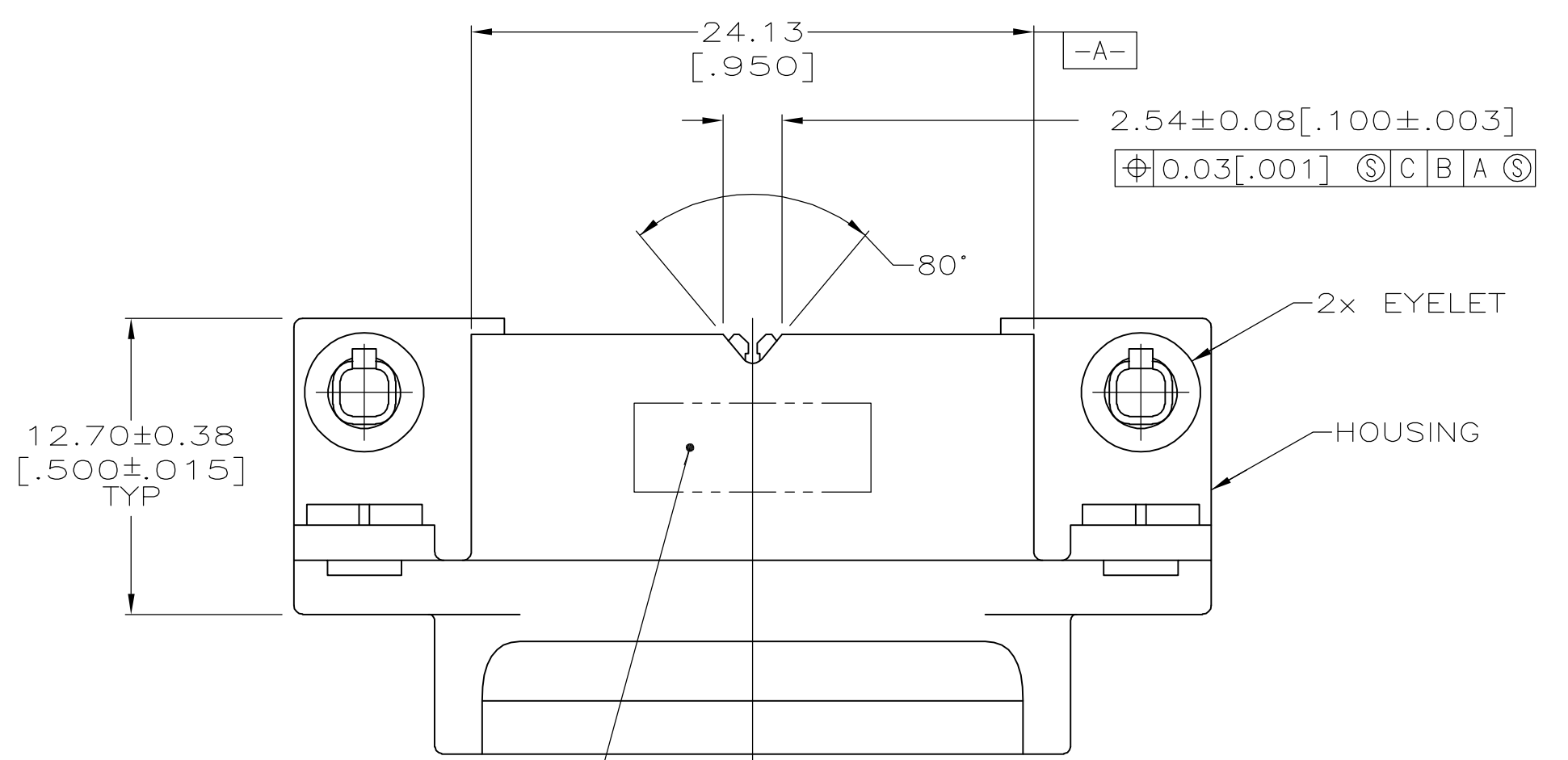




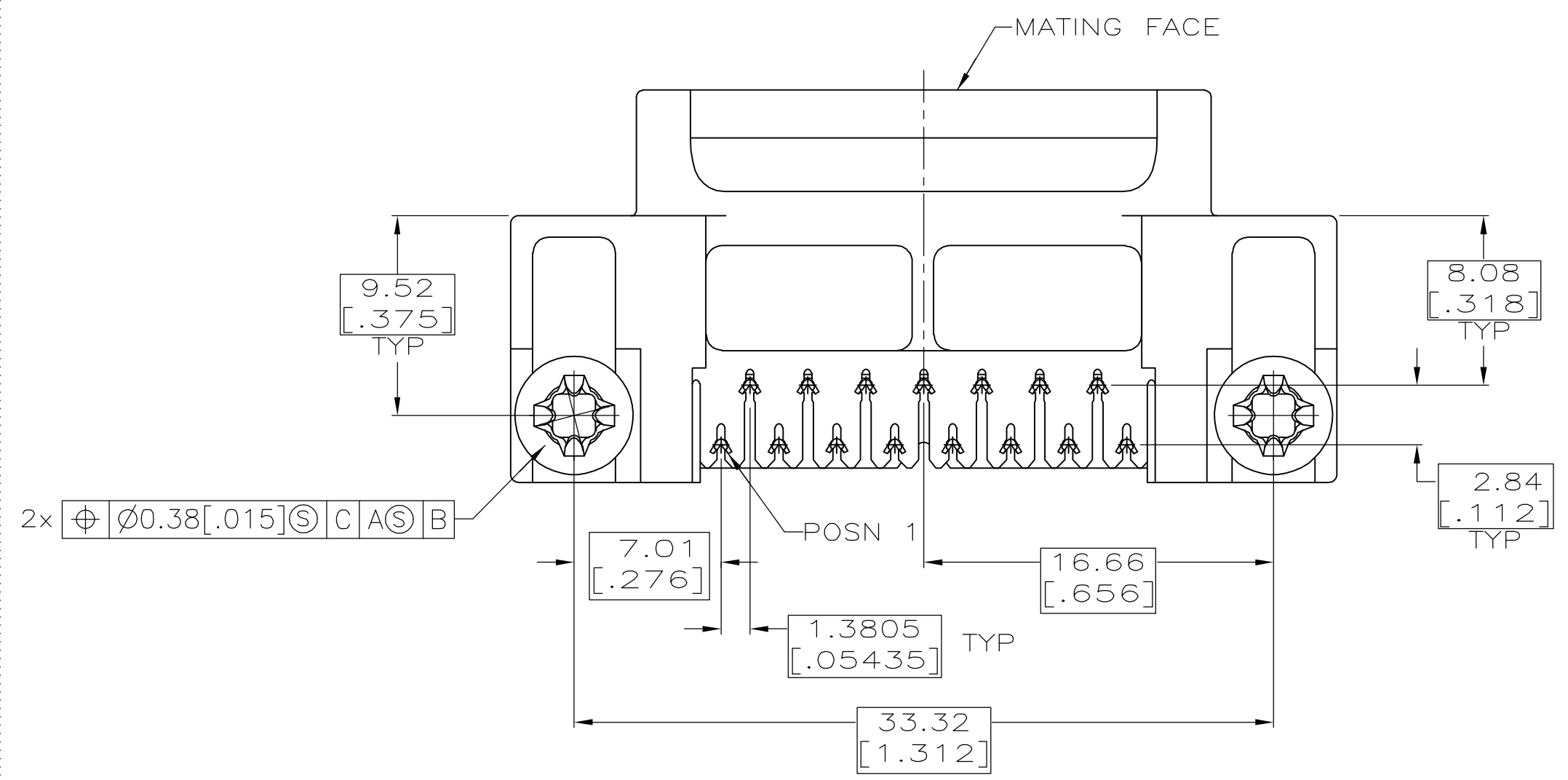
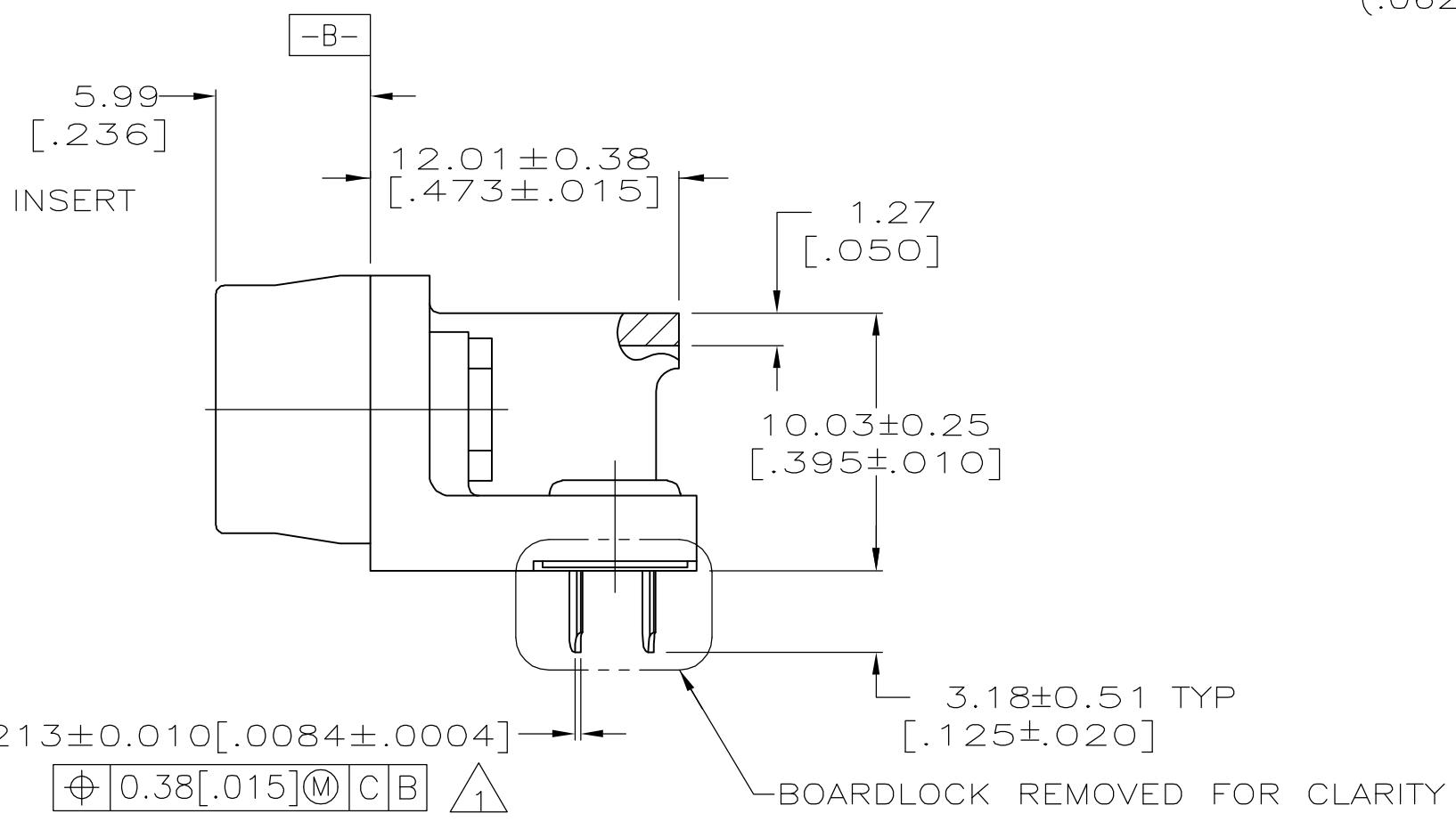
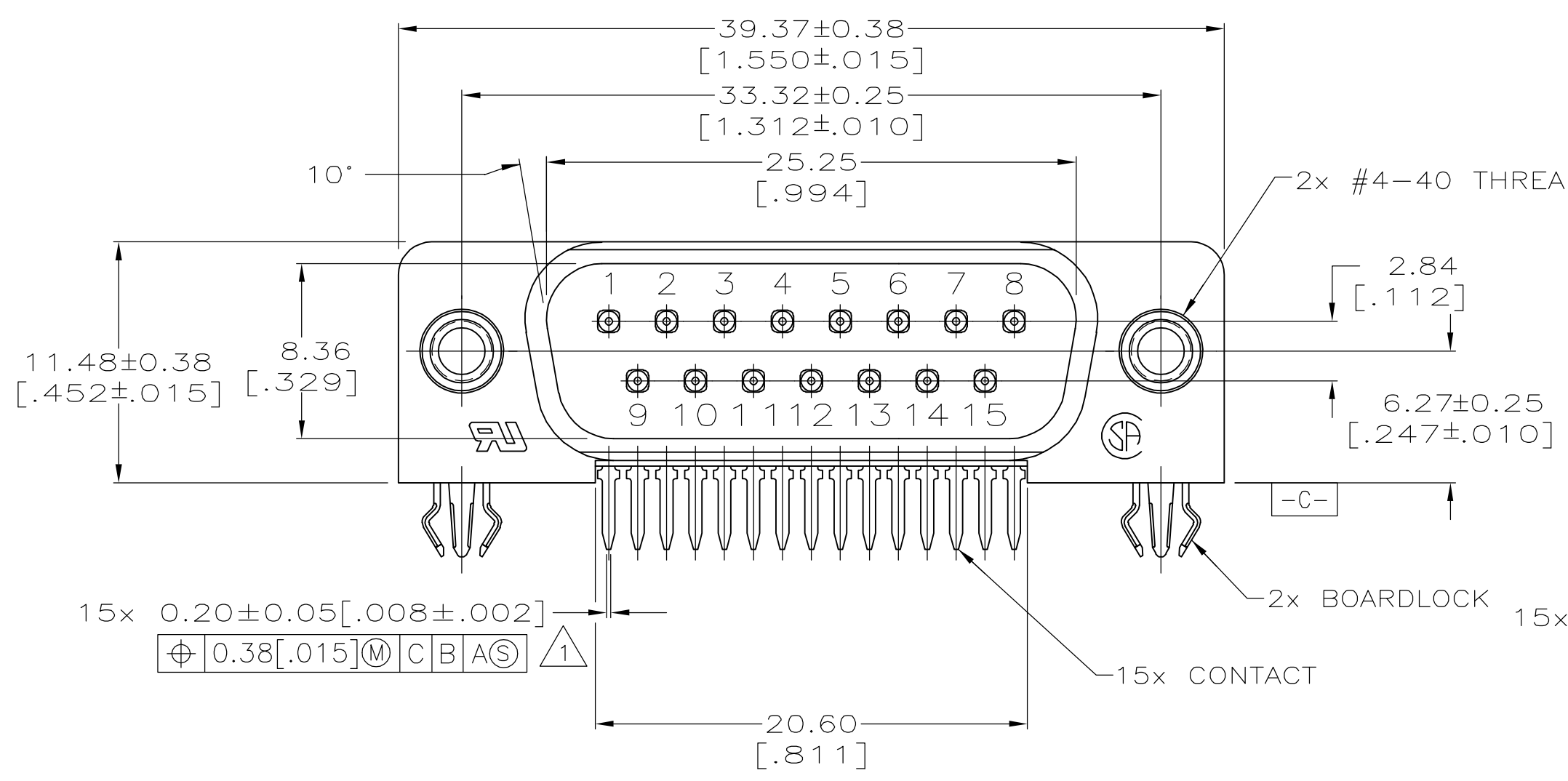
THE DATASHEET OF
5748904-1





PC BOARD MOUNTING DIMENSIONS
 (.062 PC BOARD THICKNESS)

- △ POSITION TOLERANCE APPLIES AT TIP ONLY.
- △ HOUSING: FLAME RETARDANT 94V-0, GLASS FILLED, NYLON OR POLYESTER, COLOR BLACK.
- CONTACTS: BARSS
- EYELETS: BRASS
- INSERTS: ZINC
- BOARDLOCKS: COPPER ALLOY
- △ EYELETS: 2.54 μm [.000100] MIN TIN OVER COPPER FLASH.
- BOARDLOCKS: 3.81 μm [.00015] MIN TIN OVER 1.27 μm [.000050] MIN NICKEL.
- CONTACTS: GOLD PLATED FOR A LENGTH OF 3.81 [.150] MIN FROM MATING END, 0.76 μm [.000030] MIN GOLD IN MATED AREA, 2.54 μm [.0001] MIN TIN FOR A LENGTH OF 3.68 [.145] MIN FROM OPPOSITE END, BOTH OVER 1.27 μm [.000050] MIN NICKEL.
- INSERTS: CLEAR CHROMATE COATING.



5748904-1
 PART NO

**COPYRIGHT 2005
 TYCO ELECTRONICS CORP
 ALL RIGHTS RESERVED**

THIS DRAWING IS A CONTROLLED DOCUMENT.		DWN G.PETERS 20SEP05	20SEP05	Tyco Electronics Corporation Harrisburg, PA 17105-3608
DIMENSIONS: mm [INCHES]		CHK S.BOLASH 20SEP05	20SEP05	
TOLERANCES UNLESS OTHERWISE SPECIFIED:		APVD M.WALMSLEY 20SEP05	20SEP05	NAME PLUG ASSEMBLY, SIZE 2, 15 POSN, ALL PLASTIC, RIGHT ANGLE, .318 SERIES, AMPLIMITE III
0 PLC ± -		PRODUCT SPEC 108-1226		SIZE A1
1 PLC ± -		APPLICATION SPEC 114-40027		CAGE CODE 00779
2 PLC ± 0.13 [.005]		WEIGHT -		DRAWING NO 5748904
3 PLC ± -		CUSTOMER DRAWING		RESTRICTED TO -
4 PLC ± -		SCALE 4:1		SHEET 1 OF 1
ANGLES ± z				REV 0

Looking for pricing, stock, or lifecycle information?

Click below to explore more details on WIN SOURCE:

 [View 5748904-1](#) on WIN SOURCE

 [TE Connectivity](#) Information

Optimize Your Supply Chain with WIN SOURCE Solutions

-  Global Sourcing Solution
-  Obsolete Management
-  Cost Control Management
-  Shortage Management
-  Alternative Solution
-  Excess Inventory Management