

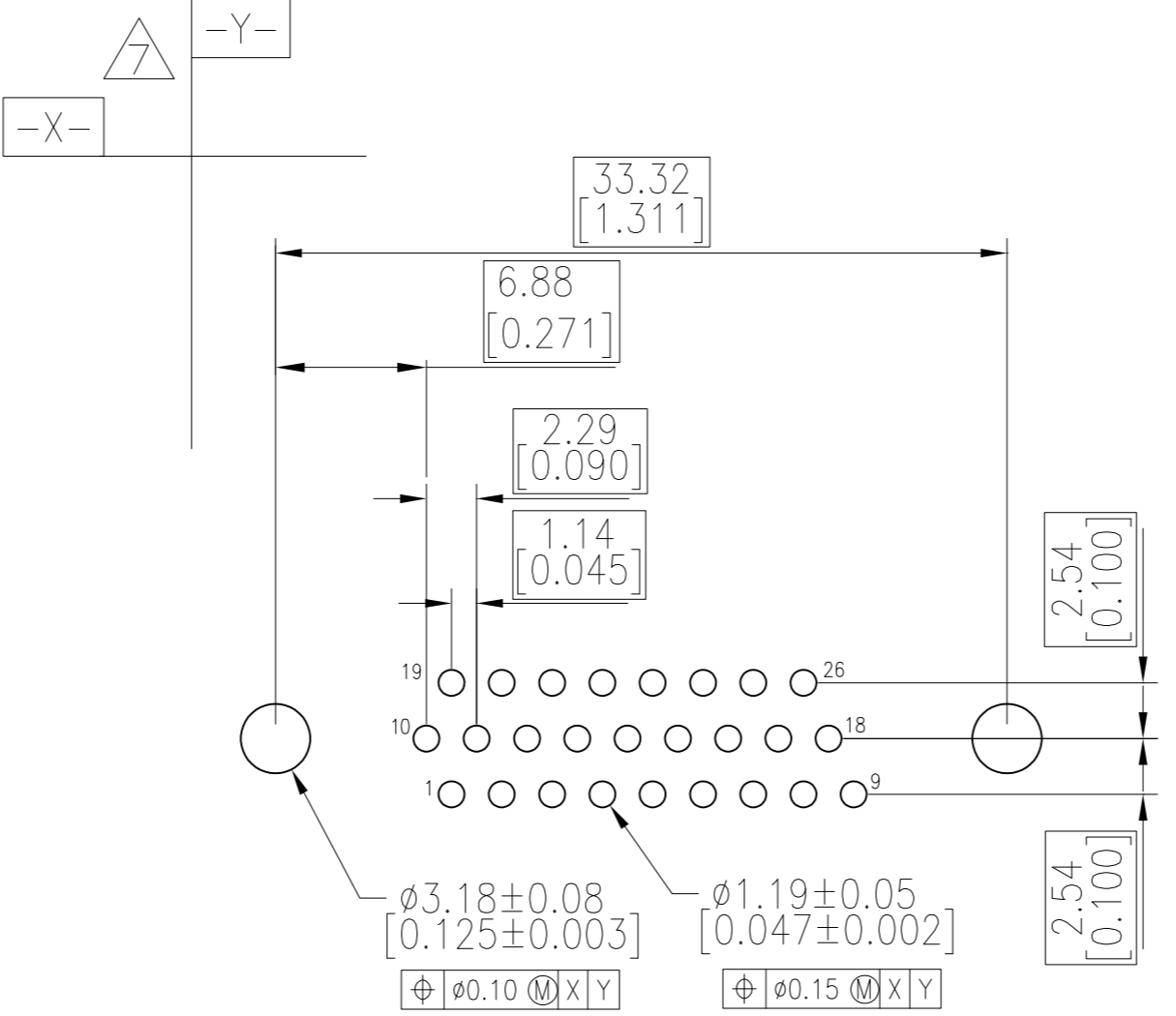
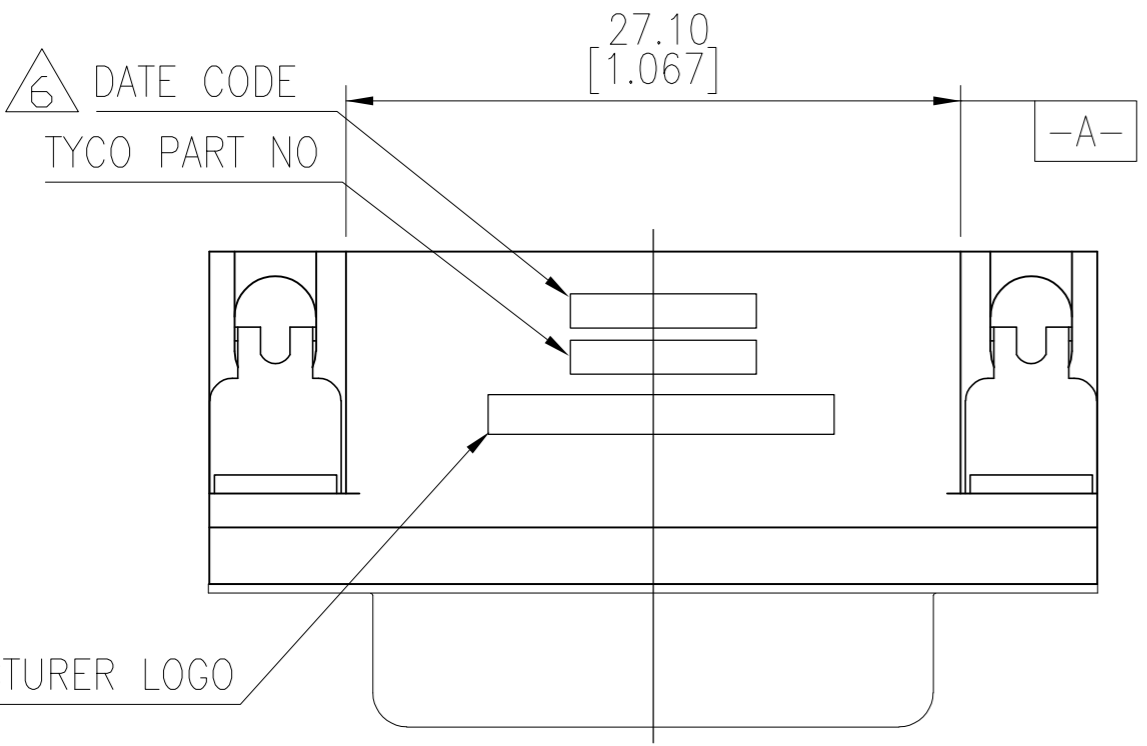


THE DATASHEET OF
5748481-5



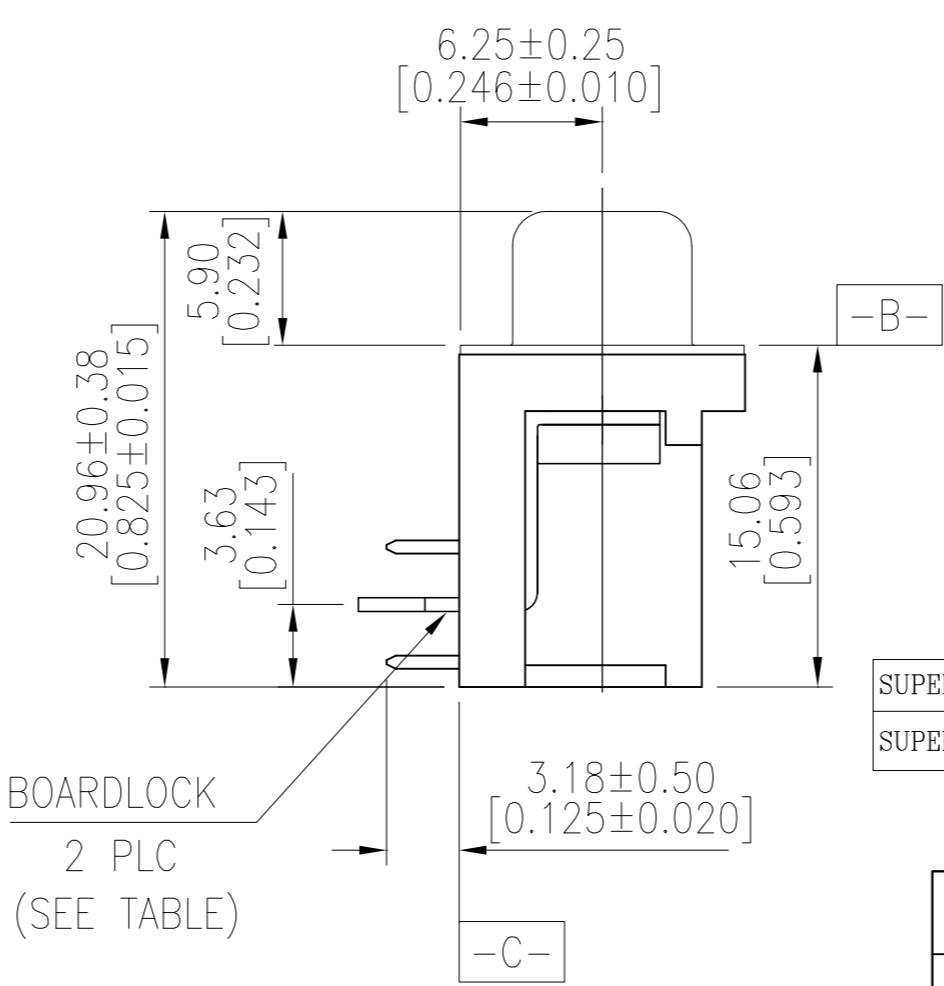
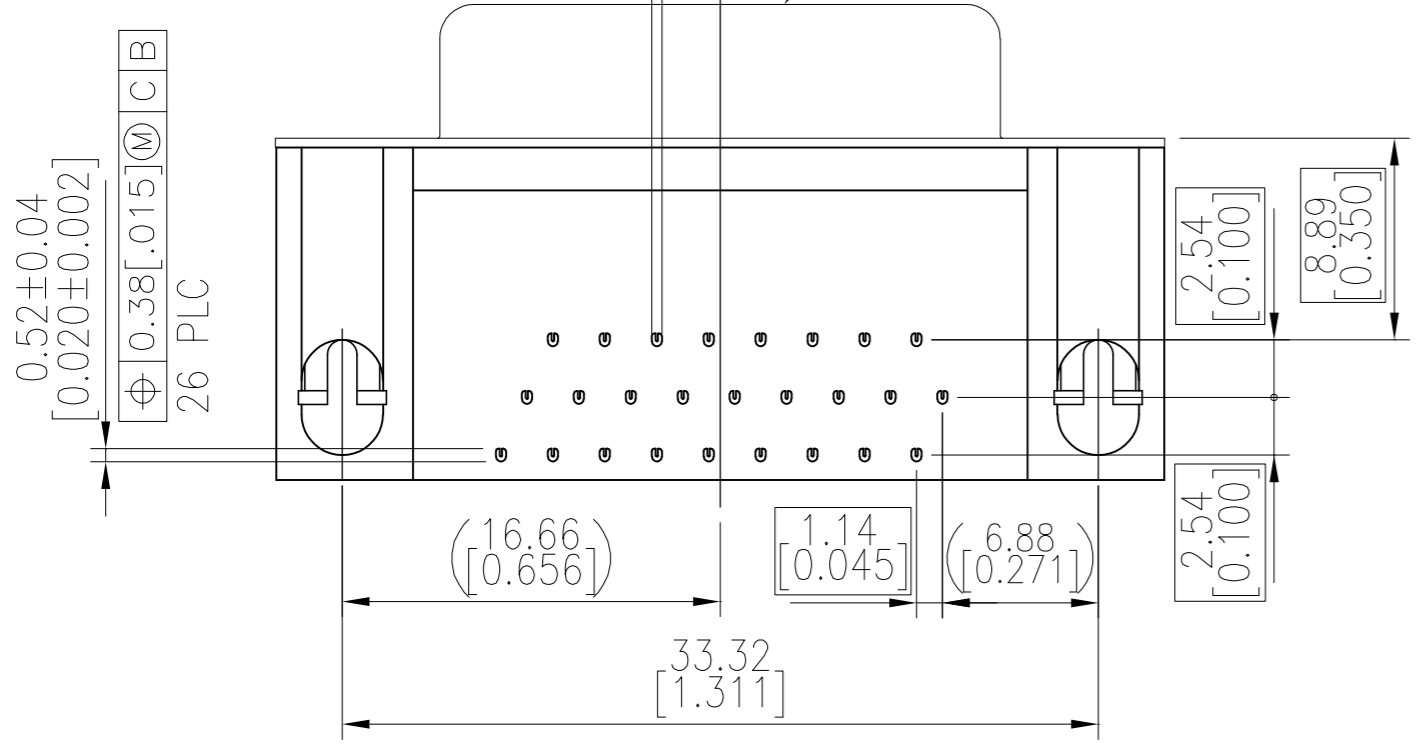
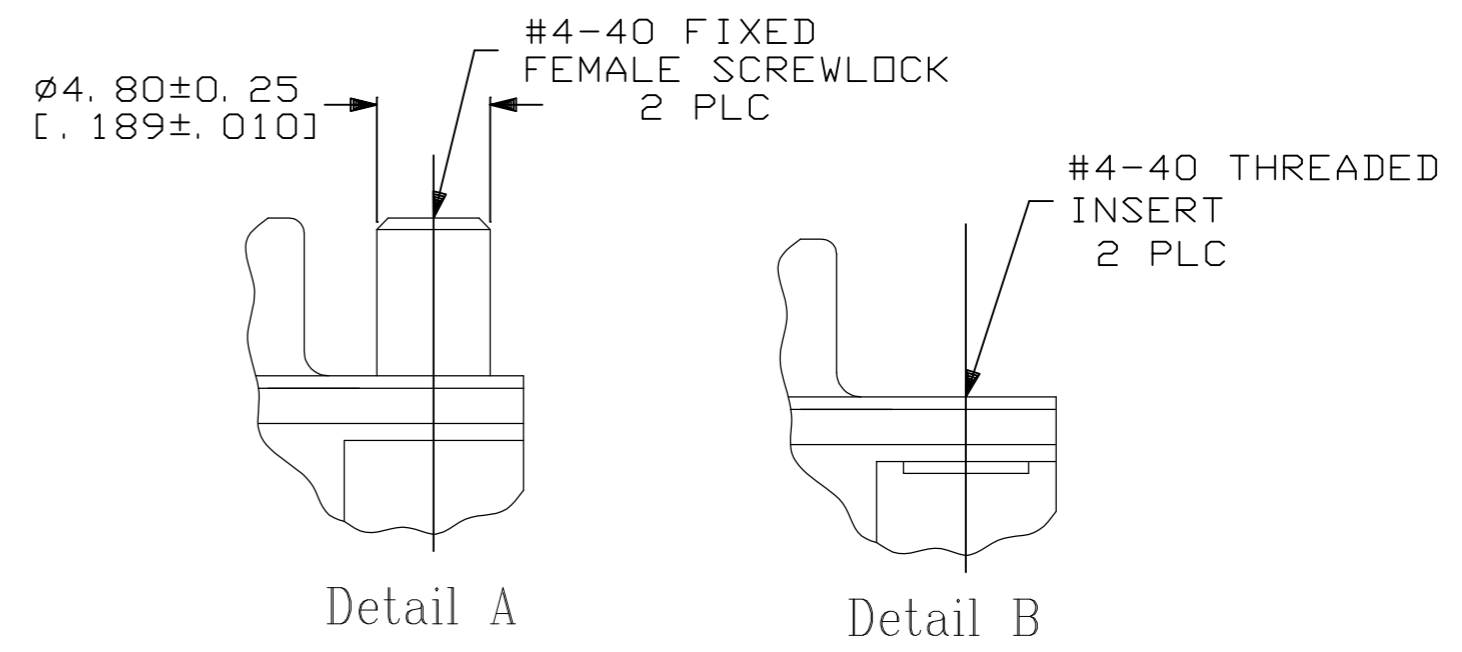
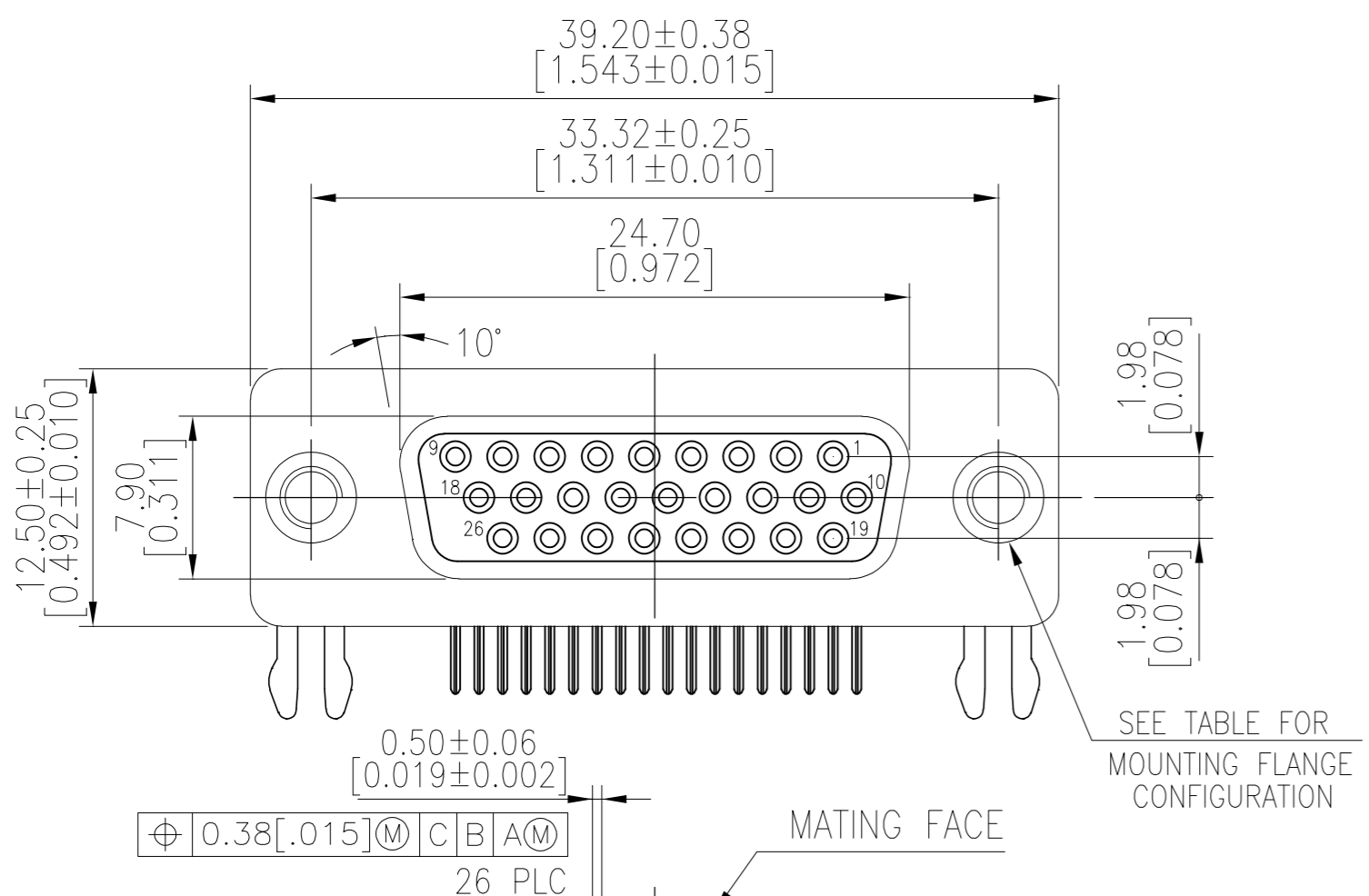
THIS DRAWING IS UNPUBLISHED. RELEASED FOR PUBLICATION
 © COPYRIGHT - By - ALL RIGHTS RESERVED.

LOC		DIST		REVISIONS			
P	LTR	DESCRIPTION		DATE	DWN	APVD	
GP	00	E		REVISED PER ECO-17-013750	16FEB2018	AP	DG



RECOMMENDED PCB LAYOUT

- HOUSING: PBT, 30% GF POLYESTER, UL 94V-0 RATED, COLOR BLACK.
- CONTACTS: PHOSPHOR BRONZE, GOLD PLATE IN MATING AREA (SEE TABLE), 120 μ MIN TIN PLATE ON SOLDER TAIL, BOTH OVER 50 μ MIN NICKEL UNDERPLATE.
- SHELL: STEEL, NICKEL PLATE.
- BOARDLOCK: BRASS, TIN PLATE 100 μ MIN.
- FEMALE SCREWLOCK: BRASS, NICKEL PLATE 30 μ MIN.
- FOUR DIGIT DATE CODE IN THIS FORMAT.
 01 45
 YEAR ———— MANUFACTURING WEEK
- DATUMS -X- & -Y- TO BE ESTABLISHED BY CUSTOMER.



OBSOLETE	NO	Tray	Detail B	Gold flash	2-5748481-7
OBSOLETE	NO	Tray	Detail B	15 μ MIN GOLD	2-5748481-6
OBSOLETE	YES	Tray	Detail A	Gold flash	2-5748481-5
OBSOLETE	YES	Tray	Detail A	15 μ MIN GOLD	2-5748481-4
OBSOLETE	YES	Tray	Detail B	Gold flash	2-5748481-3
OBSOLETE	YES	Tray	Detail B	15 μ MIN GOLD	2-5748481-2
OBSOLETE	NO	Tray	Detail B	30 μ MIN GOLD	1-5748481-9
SUPERSEDED BY 2311768-2	YES	Tray	Detail A	30 μ MIN GOLD	5748481-6
SUPERSEDED BY 2311768-1	YES	Tray	Detail B	30 μ MIN GOLD	5748481-5

BOARDLOCK	Packaging	Mounting Flange	Contact Mating Area Finish	Part No

THIS DRAWING IS A CONTROLLED DOCUMENT.

DWN	R.RICHARDSON	31MAY05
CHK	S.BOLASH	31MAY05
APVD	M.WALMSLEY	31MAY05
PRODUCT SPEC		
APPLICATION SPEC		
WEIGHT	-	
CUSTOMER DRAWING		

TE Connectivity

AMPLIMITE HD-22
26 POS RECEPTACLE, RIGHT ANGLE

SIZE	A2	CAGE CODE	00779	DRAWING NO	C=5748481	RESTRICTED TO	-
SCALE	1:1	SHEET	1 OF 1	REV	E		

5748481-5, 2--2, & 2--3 SHOWN

Looking for pricing, stock, or lifecycle information?

Click below to explore more details on WIN SOURCE:

 [View 5748481-5 on WIN SOURCE](#)

 [TE Connectivity](#) Information

Optimize Your Supply Chain with WIN SOURCE Solutions

-  Global Sourcing Solution
-  Obsolete Management
-  Cost Control Management
-  Shortage Management
-  Alternative Solution
-  Excess Inventory Management