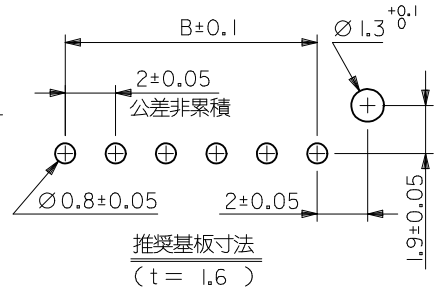
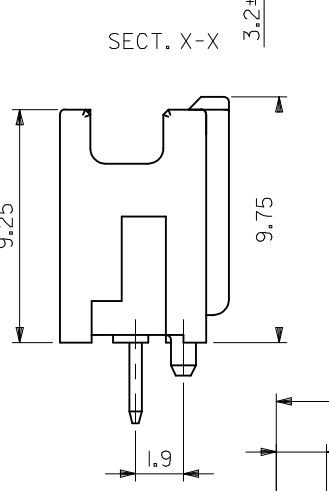
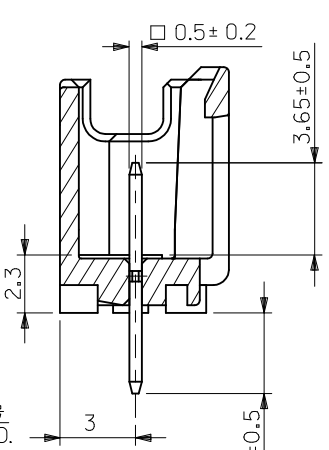
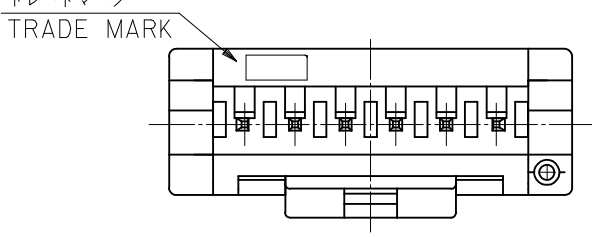
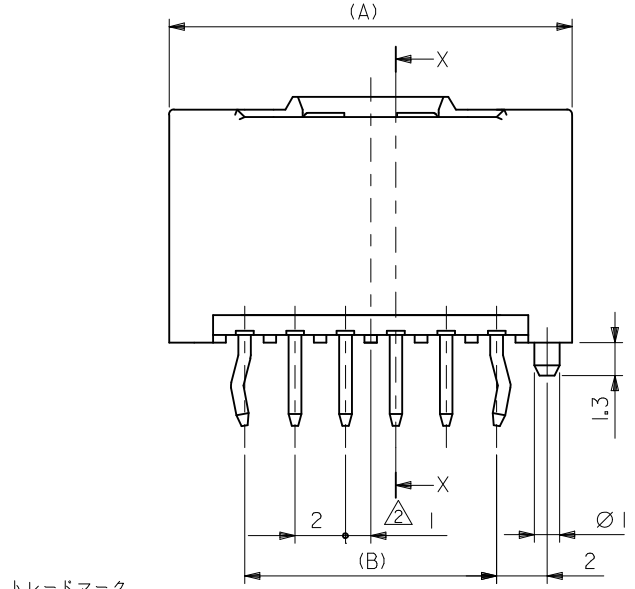
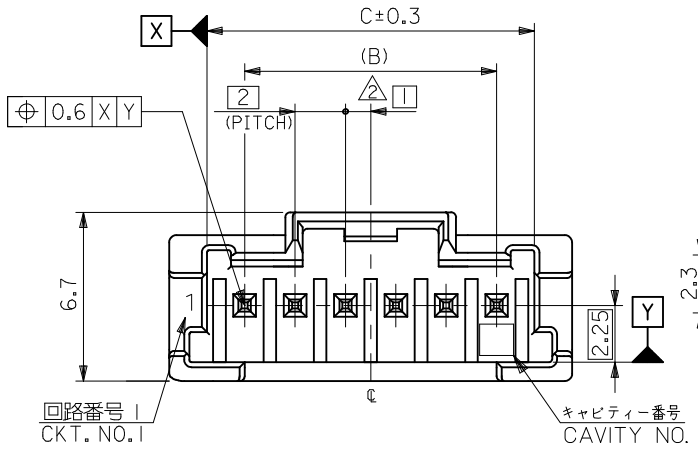




**THE DATASHEET OF**  
**55932-1210**





NOTE

- 嵌合相手: 51382シリーズ  
MATE WITH: 51382 SERIES
- 偶数極 (列) に適用。  
APPLY EVEN CIRCUIT PRODUCTS.
- キングは両外側の位置に付加。  
KINK TO BE APPLIED BOTH ENDS.
- 材質  
MATERIALS  
ハウジング: ポリエステル(PBT) UL94V-0  
HOUSING: POLYESTER(PBT) UL94V-0  
ピン: 黄銅  
PIN: BRASS
- めっき  
FINISHES  
ピン: 錫めっき, リフロー処理(前めっき) めっき厚: 1.0µm MIN.  
ニッケル下地めっき, めっき厚: 0.5µm MIN.  
PIN: PRE-TIN PLATED, (HEAT TREATED MATTE TIN)  
PLATING THICKNESS: 1.0µm MIN.  
NICKEL UNDERPLATE OVERALL  
PLATING THICKNESS: 0.5µm MIN.

△ 製品番号 MATERIAL NO.

55932-\*\*\*\*  
極数 CIRCUIT SIZE

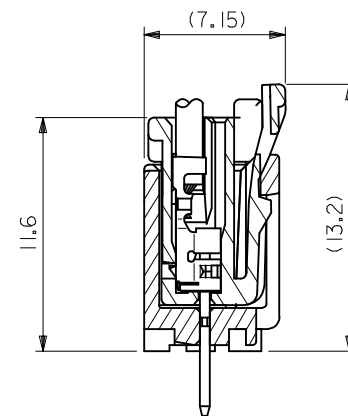
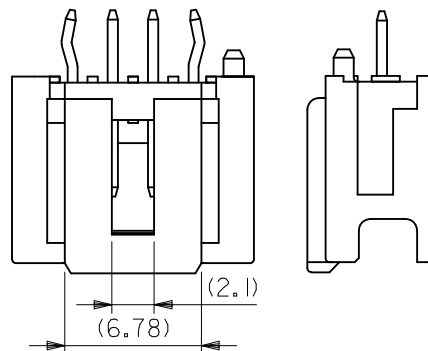
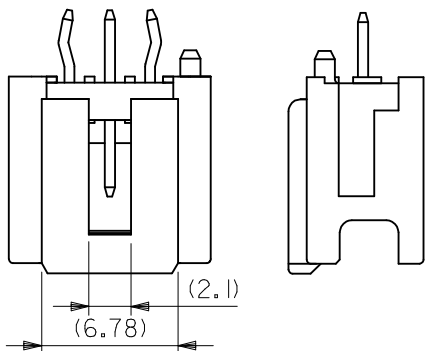
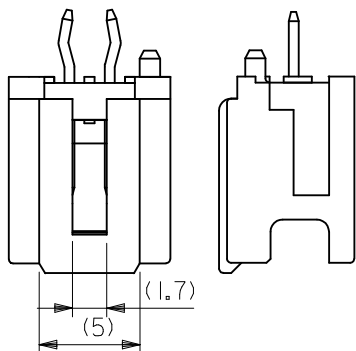
色 COLOR
10 自然色 (白) NATURAL (WHITE)
11 黒 BLACK
12 赤 RED
13 黄 YELLOW
14 青 BLUE
15 桃 PINK
16 緑 GREEN
17 茶 BROWN
18 橙 ORANGE
19 紫 VIOLET
41 灰 GRAY
43 蛍光黄 FLUORESCENCE YELLOW
44 水 PALE BLUE
46 黄緑 YELLOWISH GREEN

31	28	34	55932-15**	15
29	26	32	55932-14**	14
27	24	30	55932-13**	13
25	22	28	55932-12**	12
23	20	26	55932-11**	11
21	18	24	55932-10**	10
19	16	22	55932-09**	9
17	14	20	55932-08**	8
15	12	18	55932-07**	7
13	10	16	55932-06**	6
11	8	14	55932-05**	5
9	6	12	55932-04**	4
7	4	10	55932-03**	3
5	2	8	55932-02**	2
C	B	A	MATERIAL NO.	CKT.

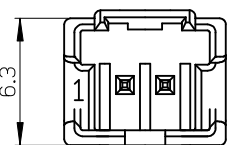
MODEL NO.: 55932-\*\*\*\*

REVISED	DESCRIPTION	GENERAL TOLERANCES (UNLESS SPECIFIED)			DIMENSION STYLE		SCALE	DESIGN UNITS		THIRD ANGLE PROJECTION
		0.25 UNDER	0.25 OVER	0.5 UNDER	1.0 UNDER	30 UNDER	MM ONLY	---	METRIC	
EC NO: J2017-0480	DRWKUSATO 2017/03/13	±0.03	±0.05	±0.1	±0.2	±0.25	±0.3	±3 °	ANGULAR	DRAFT WHERE APPLICABLE MUST REMAIN WITHIN DIMENSIONS
2017/03/13	CHK:DAIDA	DRAWN BY T. NIITSU		DATE '02/02/08		TITILE		2.0 W/B SINGLE CONN. PLUG HOUSING ASS'Y ST -LEAD FREE-		
2017/03/16	APPR:TKANEKO	CHECKED BY K. ASAKAWA		DATE '03/06/12		APPROVED BY T. YAMAGUCHI		DATE '03/06/12		molex
		MATERIAL NO.		SEE CHART		DOCUMENT NO.		SD-55932-002		
		SIZE A3		THIS DRAWING CONTAINS INFORMATION THAT IS PROPRIETARY TO MOLEX ELECTRONIC TECHNOLOGIES, LLC AND SHOULD NOT BE USED WITHOUT WRITTEN PERMISSION		SHEET NO.		1 OF 2		

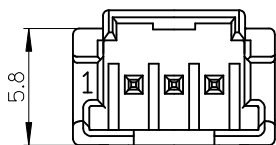
10 9 8 7 6 5 4 3 2 1



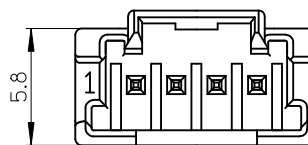
嵌合断面図



2 CIRCUIT



3 CIRCUIT



4 CIRCUIT 以上

MODEL NO. : 55932-\*\*\*\*

<b>REVISED</b> EC NO: J2017-0480 DRW:KUSATO 2017/03/13 CHK:DAIDA 2017/03/13 APPR:KANAKO 2017/03/16	GENERAL TOLERANCES (UNLESS SPECIFIED)			DIMENSION STYLE <b>MM ONLY</b>		SCALE ---	DESIGN UNITS <b>METRIC</b>	THIRD ANGLE PROJECTION	
	0.25 UNDER	UNDER	±0.03	DRAWN BY	DATE	TITLE			
	0.25 OVER	0.5 UNDER	±0.05	T.NIITSU	'02/02/08	2.0 W/B SINGLE CONN. PLUG HOUSING ASS'Y ST -LEAD FREE-			
	0.5 OVER	1.0 UNDER	±0.1	CHECKED BY	DATE				
	1.0 OVER	10 UNDER	±0.2	K.ASAKAWA	'03/06/12				
	10 OVER	30 UNDER	±0.25	APPROVED BY	DATE	DOCUMENT NO.		SHEET NO.	
30 OVER		±0.3	T.YAMAGUCHI	'03/06/12	SD-55932-002		2 OF 2		
ANGULAR	±3 °		MATERIAL NO.		SEE SHEET 1				
DRAFT WHERE APPLICABLE MUST REMAIN WITHIN DIMENSIONS				SIZE <b>A3</b>	THIS DRAWING CONTAINS INFORMATION THAT IS PROPRIETARY TO MOLEX ELECTRONIC TECHNOLOGIES, LLC AND SHOULD NOT BE USED WITHOUT WRITTEN PERMISSION				

9 8 7 6 5 4 3 2 1

## Looking for pricing, stock, or lifecycle information?

Click below to explore more details on WIN SOURCE:

 [View 55932-1210 on WIN SOURCE](#)

 [Molex, LLC Information](#)

## Optimize Your Supply Chain with WIN SOURCE Solutions

-  Global Sourcing Solution
-  Obsolete Management
-  Cost Control Management
-  Shortage Management
-  Alternative Solution
-  Excess Inventory Management