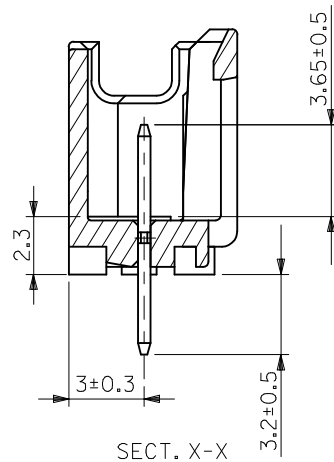
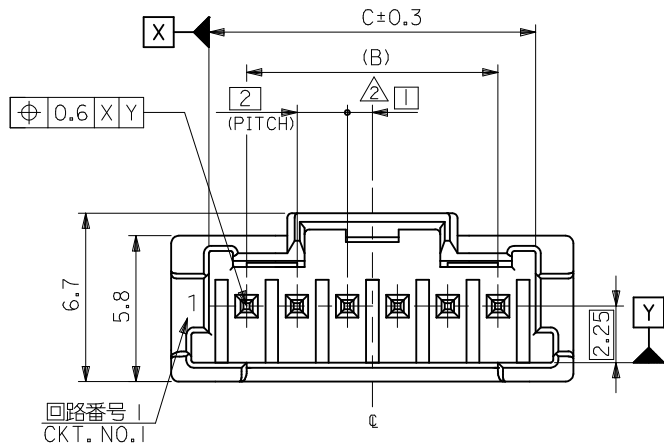




**THE DATASHEET OF**  
**55932-0430**





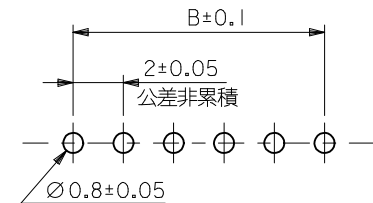
NOTE

- 1. 嵌合相手: 51382-\*\*\*\*
- △ 偶数極 (列) に適用。
- 3. キングは両外側の位置に付加。
- △ 製品番号 MATERIAL NO.

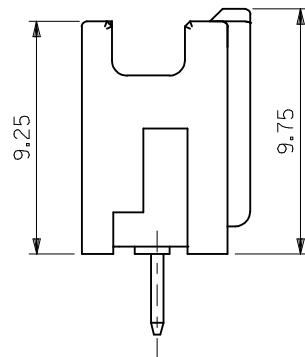
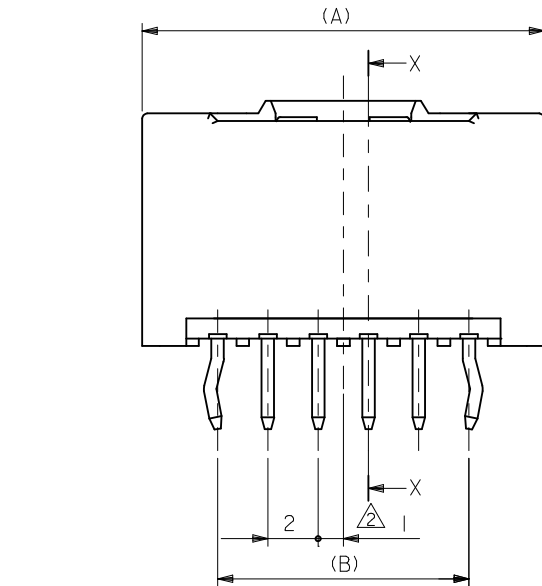
55932-\*\*\*\*

極数 CIRCUIT SIZE

- 5. 材質  
ピン : 黄銅  
ハウジング : PBT
- 6. めっき  
錫めっき  
下地 : ニッケルめっき



推奨基板寸法  
(t = 1.6)

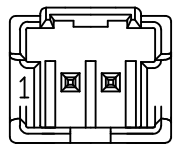
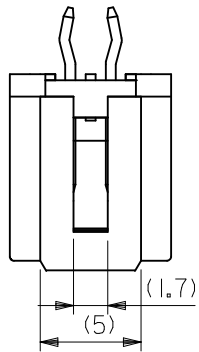


色 COLOR	
30	自然色 (白) NATURAL (WHITE)
31	黒 BLACK
32	赤 RED
33	黄 YELLOW
34	青 BLUE
35	桃 PINK
36	緑 GREEN
37	茶 BROWN
38	橙 ORANGE
39	紫 VIOLET
51	灰 GRAY
53	蛍光黄 FLUORESCENT YELLOW
54	水 PALE BLUE
55	蛍光桃 FLUORESCENT PINK
56	黄緑 YELLOWISH GREEN
58	蛍光橙 FLUORESCENT ORANGE

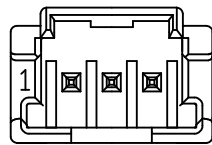
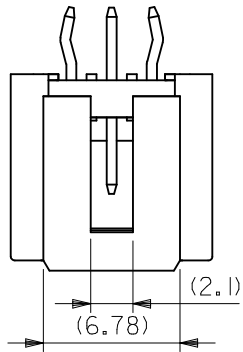
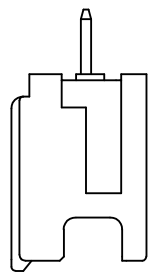
31	28	34	55932-15**	15
29	26	32	55932-14**	14
27	24	30	55932-13**	13
25	22	28	55932-12**	12
23	20	26	55932-11**	11
21	18	24	55932-10**	10
19	16	22	55932-09**	9
17	14	20	55932-08**	8
15	12	18	55932-07**	7
13	10	16	55932-06**	6
11	8	14	55932-05**	5
9	6	12	55932-04**	4
7	4	10	55932-03**	3
5	2	8	55932-02**	2
C	B	A	△ MATERIAL NO.	CKT.

MODEL NO. : 55932-\*\*\*\*  
DESIGN UNITS  
METRIC  
THIRD ANGLE PROJECTION

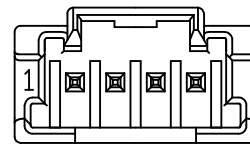
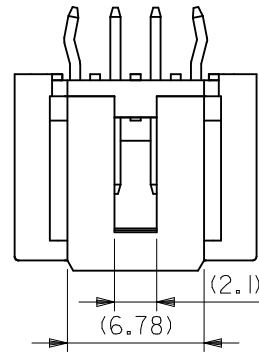
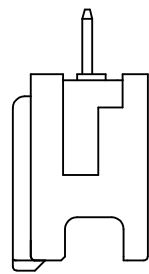
REVISED EC NO. : J2015-0937 DRWN:KMATSUJAWA 2015/10/05 CHK:DKASAKAWA 2015/10/05 APPR:NUKITA 2015/10/26	GENERAL TOLERANCES (UNLESS SPECIFIED)		DIMENSION STYLE MM ONLY		SCALE ---	TITLE 2.0 W/B CONN. PLUG HOUSING ASS'Y ST -LEAD FREE-	
	0.25 UNDER	±0.03	DRAWN BY	DATE	T. NIITSU '02/02/08		
	0.25 OVER 0.5 UNDER	±0.05	CHECKED BY	DATE	K. ASAKAWA '03/06/12		
	0.5 OVER 1.0 UNDER	±0.1	APPROVED BY	DATE	T. YAMAGUCHI '03/06/12		
1.0 OVER 10 UNDER	±0.2	MATERIAL NO.		DOCUMENT NO.			
10 OVER 30 UNDER	±0.25	SEE CHART		SD-55932-006			
30 OVER	±0.3	DRAFT WHERE APPLICABLE MUST REMAIN WITHIN DIMENSIONS		SIZE A3		SHEET NO. 1 OF 2	
THIS DRAWING CONTAINS INFORMATION THAT IS PROPRIETARY TO MOLEX INCORPORATED AND SHOULD NOT BE USED WITHOUT WRITTEN PERMISSION							



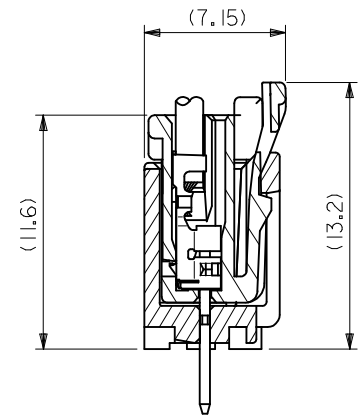
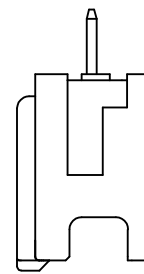
2 CIRCUIT



3 CIRCUIT

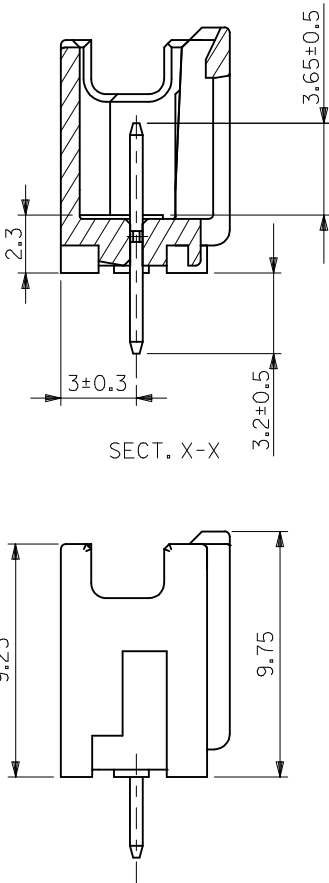
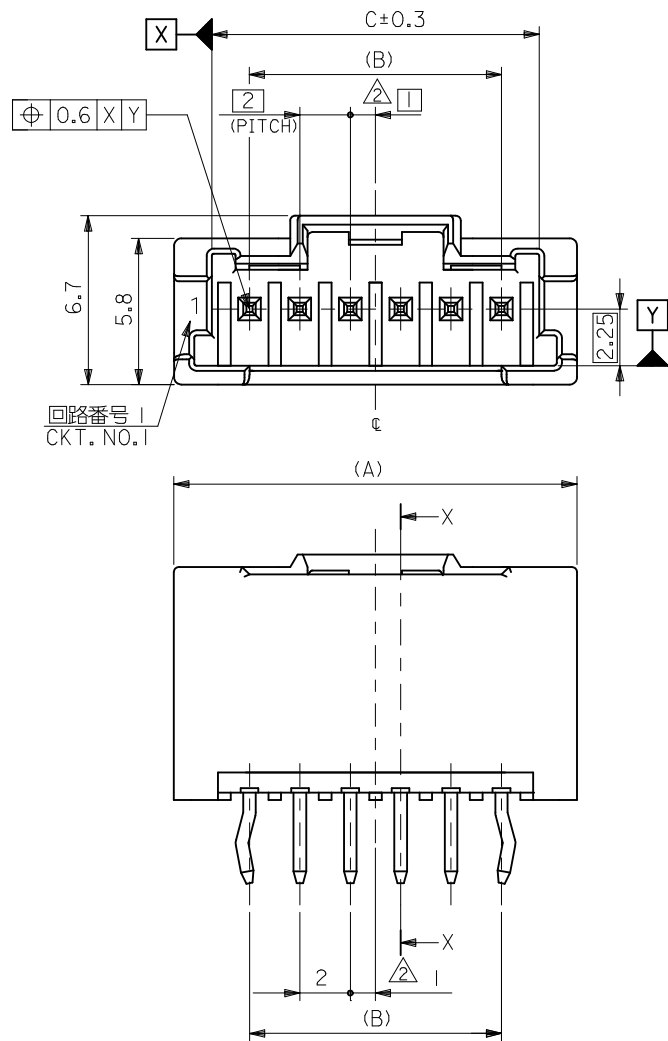


4 CIRCUIT



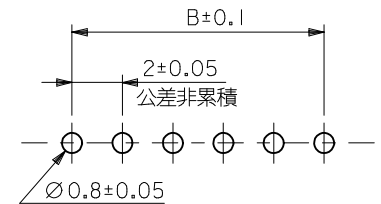
嵌合断面図

REVISED EC NO: J2015-0937 DRW:KMATSUYAMA 2015/10/05 CHK:D.KASAKAWA 2015/10/05 APPR:NUKITA 2015/10/26	GENERAL TOLERANCES (UNLESS SPECIFIED)		DIMENSION STYLE MM ONLY		SCALE ---	DESIGN UNITS METRIC	THIRD ANGLE PROJECTION
	0.25 UNDER	±0.03	DRAWN BY T.NIITSU	DATE '02/02/08	TITLE 2.0 W/B CONN. PLUG HOUSING ASS'Y ST -LEAD FREE-		
	0.25 OVER 0.5 UNDER	±0.05	CHECKED BY K.ASAKAWA	DATE '03/06/12			
	0.5 OVER 1.0 UNDER	±0.1	APPROVED BY T.YAMAGUCHI	DATE '03/06/12			
1.0 OVER 10 UNDER	±0.2	MATERIAL NO. SEE SHEET 1		DOCUMENT NO. SD-55932-006	SHEET NO. 2 OF 2		
10 OVER 30 UNDER	±0.25	THIS DRAWING CONTAINS INFORMATION THAT IS PROPRIETARY TO MOLEX INCORPORATED AND SHOULD NOT BE USED WITHOUT WRITTEN PERMISSION					
30 OVER	±0.3	DRAFT WHERE APPLICABLE MUST REMAIN WITHIN DIMENSIONS					
ANGULAR	±3 °						



NOTE

1. 嵌合相手：51382-\*\*\*\*
- △ 偶数極（列）に適用。
3. キングは両外側の位置に付加。
4. ピン：黄銅、ニッケル下地錫メッキ  
ハウジング：PBT
- △ 適合リテーナー：500638シリーズ  
APPLICABLE RETAINER：500638 SERIES.
- △ 製品番号 MATERIAL NO.



推奨基板寸法  
(t=1.6)

55932-\*\*\*\*

極数 CIRCUIT SIZE

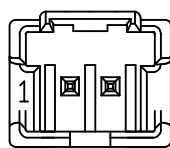
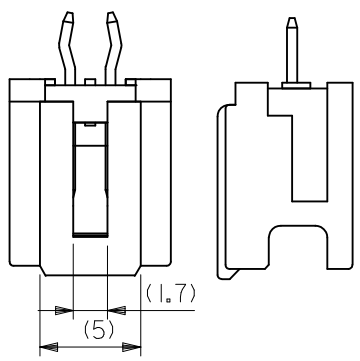
色 COLOR

30	自然色 (白) NATURAL (WHITE)
31	黒 BLACK
32	赤 RED
33	黄 YELLOW
34	青 BLUE
35	桃 PINK
36	緑 GREEN
37	茶 BROWN
38	橙 ORANGE
39	紫 VIOLET
51	灰 GRAY
53	蛍光黄 FLUORESCENT YELLOW
54	水 PALE BLUE
55	蛍光桃 FLUORESCENT PINK
56	黄緑 YELLOWISH GREEN
58	蛍光橙 FLUORESCENT ORANGE

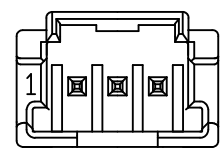
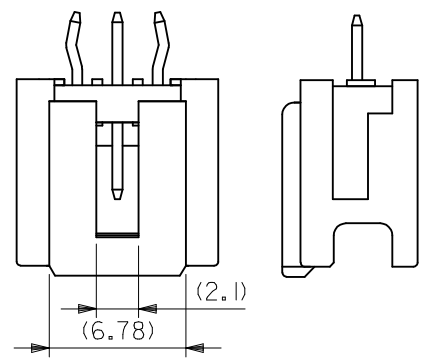
31	28	34	55932-15**	15
29	26	32	55932-14**	14
27	24	30	55932-13**	13
25	22	28	55932-12**	12
23	20	26	55932-11**	11
21	18	24	55932-10**	10
19	16	22	55932-09**	9
17	14	20	55932-08**	8
15	12	18	55932-07**	7
13	10	16	55932-06**	6
11	8	14	55932-05**	5
9	6	12	55932-04**	4
7	4	10	55932-03**	3
5	2	8	55932-02**	2
C	B	A	△ MATERIAL NO. CKT.	

MODEL NO. : 55932-\*\*\*\*

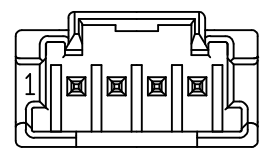
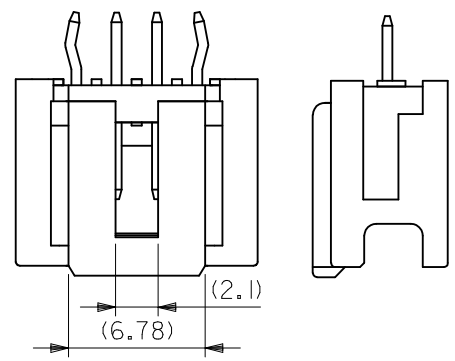
REVISED EC NO: J2016-0482 DRWN: TMIYABE 2015/10/15 CHKD: KASAKAWA 2015/11/10 APPR: NUKITA 2015/12/24	GENERAL TOLERANCES (UNLESS SPECIFIED)			DIMENSION STYLE		SCALE		DESIGN UNITS		THIRD ANGLE PROJECTION	
	0.25 UNDER UNDER ±0.03			MM ONLY		---		METRIC		◎ □	
	0.25 OVER 0.5 UNDER ±0.05			DRAWN BY		DATE		TITLE		2.0 W/B CONN.PLUG HOUSING ASS'Y W/O BOSS -LEAD FREE- <b>molex</b> SD-55932-007 SHEET NO. 1 OF 2	
	0.5 OVER 1.0 UNDER ±0.1			CHECKED BY		DATE					
	1.0 OVER 10 UNDER ±0.2			MTANAKA		2005/06/13					
10 OVER 30 UNDER ±0.25			APPROVED BY		DATE						
30 OVER ±0.3			NUKITA		2005/06/13						
ANGULAR ±3 °			MATERIAL NO.		DOCUMENT NO.						
DRAFT WHERE APPLICABLE MUST REMAIN WITHIN DIMENSIONS			SIZE		THIS DRAWING CONTAINS INFORMATION THAT IS PROPRIETARY TO MOLEX INCORPORATED AND SHOULD NOT BE USED WITHOUT WRITTEN PERMISSION						



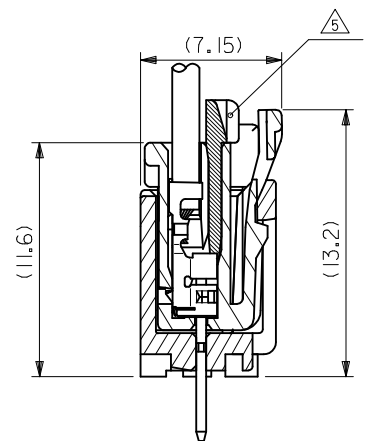
2 CIRCUIT



3 CIRCUIT



4 CIRCUIT



嵌合断面図

MODEL NO. : 55932-\*\*\*\*

REVISED EC NO: J2016-0482 DRWN: MIYABE 2015/10/13 CHKD: KASAKAWA 2015/11/10 APPR: NUKITA 2015/12/24	GENERAL TOLERANCES (UNLESS SPECIFIED)			DIMENSION STYLE MM ONLY		SCALE ---	DESIGN UNITS METRIC	THIRD ANGLE PROJECTION
	0.25 UNDER	UNDER	±0.03	DRAWN BY YMAEDA	DATE 2005/06/13	TITLE 2.0 W/B CONN.PLUG HOUSING ASS'Y W/O BOSS -LEAD FREE-		
	0.25 OVER	0.5 UNDER	±0.05	CHECKED BY MTANAKA	DATE 2005/06/13			
	0.5 OVER	1.0 UNDER	±0.1	APPROVED BY NUKITA	DATE 2005/06/13			
	1.0 OVER	10 UNDER	±0.2	MATERIAL NO. SEE SHEET 1		DOCUMENT NO. SD-55932-007	SHEET NO. 2 OF 2	
10 OVER	30 UNDER	±0.25	THIS DRAWING CONTAINS INFORMATION THAT IS PROPRIETARY TO MOLEX INCORPORATED AND SHOULD NOT BE USED WITHOUT WRITTEN PERMISSION					
30 OVER		±0.3						
ANGULAR ±3 °								
DRAFT WHERE APPLICABLE MUST REMAIN WITHIN DIMENSIONS								

## Looking for pricing, stock, or lifecycle information?

Click below to explore more details on WIN SOURCE:

 [View 55932-0430 on WIN SOURCE](#)

 [Molex, LLC Information](#)

## Optimize Your Supply Chain with WIN SOURCE Solutions

-  Global Sourcing Solution
-  Obsolete Management
-  Cost Control Management
-  Shortage Management
-  Alternative Solution
-  Excess Inventory Management