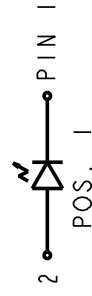
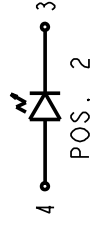




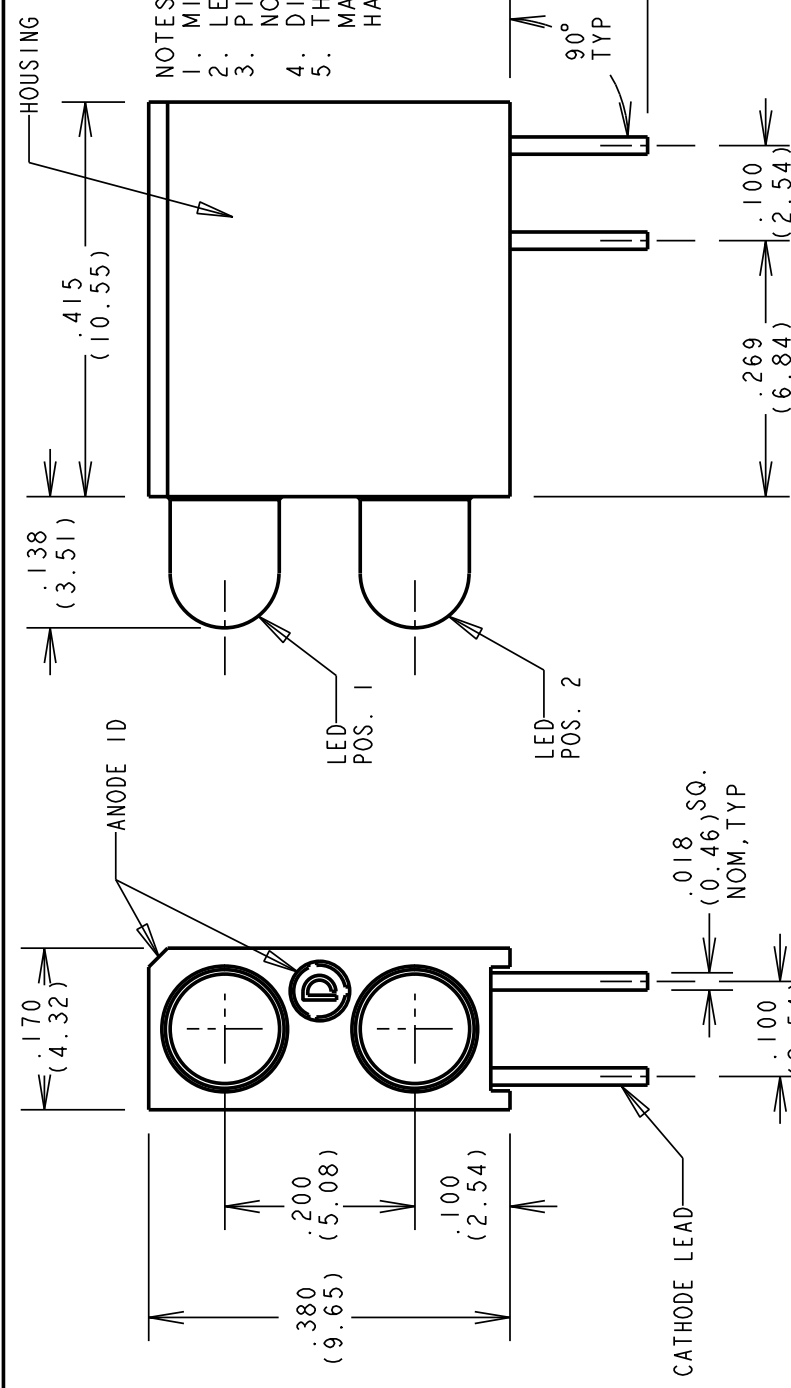
THE DATASHEET OF
5530111200F



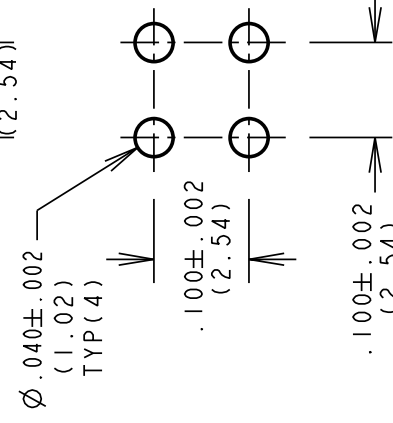
PART NUMBER	LED COLOR(DIFFUSED)	
	POSITION 1	POSITION 2
553-0101-200F	BLANK	RED
553-0102-200F	BLANK	GREEN
553-0103-200F	BLANK	YELLOW
553-0110-200F	RED	BLANK
553-0111-200F	RED	RED
553-0112-200F	RED	GREEN
553-0113-200F	RED	YELLOW
553-0120-200F	GREEN	BLANK
553-0121-200F	GREEN	RED
553-0122-200F	GREEN	GREEN
553-0123-200F	GREEN	YELLOW
553-0128-200F	GREEN	BLUE
553-0130-200F	YELLOW	BLANK
553-0131-200F	YELLOW	RED
553-0132-200F	YELLOW	GREEN
553-0133-200F	YELLOW	YELLOW
553-0183-200F	BLUE	YELLOW
553-0188-200F	BLUE	BLUE
553-0201-200F	BLANK	RED
553-0202-200F	BLANK	GREEN
553-0203-200F	BLANK	YELLOW
553-0210-200F	RED	BLANK
553-0211-200F	RED	RED
553-0212-200F	RED	GREEN
553-0213-200F	RED	YELLOW
553-0220-200F	GREEN	BLANK
553-0222-200F	GREEN	GREEN
553-0232-200F	YELLOW	GREEN
553-0233-200F	YELLOW	YELLOW
553-0311-200F	RED	RED
553-0322-200F	GREEN	GREEN
553-0333-200F	YELLOW	YELLOW



LEAD CONFIGURATION



CATHODE LEAD
 $\varnothing .040 \pm .002$
 (1.02)
 TYP(4)
 $.100 \pm .002$
 (2.54)
 $.118 \pm .010$
 (3.00)
 DIA, TYP
 $.018$ SQ.
 (0.46)
 NOM, TYP



RECOMMENDED PC BOARD HOLE PATTERN



ATTENTION
 OBSERVE PRECAUTIONS
 HANDLING ELECTROSTATIC
 SENSITIVE DEVICES

NOTES
 1. MOUNTING SURFACE
 2. LEAD PLACEMENT
 3. PIN NUMBER
 4. THICKNESS
 5. MATERIAL
 HA

2 ma LOW CURRENT LED
 OPERATING CHARACTERISTICS AT 25°C AMBIENT
 FOR 553-02XX-400)

CHARACTERISTICS	MIN	TYP	MAX	UNITS	TEST COND.
LUMINOUS INTENSITY	1.0	1.6		mcd	$I_f = 2$ mA
	1.0	1.6			
	1.0	1.6			
FORWARD VOLTAGE		1.7	2.2	V	$I_f = 2$ mA
	YELLOW	1.8	2.7		
	GREEN	1.9	2.2		
REVERSE VOLTAGE	5			V	$I_r = 10$ μ A
PEAK WAVELENGTH		635		nm	MEASURED AT PEAK
		585			
		565			
VIEWING ANGLE		60		Degree	

5 V., INTEGRAL RESISTOR LED
 OPERATING CHARACTERISTICS AT 25°C AMBIENT
 FOR 553-03XX-400)

CHARACTERISTICS	L.E.D. COLOR	MIN	TYP	MAX	UNITS	TEST CO
LUMINOUS INTENSITY	RED	8.7	29		mcd	$V_f = 5$
	YELLOW	3.7	12.6			
	GREEN	5.6	19			
FORWARD CURRENT	RED		10	20	mA	$V_f = 5$
	YELLOW		10	20		
	GREEN		12	20		
REVERSE VOLTAGE	ALL	5			V	$I_r = 10$
PEAK WAVELENGTH	RED		635		nm	MEASUR AT PE
	YELLOW		585			
	GREEN		565			
VIEWING ANGLE	ALL		60		Degree	

Looking for pricing, stock, or lifecycle information?

Click below to explore more details on WIN SOURCE:

[View 5530111200F on WIN SOURCE](#)

[Dialight Information](#)

Optimize Your Supply Chain with WIN SOURCE Solutions

- ✓ Global Sourcing Solution
- ✓ Obsolete Management
- ✓ Cost Control Management
- ✓ Shortage Management
- ✓ Alternative Solution
- ✓ Excess Inventory Management