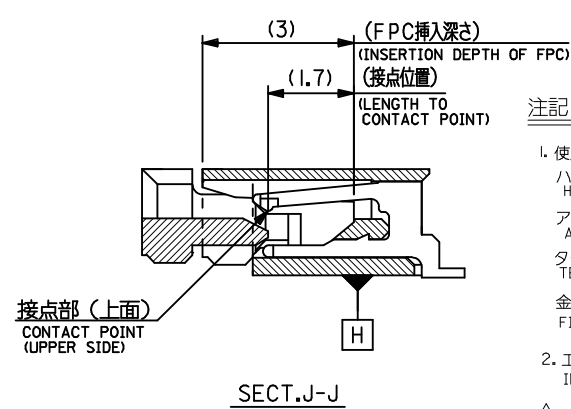
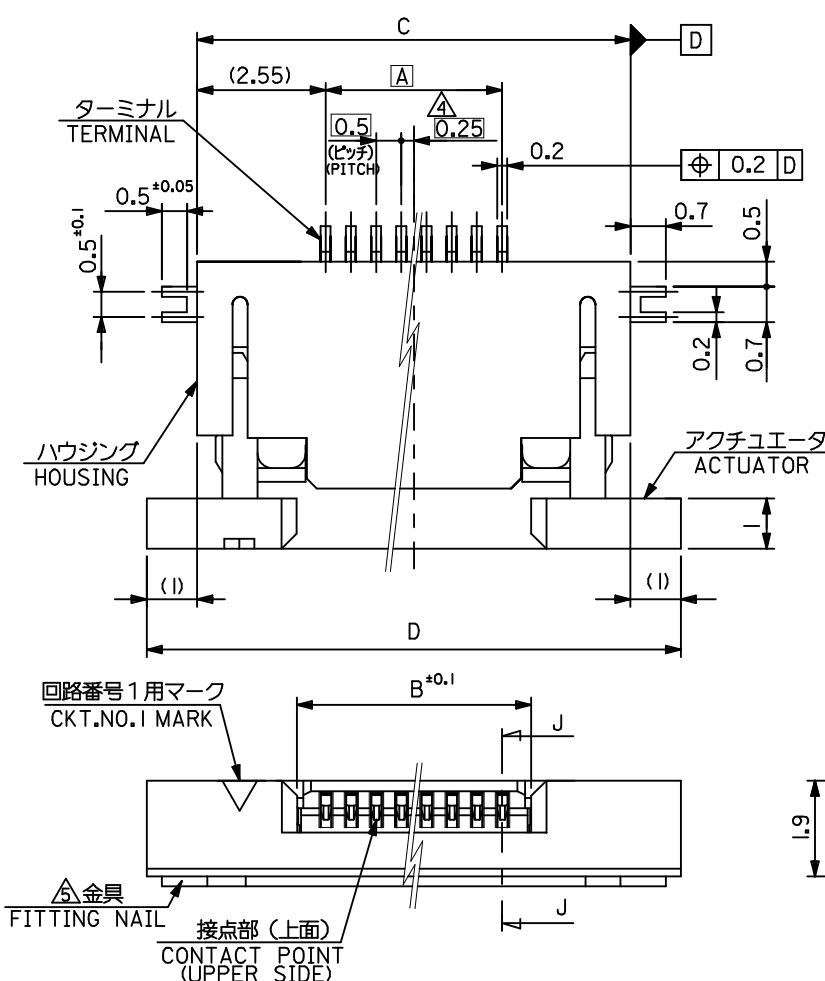




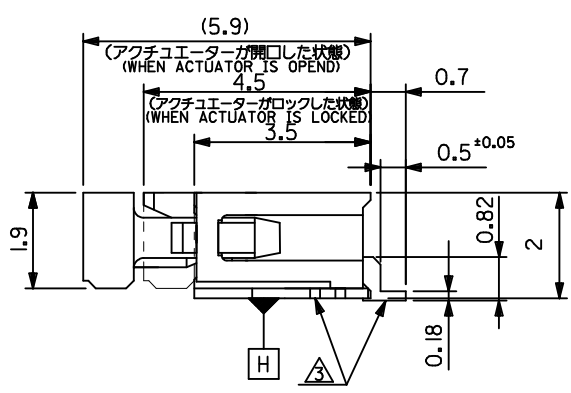
THE DATASHEET OF
52435-3091





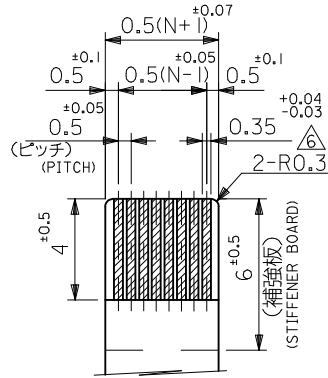
注記 NOTES

- 使用材料 : MATERIAL
 ハウジング : 46ナイロン, UL94V-0
 HOUSING : 46NYLON
 アクチュエータ : PPS, UL94V-0
 ACTUATOR
 ターミナル : リン青銅, 半田メッキ (t=0.2)
 TERMINAL : PHOS-BRO.TIN-LEAD
 金具 : リン青銅, 半田メッキ (t=0.2)
 FITTING NAIL : PHOS-BRO.TIN-LEAD
- エンボステープ梱包時は、アクチュエータがロックした状態とする。
 IN THE PACKAGE, ACTUATOR OF PART NO.52435-**27 SHOULD BE LOCKED.
- △ソルダーテール半田付け面のスレ量、及び金具半田付け面のスレ量は、基準面 H に対し上方向 0.1 MAX. , 下方向 0.15MAX. とする。
 MISALIGNMENT OF SOLDER TAILS AND FITTING NAILS FROM H
 UPPER DIRECTION: 0.1 MAX. , LOWER DIRECTION: 0.15MAX.
- △偶数極に適用。
 APPLY FOR EVEN CIRCUIT.
- △パターンはくり止め用金具。
 FITTING NAIL FOR PREVENTION OF PEELING OF P.C.B. PATTERN.
- △R.O. 3は、FPCの導体部にかからないこと。
 R.O.3 MUST NOT BE OVERLAPPED TO PATTERN OF FPC.
- ソルダーテールの平坦度は、0.1 MAXIMUM とする。
 SOLDER TAIL COPLANARITY IS 0.1 MAXIMUM.

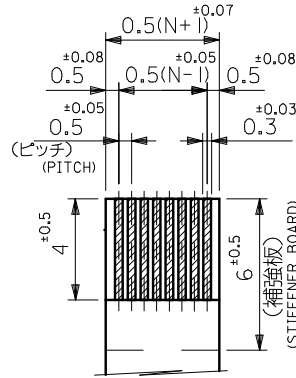


MODEL NO. 52435-**27

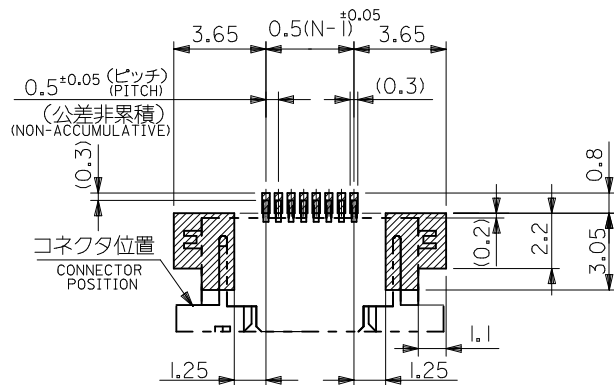
REVISED EC NO: J2014-0101 DRWN: TMORISHITA 2013/08/05 CHKD: KTAHASHI 2013/08/05 APPR: YNOGAWA 2013/09/09	GENERAL TOLERANCES (UNLESS SPECIFIED)		DIMENSION STYLE MM ONLY	SCALE ---	DESIGN UNITS METRIC	THIRD ANGLE PROJECTION
	10 UNDER	±0.2	DRAWN BY SKAJINUMA	DATE 91/10/31	TITLE 0.5 FPC CONN ZIF FOR SMT R/A (UPPER CONTACT)	
	10 OVER 30 UNDER	±0.25	CHECKED BY MFUKUSHIMA	DATE 97/07/15		
	30 OVER	±0.3	APPROVED BY MFUKUSHIMA	DATE 97/07/15		
	ANGULAR	±3 °	MATERIAL NO.	DOCUMENT NO.		
DRAFT WHERE APPLICABLE MUST REMAIN WITHIN DIMENSIONS		SEE SHEET 2	SD-52435-018	SHEET NO. 1 OF 2		
J	REV	THIS DRAWING CONTAINS INFORMATION THAT IS PROPRIETARY TO MOLEX INCORPORATED AND SHOULD NOT BE USED WITHOUT WRITTEN PERMISSION				



適合FPC推奨寸法
APPLICABLE FPC
RECOMMENDED DIMENSION.
(仕上がり厚さ: 0.3^{+0.05})
(THICKNESS: 0.3^{+0.05})



適合FFC推奨寸法
APPLICABLE FFC
RECOMMENDED DIMENSION.
(仕上がり厚さ: 0.3^{+0.05})
(THICKNESS: 0.3^{+0.05})



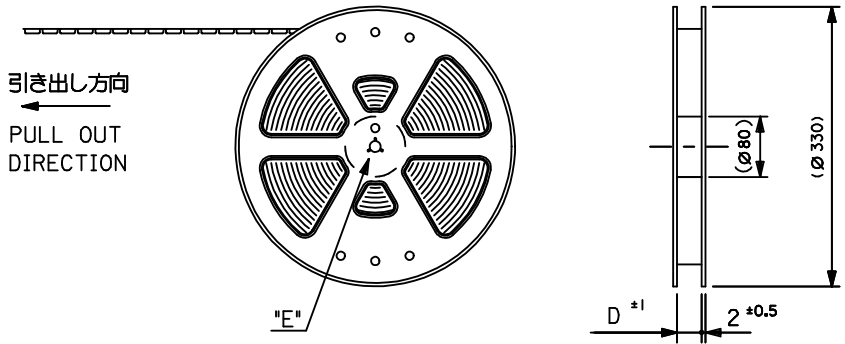
参考基板レイアウト
(マウント面)
RECOMMENDED P.C.BOARD
PATTERN DIMENSION (REF.)
(MOUNTING SIDE)

21.6	19.6	15.65	14.5	52435-3027	30
21.1	19.1	15.15	14.0	-2927	29
20.6	18.6	14.65	13.5	-2827	28
20.1	18.1	14.15	13.0	-2727	27
19.6	17.6	13.65	12.5	-2627	26
18.6	16.6	12.65	11.5	-2427	24
18.1	16.1	12.15	11.0	-2327	23
17.6	15.6	11.65	10.5	-2227	22
16.6	14.6	10.65	9.5	-2027	20
16.1	14.1	10.15	9.0	-1927	19
15.6	13.6	9.65	8.5	-1827	18
15.1	13.1	9.15	8.0	-1727	17
14.6	12.6	8.65	7.5	-1627	16
14.1	12.1	8.15	7.0	-1527	15
13.6	11.6	7.65	6.5	-1427	14
13.1	11.1	7.15	6.0	-1327	13
12.6	10.6	6.65	5.5	-1227	12
12.1	10.1	6.15	5.0	-1127	11
11.6	9.6	5.65	4.5	-1027	10
11.1	9.1	5.15	4.0	-0927	9
10.6	8.6	4.65	3.5	-0827	8
10.1	8.1	4.15	3.0	-0727	7
9.6	7.6	3.65	2.5	52435-0627	6

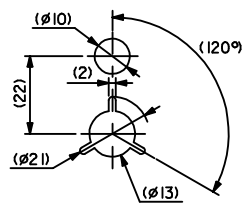
MODEL NO. 52435-***27 D C B (A) MATERIAL NO. 極数

REVISED EC NO: J2014-0101 DRWN: TMORISHITA 2013/08/05 CHKD: KAKAHASHI 2013/08/05 APPR: YNOGAWA 2013/09/09	GENERAL TOLERANCES (UNLESS SPECIFIED)		DIMENSION STYLE MM ONLY	SCALE ---	DESIGN UNITS METRIC	THIRD ANGLE PROJECTION
	10 UNDER	±0.2	DRAWN BY SKAJINUMA	DATE 91/10/31	TITLE 0.5 FPC CONN ZIF FOR SMT R/A (UPPER CONTACT)	
	10 OVER 30 UNDER	±0.25	CHECKED BY MFUKUSHIMA	DATE 97/07/15		
	30 OVER	±0.3	APPROVED BY MFUKUSHIMA	DATE 97/07/15		
ANGULAR ±3 °		MATERIAL NO.	DOCUMENT NO.			
DRAFT WHERE APPLICABLE MUST REMAIN WITHIN DIMENSIONS		SIZE A3	SEE CHART		SD-52435-018	SHEET NO. 2 OF 2





引き出し方向
PULL OUT
DIRECTION



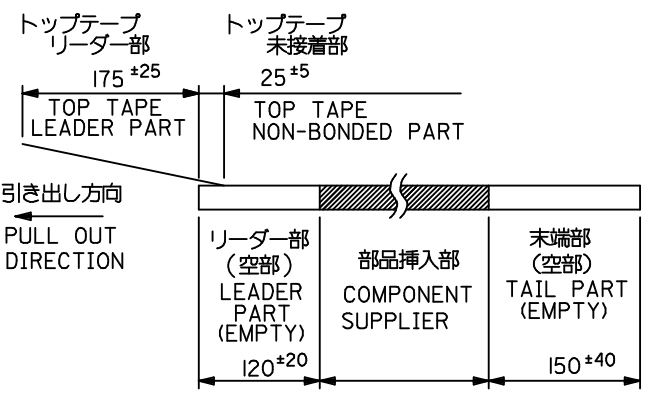
DETAIL "E"

5. 材料 (MATERIAL)

キャリアテープ (CARRIER TAPE): ポリプロピレン (POLYPROPYLENE)
 トップテープ (TOPTAPE): PET, PE, PEF
 リール (REEL): ポリスチレン (PS) <リサイクル材を含む>
 POLYSTYREN (PS) <RECYCLE MATERIAL CONTAINED>

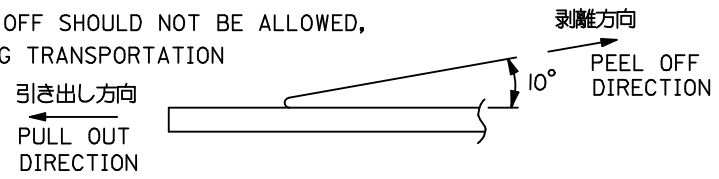
注記 NOTES

- 製品番号 52435-***27 の梱包状態はアクチュエータがロックした状態とする。
 詳細寸法については図面 SD-52435-018 を参照下さい。
 IN THE PACKAGE, ACTUATOR OF PART NO. 52435-***27 SHOULD BE LOCKED RE DETAILED DIMENSIONS, SEE SD-52435-018
- 梱包数量: 1000個/リール
 NUMBER OF CONNECTORS: 1000PCS/REEL
- リードテープ長さ LEAD TAPE LENGTH

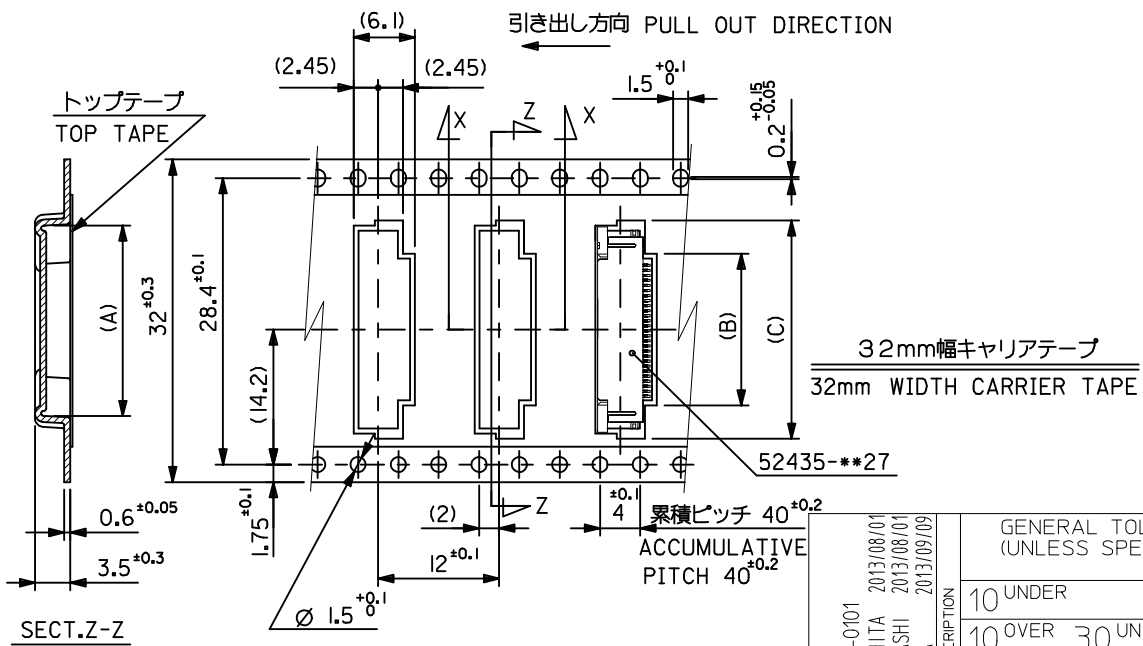
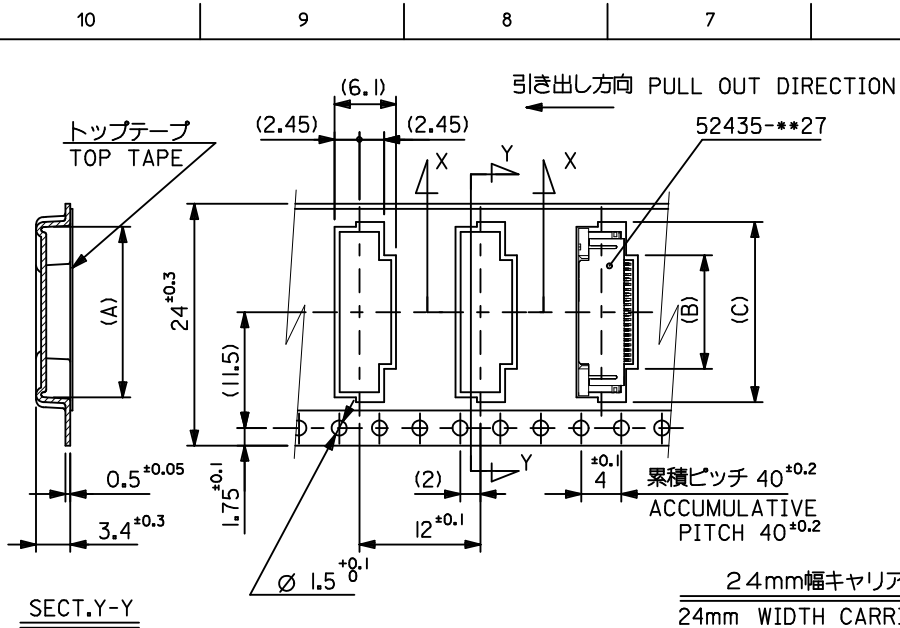


引き出し方向
PULL OUT
DIRECTION

- トップテープの剥離強度: (剥離方向は下図参照)
 0.1N ~ 0.7N (10.2gf ~ 71.4gf) 尚、本規格値は、出荷時に適用。
 (但し、輸送時に剥離が発生しない事。)
 PEELING OFF FORCE OF TOP TAPE
 0.1N ~ 0.7N (10.2gf ~ 71.4gf) (PEELING DIRECTION AS SHOWN IN FOLLOWING FIG.)
 THIS REQUIREMENT SHOULD BE APPLIED AT SHIPMENT
 PEEL OFF SHOULD NOT BE ALLOWED,
 DURING TRANSPORTATION



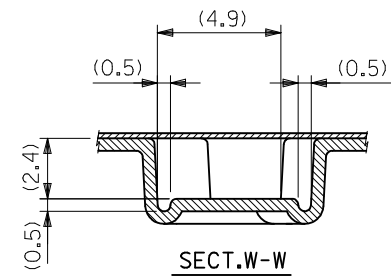
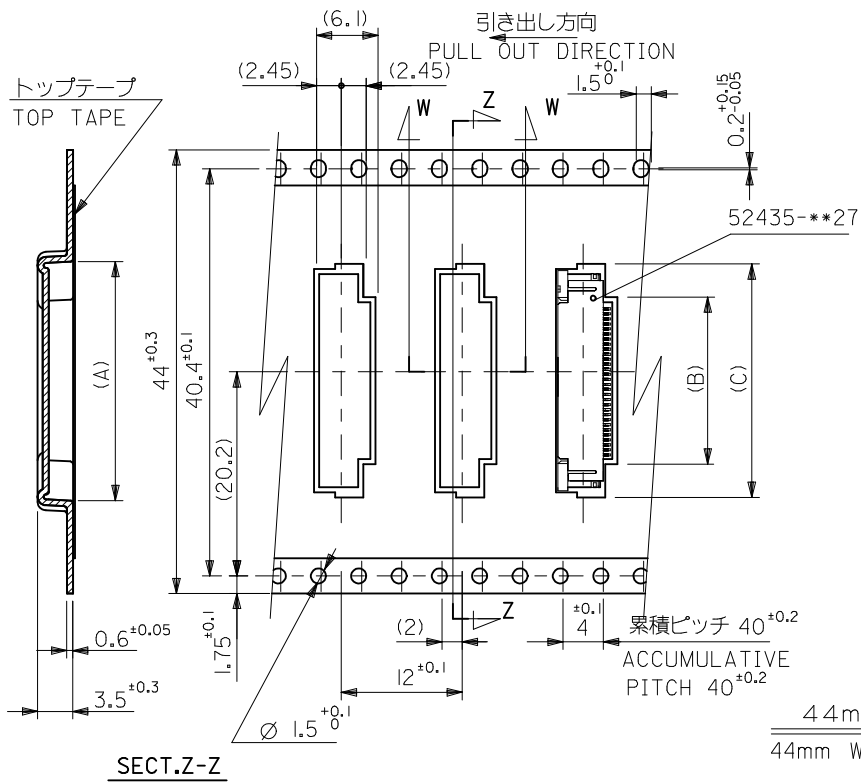
RELEASED EC NO: J2014-0101 DRWN: TMORISHITA 2013/08/01 CHKD: KTAKAHASHI 2013/08/01 APPR: YNOGAWA 2013/09/09	DESCRIPTION REV 0	GENERAL TOLERANCES (UNLESS SPECIFIED)		DIMENSION STYLE MM ONLY		SCALE ---	DESIGN UNITS METRIC	THIRD ANGLE PROJECTION		
		10 UNDER	± ---	DRAWN BY TMORISHITA	DATE 2013/08/01	TITLE EMBOSSED TAPE PACKAGE FOR 52435-***27 SHEET 1 OF 3				
		10 OVER 30 UNDER	± ---	CHECKED BY KTAKAHASHI	DATE 2013/08/01					
		30 OVER	± ---	APPROVED BY YNOGAWA	DATE 2013/09/09					
ANGULAR ± --- °		DRAFT WHERE APPLICABLE MUST REMAIN WITHIN DIMENSIONS		MATERIAL NO. SEE SHEET 2,3		DOCUMENT NO. SD-52435-024		SHEET NO. 1 OF 3		
SIZE A3 THIS DRAWING CONTAINS INFORMATION THAT IS PROPRIETARY TO MOLEX INCORPORATED AND SHOULD NOT BE USED WITHOUT WRITTEN PERMISSION										



32	33.5	22.4	15.8	21.4	52435-2991	29
		21.9	15.3	20.9	-2891	28
		21.4	14.8	20.4	-2791	27
		20.9	14.3	19.9	-2691	26
		19.9	13.3	18.9	-2491	24
		19.4	12.8	18.4	-2391	23
		18.9	12.3	17.9	-2291	22
		17.9	11.3	16.9	-2091	20
		17.4	10.8	16.4	-1991	19
		16.9	10.3	15.9	-1891	18
24	25.5	16.4	9.8	15.4	-1791	17
		15.9	9.3	14.9	-1691	16
		15.4	8.8	14.4	-1591	15
		14.9	8.3	13.9	-1491	14
		14.4	7.8	13.4	-1391	13
		13.9	7.3	12.9	-1291	12
		13.4	6.8	12.4	-1191	11
		12.9	6.3	11.9	-1091	10
		12.4	5.8	11.4	-0991	9
		11.9	5.3	10.9	-0891	8
キャリアテープ幅 CARRIER TAPE WIDTH	D	(C)	(B)	(A)	52435-0691	6
		ENG. NO.				極数 CIRCUIT

RELEASED	EC NO: J2014-0101	DRWN: TMORISHITA 2013/08/01	CHKD: KTAKAHASHI 2013/08/01	APPR: YNOGAWA 2013/09/09
REV	0	DESCRIPTION		
GENERAL TOLERANCES (UNLESS SPECIFIED)				
10	UNDER	±	---	
10	OVER 30	UNDER	±	---
30	OVER	±	---	
ANGULAR ±--- °				
DRAFT WHERE APPLICABLE MUST REMAIN WITHIN DIMENSIONS				

DIMENSION STYLE		SCALE	DESIGN UNITS	THIRD ANGLE PROJECTION	
MM ONLY		---	METRIC		
DRAWN BY	DATE	TITLE			
TMORISHITA	2013/08/01	EMBOSSED TAPE PACKAGE FOR 52435-**-27			
CHECKED BY	DATE	SHEET 2 OF 3			
KTAKAHASHI	2013/08/01				
APPROVED BY	DATE	MATERIAL NO.		DOCUMENT NO.	SHEET NO.
YNOGAWA	2013/09/09	SEE CHART		SD-52435-024	2 OF 3
THIS DRAWING CONTAINS INFORMATION THAT IS PROPRIETARY TO MOLEX INCORPORATED AND SHOULD NOT BE USED WITHOUT WRITTEN PERMISSION					



44mm幅キャリアテープ
44mm WIDTH CARRIER TAPE

44	45.5	22.9	16.3	21.9	52435-3091	30
キャリアテープ幅 CARRIER TAPE WIDTH	D	(C)	(B)	(A)	ENG. NO.	極数 CIRCUIT

RELEASED EC NO: J2014-0101 DRWN: TMORISHITA 2013/08/01 CHKD: KTAKAHASHI 2013/08/01 APPR: YNOGAWA 2013/09/09	GENERAL TOLERANCES (UNLESS SPECIFIED)	
	10 UNDER	± ---
	10 OVER 30 UNDER	± ---
	30 OVER	± ---
	ANGULAR	± --- °
	DRAFT WHERE APPLICABLE MUST REMAIN WITHIN DIMENSIONS	

DIMENSION STYLE MM ONLY		SCALE ---	DESIGN UNITS METRIC	THIRD ANGLE PROJECTION
DRAWN BY TMORISHITA	DATE 2013/08/01	TITLE EMBOSSED TAPE PACKAGE FOR 52435-**27 (SHEET 3 OF 3)		
CHECKED BY KTAKAHASHI	DATE 2013/08/01	molex DOCUMENT NO. SD-52435-024 SHEET NO. 3 OF 3		
APPROVED BY YNOGAWA	DATE 2013/09/09			
MATERIAL NO. SEE CHART	THIS DRAWING CONTAINS INFORMATION THAT IS PROPRIETARY TO MOLEX INCORPORATED AND SHOULD NOT BE USED WITHOUT WRITTEN PERMISSION			

Looking for pricing, stock, or lifecycle information?

Click below to explore more details on WIN SOURCE:

 [View 52435-3091 on WIN SOURCE](#)

 [Molex, LLC Information](#)

Optimize Your Supply Chain with WIN SOURCE Solutions

-  Global Sourcing Solution
-  Obsolete Management
-  Cost Control Management
-  Shortage Management
-  Alternative Solution
-  Excess Inventory Management