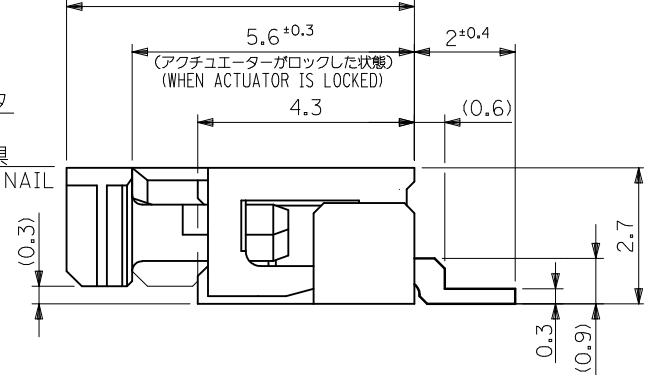
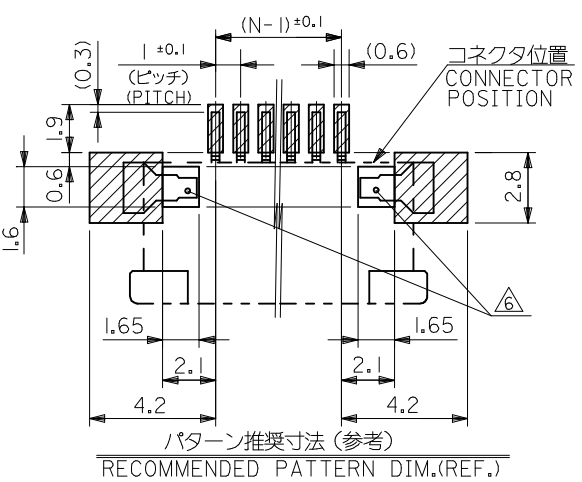
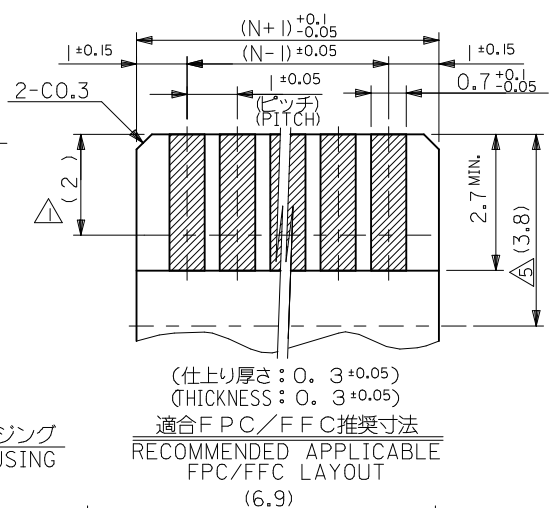
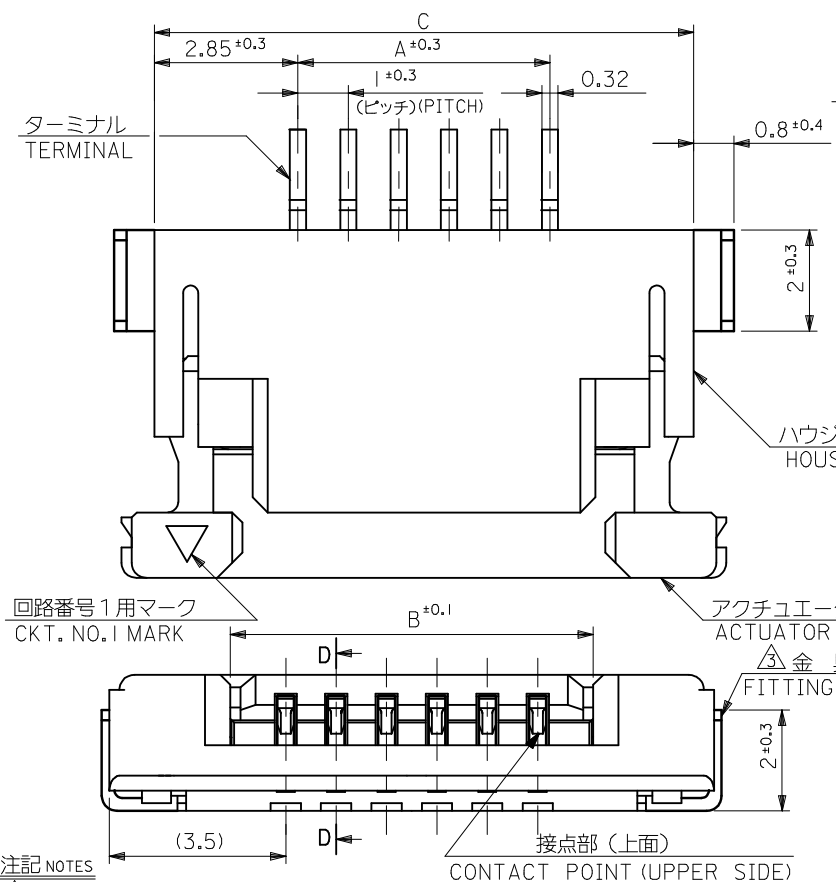




THE DATASHEET OF
52207-0690





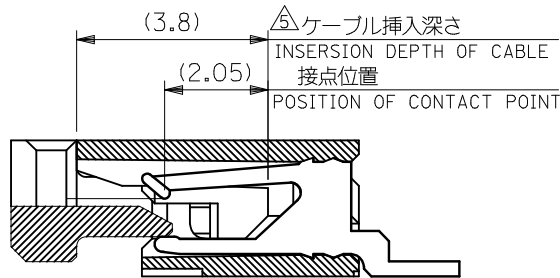
注記 NOTES

- △ 接点部までの嵌合長さ。
LENGTH TO CONTACT POINT.
2. 使用材料 MATERIAL
ハウジング : 46ナイロン(耐熱性), UL94V-0
HOUSING : 46NYLON, UL94V-0
アクチュエータ : PPS, UL94V-0
ACTUATOR : PPS, UL94V-0
ターミナル : リン青銅, 半田メッキ (t=0.32)
TERMINAL : PHOS-BRO., TIN-LEAD PLATED (t=0.32)
金具 : 銅合金, 半田メッキ (t=0.25)
FITTING NAIL : COPPER ALLOY, TIN-LEAD PLATED (t=0.25)
- △ パターンはくり止め用金具
FITTING NAIL FOR PREVENTION OF PEELING OF P.C.B.PATTERN.
4. エンボステープ梱包時は、アクチュエータがロックした状態とする。
IN THE PACKAGE, ACTUATOR OF PART NO. 52207-**17 SHOULD BE LOCKED.
- △ ケーブル挿入深さ
INSERTION DEPTH OF CABLE.
- △ パターン書き込み禁止エリア。
NO FOOT PRINT AREA.

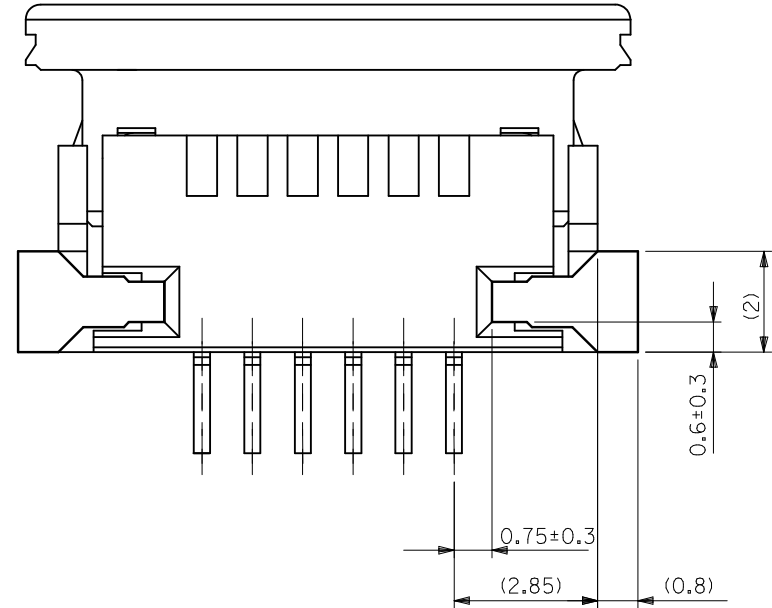
34.7	31.2	29	52207-3090	30
32.7	29.2	27	-2890	28
29.7	26.2	24	-2590	25
28.7	25.2	23	-2490	24
26.7	23.2	21	-2290	22
21.7	18.2	16	-1790	17
19.7	16.2	14	-1590	15
18.7	15.2	13	-1490	14
15.7	12.2	10	-1190	11
14.7	11.2	9	-1090	10
13.7	10.2	8	-0990	9
12.7	9.2	7	-0890	8
11.7	8.2	6	52207-0790	7
C	B	A	EMBOSSED TAPE ORDER NO.	極数 CKT.

CONNECTOR SERIES NO.:52207-**17

REVISED EC NO: J2016-0429 DRWN: SANUMA 2015/10/26 CHKD: TAKAHASHI 2015/10/29 APPR: YNOGAWA 2015/11/13	GENERAL TOLERANCES (UNLESS SPECIFIED)		DIMENSION STYLE MM ONLY		SCALE ---	DESIGN UNITS METRIC	THIRD ANGLE PROJECTION
	0.25 UNDER	UNDER	±0.03	DRAWN BY MTAKAHASHI04	DATE 2013/07/24	TITLE 1.0 FPC CONN. ZIF SMT (SHEET 1 OF 2)	
	0.25 OVER	0.5 UNDER	±0.05	CHECKED BY KTAKAHASHI	DATE 2013/07/24	MATERIAL NO. SD-52207-071	
	0.5 OVER	1.0 UNDER	±0.1	APPROVED BY YNOGAWA	DATE 2013/10/07		
1.0 OVER	10 UNDER	±0.2	SEE CHART		DOCUMENT NO.		
10 OVER	30 UNDER	±0.25	SIZE A3		THIS DRAWING CONTAINS INFORMATION THAT IS PROPRIETARY TO MOLEX INCORPORATED AND SHOULD NOT BE USED WITHOUT WRITTEN PERMISSION		
30 OVER		±0.3	DRAFT WHERE APPLICABLE MUST REMAIN WITHIN DIMENSIONS				

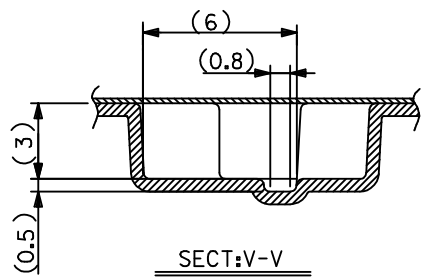
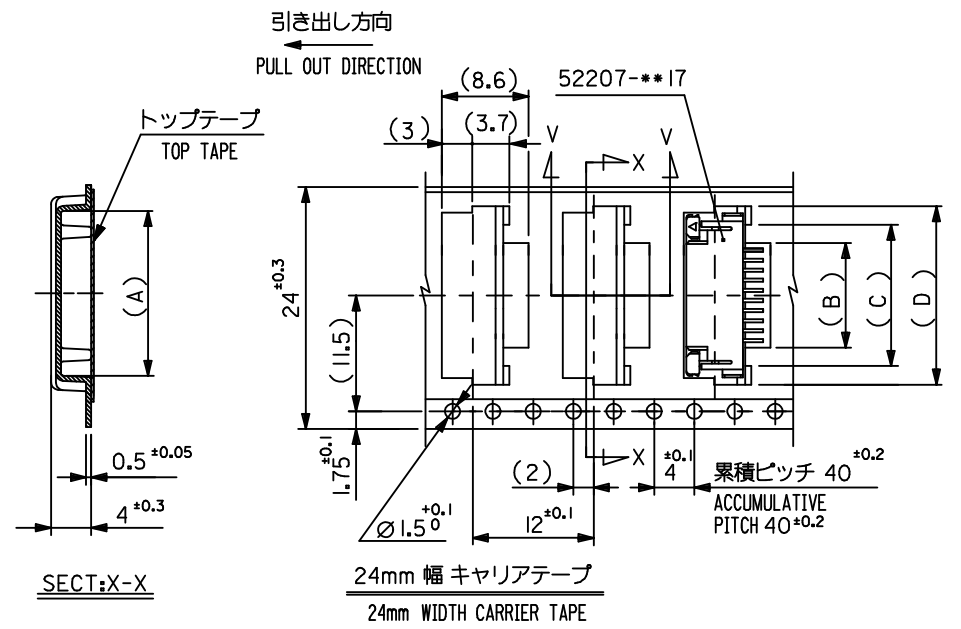


断面D-D
SECT.D-D



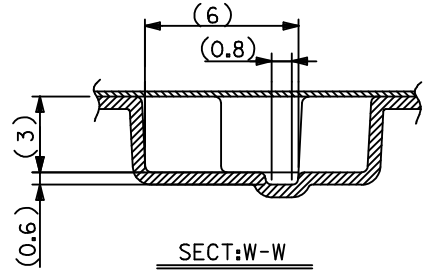
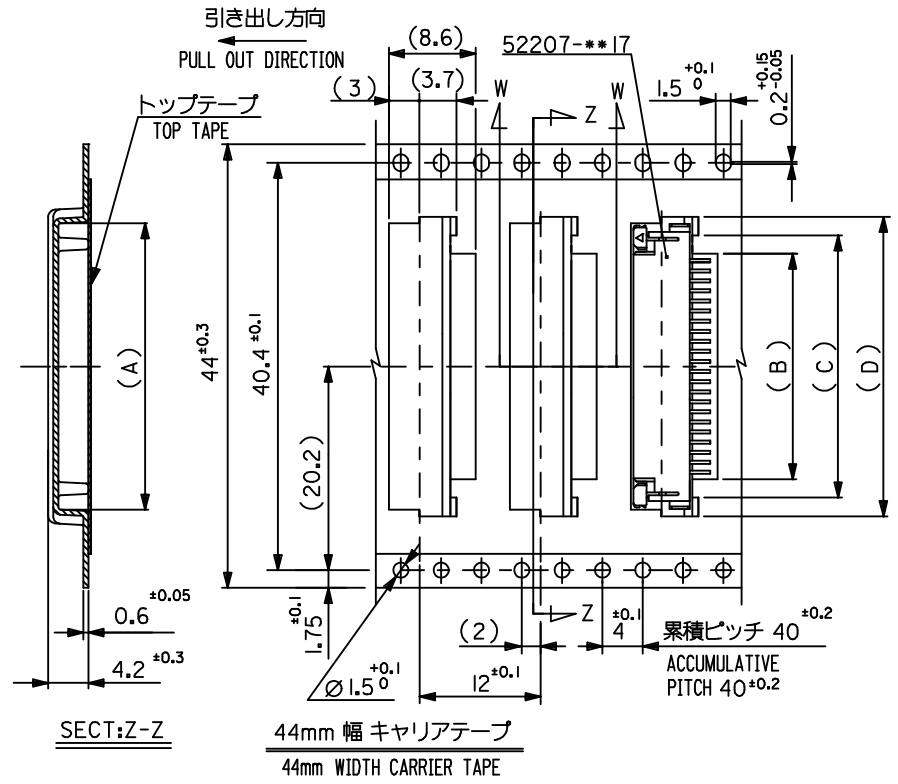
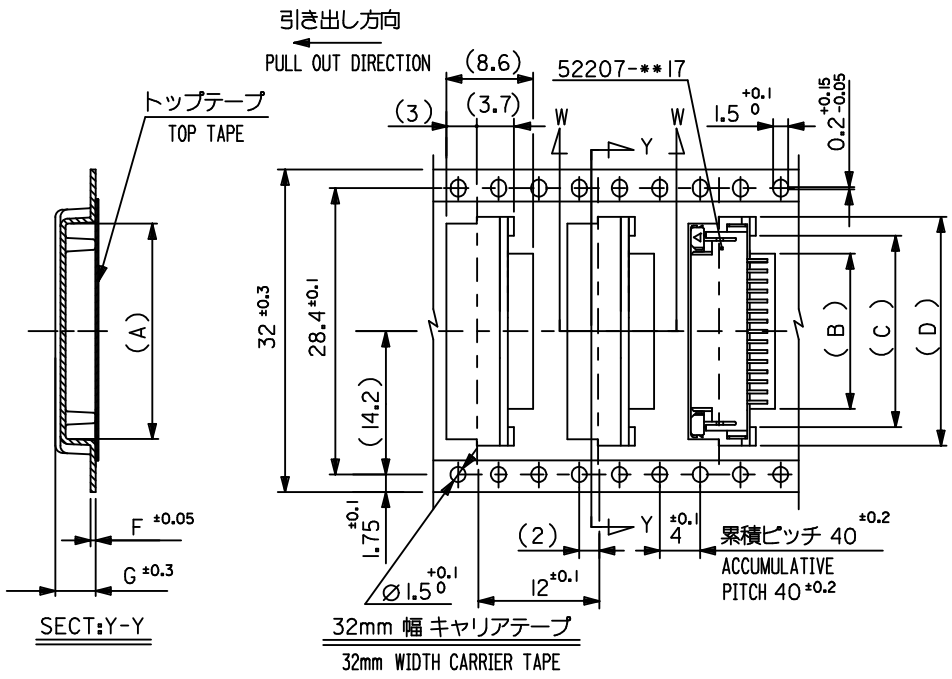
下面図
BOTTOM VIEW

REVISED EC NO: J2016-0429 DRWN: SANUMA 2015/10/26 CHKD: TAKAHASHI 2015/10/29 APPR: YNOGAWA 2015/11/13	GENERAL TOLERANCES (UNLESS SPECIFIED)			DIMENSION STYLE MM ONLY		SCALE ---	DESIGN UNITS METRIC	THIRD ANGLE PROJECTION	
	0.25 UNDER	UNDER	±0.03	DRAWN BY	DATE	TITLE			
	0.25 OVER	0.5 UNDER	±0.05	MTAKAHASHI04	2013/07/24	1.0 FPC CONN ZIF SMT SHEET 2 OF 2			
	0.5 OVER	1.0 UNDER	±0.1	CHECKED BY	DATE				
	1.0 OVER	10 UNDER	±0.2	KTAKAHASHI	2013/07/24				
10 OVER	30 UNDER	±0.25	APPROVED BY	DATE					
30 OVER		±0.3	YNOGAWA	2013/10/07					
ANGULAR	±3 °		MATERIAL NO.	SEE SHEET 1 OF 2		DOCUMENT NO.		SHEET NO.	
DRAFT WHERE APPLICABLE MUST REMAIN WITHIN DIMENSIONS			SIZE A3	THIS DRAWING CONTAINS INFORMATION THAT IS PROPRIETARY TO MOLEX INCORPORATED AND SHOULD NOT BE USED WITHOUT WRITTEN PERMISSION					



24	25.5	18.5	15	11.7	17.3	52207-1190	11
		17.5	14	10.7	16.3	52207-1090	10
		16.5	13	9.7	15.3	52207-0990	9
		15.5	12	8.7	14.3	52207-0890	8
		14.5	11	7.7	13.3	52207-0790	7
キャリアテープ幅 CARRIER TAPE WIDTH	E	(D)	(C)	(B)	(A)	EMBOSSED PACKAGE ORDER NO.	極致 CKT.

REVISED EC NO: J2016-0429 DRWN: SANUMA 2015/10/26 CHKD: TAKAHASHI 2015/10/29 APPR: YNOGAWA 2015/11/13	GENERAL TOLERANCES (UNLESS SPECIFIED)		DIMENSION STYLE MM ONLY		SCALE ---	DESIGN UNITS METRIC	THIRD ANGLE PROJECTION
	0.25 UNDER	UNDER	±0.03	DRAWN BY MTAKAHASHI	DATE 104 2013/07/24	TITLE EMBOSSED TAPE PACKAGE FOR 52207-***17 SHEET 1 OF 3	
	0.25 OVER	0.5 UNDER	±0.05	CHECKED BY KTAKAHASHI	DATE 2013/07/24		
	0.5 OVER	1.0 UNDER	±0.1	APPROVED BY YNOGAWA	DATE 2013/10/07		
	1.0 OVER	10 UNDER	±0.2	MATERIAL NO.		DOCUMENT NO.	SHEET NO.
10 OVER	30 UNDER	±0.25	SEE CHART		SD-52207-072	1 OF 3	
30 OVER		±0.3	THIS DRAWING CONTAINS INFORMATION THAT IS PROPRIETARY TO MOLEX INCORPORATED AND SHOULD NOT BE USED WITHOUT WRITTEN PERMISSION				
ANGULAR		±3 °					
DRAFT WHERE APPLICABLE MUST REMAIN WITHIN DIMENSIONS							



32	33.5	4.2	0.6	22.5	19	15.7	21.35	52207-1590	15
		4.2	0.6	21.5	18	14.7	20.35	52207-1490	14
キャリアテープ幅 CARRIER TAPE WIDTH	E	(G)	(F)	(D)	(C)	(B)	(A)	EMBOSSED PACKAGE ORDER NO.	極数 CKT.

44	45.5	32.5	29	25.7	31.35	52207-2590	25
		31.5	28	24.7	30.35	52207-2490	24
		29.5	26	22.7	28.35	52207-2290	22
		24.5	21	17.7	23.35	52207-1790	17
キャリアテープ幅 CARRIER TAPE WIDTH	E	(D)	(C)	(B)	(A)	EMBOSSED PACKAGE ORDER NO.	極数 CKT.

REVISED EC NO: J2016-0429 DRWN:NASANUMA 2015/10/26 CHKD:KAKAHASHI 2015/10/29 APPR:YNOGAWA 2015/11/13	GENERAL TOLERANCES (UNLESS SPECIFIED)		DIMENSION STYLE MM ONLY		SCALE ---		DESIGN UNITS METRIC		THIRD ANGLE PROJECTION	
	0.25 UNDER UNDER ±0.03		DRAWN BY DATE MTAKAHASHI 104 2013/07/24		TITLE EMBOSSED TAPE PACKAGE FOR 52207-**17 SHEET 2 OF 3				SHEET NO. 2 OF 3	
	0.25 OVER 0.5 UNDER ±0.05		CHECKED BY DATE KTAKAHASHI 2013/07/24		APPROVED BY DATE YNOGAWA 2013/10/07					
	0.5 OVER 1.0 UNDER ±0.1		10 OVER 10 UNDER ±0.2		MATERIAL NO.		DOCUMENT NO. SD-52207-072		SEE CHART	
10 OVER 30 UNDER ±0.25		30 OVER ±0.3		SIZE A3		THIS DRAWING CONTAINS INFORMATION THAT IS PROPRIETARY TO MOLEX INCORPORATED AND SHOULD NOT BE USED WITHOUT WRITTEN PERMISSION				
ANGULAR ±3 °		DRAFT WHERE APPLICABLE MUST REMAIN WITHIN DIMENSIONS								

Looking for pricing, stock, or lifecycle information?

Click below to explore more details on WIN SOURCE:

 [View 52207-0690 on WIN SOURCE](#)

 [Molex, LLC Information](#)

Optimize Your Supply Chain with WIN SOURCE Solutions

-  Global Sourcing Solution
-  Obsolete Management
-  Cost Control Management
-  Shortage Management
-  Alternative Solution
-  Excess Inventory Management