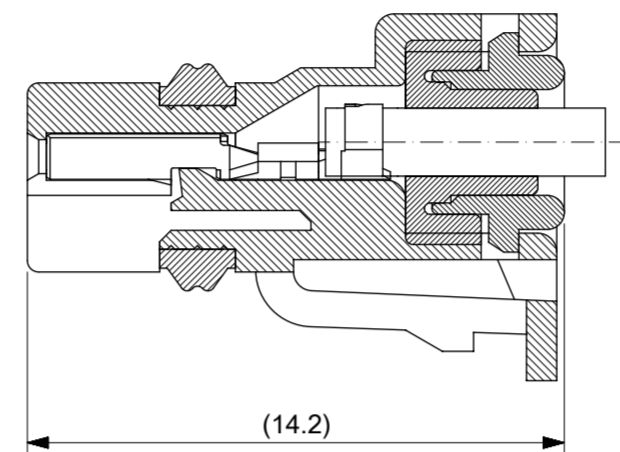
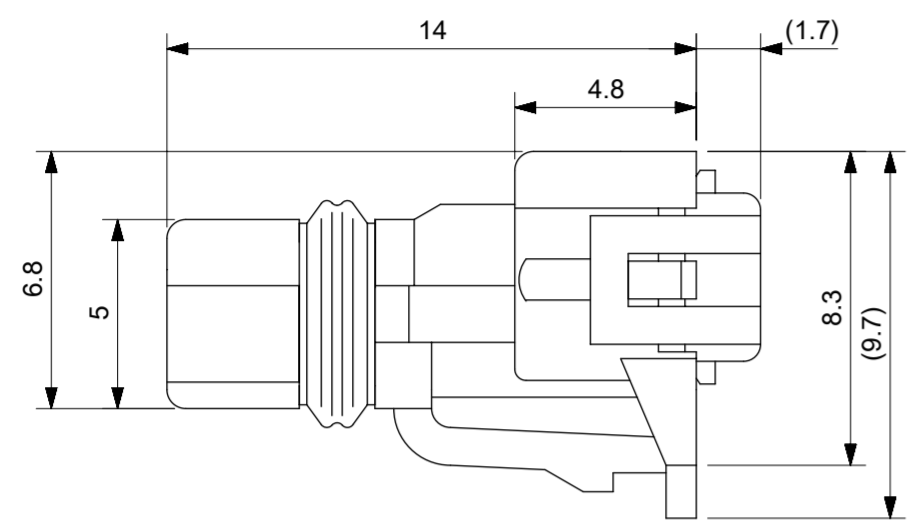


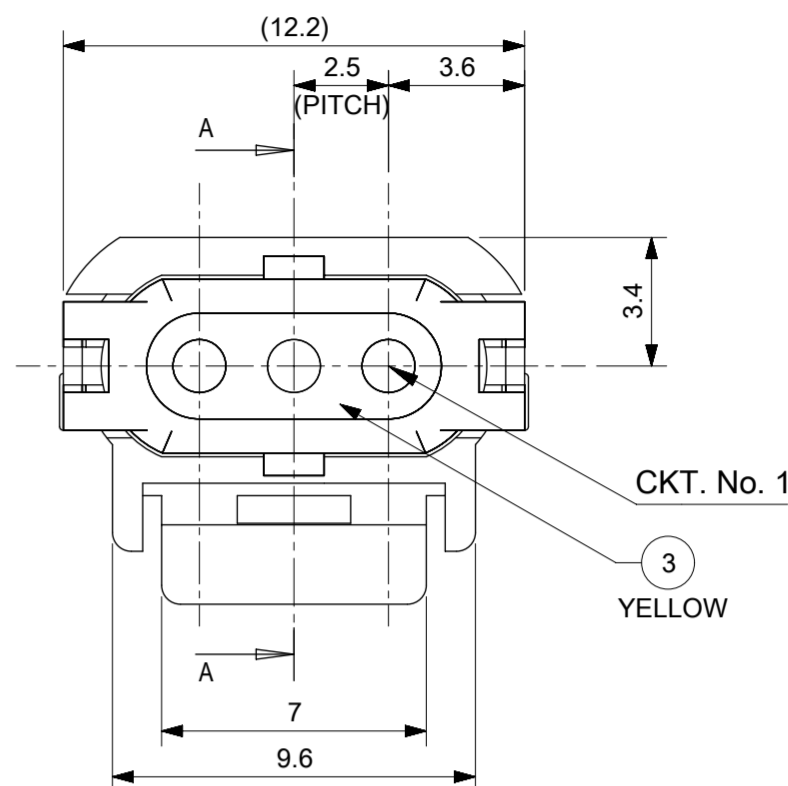


THE DATASHEET OF
52117-0340

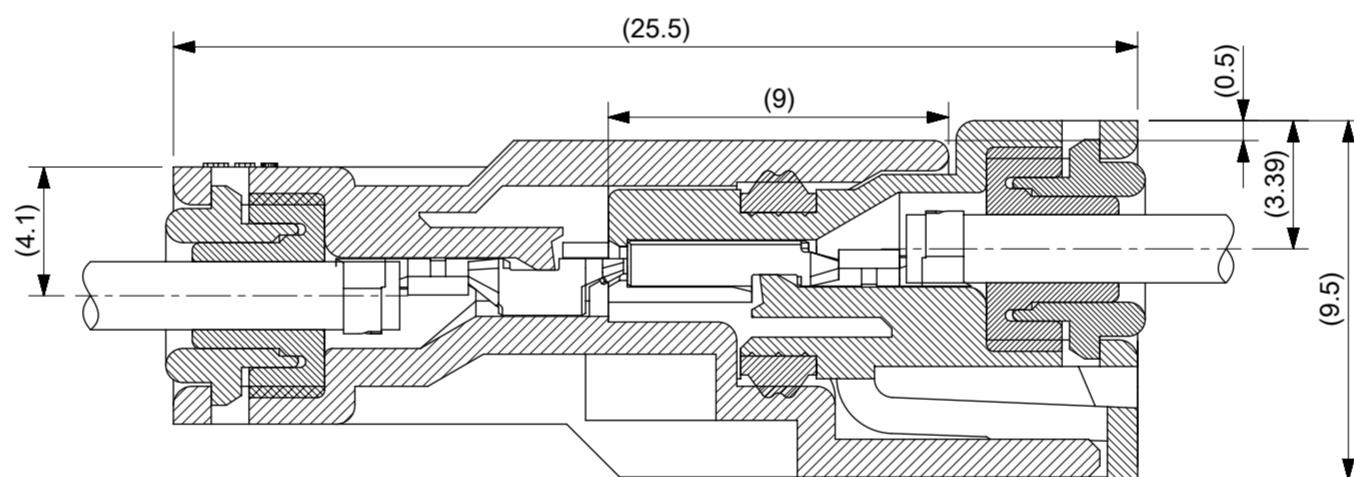
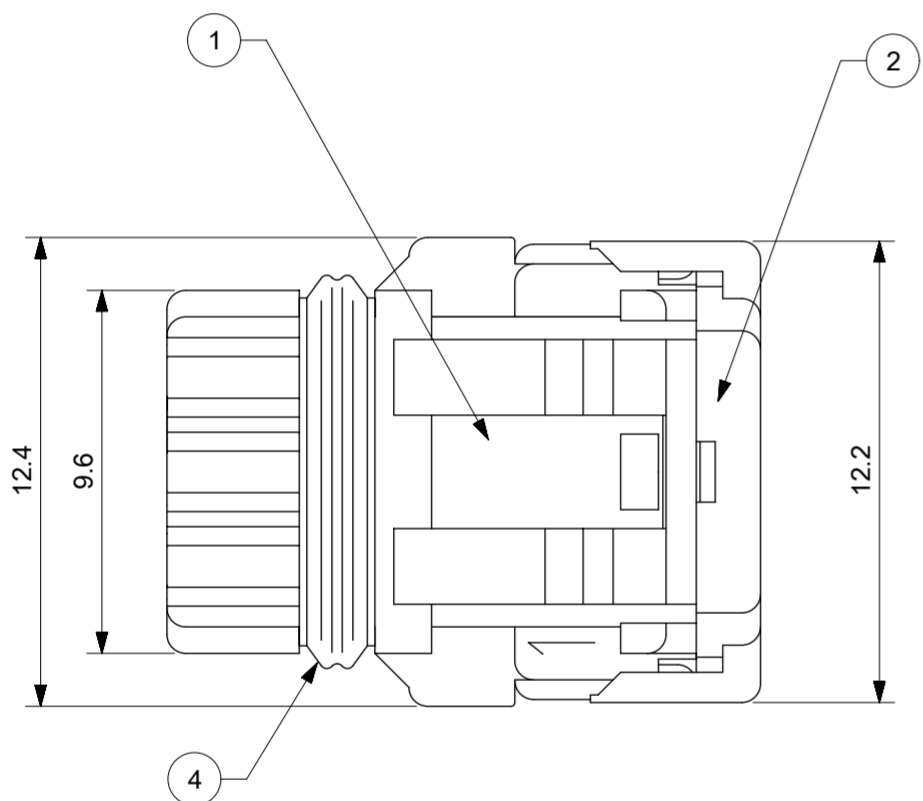




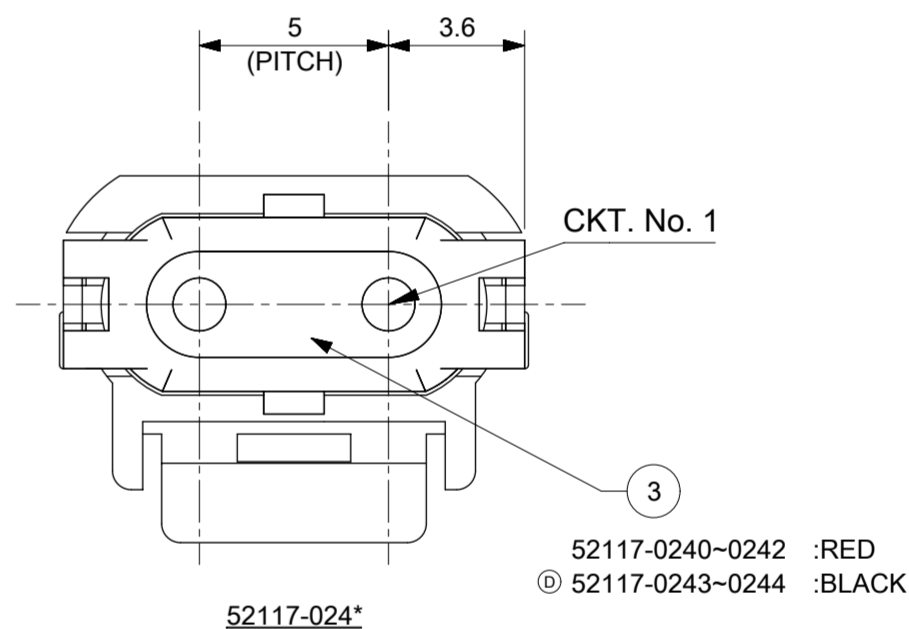
端子装着時の断面 A-A
SECTION A-A TERMINAL ASSEMBLY DRAWING



52117-034*



嵌合状態図
FULLY MATED CONDITION



52117-024*

- 注記
NOTE
- 適合端子 : 50039-8*00
APPLICABLE TERMINAL:50039-8*00
 - 嵌合相手 : 52116-0*4*
MATES WITH:52116-0*4*
 - 製品仕様書 : PS-52117-007
PRODUCT SPECIFICATION:PS-52117-007
 - 取扱説明書 : AS-52117-001
APPLICATION SPECIFICATION : AS-52117-001
 - ELV及びRoHS適合品
ELV AND RoHS COMPLIANT

| | | |
|---------|--------------|-----------|
| 赤 RED | 52117-0342 | 3 |
| 黒 BLACK | 52117-0341 | 3 |
| 白 WHITE | 52117-0340 | 3 |
| 黒 BLACK | ⑤ 52117-0244 | 2 |
| 白 WHITE | 52117-0243 | 2 |
| 赤 RED | 52117-0242 | 2 |
| 黒 BLACK | 52117-0241 | 2 |
| 白 WHITE | 52117-0240 | 2 |
| 色 COLOR | MATERIAL NO. | 極数 CKT |

| | | | |
|-------------------------------|--------------------|---------------|---|
| シリコンゴム SILICONE | 黄 YELLOW | RING SEAL | ④ |
| シリコンゴム SILICONE | 図参照 SEE DRAWING | WIRE END SEAL | ③ |
| ポリエステル (15%G.F.) POLYESTER | 表参照 SEE CHART | CAP | ② |
| ポリエステル (15%G.F.) POLYESTER | 表参照 SEE CHART | REC. HOUSING | ① |
| 材料 MATERIAL | 色 COLOR | 名称 TITLE | |
| 構成部品 COMPONENTS | | | |

| | | | | |
|-----------------|----|--------------|------------|----------|
| DOCUMENT STATUS | P1 | RELEASE DATE | 2018/11/28 | 07:54:17 |
|-----------------|----|--------------|------------|----------|

| | | | |
|---|------------|--|--------------|
| THIS DRAWING CONTAINS INFORMATION THAT IS PROPRIETARY TO MOLEX ELECTRONIC TECHNOLOGIES, LLC AND SHOULD NOT BE USED WITHOUT WRITTEN PERMISSION | | | |
| DIMENSION UNITS | SCALE | CURRENT REV DESC: | |
| mm | 5:1 | | |
| GENERAL TOLERANCES (UNLESS SPECIFIED) | | GENERAL TOLERANCES (UNLESS SPECIFIED) | |
| 10 UNDER | ±0.2 | ANGULAR TOL | ± 3.0° |
| 10 OVER 30 UNDER | ±0.25 | 4 PLACES | ± 0.2 |
| 30 OVER | ±0.3 | 3 PLACES | ± 0.25 |
| ANGULAR ±3° | | 2 PLACES | ± 0.3 |
| INITIAL REVISION: | | 1 PLACE | ± |
| DRWN Y.ASHIZAWA | 1988/07/08 | 0 PLACES | ± |
| CHECK M.SAKANO | 1988/07/08 | DRAFT WHERE APPLICABLE MUST REMAIN WITHIN DIMENSIONS | |
| APPR M.ENOMOTO | 1988/07/08 | THIRD ANGLE PROJECTION | DRAWING |
| | | A2-SIZE | SERIES |
| | | 52117 | |
| | | SEE CHART | CUSTOMER |
| | | GENERAL MARKET | SHEET NUMBER |
| | | 1 OF 1 | |

molex

2.5 WATERPROOF CONN.
REC. HSG ASSY W/POSITIVE LOCK

PRODUCT CUSTOMER DRAWING

DOCUMENT NUMBER: SD-52117-001 DOC TYPE: PSD DOC PART: 001 REVISION: D

Looking for pricing, stock, or lifecycle information?

Click below to explore more details on WIN SOURCE:

 [View 52117-0340 on WIN SOURCE](#)

 [Molex, LLC Information](#)

Optimize Your Supply Chain with WIN SOURCE Solutions

-  Global Sourcing Solution
-  Obsolete Management
-  Cost Control Management
-  Shortage Management
-  Alternative Solution
-  Excess Inventory Management