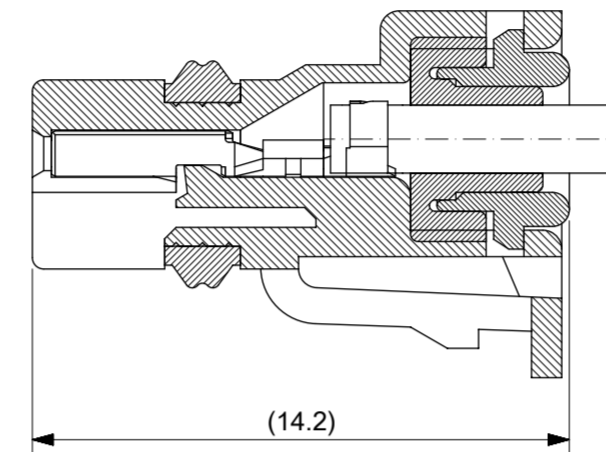
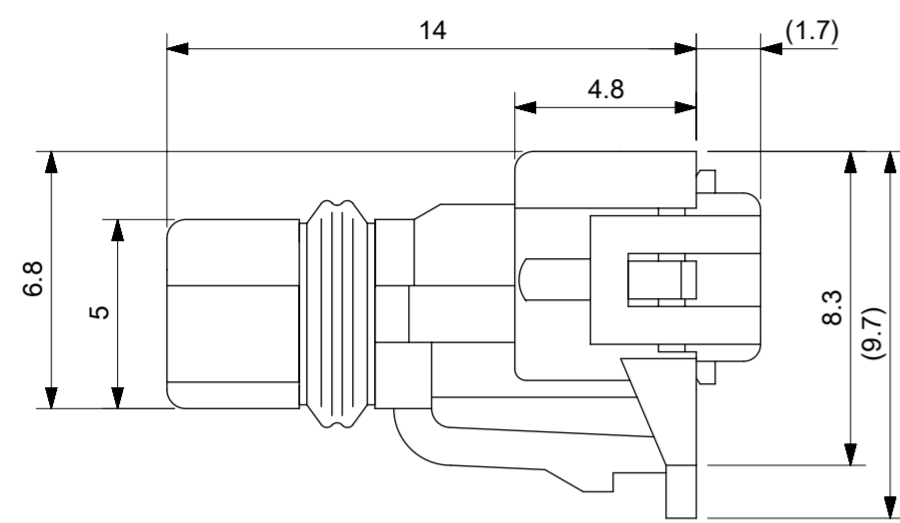


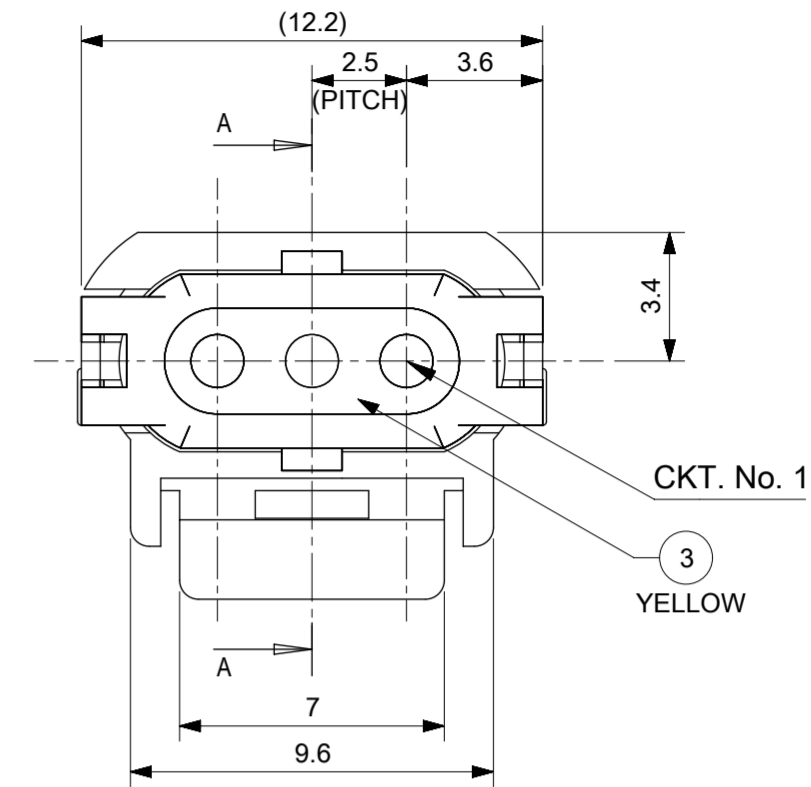


**THE DATASHEET OF**  
**52117-0243**

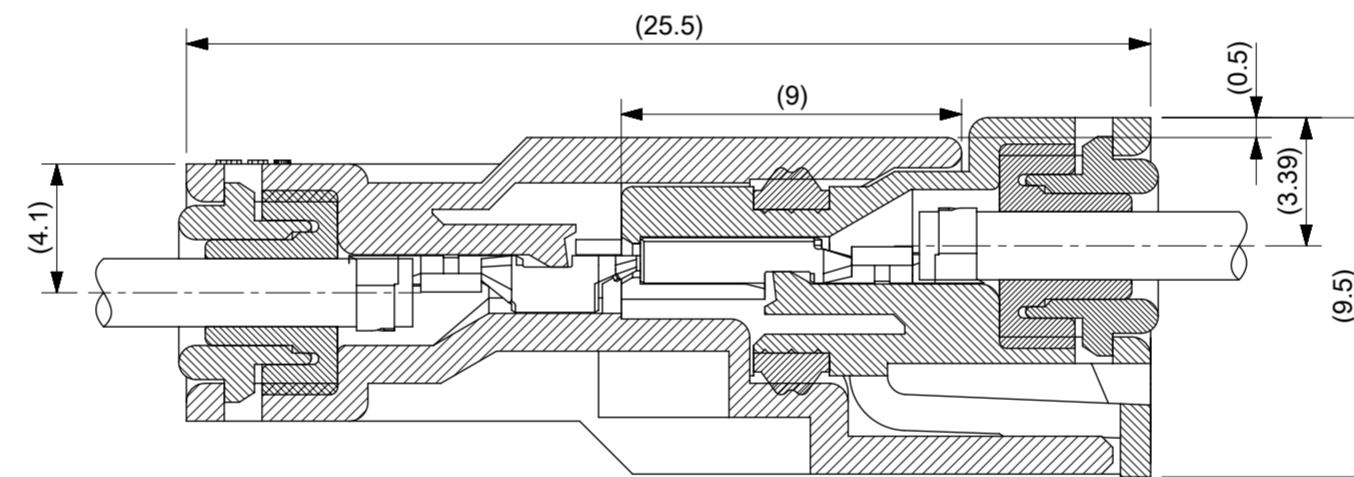
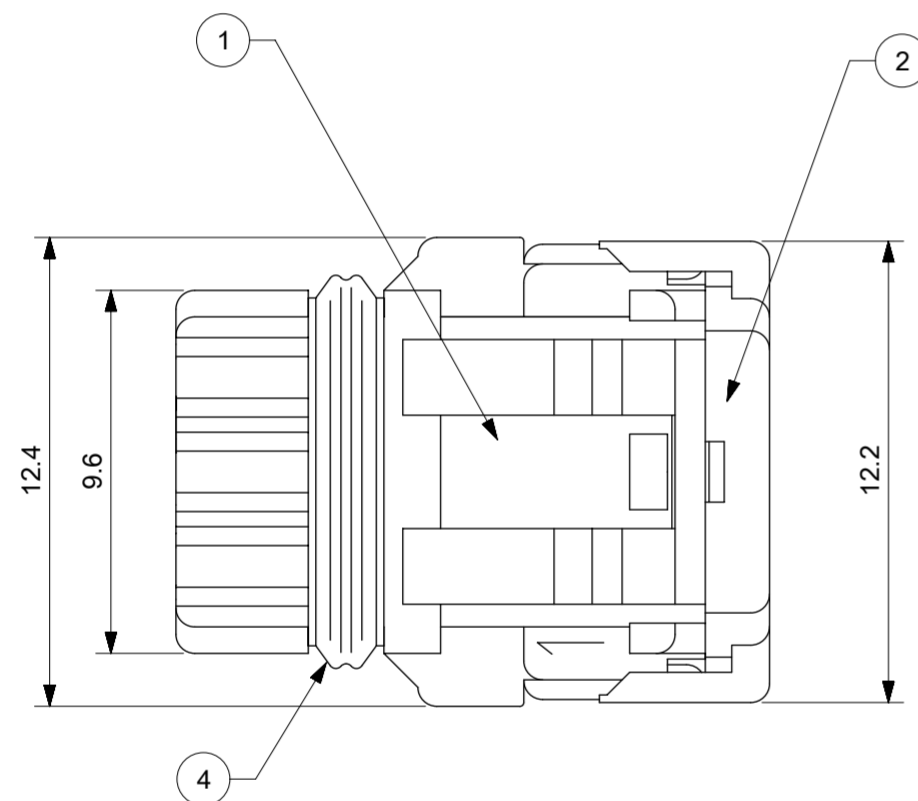




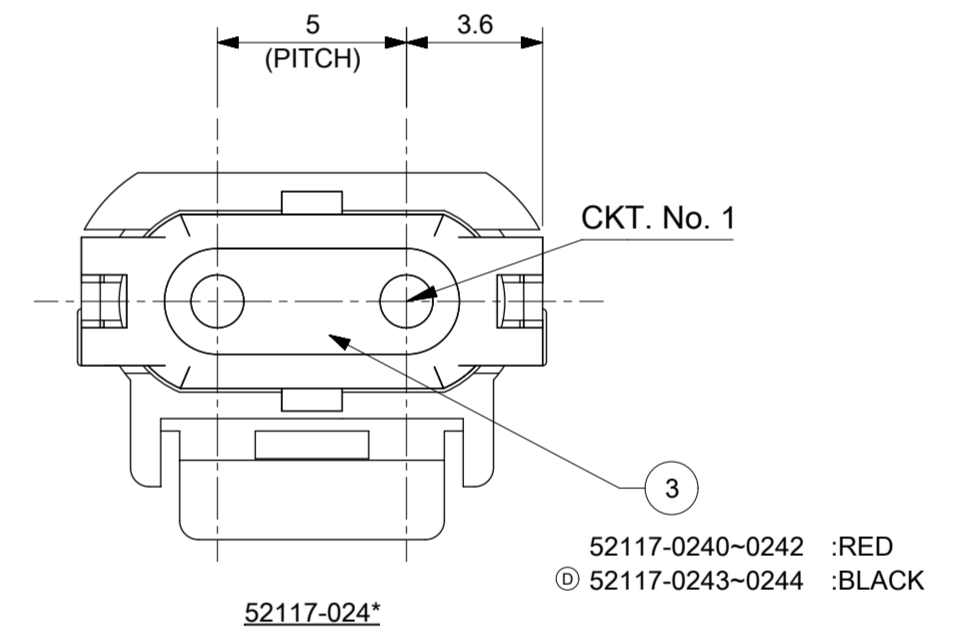
端子装着時の断面 A-A  
SECTION A-A TERMINAL ASSEMBLY DRAWING



52117-034\*



嵌合状態図  
FULLY MATED CONDITION



52117-024\*

52117-0240-0242 :RED  
③ 52117-0243-0244 :BLACK

- 注記  
NOTE
- 適合端子 : 50039-8\*00  
APPLICABLE TERMINAL:50039-8\*00
  - 嵌合相手 : 52116-0\*4\*  
MATES WITH:52116-0\*4\*
  - 製品仕様書 : PS-52117-007  
PRODUCT SPECIFICATION:PS-52117-007
  - 取扱説明書 : AS-52117-001  
APPLICATION SPECIFICATION : AS-52117-001
  - ELV及びRoHS適合品  
ELV AND RoHS COMPLIANT

赤 RED	52117-0342	3
黒 BLACK	52117-0341	3
白 WHITE	52117-0340	3
黒 BLACK	③ 52117-0244	2
白 WHITE	52117-0243	2
赤 RED	52117-0242	2
黒 BLACK	52117-0241	2
白 WHITE	52117-0240	2
色 COLOR	MATERIAL NO.	極数 CKT

シリコンゴム SILICONE	黄 YELLOW	RING SEAL	④
シリコンゴム SILICONE	図参照 SEE DRAWING	WIRE END SEAL	③
ポリエステル (15%G.F.) POLYESTER	表参照 SEE CHART	CAP	②
ポリエステル (15%G.F.) POLYESTER	表参照 SEE CHART	REC. HOUSING	①
材料 MATERIAL	色 COLOR	名称 TITLE	
構成部品 COMPONENTS			

DOCUMENT STATUS	P1	RELEASE DATE	2018/11/28	07:54:17
-----------------	----	--------------	------------	----------

THIS DRAWING CONTAINS INFORMATION THAT IS PROPRIETARY TO MOLEX ELECTRONIC TECHNOLOGIES, LLC AND SHOULD NOT BE USED WITHOUT WRITTEN PERMISSION

DIMENSION UNITS	SCALE	CURRENT REV DESC:
mm	5:1	
GENERAL TOLERANCES (UNLESS SPECIFIED)	GENERAL TOLERANCES (UNLESS SPECIFIED)	EC NO: 607893
10 UNDER ±0.2	ANGULAR TOL ± 3.0°	DRWN: TMORISHITA 2018/08/16
10 OVER 30 UNDER ±0.25	4 PLACES ± 0.2	CHK'D: HKOMATSU 2018/11/27
30 OVER ±0.3	3 PLACES ± 0.25	APPR: TOSADA 2018/11/28
ANGULAR ±3°	2 PLACES ± 0.3	INITIAL REVISION:
	1 PLACE ±	DRWN: SINAOKA 2011/11/30
	0 PLACES ±	APPR: MAYAMAMOTO 2012/01/18
INITIAL REVISION:	DRAFT WHERE APPLICABLE MUST REMAIN WITHIN DIMENSIONS	THIRD ANGLE PROJECTION
DRWN Y.ASHIZAWA 1988/07/08		DRAWING
CHECK M.SAKANO 1988/07/08		SERIES
APPR M.ENOMOTO 1988/07/08		A2-SIZE 52117

DOCUMENT NUMBER	DOC TYPE	DOC PART	REVISION
SD-52117-001	PSD	001	D
MATERIAL NUMBER	CUSTOMER	SHEET NUMBER	
SEE CHART	GENERAL MARKET	1 OF 1	

**molex**

2.5 WATERPROOF CONN.  
REC. HSG ASSY W/POSITIVE LOCK

PRODUCT CUSTOMER DRAWING

## Looking for pricing, stock, or lifecycle information?

Click below to explore more details on WIN SOURCE:

 [View 52117-0243 on WIN SOURCE](#)

 [Molex, LLC Information](#)

## Optimize Your Supply Chain with WIN SOURCE Solutions

-  Global Sourcing Solution
-  Obsolete Management
-  Cost Control Management
-  Shortage Management
-  Alternative Solution
-  Excess Inventory Management