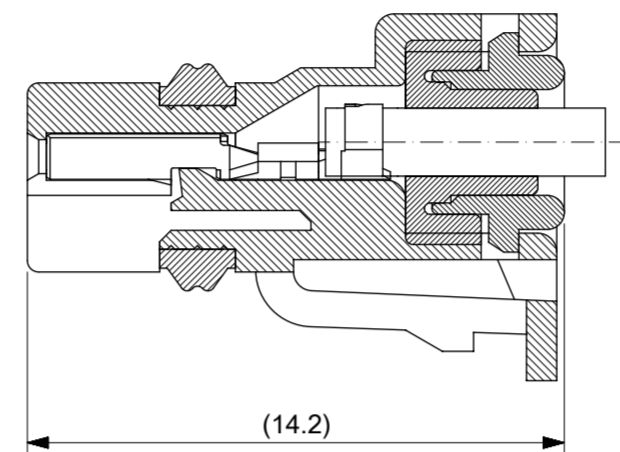
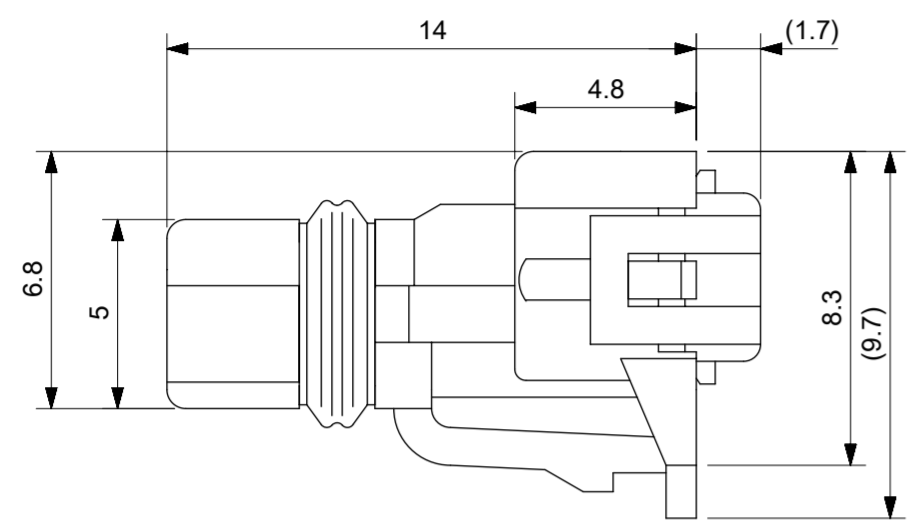


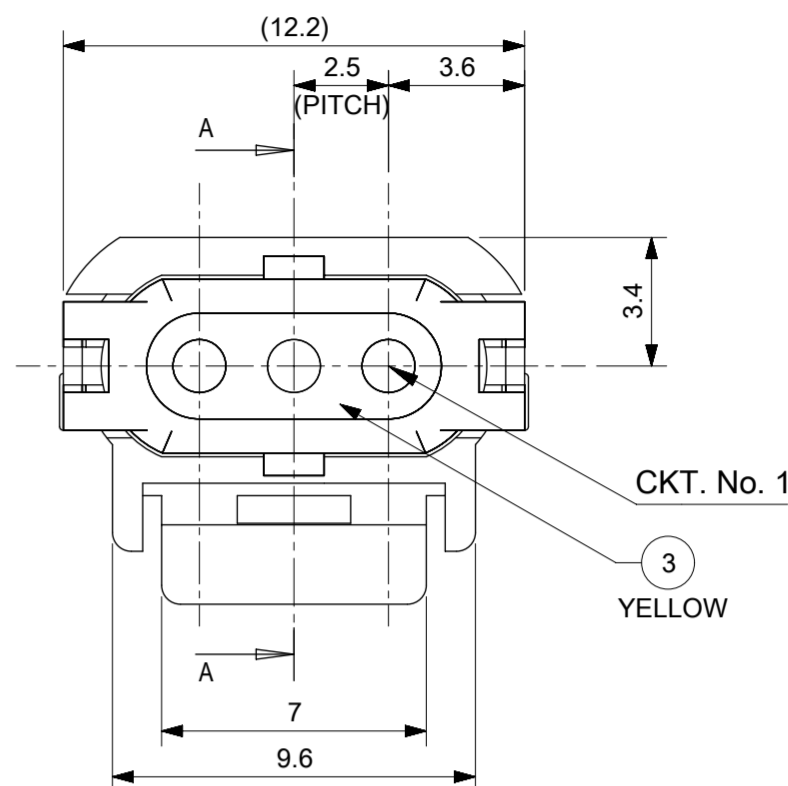


THE DATASHEET OF
52117-0240

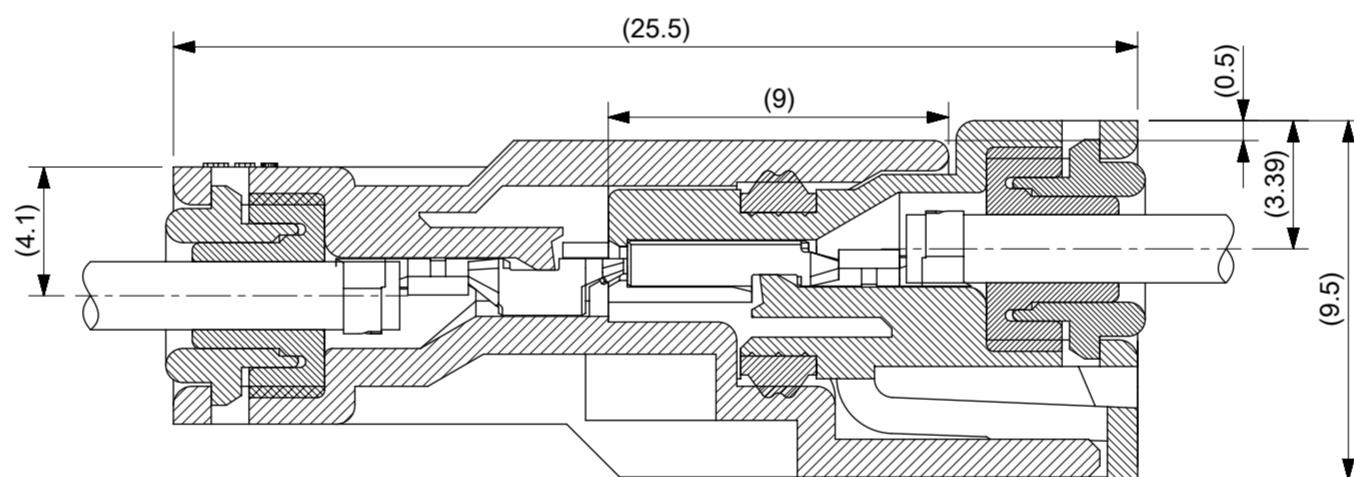
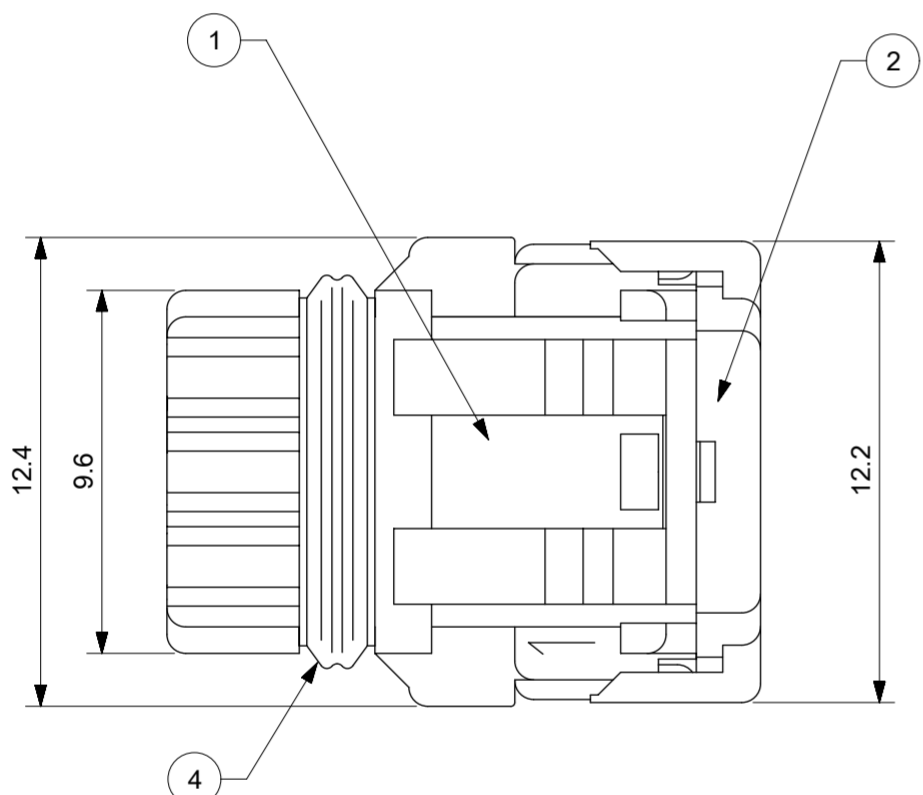




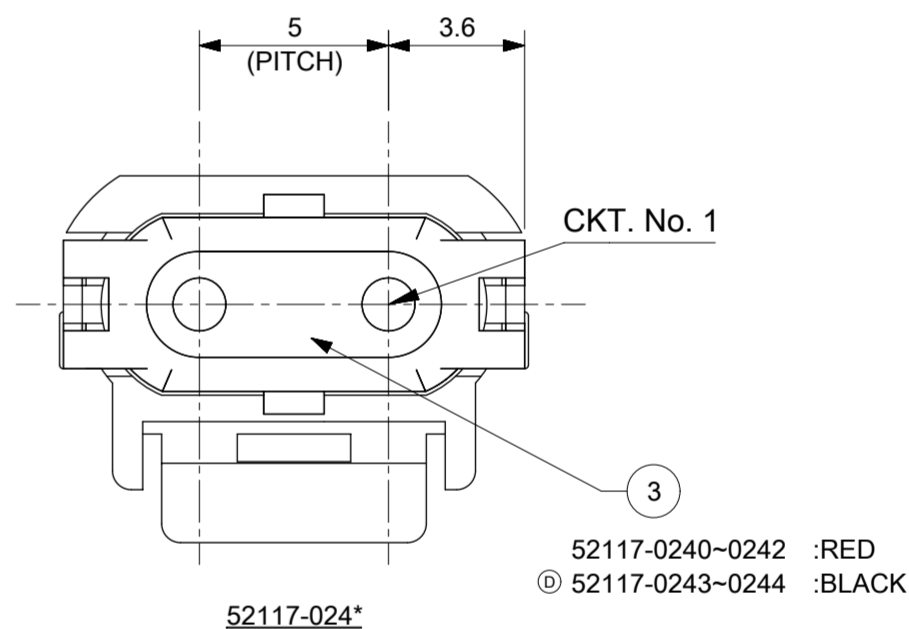
端子装着時の断面 A-A
SECTION A-A TERMINAL ASSEMBLY DRAWING



52117-034*



嵌合状態図
FULLY MATED CONDITION



52117-024*

- 注記
NOTE
- 適合端子 : 50039-8*00
APPLICABLE TERMINAL:50039-8*00
 - 嵌合相手 : 52116-0*4*
MATES WITH:52116-0*4*
 - 製品仕様書 : PS-52117-007
PRODUCT SPECIFICATION:PS-52117-007
 - 取扱説明書 : AS-52117-001
APPLICATION SPECIFICATION : AS-52117-001
 - ELV及びRoHS適合品
ELV AND RoHS COMPLIANT

赤 RED	52117-0342	3
黒 BLACK	52117-0341	3
白 WHITE	52117-0340	3
黒 BLACK	52117-0244	2
白 WHITE	52117-0243	2
赤 RED	52117-0242	2
黒 BLACK	52117-0241	2
白 WHITE	52117-0240	2
色 COLOR	MATERIAL NO.	極数 CKT

THIS DRAWING CONTAINS INFORMATION THAT IS PROPRIETARY TO MOLEX ELECTRONIC TECHNOLOGIES, LLC AND SHOULD NOT BE USED WITHOUT WRITTEN PERMISSION

DIMENSION UNITS mm	SCALE 5:1	CURRENT REV DESC:	molex
GENERAL TOLERANCES (UNLESS SPECIFIED)		EC NO: 607893 DRWN: TMORISHITA 2018/08/16 CHK'D: HKOMATSU 2018/11/27 APPR: TOSADA 2018/11/28	
GENERAL TOLERANCES (UNLESS SPECIFIED)		INITIAL REVISION:	2.5 WATERPROOF CONN. REC. HSG ASSY W/POSITIVE LOCK
ANGULAR TOL ± 3.0°		DRWN: SINAOKA 2011/11/30 APPR: MAYAMAMOTO 2012/01/18	
10 UNDER ±0.2		PRODUCT CUSTOMER DRAWING	DOCUMENT NUMBER
10 OVER 30 UNDER ±0.25		PRODUCT CUSTOMER DRAWING	DOC TYPE
30 OVER ±0.3		PRODUCT CUSTOMER DRAWING	DOC PART
ANGULAR ±3°		PRODUCT CUSTOMER DRAWING	REVISION
DRAFT WHERE APPLICABLE MUST REMAIN WITHIN DIMENSIONS		THIRD ANGLE PROJECTION	SD-52117-001
DRAFT WHERE APPLICABLE MUST REMAIN WITHIN DIMENSIONS		DRAWING	PSD
DRAFT WHERE APPLICABLE MUST REMAIN WITHIN DIMENSIONS		SERIES	001
DRAFT WHERE APPLICABLE MUST REMAIN WITHIN DIMENSIONS		A2-SIZE	D
DRAFT WHERE APPLICABLE MUST REMAIN WITHIN DIMENSIONS		MATERIAL NUMBER	SEE CHART
DRAFT WHERE APPLICABLE MUST REMAIN WITHIN DIMENSIONS		CUSTOMER	GENERAL MARKET
DRAFT WHERE APPLICABLE MUST REMAIN WITHIN DIMENSIONS		SHEET NUMBER	1 OF 1

GENERAL TOLERANCES (UNLESS SPECIFIED)	
10 UNDER	±0.2
10 OVER 30 UNDER	±0.25
30 OVER	±0.3
ANGULAR ±3°	
INITIAL REVISION:	
DRWN	Y.ASHIZAWA 1988/07/08
CHECK	M.SAKANO 1988/07/08
APPR	M.ENOMOTO 1988/07/08

シリコンゴム SILICONE	黄 YELLOW	RING SEAL	④
シリコンゴム SILICONE	図参照 SEE DRAWING	WIRE END SEAL	③
ポリエステル (15%G.F.) POLYESTER	表参照 SEE CHART	CAP	②
ポリエステル (15%G.F.) POLYESTER	表参照 SEE CHART	REC. HOUSING	①
材料 MATERIAL	色 COLOR	名称 TITLE	
構成部品 COMPONENTS			
DOCUMENT STATUS	P1	RELEASE DATE	2018/11/28 07:54:17

Looking for pricing, stock, or lifecycle information?

Click below to explore more details on WIN SOURCE:

 [View 52117-0240 on WIN SOURCE](#)

 [Molex, LLC Information](#)

Optimize Your Supply Chain with WIN SOURCE Solutions

-  Global Sourcing Solution
-  Obsolete Management
-  Cost Control Management
-  Shortage Management
-  Alternative Solution
-  Excess Inventory Management