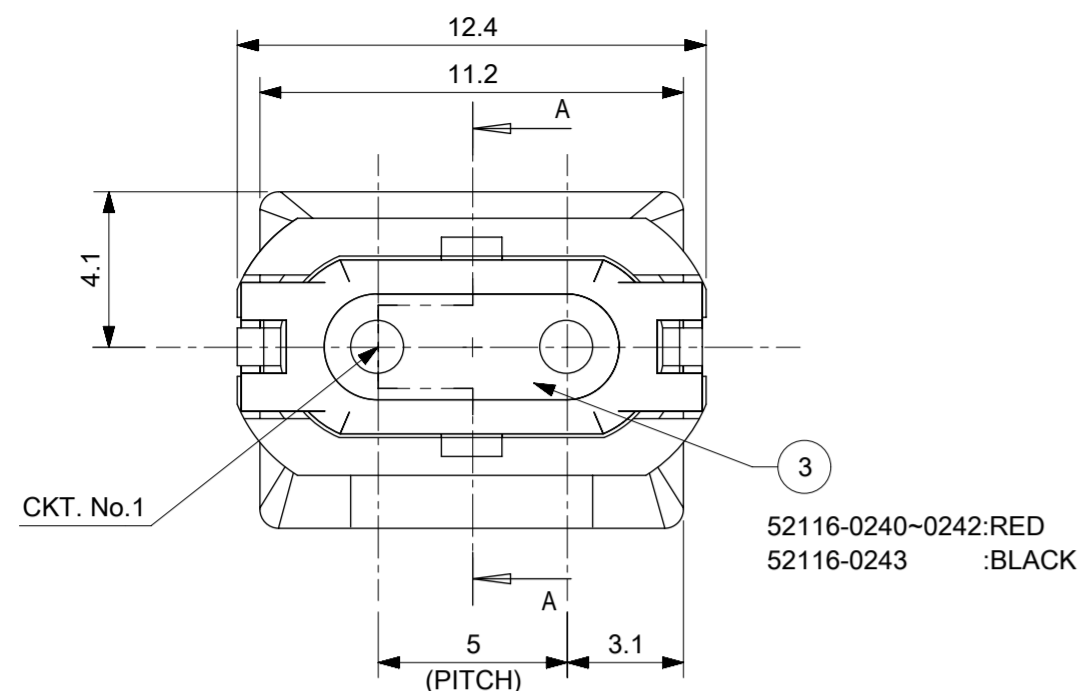


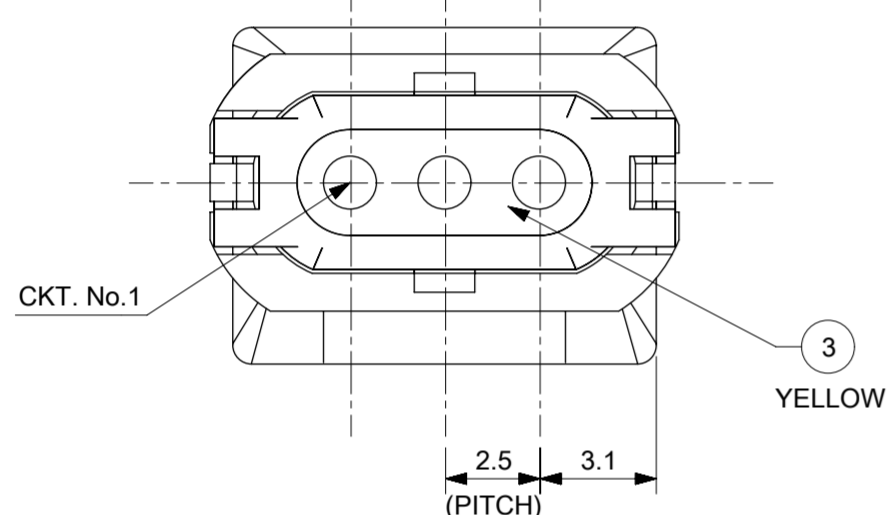


THE DATASHEET OF
52116-0240

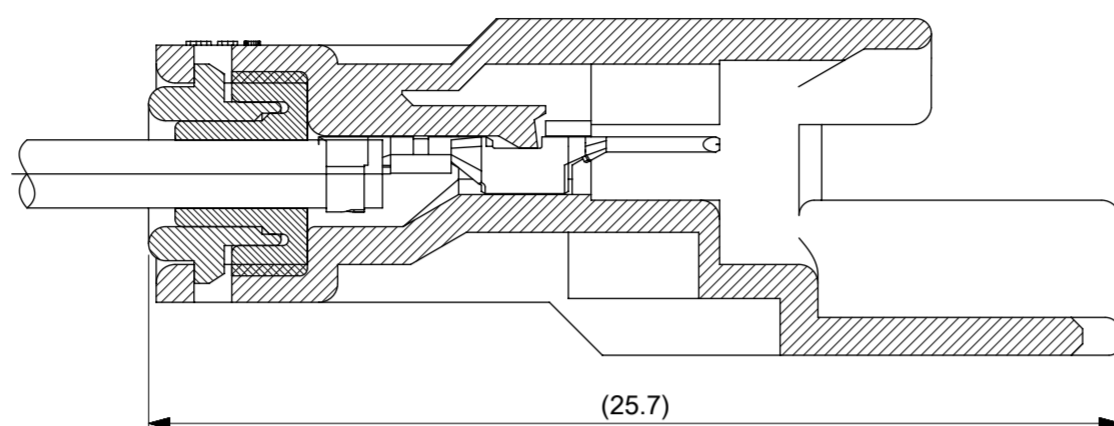




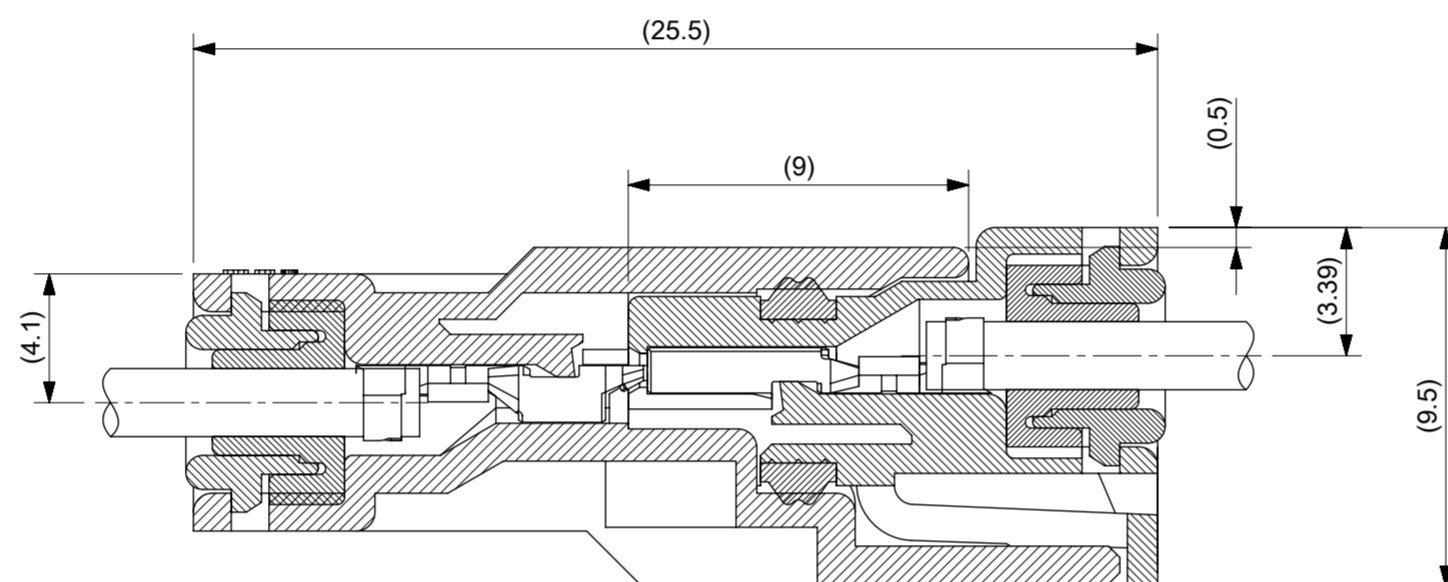
52116-024*



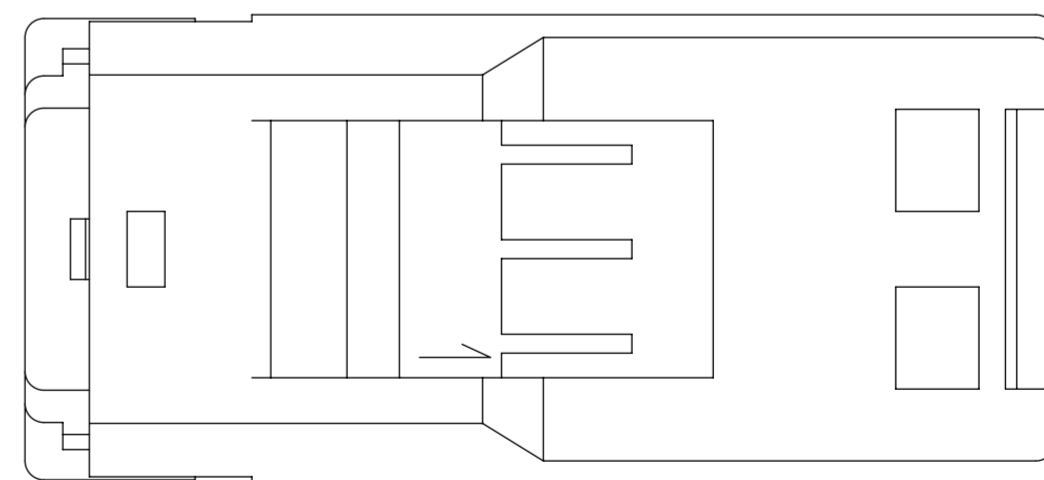
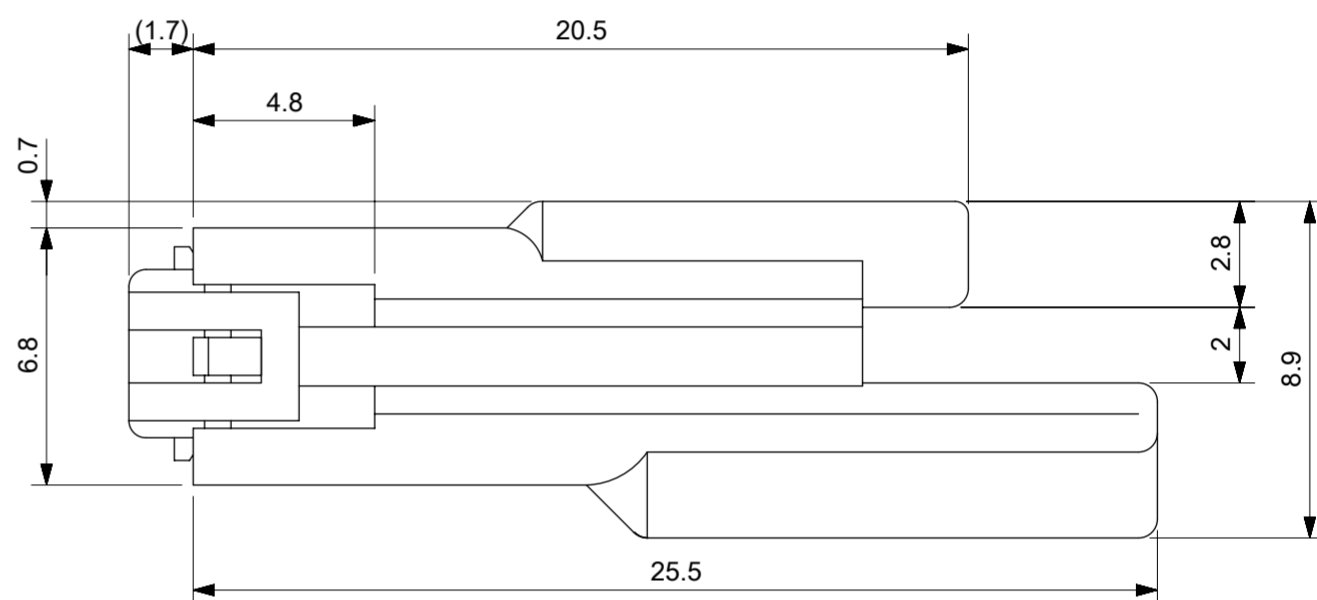
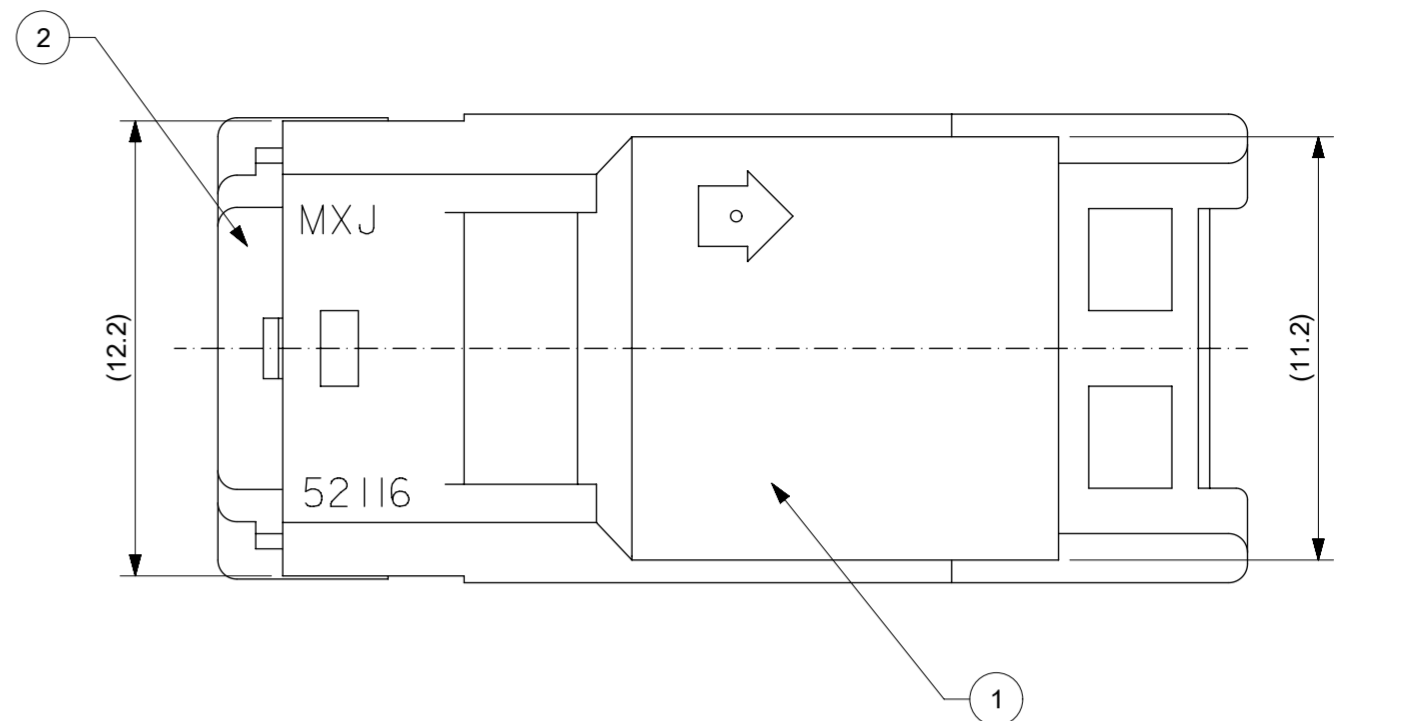
52116-034*



断面A-A (端子装着状態)
SECTION A-A (TEAM.ASSEMBLY DRAWING)



嵌合状態図
FULLY MATED CONDITION



- 注記
NOTE
- 適合端子: 50038-8*00
APPLICABLE TERMINAL:50038-8*00
 - 嵌合相手: 52117-0*4*
MATES WITH:52117-0*4*
 - 製品仕様書: PS-52117-007
PRODUCT SPECIFICATION: PS-52117-007
 - 取扱説明書: AS-52117-001
APPLICATION SPECIFICATION: AS-52117-001
 - ELV及びRoHS適合品
ELV AND RoHS COMPLIANT

THIS DRAWING CONTAINS INFORMATION THAT IS PROPRIETARY TO MOLEX ELECTRONIC TECHNOLOGIES, LLC AND SHOULD NOT BE USED WITHOUT WRITTEN PERMISSION

DIMENSION UNITS	SCALE	CURRENT REV DESC:	
mm	5:1		
GENERAL TOLERANCES (UNLESS SPECIFIED)		EC NO: 174474	
10 UNDER	±0.2	DRWN: RHORI	2018/04/02
10 OVER 30 UNDER	±0.25	CHK'D: HKOMATSU	2018/04/13
30 OVER	±0.3	APPR: TOSADA	2018/04/20
ANGULAR	±3 °	INITIAL REVISION:	
		DRWN: SINAKA	2011/02/16
		APPR: MAYAMAMOTO	2012/01/18
DRAFT WHERE APPLICABLE MUST REMAIN WITHIN DIMENSIONS		THIRD ANGLE PROJECTION	DRAWING
		A2-SIZE	SERIES
		SEE CHART	52116
		CUSTOMER	GENERAL MARKET
		MATERIAL NUMBER	SD-52116-001
		DOC TYPE	PSD
		DOC PART	001
		REVISION	D3
		SHEET NUMBER	1 OF 1

GENERAL TOLERANCES (UNLESS SPECIFIED)					
10 UNDER	±0.2	赤 RED	52116-0342	3	
10 OVER 30 UNDER	±0.25	黒 BLACK	52116-0341	3	
30 OVER	±0.3	白 WHITE	52116-0340	3	
ANGULAR	±3 °	白 WHITE	52116-0243	2	
		赤 RED	52116-0242	2	
		黒 BLACK	52116-0241	2	
		白 WHITE	52116-0240	2	
		色 COLOR	MATERIAL NO.	極数	CKT

INITIAL REVISION:					
DRWN	Y.ASHIZAWA	1988/07/08			
CHECK	M.SAKANO	1988/07/08			
APPR	M.ENOMOTO	1988/07/08			

材料	色	名称
MATERIAL	COLOR	TITLE
シリコンゴム SILICONE	図参照 SEE DRAWING	ワイヤーエンドシール WIRE END SEAL ③
ポリエステル(15%G.F.) POLYESTER	表参照 SEE CHART	CAP ②
ポリエステル(15%G.F.) POLYESTER	表参照 SEE CHART	プラグハウジング PLUG HOUSING ①
構成部品 COMPONENTS		
DOCUMENT STATUS	P1	RELEASE DATE
		2018/04/20 09:04:05

Looking for pricing, stock, or lifecycle information?

Click below to explore more details on WIN SOURCE:

 [View 52116-0240 on WIN SOURCE](#)

 [Molex, LLC Information](#)

Optimize Your Supply Chain with WIN SOURCE Solutions

-  Global Sourcing Solution
-  Obsolete Management
-  Cost Control Management
-  Shortage Management
-  Alternative Solution
-  Excess Inventory Management