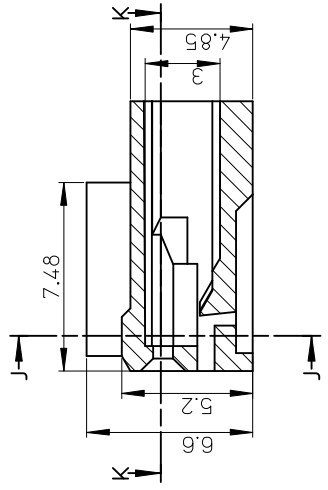
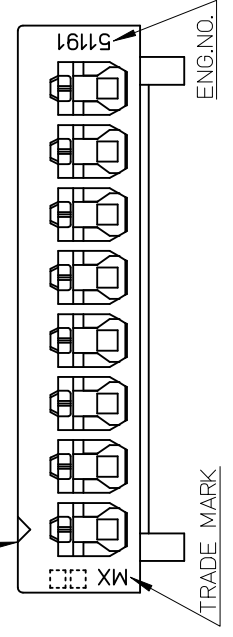
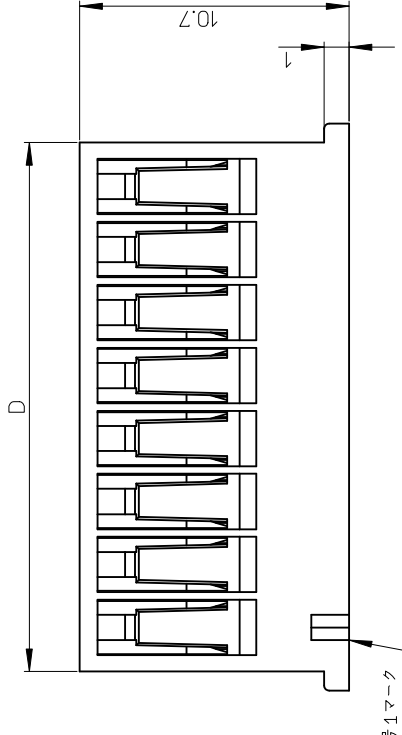
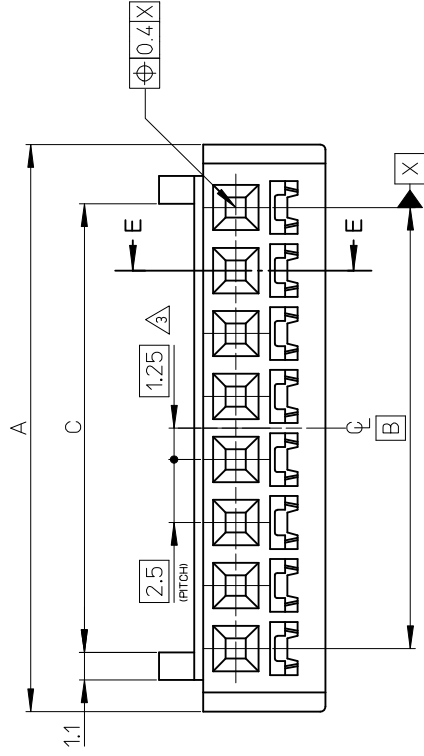




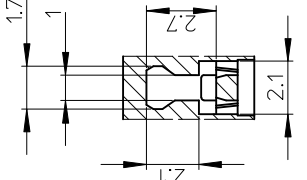
THE DATASHEET OF
51191-0300



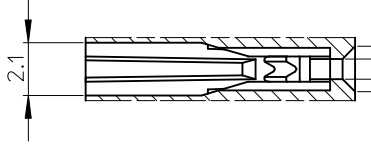
10 9 8 7 6 5 4 3



断面 E-E
SECTION E-E



断面 J-J
SECTION J-J



断面 K-K
SECTION K-K

NOTES: 1. 適合ター
APPLIC.
2. 嵌合相手
MATE
△ 偶数極の
APPLY

41	37.8
38.5	35.3
36	32.8
33.5	30.3
31	27.8
28.5	25.3
26	22.8
23.5	20.3
21	17.8
18.5	15.3
16	12.8
13.5	10.3
11	7.8
8.5	5.3
6	2.8
D	C

GENERAL TOLERANCES (UNLESS SPECIFIED)	10 UNDER	± 0.2
	10 OVER	± 0.25
	30 OVER	± 0.3
	ANGULAR	± --- °
DRAFT WHERE APPLICABLE MUST REMAIN WITHIN DIMENSIONS		
DESCRIPTION	REV	
EC NO: J2009-1227	C	
DRWN: YOSHIDAM		
CHKD: THARUYAMA		
APP: NUKITA		
2009/01/16		
REVISED		
DIMENSION STYLE		
MM ONLY	SCALE	5
DRAWN BY	DATE	TITLE
S. MATSUZAKI	1998/04/09	
CHECKED BY	DATE	
S. KUNISHI	1998/04/10	
APPROVED BY	DATE	
M. FUKUSHIMA	1998/04/10	
MATERIAL NO.	DOCUMENT	
SEE TABLE	SD-	
THIS DRAWING CONTAINS I		
INCORPORATED AND SHOU		

材料	NYLON66.JUL94V-0
MATERIAL	
仕上げ	—
FINISH	
適用電線範囲	—
WIRE RANGE	
茶覆外径	—
INS. RANGE	

回路番号1マーク
CKT.NO.1MARK
TRADE MARK
ENG.NO.
REVISED
EC NO: J2009-1227
DRWN: YOSHIDAM
CHKD: THARUYAMA
APP: NUKITA
2009/01/16
DIMENSION STYLE
MM ONLY
SCALE
5
TITLE
DRAWN BY
S. MATSUZAKI
DATE
1998/04/09
CHECKED BY
S. KUNISHI
DATE
1998/04/10
APPROVED BY
M. FUKUSHIMA
DATE
1998/04/10
MATERIAL NO.
DOCUMENT
SEE TABLE
SD-
THIS DRAWING CONTAINS I
INCORPORATED AND SHOU

tb_frame A3_J_ME_S
Rev. D' 2004/04/02

10 9 8 7 6 5 4 3

Looking for pricing, stock, or lifecycle information?

Click below to explore more details on WIN SOURCE:

 [View 51191-0300 on WIN SOURCE](#)

 [Molex, LLC Information](#)

Optimize Your Supply Chain with WIN SOURCE Solutions

-  Global Sourcing Solution
-  Obsolete Management
-  Cost Control Management
-  Shortage Management
-  Alternative Solution
-  Excess Inventory Management