



**THE DATASHEET OF
PVR3300NPBF**



Series PVR33NPbF

Microelectronic Power IC
HEXFET® Power MOSFET Photovoltaic Relay
Dual-Pole, Normally-Open
0-300V AC/DC, 165mA

General Description

The PVR33 Series AC/DC Relay is a dual-pole, normally open, solid-state replacement for electromechanical relays used for general purpose switching of analog signals. It utilizes International Rectifier's HEXFET power MOSFETs as the output switches, driven by an integrated circuit photovoltaic generator of novel construction. The output switch is controlled by radiation from a GaAlAs light emitting diode (LED), which is optically isolated from the photovoltaic generator.

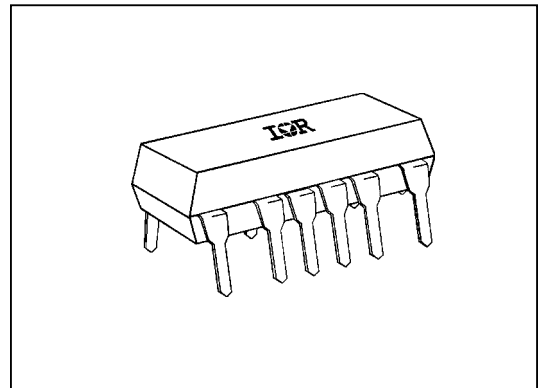
The PVR33 Series overcomes the limitations of both conventional electromechanical and reed relays by offering the solid state advantages of long life, fast operating speed, low pick up power, bounce-free operation, low thermal offset voltages and miniature package. These advantages allow product improvement and design innovations in many applications such as process control, multiplexing, automatic test equipment and data acquisition.

The PVR33 can switch analog signals from thermocouple level to 300 Volts peak AC or DC polarity. Signal frequencies into the RF range are easily controlled and switching rates up to 350Hz are achievable. The extremely small thermally generated offset voltages allow increased measurement accuracies.

These relays are packaged in 16-pin, molded DIP packages and available with thru-hole leads, in plastic shipping tubes.

Features

- Bounce-Free Operation
- 10^{10} Off-State Resistance
- 1,000 V/ μ sec dv/dt
- 0.2 μ V Thermal Offset
- 5 mA Input Sensitivity
- 1,500 V_{RMS} I/O Isolation
- Solid-State Reliability



Applications

- Process Control
- Data Acquisition
- Test Equipment
- Multiplexing and Scanning

Part Identification

PVR2300NPbF
PVR3300NPbF
PVR3301NPbF

(HEXFET is the registered trademark for International Rectifier Power MOSFETs)

Electrical Specifications ($-40^{\circ}\text{C} \leq T_A \leq +85^{\circ}\text{C}$ unless otherwise specified)

INPUT CHARACTERISTICS		Units
Minimum Control Current A Connection (see figure 1)		DC
For 170 Continuous Load Current	2.0	$\text{mA}@25^{\circ}\text{C}$
For 165 Continuous Load Current	5.0	$\text{mA}@40^{\circ}\text{C}$
For 130 Continuous Load Current	5.0	$\text{mA}@85^{\circ}\text{C}$
Minimum Turn-Off Current	10	$\mu\text{A}(\text{DC})$
Minimum Turn-Off Voltage	0.6	$\text{V}(\text{DC})$
Control Current Range (Caution: current limit input LED. See figure 6)	2.0 to 25	$\text{mA}(\text{DC})$
Maximum Reverse Voltage	6.0	$\text{V}(\text{DC})$

OUTPUT CHARACTERISTICS	PVR2300N	PVR3300N, PVR3301N	Units
Operating Voltage Range	± 200	± 300	$\text{V}(\text{peak})$
Maximum Load Current 40°C $I_{\text{LED}} = 5\text{mA}$ (see figure 1)			
AC (A Connection)		165	$\text{mA}(\text{peak})$
DC (B Connection)		180	$\text{mA}(\text{DC})$
DC (C Connection)		310	$\text{mA}(\text{DC})$
Response Time @ 25°C (see figures 7 and 8)			
Maximum T(on) @ 12mA Control, 100 mA Load, 100 VDC		150	μs
Maximum T(off) @ 12mA Control, 100 mA Load, 100 VDC		125	μs
Maximum On-state Resistance 25°C (Pulsed) (fig. 2) 50 mA Load, 5mA Control			
AC (A Connection)		24	Ω
DC (B Connection)		12	Ω
DC (C Connection)		6	Ω
Minimum Off-state Resistance 25°C @ 160 VDC PVR2300, PVR3300		10^9	Ω
@ 240 VDC PVR3301		10^{10}	Ω
Maximum Thermal Offset Voltage @ 5.0mA Control		0.2	μvolts
Minimum Off-State dv/dt		1000	$\text{V}/\mu\text{s}$
Typical Output Capacitance (see figure 9)		6	$\text{pF} @ 50\text{VDC}$

GENERAL CHARACTERISTICS		Units
Dielectric Strength: Input-Output	1500	V_{RMS}
Insulation Resistance: Input-Output @ 500Vdc	10^{12}	Ω
Maximum Capacitance: Input-Output	1.0	pF
Maximum Lead Soldering Temperature (1.6mm below seating plane for 10 sec.)	260	$^{\circ}\text{C}$
Ambient Temperature Range:	Operating	-40 to $+85$
	Storage	-40 to $+100$

International Rectifier does not recommend the use of this product in aerospace, avionics, military or life support applications. Users of this International Rectifier product in such applications assume all risks of such use and indemnify International Rectifier against all damages resulting from such use.

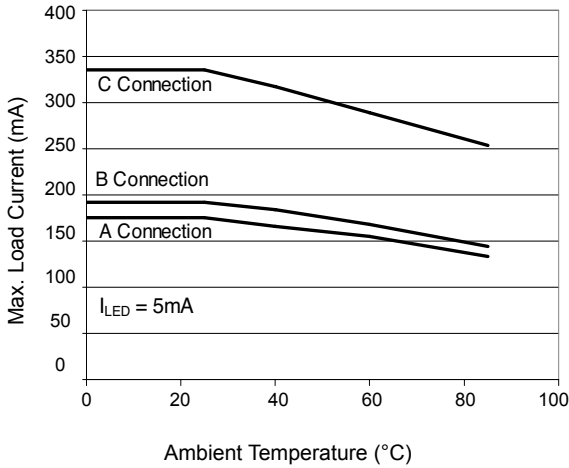


Figure 1. Current Derating Curve

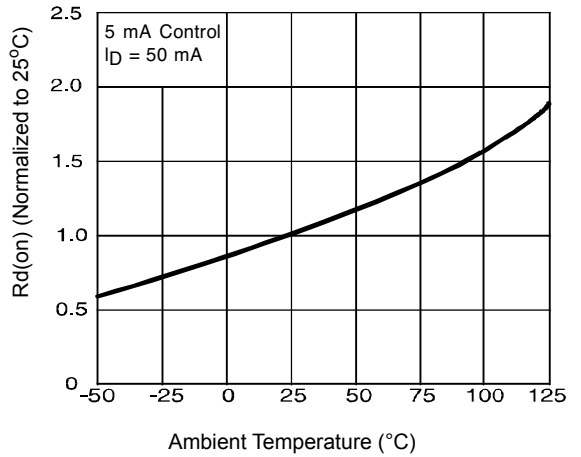


Figure 2. Typical On-Resistance

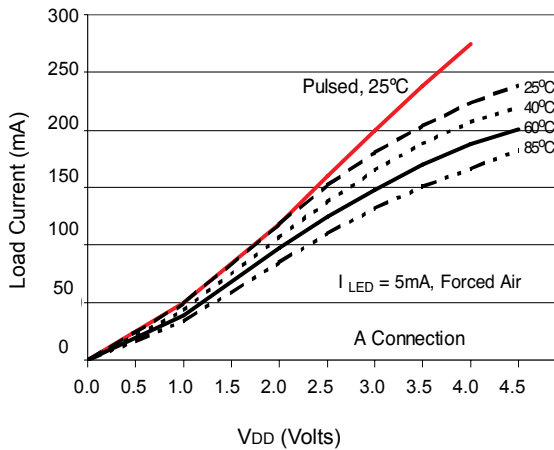


Figure 3. Typical On-Characteristic A Connection

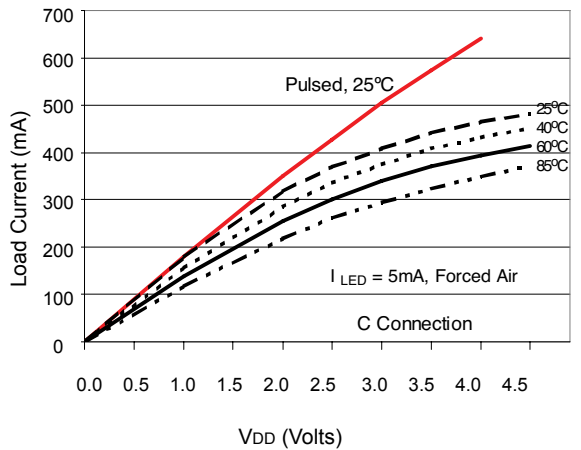


Figure 4. Typical On-Characteristic C Connection

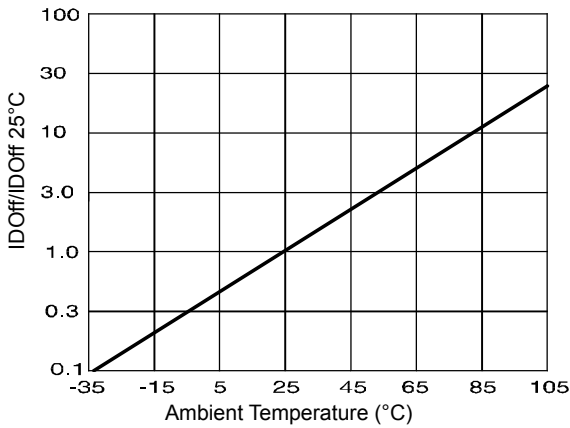


Figure 5. Typical Normalized Off-State Leakage

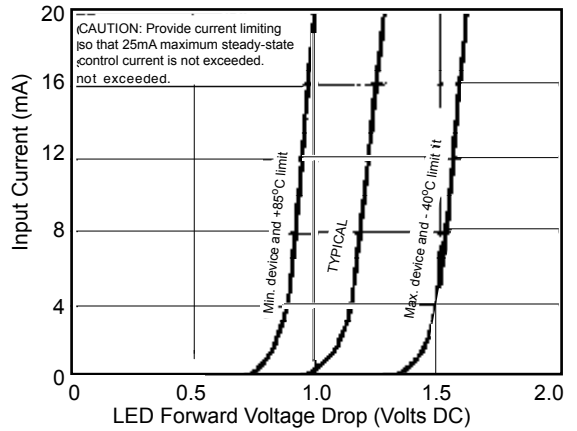


Figure 6. Input Characteristics (Current Controlled)

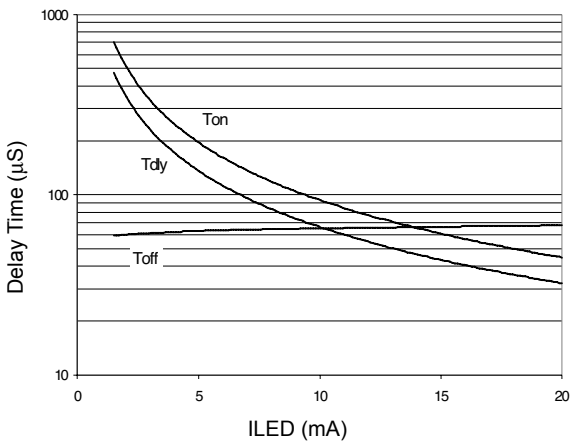


Figure 7. Typical Delay Times

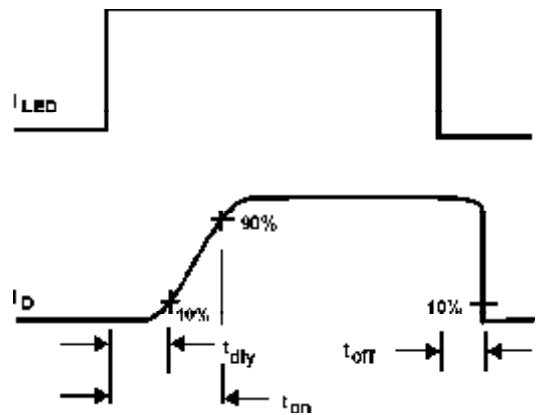


Figure 8. Delay Time Definitions

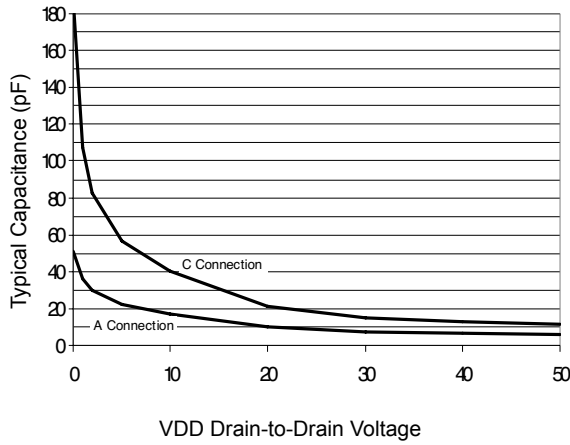
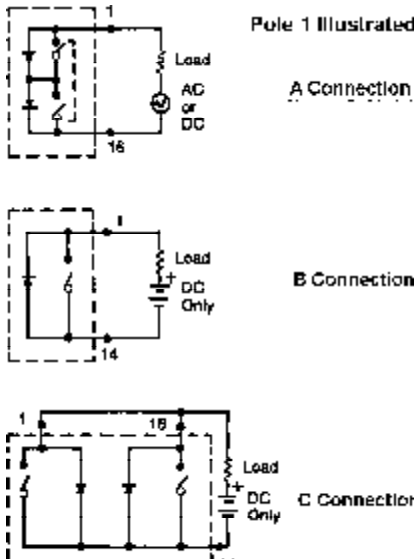
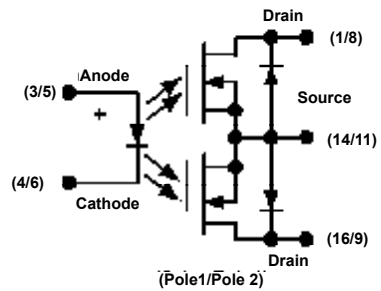


Figure 9. Typical Output Capacitance

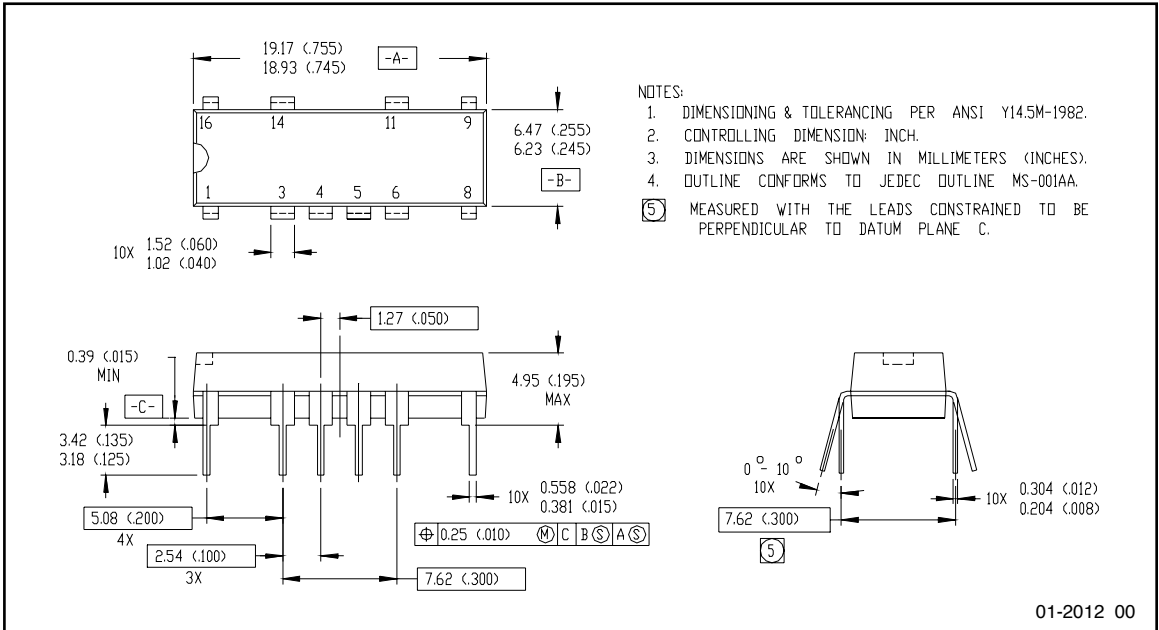
Wiring Diagram



Schematic Diagram



Case Outline



01-2012 00

Looking for pricing, stock, or lifecycle information?

Click below to explore more details on WIN SOURCE:

- ⊖ [View PVR3300NPBF on WIN SOURCE](#)
- ⊖ [Infineon Technologies](#) Information

Optimize Your Supply Chain with WIN SOURCE Solutions

- ✓ Global Sourcing Solution
- ✓ Obsolete Management
- ✓ Cost Control Management
- ✓ Shortage Management
- ✓ Alternative Solution
- ✓ Excess Inventory Management