

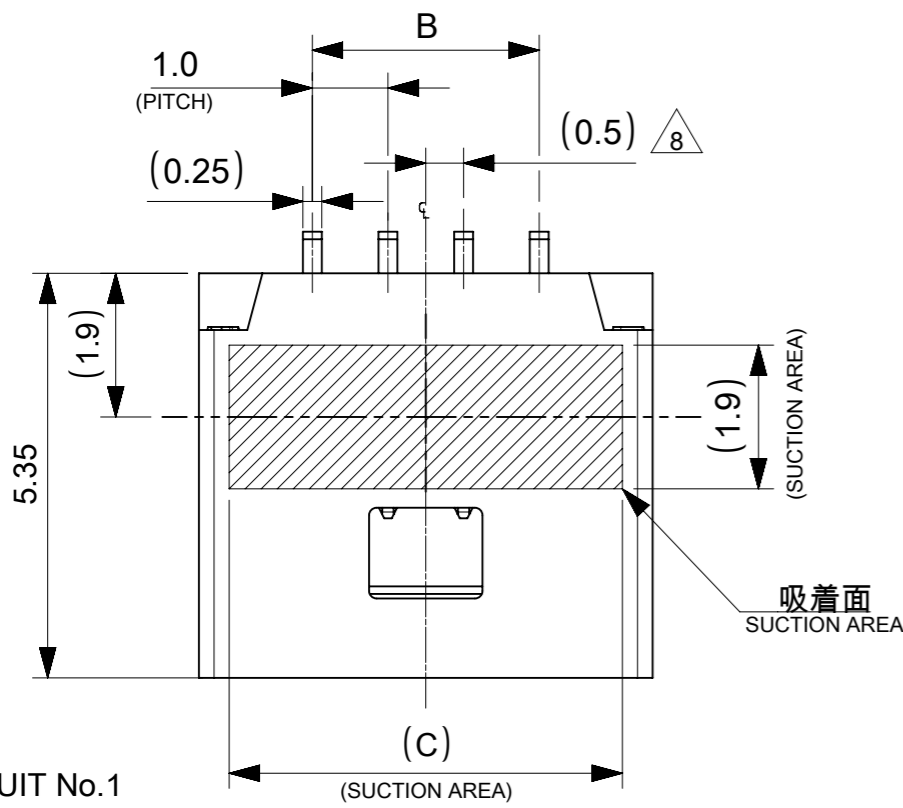


THE DATASHEET OF
501568-0907

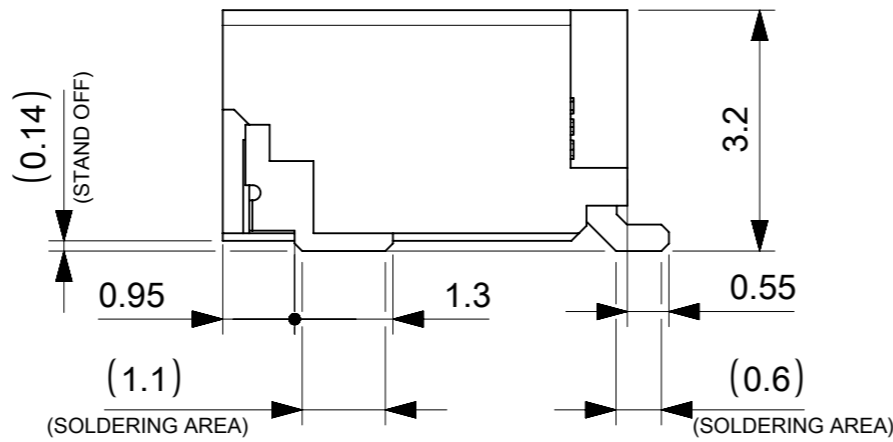
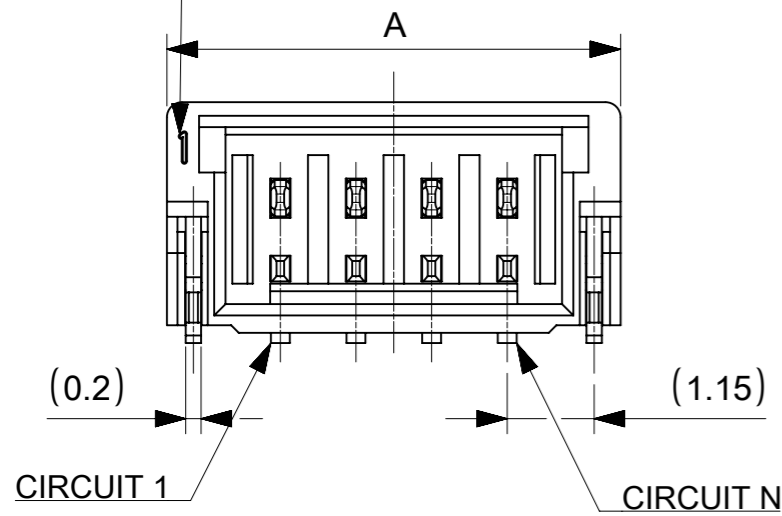


NOTES

- 本製品は極数によって、ロック形状が変わりますので御注意願います。
THE LOCK SHAPE OF THIS PRODUCT CHANGES ACCORDING TO THE NUMBER OF CIRCUIT.
2~5 CIRCUITS : フリクションロック FRICTION LOCK
6~15 CIRCUITS : インナーポジティブロック INNER POSITIVE LOCK
- 材料及び仕上げ(めっき仕様) : TABLE 1,2 参照
MATERIAL AND FINISHES : SEE TABLE 1 AND 2
- 製品仕様書 : 5013300000-PS 001
PRODUCT SPECIFICATION:
- 梱包形態 : SEE SHEET 4
PACKAGING INFORMATION:
- 嵌合相手 : 501330 シリーズ
MATES WITH:501330 SERIES
- アプリケーション仕様書(コネクタ取扱い説明書) : 5013300000-AS A00(JAPANESE)/-A01(ENGLISH)
APPLICATION SPECIFICATION(CONNECTOR MANUAL):
- ソルダーピン及びネイルの平坦度:0.1 MAX.
SOLDER PIN AND NAIL COPLANARITY: 0.1 MAX.
- 偶数極に適用
APPLY FOR EVEN CIRCUIT
- 本製品は錫めっき品である。金めっき品は以下の図面を御参照下さい。
THIS PRODUCT IS A TIN PLATING. PLEASE REFER TO THE FOLLOWING DRAWING FOR GOLD PLATING VERSION.



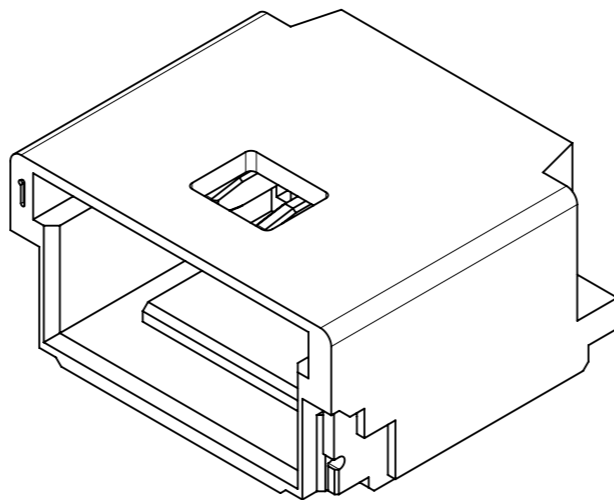
CIRCUIT No.1
INDICATOR MARK



GOLD PLATING THICKNESS [micro-meter MIN.]	SERIES No.	DRAWING No.
0.1	202396	2023960000-SD PSD 000
0.38	203558	2035580000-SD PSD 000
0.76	203559	2035590000-SD PSD 000

TABLE 1

番号 NO.	部品 PART	材質 MATERIAL	
①	ウエハー WAFER	ポリアミド(PA), UL94V-0, 色 : SEE SHEET 6 POLYAMIDE(PA), UL94V-0, COLOR : SEE SHEET 6	
②	ソルダーピン SOLDER PIN	リン青銅 PHOSPHOR BRONZE	
		接点部 CONTACT AREA	錫めっき : 1.0 MICRO-METER MIN. MATTE TIN PLATING
		テール部 TAIL AREA	錫めっき : 1.0 MICRO-METER MIN. MATTE TIN PLATING
③	ネイル NAIL	下地めっき UNDER PLATING	ニッケルめっき : 1.0 MICRO-METER MIN. NICKEL
		黄銅 BRASS	
		テール部 TAIL AREA	錫めっき : 1.0 MICRO-METER MIN. MATTE TIN PLATING
		下地めっき UNDER PLATING	ニッケルめっき : 1.0 MICRO-METER MIN. NICKEL



C	B	A	極数 CIRCUIT SIZE
6.2	4.0	7.0	5
5.2	3.0	6.0	4
4.2	2.0	5.0	3
3.2	1.0	4.0	2

THIS DRAWING CONTAINS INFORMATION THAT IS PROPRIETARY TO MOLEX ELECTRONIC TECHNOLOGIES, LLC AND SHOULD NOT BE USED WITHOUT WRITTEN PERMISSION

DIMENSION UNITS	SCALE	CURRENT REV DESC:		molex		
mm	NTS					
GENERAL TOLERANCES (UNLESS SPECIFIED)		EC NO: 614886		PICO-CLASP 1.0 W/B		
ANGULAR TOL	± 3.0 °	DRWN: AISHIKAWA	2019/02/18	SINGLE ROW RA SMT INNER LOCK TIN PLATING		
4 PLACES	± 0.2	CHK'D: AIDA	2019/04/03	PRODUCT CUSTOMER DRAWING		
3 PLACES	± 0.2	APPR: KOMURAKAMI	2019/04/05	DOCUMENT NUMBER		
2 PLACES	± 0.2	INITIAL REVISION:		5015680000-SD		
1 PLACE	± 0.2	DRWN: AISHIKAWA	2019/02/18	DOC TYPE	DOC PART	REVISION
0 PLACES	± 0.2	APPR: KOMURAKAMI	2019/04/05	PSD	000	A
DRAFT WHERE APPLICABLE MUST REMAIN WITHIN DIMENSIONS		THIRD ANGLE PROJECTION	DRAWING	SERIES	MATERIAL NUMBER	CUSTOMER
			A3-SIZE	501568	SEE SHEET 6	
						SHEET NUMBER
						1 OF 6

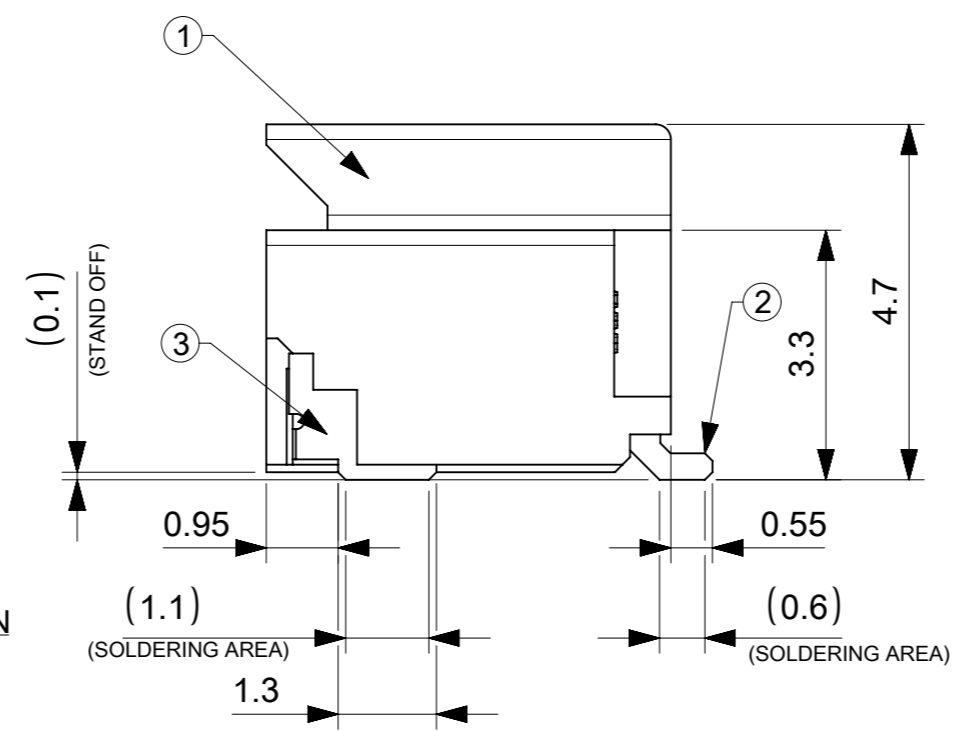
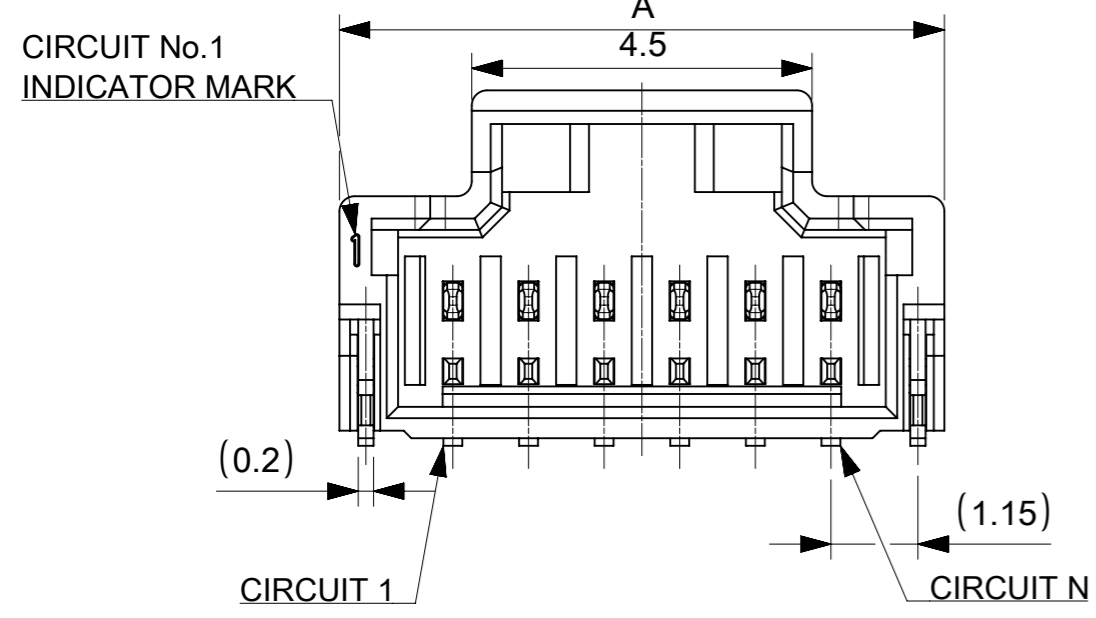
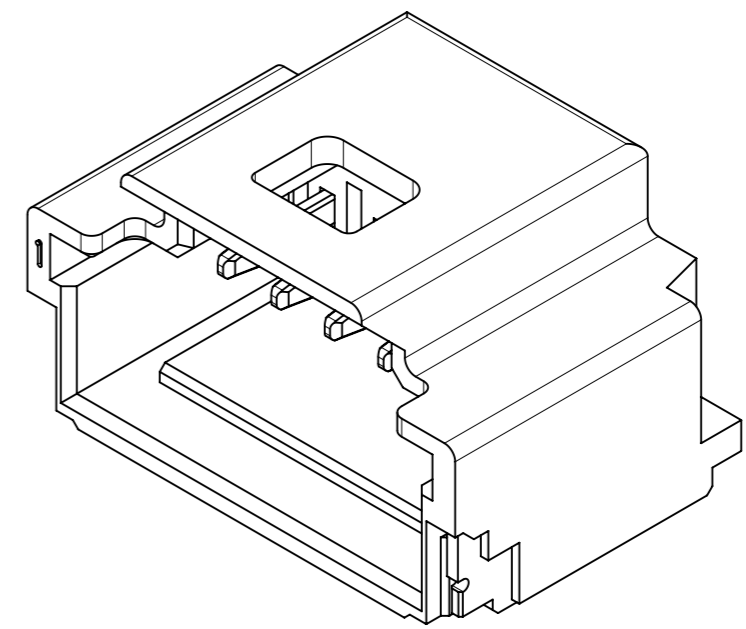
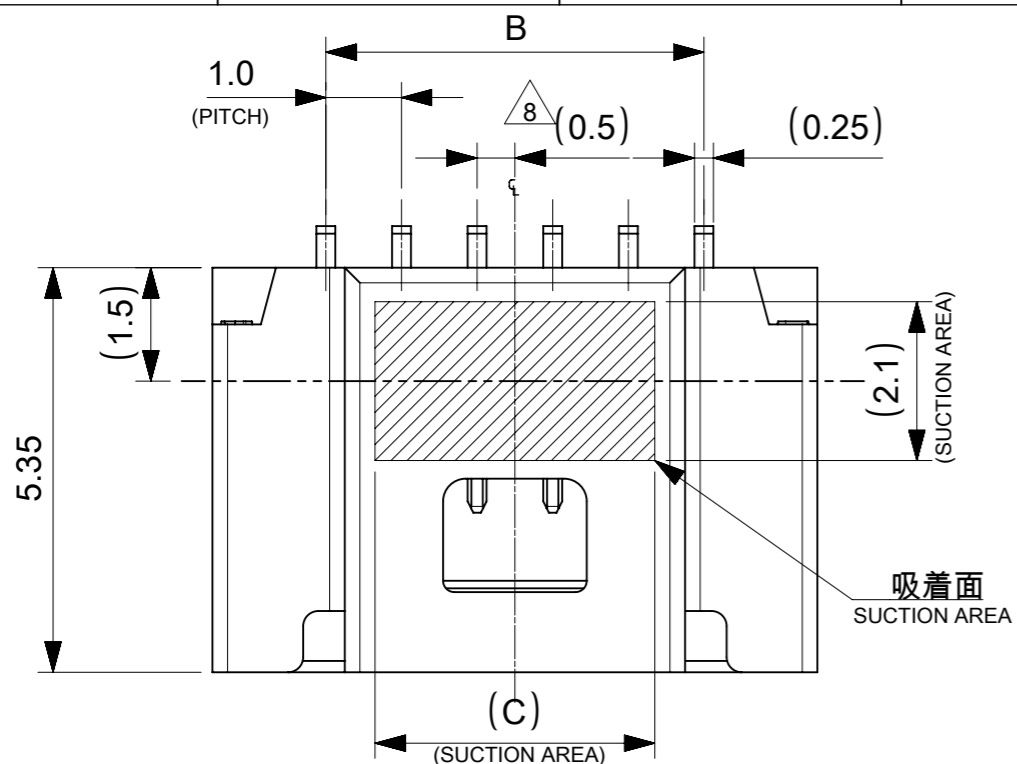


TABLE 2

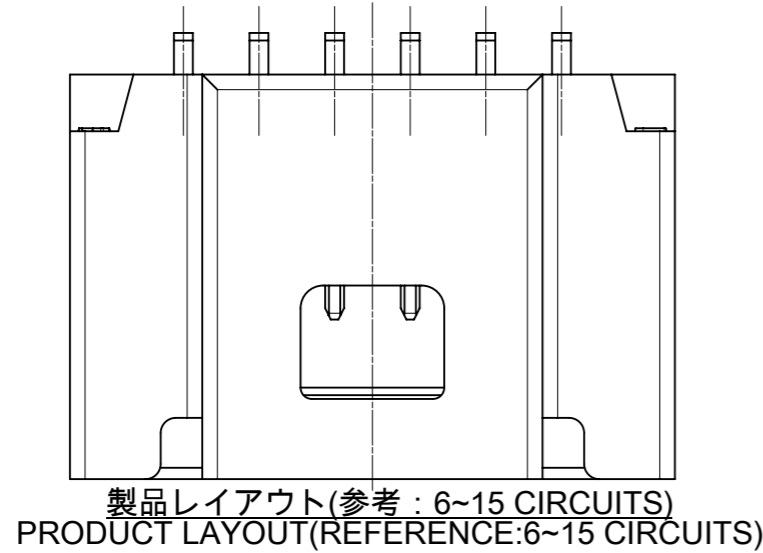
番号 NO.	部品 PART	材質 MATERIAL	
①	ウエハー WAFER	ポリアミド(PA), UL94V-0, 色 : SEE SHEET 6 POLYAMIDE(PA), UL94V-0, COLOR : SEE SHEET 6	
②	ソルダーピン SOLDER PIN	リン青銅 PHOSPHOR BRONZE	
		接点部 CONTACT AREA	錫めっき : 1.0 MICRO-METER MIN. MATTE TIN PLATING
		テール部 TAIL AREA	錫めっき : 1.0 MICRO-METER MIN. MATTE TIN PLATING
	下地めっき UNDER PLATING	ニッケルめっき : 1.0 MICRO-METER MIN. NICKEL	
③	ネイル NAIL	黄銅 BRASS	
		テール部 TAIL AREA	錫めっき : 1.0 MICRO-METER MIN. MATTE TIN PLATING
		下地めっき UNDER PLATING	ニッケルめっき : 1.0 MICRO-METER MIN. NICKEL

12.7	14.0	17.0	15
11.7	13.0	16.0	14
10.7	12.0	15.0	13
9.7	11.0	14.0	12
8.7	10.0	13.0	11
7.7	9.0	12.0	10
6.7	8.0	11.0	9
5.7	7.0	10.0	8
4.7	6.0	9.0	7
3.7	5.0	8.0	6
C	B	A	極数 CIRCUIT SIZE

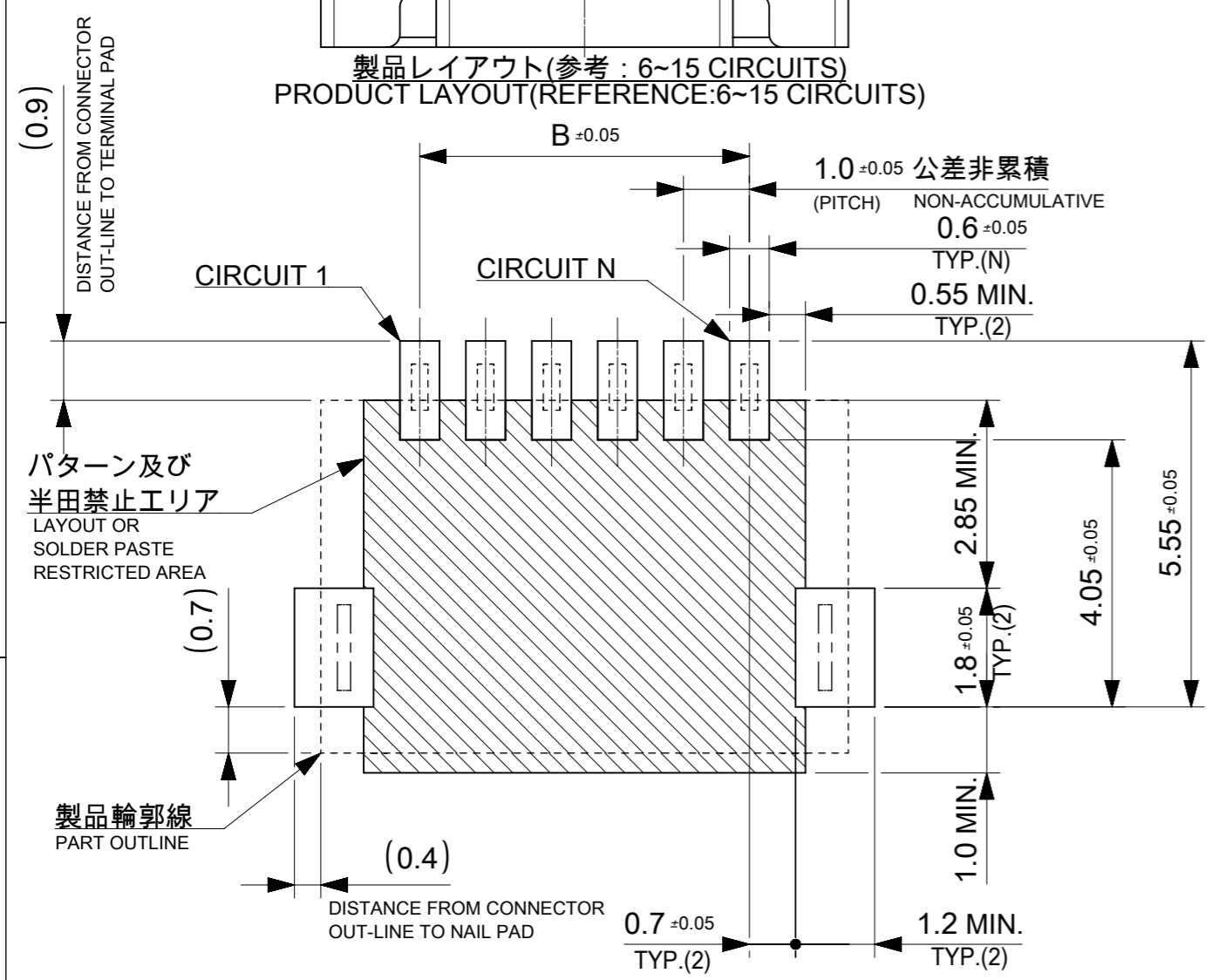
THIS DRAWING CONTAINS INFORMATION THAT IS PROPRIETARY TO MOLEX ELECTRONIC TECHNOLOGIES, LLC AND SHOULD NOT BE USED WITHOUT WRITTEN PERMISSION

DIMENSION UNITS mm	SCALE NTS	CURRENT REV DESC:		molex		
GENERAL TOLERANCES (UNLESS SPECIFIED)		EC NO: 614886				
ANGULAR TOL	± 3.0 °	DRWN: AISHIKAWA	2019/02/18	SINGLE ROW RA SMT INNER LOCK TIN PLATING		
4 PLACES	± 0.2	CHK'D: AIDA	2019/04/03	PRODUCT CUSTOMER DRAWING		
3 PLACES	± 0.2	APPR: KOMURAKAMI	2019/04/05	DOCUMENT NUMBER		
2 PLACES	± 0.2	INITIAL REVISION:		5015680000-SD		
1 PLACE	± 0.2	DRWN: AISHIKAWA	2019/02/18	DOC TYPE	DOC PART	REVISION
0 PLACES	± 0.2	APPR: KOMURAKAMI	2019/04/05	PSD	000	A
DRAFT WHERE APPLICABLE MUST REMAIN WITHIN DIMENSIONS		THIRD ANGLE PROJECTION	DRAWING	SERIES	MATERIAL NUMBER	CUSTOMER
			A3-SIZE	501568	SEE SHEET 6	SHEET NUMBER
						2 OF 6

嵌合相手：501330シリーズ
MATE WITH : 501330 SERIES



製品レイアウト(参考: 6~15 CIRCUITS)
PRODUCT LAYOUT(REFERENCE: 6~15 CIRCUITS)

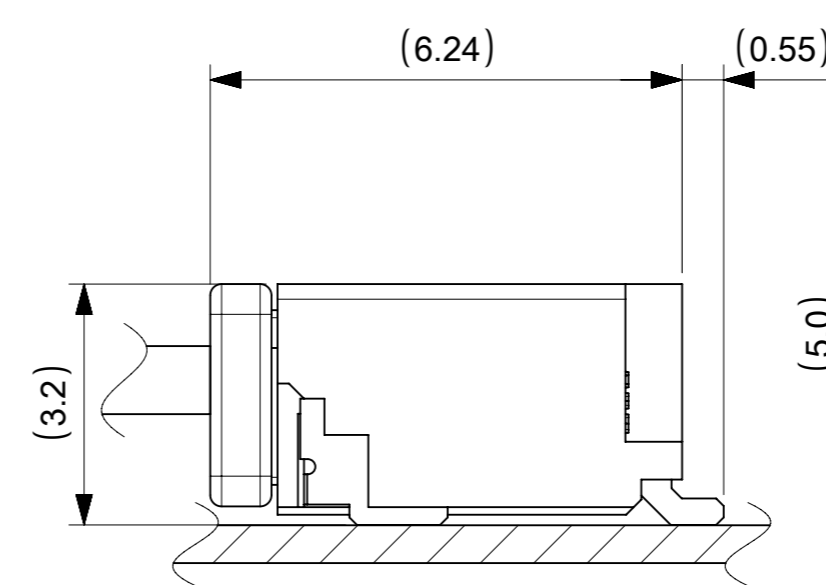
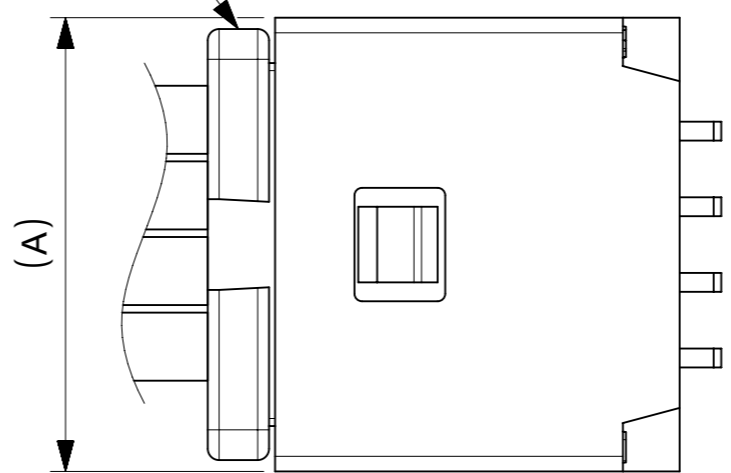


パターン及び
半田禁止エリア
LAYOUT OR
SOLDER PASTE
RESTRICTED AREA

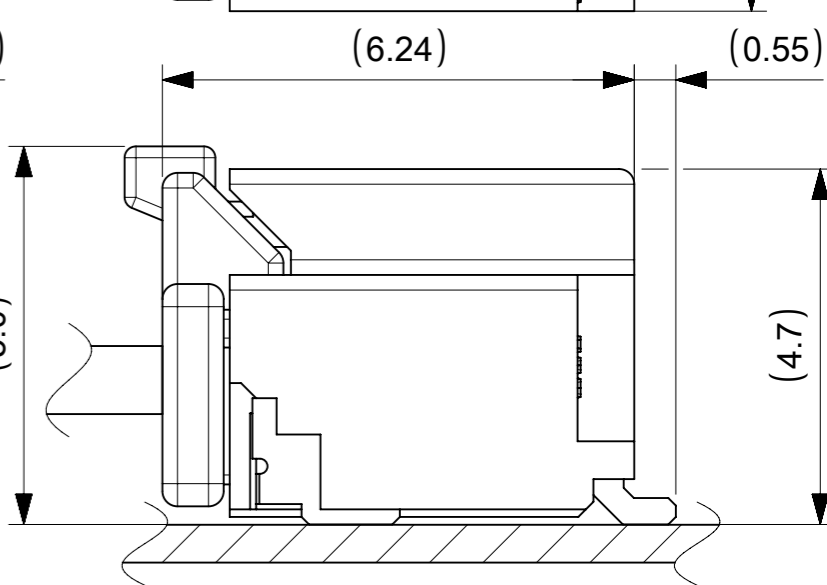
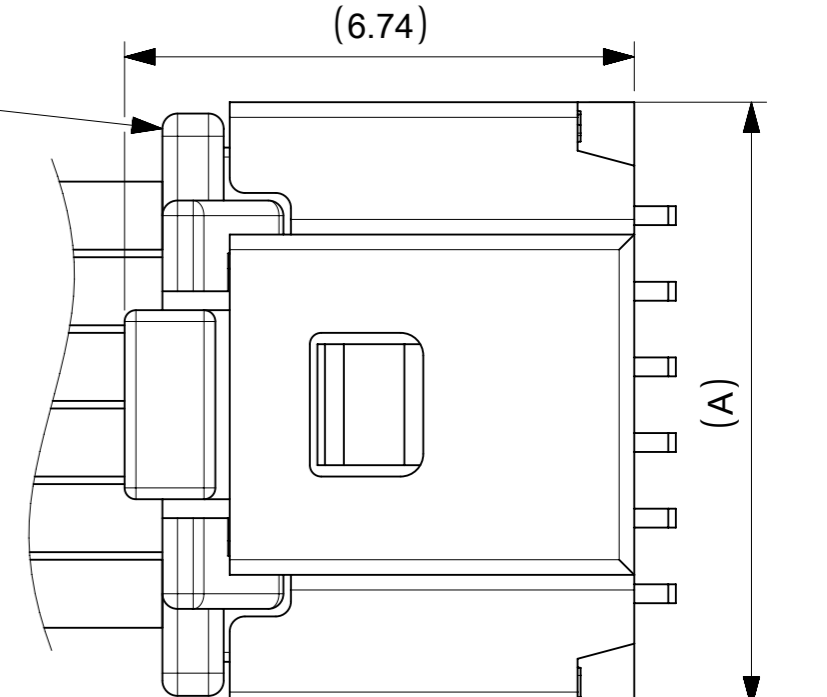
製品輪郭線
PART OUTLINE

推奨基板レイアウト(全極数適応) : 実装面側
(参考 : 基板厚 1.0mm, メタルマスク厚さ 0.12mm, マスク開口率100%)
POLARIZED RECOMMENDED PCB LAYOUT(APPLY TO ALL CIRCUITS) : COMPONENT SIDE
(REFERENCE: PCB THICKNESS 1.0mm, STENCIL THICKNESS 0.12mm, APERTURE RATIO 100%)

:パターン禁止エリア
RESTRICTED AREA
NO PCB COMPONENTS ALLOWED



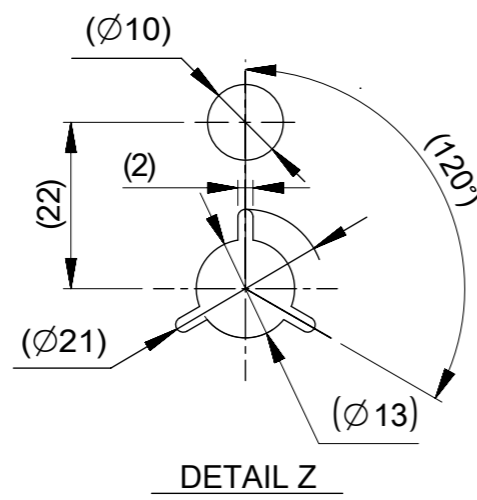
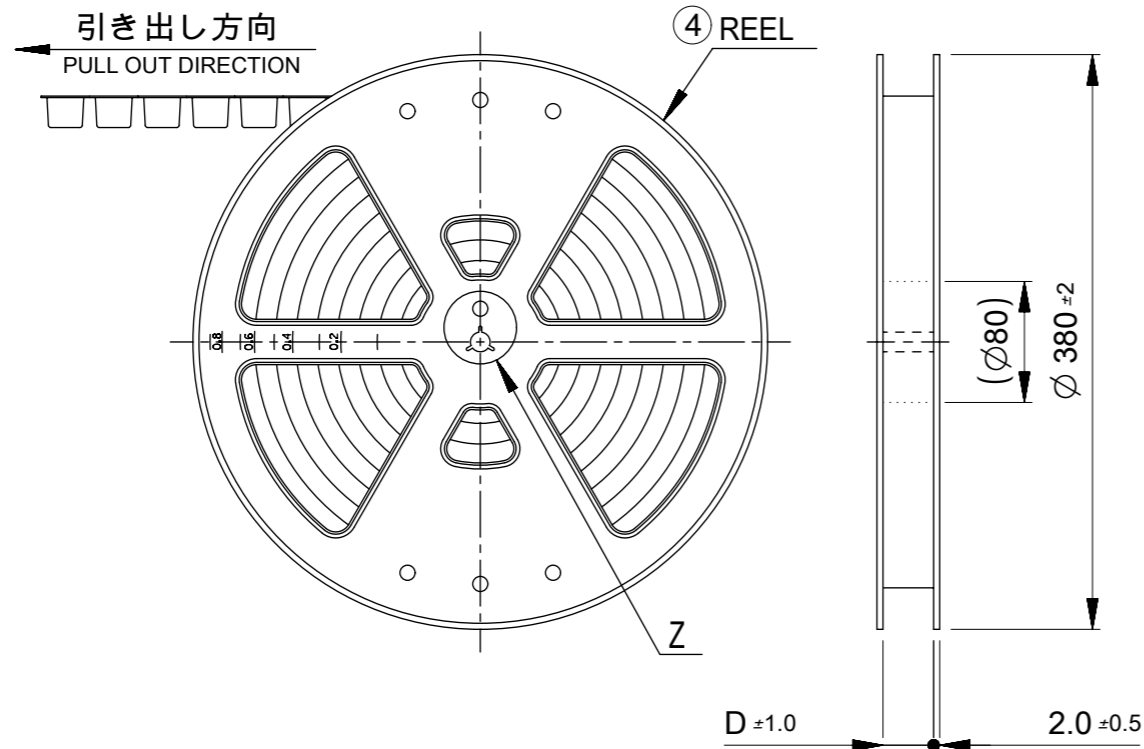
a) 2~5 CIRCUITS



b) 6~15 CIRCUITS

嵌合図
MATED CONNECTORS

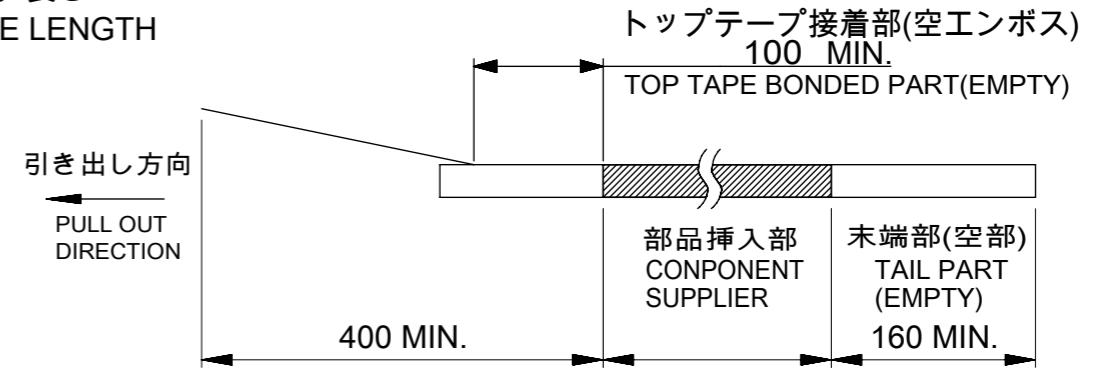
THIS DRAWING CONTAINS INFORMATION THAT IS PROPRIETARY TO MOLEX ELECTRONIC TECHNOLOGIES, LLC AND SHOULD NOT BE USED WITHOUT WRITTEN PERMISSION		CURRENT REV DESC:		molex		
DIMENSION UNITS	SCALE					PICO-CLASP 1.0 W/B SINGLE ROW RA SMT INNER LOCK TIN PLATING
mm	NTS			PRODUCT CUSTOMER DRAWING		
GENERAL TOLERANCES (UNLESS SPECIFIED)		EC NO: 614886		DOCUMENT NUMBER		
ANGULAR TOL	± 3.0 °	DRWN: AISHIKAWA 2019/02/18		5015680000-SD		
4 PLACES	± 0.2	CHK'D: AIDA 2019/04/03		DOC TYPE DOC PART REVISION		
3 PLACES	± 0.2	APPR: KOMURAKAMI 2019/04/05		PSD 000 A		
2 PLACES	± 0.2	INITIAL REVISION:		MATERIAL NUMBER		
1 PLACE	± 0.2	DRWN: AISHIKAWA 2019/02/18		CUSTOMER		
0 PLACES	± 0.2	APPR: KOMURAKAMI 2019/04/05		SEE SHEET 6		
DRAFT WHERE APPLICABLE MUST REMAIN WITHIN DIMENSIONS		THIRD ANGLE PROJECTION	DRAWING	SERIES	SHEET NUMBER	
			A3-SIZE	501568	3 OF 6	



NOTES

10. 梱包数量
 2-5 CIRCUIT: 1700個/リール
 6-15 CIRCUIT: 1300個/リール
 NUMBER OF CONNECTORS
 2-5 CIRCUIT : 1700 PIECES/REEL
 6-15 CIRCUIT : 1300 PIECES/REEL

11. リードテープ長さ
 LEAD TAPE LENGTH



12. トップテープの剥離強度はIEC60286-3に準拠。
 TOP TAPE PEELING FORCE IS DEFINED BY IEC60286-3.
- △13 2~5極品は乾燥剤入り、ハイバリア梱包による納品となります。
 2~5 CIRCUITS IS DELIVERED IN A HIGH BARRIER PACKAGE WITH DESOCCANT.
14. 梱包仕様書 : SPK-501568-001
 PACKAGE SPECIFICATION:
- △15 発注番号 : SHEET 6 参照
 ORDER No. : PLEASE REFER TO SHEET 6 FOR PRODUCT LIST.

501568 - * * * *

極数 CIRCUIT SIZE	ハウジングカラー HOUSING COLOR	製品識別番号 IDENTIFICATION NUMBER
	0:NATURAL(BEIGE)	7:EMBOSSED PACKAGE

33.4	15
	14
	13
25.4	12
	11
	10
	9
	8
17.5	7
	6
	5
	4
D	3
	2
	極数 CIRCUIT SIZE

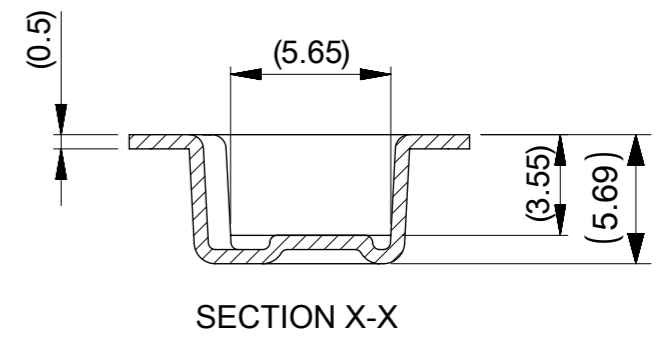
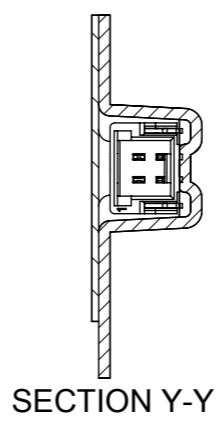
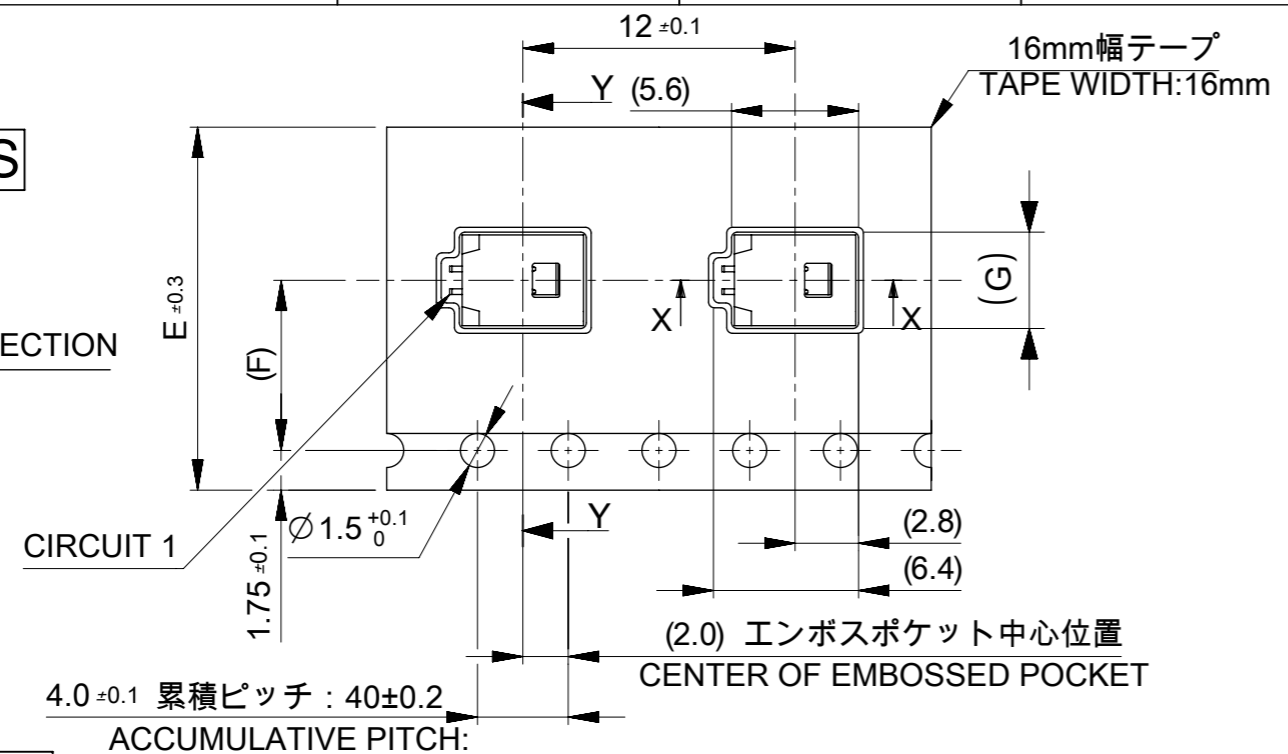
番号 NO.	部品 PART	材質 MATERIAL
④	リール REEL	ポリスチレン(PS) <リサイクル材を含む> POLYSTYRENE(PS) <RECYCLE MATERIAL CONTAINED>

DOCUMENT STATUS	P1	RELEASE DATE	2019/04/05	01:07:47
-----------------	----	--------------	------------	----------

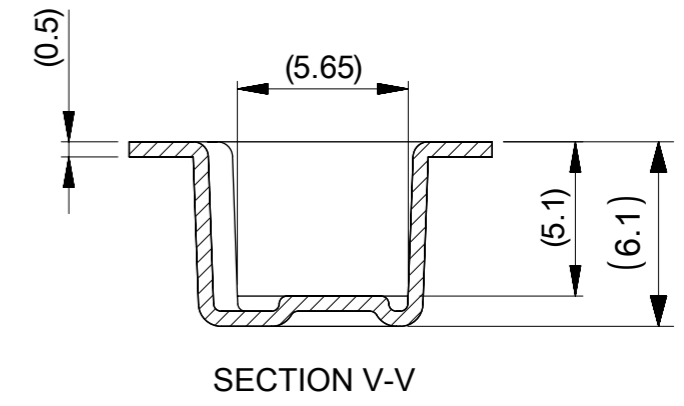
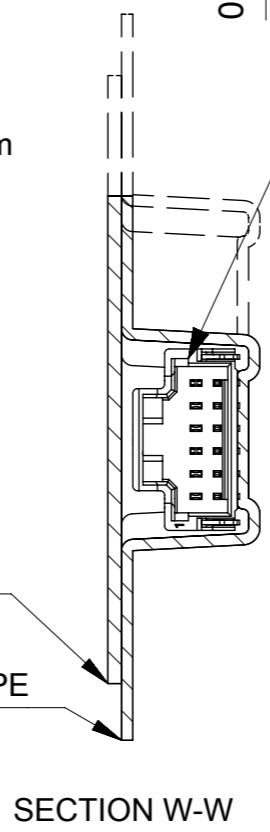
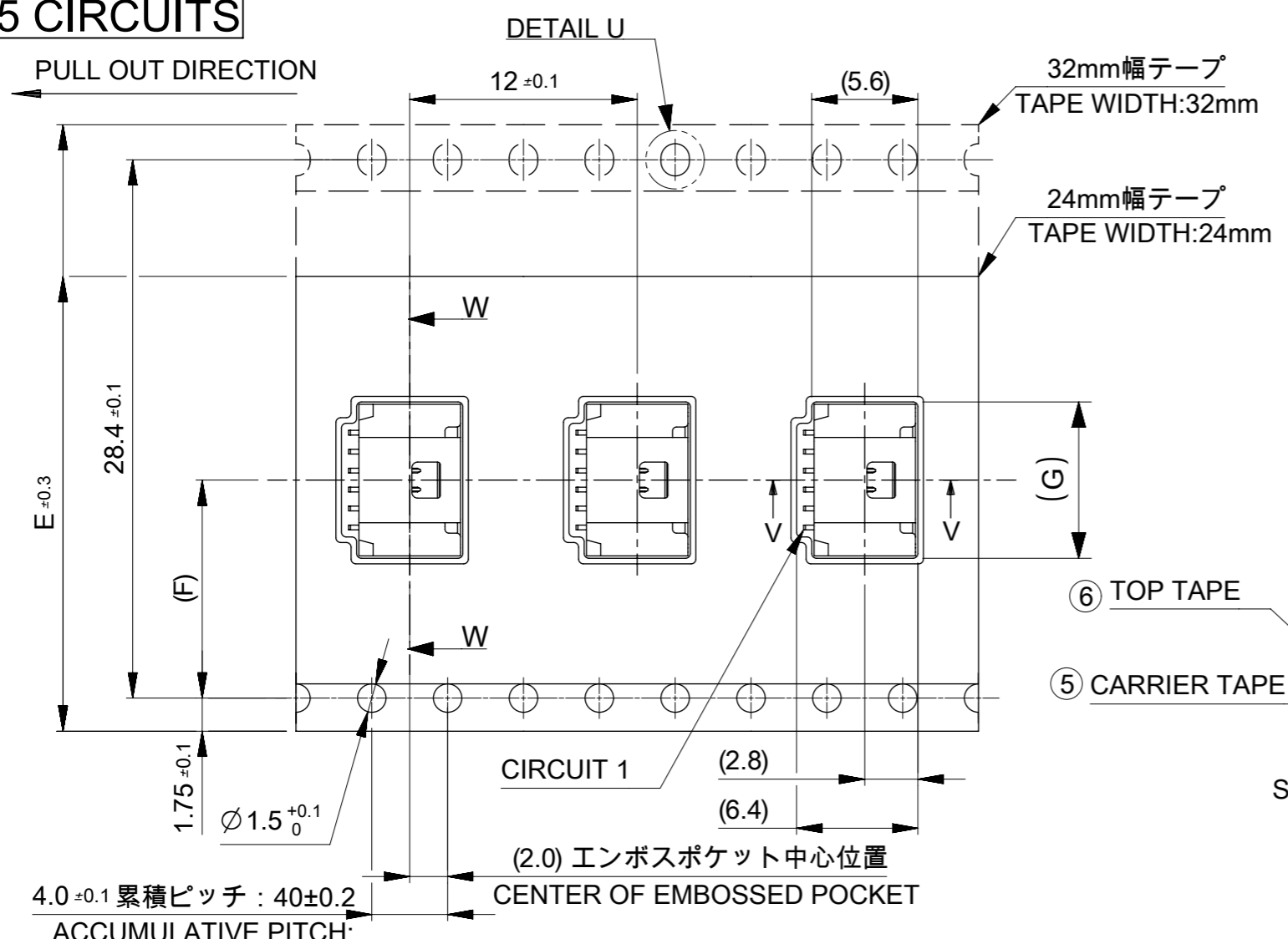
THIS DRAWING CONTAINS INFORMATION THAT IS PROPRIETARY TO MOLEX ELECTRONIC TECHNOLOGIES, LLC AND SHOULD NOT BE USED WITHOUT WRITTEN PERMISSION

DIMENSION UNITS mm	SCALE NTS	CURRENT REV DESC:	molex				
GENERAL TOLERANCES (UNLESS SPECIFIED)	ANGULAR TOL ± 3.0°	EC NO: 614886				PICO-CLASP 1.0 W/B	
4 PLACES ± 0.2	3 PLACES ± 0.2	DRWN: AISHIKAWA 2019/02/18	SINGLE ROW RA SMT INNER LOCK TIN PLATING				
2 PLACES ± 0.2	1 PLACE ± 0.2	CHK'D: AIDA 2019/04/03	PRODUCT CUSTOMER DRAWING				
0 PLACES ± 0.2	DRAFT WHERE APPLICABLE MUST REMAIN WITHIN DIMENSIONS	APPR: KOMURAKAMI 2019/04/05	INITIAL REVISION:	DOCUMENT NUMBER	DOC TYPE	DOC PART	REVISION
			DRWN: AISHIKAWA 2019/02/18	5015680000-SD	PSD	000	A
			APPR: KOMURAKAMI 2019/04/05	MATERIAL NUMBER	CUSTOMER	SHEET NUMBER	
			THIRD ANGLE PROJECTION	SEE SHEET 6		4 OF 6	
			DRAWING	A3-SIZE			
			SERIES	501568			

2~5 CIRCUITS



6~15 CIRCUITS



17.3			15
16.3	14.2	32	14
15.3			13
14.3			12
13.3			11
12.3			10
11.3	11.5	24	9
10.3			8
9.3			7
8.3			6
7.3			5
6.3	7.5	16	4
5.3			3
4.3			2
G	コネクタ中心位置 F CENTER OF CONNECTOR	エンボステープ幅 E WIDTH OF TAPE	極数 CIRCUIT SIZE

THIS DRAWING CONTAINS INFORMATION THAT IS PROPRIETARY TO MOLEX ELECTRONIC TECHNOLOGIES, LLC AND SHOULD NOT BE USED WITHOUT WRITTEN PERMISSION

DIMENSION UNITS	SCALE	CURRENT REV DESC:		molex		
mm	NTS					
GENERAL TOLERANCES (UNLESS SPECIFIED)		EC NO: 614886		PICO-CLASP 1.0 W/B		
ANGULAR TOL ± 3.0°		DRWN: AISHIKAWA 2019/02/18		SINGLE ROW RA SMT INNER LOCK TIN PLATING		
4 PLACES ± 0.2		CHK'D: AIDA 2019/04/03		PRODUCT CUSTOMER DRAWING		
3 PLACES ± 0.2		APPR: KOMURAKAMI 2019/04/05		DOCUMENT NUMBER		
2 PLACES ± 0.2		INITIAL REVISION:		5015680000-SD		
1 PLACE ± 0.2		DRWN: AISHIKAWA 2019/02/18		DOC TYPE		DOC PART
0 PLACES ± 0.2		APPR: KOMURAKAMI 2019/04/05		PSD		000
DRAFT WHERE APPLICABLE MUST REMAIN WITHIN DIMENSIONS		THIRD ANGLE PROJECTION	DRAWING	SERIES	MATERIAL NUMBER	CUSTOMER
			A3-SIZE	501568	SEE SHEET 6	
						SHEET NUMBER
						5 OF 6

番号 NO.	部品 PART	材質 MATERIAL
⑤	キャリアテープ CARRIER TAPE	ポリプロピレン(PP)、その他 POLYPROPYLEN(PP), etc
⑥	トップテープ TOP TAPE	ポリエチレン(PE)、その他 POLYETHYLENE(PE), etc

DOCUMENT STATUS	P1	RELEASE DATE	2019/04/05	01:07:47
-----------------	----	--------------	------------	----------

9 8 7 6 5 4 3 2 1

E

E

D

D

C

C

B

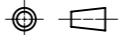
B

A

A

△13 △15 製品一覧 PRODUCT LIST

HOUSING COLOR		
NATURAL(BEIGE)		
501568	1507	15
↑	1407	14
	1307	13
	1207	12
	1107	11
	1007	10
	0907	9
	0807	8
	0707	7
	0607	6
	0507	5
	0407	4
↓	0307	3
501568	0207	2
発注番号 ORDER No.		極数
梱包形態 : エンボスリール		CIRCUIT SIZE
PACKAGE:EMBOSSED REEL		

THIS DRAWING CONTAINS INFORMATION THAT IS PROPRIETARY TO MOLEX ELECTRONIC TECHNOLOGIES, LLC AND SHOULD NOT BE USED WITHOUT WRITTEN PERMISSION									
DIMENSION UNITS		SCALE		CURRENT REV DESC:				molex	
mm		NTS							
GENERAL TOLERANCES (UNLESS SPECIFIED)				EC NO: 614886				PICO-CLASP 1.0 W/B	
ANGULAR TOL ± 3.0 °				DRWN: AISHIKAWA 2019/02/18				SINGLE ROW RA SMT INNER LOCK TIN PLATING	
4 PLACES ± 0.2				CHK'D: AIDA 2019/04/03					
3 PLACES ± 0.2				APPR: KOMURAKAMI 2019/04/05				PRODUCT CUSTOMER DRAWING	
2 PLACES ± 0.2				INITIAL REVISION:				DOCUMENT NUMBER	
1 PLACE ± 0.2				DRWN: AISHIKAWA 2019/02/18				5015680000-SD	
0 PLACES ± 0.2				APPR: KOMURAKAMI 2019/04/05				DOC TYPE	
DRAFT WHERE APPLICABLE MUST REMAIN WITHIN DIMENSIONS		THIRD ANGLE PROJECTION		DRAWING		SERIES		CUSTOMER	
				A3-SIZE		501568		SEE SHEET 6	
								SHEET NUMBER	
								6 OF 6	

DOCUMENT STATUS	P1	RELEASE DATE	2019/04/05	01:07:47
-----------------	----	--------------	------------	----------

9 8 7 6 5 4 3 2 1

Looking for pricing, stock, or lifecycle information?

Click below to explore more details on WIN SOURCE:

 [View 501568-0907 on WIN SOURCE](#)

 [Molex, LLC Information](#)

Optimize Your Supply Chain with WIN SOURCE Solutions

-  Global Sourcing Solution
-  Obsolete Management
-  Cost Control Management
-  Shortage Management
-  Alternative Solution
-  Excess Inventory Management