



**THE DATASHEET OF
PTH12000WAZT**





NOMINAL SIZE = 0.75 in x 0.5 in
(19,05 mm x 12,7 mm)

Features

- Up to 6-A Output Current
- 12-V Input Voltage
- Wide-Output Voltage Adjust (1.2 V to 5.5 V)/(0.8 V to 1.8 V)
- 230 W/in³ Power Density
- Efficiencies up to 92 %
- Pre-Bias Startup
- On/Off Inhibit
- Under-Voltage Lockout
- Output Over-Current Protection (Non-Latching, Auto-Reset)
- Operating Temp: -40 to +85 °C
- Surface Mount Package
- Safety Agency Approvals: UL/cUL 60950, EN60950 VDE

Description

The PTH12000 series of non-isolated power modules are small in size and high on performance. Using double-sided surface mount construction and synchronous rectification technology, these regulators deliver up to 6 A of output current while occupying a PCB area of about half the size of a standard postage stamp. They are an ideal choice for applications where space, performance and cost are important design constraints.

The series operates from an input voltage of 12 V to provide step-down power conversion to a wide range of output voltages. W-suffix devices are adjustable from 1.2 V to 5.5 V, and L-suffix devices are adjustable from 0.8 V to 1.8 V. The out-

put voltage is set within the adjustment range using a single external resistor.

Operating features include an on/off inhibit, output voltage adjust (trim), and the ability to start up into an existing output voltage or prebias. A non-latching over-current trip provides protection against load faults.

Target applications include telecom, industrial, and general purpose circuits, including low-power dual-voltage systems that use a DSP, microprocessor, or ASIC.

Package options include both through-hole and surface mount configurations.

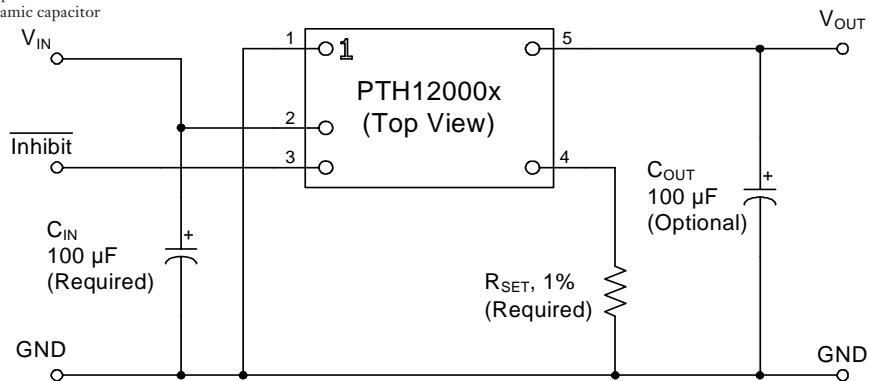
Pin Configuration

| Pin | Function |
|-----|-----------------------|
| 1 | GND |
| 2 | V _{in} |
| 3 | Inhibit* |
| 4 | V _o Adjust |
| 5 | V _{out} |

* Denotes negative logic:
Open = Output On
Ground = Output Off

Standard Application

- R_{set} = Required to set the output voltage higher than the lowest value (see spec. table for values).
- C₁ = Required 100 μF capacitor
- C₂ = Optional 100 μF capacitor
- C₃ = Optional 10 μF ceramic capacitor



Ordering Information

| Output Voltage (PTH12000rxx) | | Package Options (PTH12000xrr) ⁽¹⁾ | | |
|------------------------------|------------------------|--|------------------------------|-------------------------|
| Code | Voltage | Code | Description | Pkg Ref. ⁽²⁾ |
| W | 1.2 V – 5.5 V (Adjust) | AH | Horiz. T/H | (EUS) |
| L | 0.8 V – 1.8 V (Adjust) | AS | SMD, Standard ⁽³⁾ | (EUT) |

- Notes:** (1) Add “T” to end of part number for tape and reel on SMD packages only.
 (2) Reference the applicable package reference drawing for the dimensions and PC board layout
 (3) “Standard” option specifies 63/37, Sn/Pb pin solder material.

Pin Descriptions

Vin: The positive input voltage power node to the module, which is referenced to common GND.

Vout: The regulated positive power output with respect to the GND node.

GND: This is the common ground connection for the ‘Vin’ and ‘Vout’ power connections. It is also the 0 VDC reference for the ‘Inhibit’ and ‘Vo Adjust’ control inputs.

Inhibit: The Inhibit pin is an open-collector/drain negative logic input that is referenced to GND. Applying a low-level ground signal to this input disables the module’s output and turns off the output voltage. When the Inhibit control is active, the input current drawn by the regulator is significantly reduced. If the Inhibit pin is left open-circuit, the module will produce an output whenever a valid input source is applied.

Vo Adjust: A 1-% resistor must be connected between this pin and GND (pin 1) to set the output voltage of the module higher than its lowest value. The temperature stability of the resistor should be 100 ppm/°C (or better). The set-point range is 1.2 V to 5.5 V for W-suffix devices, and 0.8 V to 1.8 V for L-suffix devices. The resistor value required for a given output voltage may be calculated using a formula. If left open circuit, the output voltage will default to its lowest value. For further information on output voltage adjustment consult the related application note.

The specification tables also give the preferred resistor values for a number of standard output voltages.

Environmental & Absolute Maximum Ratings (Voltages are with respect to GND)

| Characteristics | Symbols | Conditions | Min | Typ | Max | Units |
|--------------------------------|---------------------|--|--------------------|-----|---------------------|-------|
| Operating Temperature Range | T _a | Over V _{in} Range | -40 ⁽ⁱ⁾ | — | +85 | °C |
| Solder Reflow Temperature(AS) | T _{reflow} | Surface temperature of module body or pins | — | — | 235 ⁽ⁱⁱ⁾ | °C |
| Solder Reflow Temperature(AZ) | T _{reflow} | Surface temperature of module body or pins | — | — | 260 ⁽ⁱⁱ⁾ | °C |
| Wave Solder Temperature(AH/AD) | T _{wave} | Surface temperature of module body or pins(5 seconds) | — | — | 260 ⁽ⁱⁱ⁾ | °C |
| Storage Temperature | T _s | — | -55 | — | +125 | °C |
| Mechanical Shock | — | Per Mil-STD-883D, Method 2002.3 1 msec, ½ sine, mounted | — | 500 | — | G |
| Mechanical Vibration | — | Mil-STD-883D, Method 2007.2 20-2000 Hz | — | 15 | — | G |
| Weight | — | — | — | 2 | — | grams |
| Flammability | — | Meets UL 94V-O | — | — | — | — |

- Notes:** (i) For operation below 0 °C the external capacitors must have stable characteristics. Use either a low ESR tantalum, Oscon, or ceramic capacitor.
 (ii) During soldering of package version do not elevate peak temperature of the module, pins or internal components above the stated maximum.

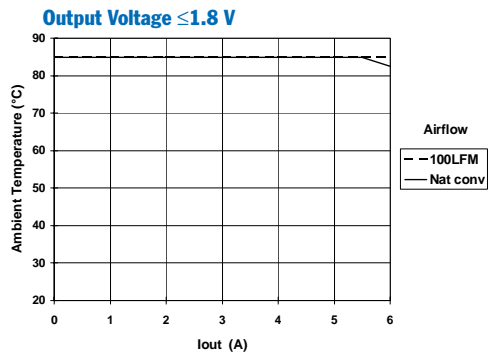
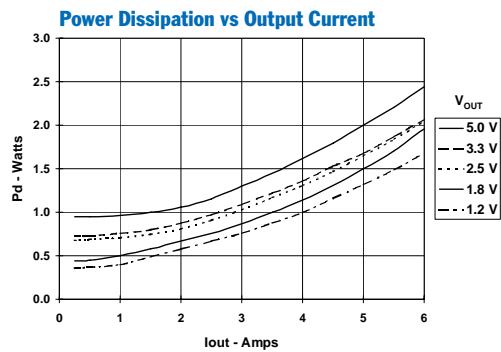
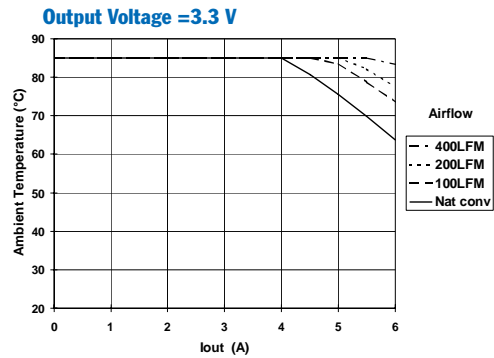
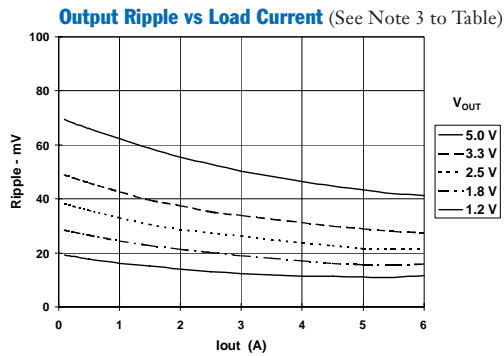
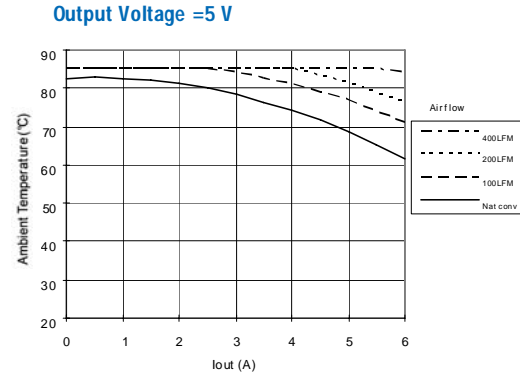
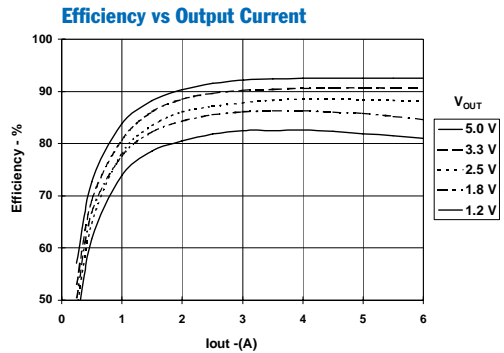
Electrical Specifications Unless otherwise stated, $T_a = 25^\circ\text{C}$, $V_{in} = 12\text{ V}$, $V_o = 3.3\text{ V}$, $C_1 = 100\ \mu\text{F}$, $C_2 = 0\ \mu\text{F}$, $C_3 = 0\ \mu\text{F}$, and $I_o = I_{o,max}$

| Characteristics | Symbols | Conditions | PTH12000W | | | Units |
|---|----------------------------------|---|---------------------------------|--|---------------------------------|-----------------------------------|
| | | | Min | Typ | Max | |
| Output Current | I_o | Over ΔV_{adj} range $T_a = 60^\circ\text{C}$, 200 LFM $T_a = 25^\circ\text{C}$, natural convection | 0 0 | — — | 6 (1) 6 (1) | A |
| Input Voltage Range | V_{in} | Over I_o range | 10.8 | — | 13.2 | V |
| Set-Point Voltage Tolerance | $V_o\text{tol}$ | | — | — | ± 2 (2) | % V_o |
| Temperature Variation | ΔReg_{temp} | $-40^\circ\text{C} < T_a < +85^\circ\text{C}$ | — | ± 0.5 | — | % V_o |
| Line Regulation | ΔReg_{line} | Over V_{in} range | — | ± 5 | — | mV |
| Load Regulation | ΔReg_{load} | Over I_o range | — | ± 5 | — | mV |
| Total Output Variation | ΔReg_{tot} | Includes set-point, line, load, $-40^\circ\text{C} \leq T_a \leq +85^\circ\text{C}$ | — | — | ± 3 (2) | % V_o |
| Output Voltage Adjust Range | ΔV_{adj} | Over V_{in} range | 1.2 | — | 5.5 | V |
| Efficiency | η | $V_{in} = 12\text{ V}$, $I_o = 4\text{ A}$ $R_{SET} = 280\ \Omega$ $V_o = 5.0\text{ V}$ $R_{SET} = 2.0\ \text{k}\Omega$ $V_o = 3.3\text{ V}$ $R_{SET} = 4.32\ \text{k}\Omega$ $V_o = 2.5\text{ V}$ $R_{SET} = 8.06\ \text{k}\Omega$ $V_o = 2.0\text{ V}$ $R_{SET} = 11.5\ \text{k}\Omega$ $V_o = 1.8\text{ V}$ $R_{SET} = 24.3\ \text{k}\Omega$ $V_o = 1.5\text{ V}$ $R_{SET} = \text{open cct}$ $V_o = 1.2\text{ V}$ | — — — — — — — | 92 90 88 87 86 84 82 | — — — — — — — | % |
| V_o Ripple (pk-pk) | V_r | 20 MHz bandwidth, $I_o = 4\text{ A}$ $C_3 = 10\ \mu\text{F}$ ceramic $V_o \geq 3.3\text{ V}$ $V_o \leq 2.5\text{ V}$ | — — | 50 (3) 25 (3) | — — | mVpp |
| Transient Response | t_{tr} ΔV_{tr} | 1 A/ μs load step, 50 to 100 % $I_{o,max}$, $V_o = 1.8\text{ V}$, $C_2 = 100\ \mu\text{F}$ Recovery time V_o over/undershoot | — — | 70 100 | — — | μSec mV |
| Over-Current Threshold | I_o trip | Reset followed by auto-recovery | — | 12 | — | A |
| Under-Voltage Lockout | UVLO | V_{in} increasing V_{in} decreasing | — 8.8 | — — | 10.4 — | V |
| Inhibit Control (pin 3) Input High Voltage Input Low Voltage Input Low Current | V_{IH} V_{IL} I_{IL} | Referenced to GND Pin 3 to GND | $V_{in} - 0.5$ -0.2 | — — | Open (4) 0.5 | V |
| Standby Input Current | $I_{in, standby}$ | pins 1 & 3 connected | — | 1 | — | mA |
| Switching Frequency | f_s | Over V_{in} and I_o ranges | 300 | 350 | 400 | kHz |
| External Input Capacitance | C_{in} | | 100 (5) | — | — | μF |
| External Output Capacitance | C_{out} | Capacitance value non-ceramic ceramic Equiv. series resistance (non-ceramic) | 0 0 4 (8) | 100 (6) — — | 3,300 (7) 300 — | μF $\text{m}\Omega$ |
| Reliability | MTBF | Per Bellcore TR-332 50 % stress, $T_a = 40^\circ\text{C}$, ground benign | 9.4 | — | — | 10^6 Hrs |

- Notes:** (1) See SOA curves or consult factory for appropriate derating.
 (2) The set-point voltage tolerance is affected by the tolerance and stability of R_{SET} . The stated limit is unconditionally met if R_{SET} has a tolerance of 1% with 100 ppm/ $^\circ\text{C}$ or better temperature stability.
 (3) The pk-pk output ripple voltage is measured with an external 10 μF ceramic capacitor. See the standard application schematic.
 (4) The Inhibit control (pin 3) has an internal pull-up to V_{in} , and if left open-circuit the module will operate when input power is applied. A small low-leakage (<100 nA) MOSFET is recommended to control this input. See application notes for more information.
 (5) The regulator requires a minimum of 100 μF input capacitor with a minimum 750 mA rms ripple current rating. For further information, consult the related application note on Capacitor Recommendations.
 (6) An external output capacitor is not required for basic operation. Adding 100 μF of distributed capacitance at the load will improve the transient response.
 (7) This is the calculated maximum. The minimum ESR limitation will often result in a lower value. Consult the application notes for further guidance.
 (8) This is the typical ESR for all the electrolytic (non-ceramic) output capacitance. Use 7 $\text{m}\Omega$ as the minimum when using max-ESR values to calculate.

PTH12000W Characteristic Data; $V_{in} = 12\text{ V}$ (See Note A)

PTH12000W Safe Operating Area; $V_{in} = 12\text{ V}$ (See Note B)



Note A: Characteristic data has been developed from actual products tested at 25°C. This data is considered typical data for the Converter.

Note B: SOA curves represent the conditions at which internal components are at or below the manufacturer's maximum operating temperatures. Derating limits apply to modules soldered directly to a 4 in. × 4 in. double-sided PCB with 1 oz. copper.

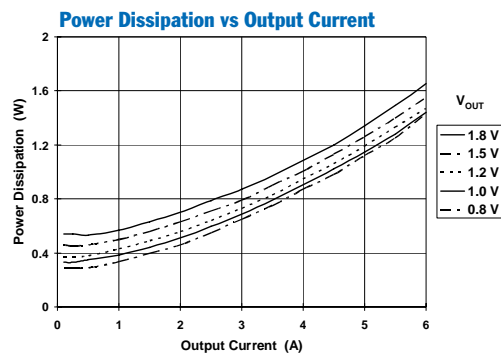
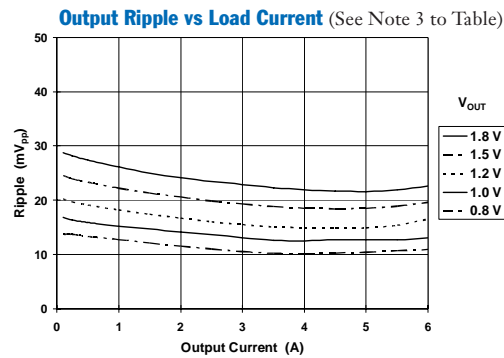
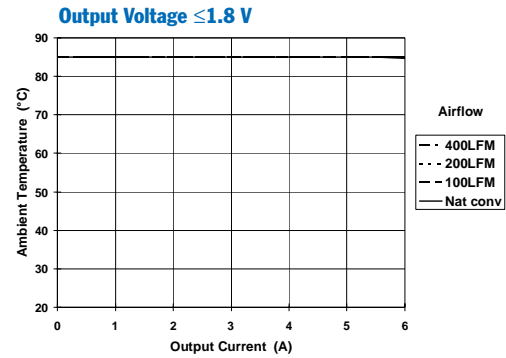
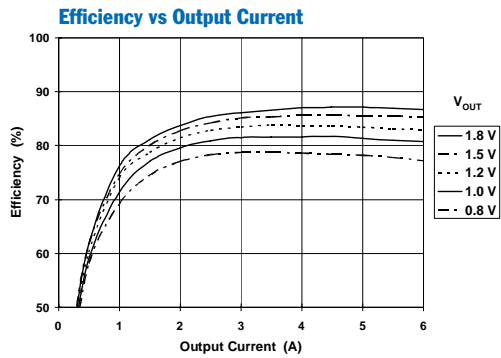
Electrical Specifications Unless otherwise stated, $T_a = 25^\circ\text{C}$, $V_{in} = 12\text{ V}$, $V_o = 1.8\text{ V}$, $C_1 = 100\ \mu\text{F}$, $C_2 = 0\ \mu\text{F}$, $C_3 = 0\ \mu\text{F}$, and $I_o = I_{o,max}$

| Characteristics | Symbols | Conditions | PTH12000L | | | Units |
|---|----------------------------------|--|------------------------|----------------------------|------------------|-----------------------------|
| | | | Min | Typ | Max | |
| Output Current | I_o | Over ΔV_{adj} range, $T_a = 85^\circ\text{C}$, natural convection | 0 | — | 6 | A |
| Input Voltage Range | V_{in} | Over I_o range | 10.8 | — | 13.2 | V |
| Set-Point Voltage Tolerance | $V_o\text{ tol}$ | | — | — | ± 2 (1) | $\%V_o$ |
| Temperature Variation | ΔReg_{temp} | $-40^\circ\text{C} < T_a < +85^\circ\text{C}$ | — | ± 0.5 | — | $\%V_o$ |
| Line Regulation | ΔReg_{line} | Over V_{in} range | — | ± 5 | — | mV |
| Load Regulation | ΔReg_{load} | Over I_o range | — | ± 5 | — | mV |
| Total Output Variation | ΔReg_{tot} | Includes set-point, line, load, $-40^\circ\text{C} \leq T_a \leq +85^\circ\text{C}$ | — | — | ± 3 (1) | $\%V_o$ |
| Output Voltage Adjust Range | ΔV_{adj} | Over V_{in} range | 0.8 | — | 1.8 | V |
| Efficiency | η | $V_{in} = 12\text{ V}$, $I_o = 4\text{ A}$ $R_{SET} = 130\ \Omega$ $V_o = 1.8\text{ V}$ $R_{SET} = 3.57\ \text{k}\Omega$ $V_o = 1.5\text{ V}$ $R_{SET} = 12.1\ \text{k}\Omega$ $V_o = 1.2\text{ V}$ $R_{SET} = 32.4\ \text{k}\Omega$ $V_o = 1.0\text{ V}$ $R_{SET} = \text{Open cct}$ $V_o = 0.8\text{ V}$ | — | 87 86 85 82 79 | — | % |
| V_o Ripple (pk-pk) | V_r | 20 MHz bandwidth, $I_o = 4\text{ A}$ $C_3 = 10\ \mu\text{F}$ ceramic $V_o > 1.2\text{ V}$ $V_o \leq 1.2\text{ V}$ | — | 25 (2) 20 (2) | — | mVpp |
| Transient Response | t_{tr} ΔV_{tr} | 1 A/ μs load step, 50 to 100 % $I_{o,max}$, $V_o = 1.8\text{ V}$, $C_2 = 100\ \mu\text{F}$ Recovery time V_o over/undershoot | — | 70 100 | — | μSec mV |
| Over-Current Threshold | I_o trip | Reset followed by auto-recovery | — | 12 | — | A |
| Under-Voltage Lockout | UVLO | V_{in} increasing V_{in} decreasing | — 8.8 | — | 10.4 — | V |
| Inhibit Control (pin 3) Input High Voltage Input Low Voltage Input Low Current | V_{IH} V_{IL} I_{IL} | Referenced to GND Pin 3 to GND | $V_{in} - 0.5$ -0.2 | — | Open (3) 0.5 | V |
| Standby Input Current | I_{in} standby | pins 1 & 3 connected | — | 1 | — | mA |
| Switching Frequency | f_s | Over V_{in} and I_o ranges | 200 | 250 | 300 | kHz |
| External Input Capacitance | C_{in} | | 100 (4) | — | — | μF |
| External Output Capacitance | C_{out} | Capacitance value non-ceramic ceramic Equiv. series resistance (non-ceramic) | 0 0 4 (7) | 100 (5) — | 3,300 (6) 300 | μF m Ω |
| Reliability | MTBF | Per Bellcore TR-332 50 % stress, $T_a = 40^\circ\text{C}$, ground benign | 9.4 | — | — | 10^6 Hrs |

- Notes:** (1) The set-point voltage tolerance is affected by the tolerance and stability of R_{SET} . The stated limit is unconditionally met if R_{SET} has a tolerance of 1% with 100 ppm/ $^\circ\text{C}$ or better temperature stability.
 (2) The pk-pk output ripple voltage is measured with an external 10 μF ceramic capacitor. See the standard application schematic.
 (3) The Inhibit control (pin 3) has an internal pull-up to V_{in} , and if left open-circuit the module will operate when input power is applied. A small low-leakage (<100 nA) MOSFET is recommended to control this input. See application notes for more information.
 (4) The regulator requires a minimum of 100 μF input capacitor with a minimum 750 mA r_{ms} ripple current rating. For further information, consult the related application note on Capacitor Recommendations.
 (5) An external output capacitor is not required for basic operation. Adding 100 μF of distributed capacitance at the load will improve the transient response.
 (6) This is the calculated maximum. The minimum ESR limitation will often result in a lower value. Consult the application notes for further guidance.
 (7) This is the typical ESR for all the electrolytic (non-ceramic) output capacitance. Use 7 m Ω as the minimum when using max-ESR values to calculate.

PTH12000L Characteristic Data, $V_{in} = 12\text{ V}$ (See Note A)

PTH12000L Safe Operating Area; $V_{in} = 12\text{ V}$ (See Note B)



Note A: Characteristic data has been developed from actual products tested at 25°C. This data is considered typical data for the Converter.

Capacitor Recommendations for the PTH12000 Wide-Output Adjust Power Modules

Input Capacitor

The recommended input capacitance is determined by the 100 μF minimum capacitance and 750 mArms minimum ripple current rating. A 10- μF X5R/X7R ceramic capacitor may also be added to reduce the reflected input ripple current [3]. The ceramic capacitor should be located between the input electrolytic and the module.

Ripple current, less than 150 m Ω equivalent series resistance (ESR) and temperature are major considerations when selecting input capacitors. Unlike polymer-tantalum capacitors, regular tantalum capacitors have a recommended minimum voltage rating of $2 \times$ (max. DC voltage + AC ripple). This is standard practice to ensure reliability. No tantalum capacitors were found with sufficient voltage rating to meet this requirement. At temperatures below 0 $^{\circ}\text{C}$, the ESR of aluminum electrolytic capacitors increases. For these applications Os-Con, polymer-tantalum, and polymer-aluminum types should be considered.

Output Capacitors (Optional)

For applications with load transients (sudden changes in load current), regulator response will benefit from external output capacitance. The value of 100 μF is used to define the transient response specification (see data sheet). For most applications, a high quality computer-grade aluminum electrolytic capacitor is adequate. These capacitors provide decoupling over the frequency range, 2 kHz to 150 kHz, and are suitable for ambient temperatures above 0 $^{\circ}\text{C}$. Below 0 $^{\circ}\text{C}$, tantalum, ceramic or Os-Con type capacitors are recommended. When using one or more non-ceramic capacitors, the calculated equivalent ESR should be no lower than 4 m Ω (7 m Ω using the manufacturer's maximum ESR for a single capacitor). A list of preferred low-ESR type capacitors are identified in Table 1-1.

In addition to electrolytic capacitance, adding a 10- μF X5R/X7R ceramic capacitor to the output will reduce the output ripple voltage and improve the regulator's transient response. The measurement of both the output ripple and transient response is also best achieved across a 10- μF ceramic capacitor.

Ceramic Capacitors

Above 150 kHz the performance of aluminum electrolytic capacitors is less effective. Multilayer ceramic capacitors have very low ESR and a resonant frequency higher than the bandwidth of the regulator. They can be used to reduce the reflected ripple current at the input [3] and improve the transient response of the output. When used on the output their combined ESR is not critical as long as the total value of ceramic capacitance does not exceed 300 μF . Also, to prevent the formation of local resonances, do not place more than five identical ceramic capacitors in parallel with values of 10 μF or greater.

Tantalum Capacitors

Tantalum type capacitors are most suited for use on the output bus, and are recommended for applications where the ambient operating temperature can be less than 0 $^{\circ}\text{C}$. The AVX TPS, Sprague 593D/594/595 and Kemet T495/T510 capacitor series are suggested over other tantalum types due to their higher rated surge, power dissipation, and ripple current capability. As a caution many general purpose tantalum capacitors have considerably higher ESR, reduced power dissipation and lower ripple current capability. These capacitors are also less reliable as they have lower power dissipation and surge current ratings. Tantalum capacitors that do not have a stated ESR or surge current rating are not recommended for power applications.

When specifying Os-con and polymer tantalum capacitors for the output, the minimum ESR limit will be encountered well before the maximum capacitance value is reached.

Capacitor Table

Table 1-1 identifies the characteristics of capacitors from a number of vendors with acceptable ESR and ripple current (rms) ratings. The recommended number of capacitors required at both the input and output buses is identified for each capacitor type.

This is not an extensive capacitor list. Capacitors from other vendors are available with comparable specifications. Those listed are for guidance. The RMS ripple current rating and ESR (at 100 kHz) are critical parameters necessary to insure both optimum regulator performance and long capacitor life.

Designing for Very Fast Load Transients

The transient response of the DC/DC converter has been characterized using a load transient with a di/dt of 1 A/ μs . The typical voltage deviation for this load transient is given in the data sheet specification table using the optional value of output capacitance. As the di/dt of a transient is increased, the response of a converter's regulation circuit ultimately depends on its output capacitor decoupling network. This is an inherent limitation with any DC/DC converter once the speed of the transient exceeds its bandwidth capability. If the target application specifies a higher di/dt or lower voltage deviation, the requirement can only be met with additional output capacitor decoupling. In these cases special attention must be paid to the type, value and ESR of the capacitors selected.

If the transient performance requirements exceed that specified in the data sheet, the selection of output capacitors becomes more important.

Table 1-1: Input/Output Capacitors

| Capacitor Vendor/ Type Series (Style) | Capacitor Characteristics | | | | | Quantity | | Vendor Number |
|--|--------------------------------|--------------------------------------|--|---|---------------------------------------|--------------------------------------|------------------------------|--|
| | Working Voltage | Value (µF) | Max. ESR @ 100 kHz | Max. Ripple at 85 °C Current (Irms) | Physical Size (mm) | Input Bus | Output Bus | |
| Panasonic, Aluminum FC (Radial) FK (SMD) | 25 V 35 V 25 V | 330 µF 180 µF 470 µF | 0.090 Ω 0.090 Ω 0.080 Ω | 755 mA 755 mA 850 mA | 10×12.5 10×12.5 10×10.2 | 1 1 1 | 1 1 1 | EEUFC1E331 EEUFC1V181 EEVFK1E471P |
| United Chemi-con PXA, Poly-Aluminum (SMD) FP, Os-con (Radial) FS, Os-con (Radial) LXZ, Aluminum (Radial) | 16 V 20 V 20 V 35 V | 150 µF 120 µF 100 µF 220 µF | 0.026 Ω 0.024 Ω 0.030 Ω 0.090 Ω | 3430 mA 3100 mA 2740 mA 760 mA | 10×7.7 8×10.5 8×10.5 10×12.5 | 1 1 1 1 | ≤4 ≤4 ≤4 1 | PXA16VC151MJ80TP 20FP120MG 20FS100M LXZ35VB221M10X12LL |
| Nichicon Aluminum HD, (Radial) PM, (Radial) | 25 V 35 V | 220 µF 220 µF | 0.072 Ω 0.090 Ω | 760 mA 770 mA | 8×11.5 10×15 | 1 1 | 1 1 | UHD1E221MPR UPM1V221MHH6 |
| Panasonic, Poly-Aluminum: WA (SMD) S/SE (SMD) | 16 V 6.3 V | 100 µF 180 µF | 0.039 Ω 0.005 Ω | 2500 mA 4000 mA | 8×6.9 7.3×4.3×4.2 | 1 N/R [2] | ≤5 ≤1 [1] | EEFWA1C101P EEFSE0J181R (V _o ≤5.1V) |
| Sanyo SVP, Os-con (SMD) SP, Os-con (Radial) TPE, Pos-Ccap (SMD) | 20 V 20 V 10 V | 100 µF 120 µF 220 µF | 0.024 Ω 0.024 Ω 0.025 Ω | >3300 mA >3100 mA >2400 mA | 8×12 8×10.5 7.3×5.7 | 1 1 1 | ≤4 ≤4 ≤4 | 20SVP100M 20SP120M 10TPE220ML |
| AVX, Tantalum TPS (SMD) | 10 V 10 V 25 V | 100 µF 220 µF 68 µF | 0.100 Ω 0.100 Ω 0.095 Ω | >1090 mA >1414 mA >1451 mA | 7.3L ×4.3W ×4.1H | N/R [2] N/R [2] 2 | ≤5 ≤5 ≤5 | TPSD107M010R0100 TPSV227M010R0100 TPSV686M025R0095 |
| Kemet T520, Poy-Tant (SMD) T495, Tantalum (SMD) | 10 V 10 V | 100 µF 100 µF | 0.080 Ω 0.100 Ω | 1200 mA >1100 mA | 7.3L×5.7W ×4.0H | N/R [2] N/R [2] | ≤5 ≤5 | T520D107M010AS T495X107M010AS |
| Vishay-Sprague 594D, Tantalum (SMD) 94SP, Organic (Radial) | 10 V 25 V 16 V | 150 µF 68 µF 100 µF | 0.090 Ω 0.095 Ω 0.070 Ω | 1100 mA 1600 mA 2890 mA | 7.3L×6.0W ×4.1H 10×10.5 | N/R [2] 2 1 | ≤5 ≤5 ≤5 | 594D157X0010C2T 594D686X0025R2T 94SP107X0016FBP |
| Kemet, Ceramic X5R (SMD) | 16 V 6.3 V | 10 µF 47 µF | 0.002 Ω 0.002 Ω | — | 1210 case 3225 mm | 1 [3] N/R [2] | ≤5 ≤5 [1] | C1210C106M4PAC C1210C476K9PAC (V _o ≤5.1V) |
| Murata, Ceramic X5R (SMD) | 6.3 V 6.3 V 16 V 16 V | 100 µF 47 µF 22 µF 10 µF | 0.002 Ω | — | 1210 case 3225 mm | N/R [2] N/R [2] 1 [3] 1 [3] | ≤3 [1] ≤5 [1] ≤5 ≤5 | GRM32ER60J107M (V _o ≤5.1V) GRM32ER60J476M (V _o ≤5.1V) GRM32ER61C226K GRM32DR61C106K |
| TDK, Ceramic X5R (SMD) | 6.3 V 6.3 V 16 V 16 V | 100 µF 47 µF 22 µF 10 µF | 0.002 Ω | — | 1210 case 3225 mm | N/R [2] N/R [2] 1 [3] 1 [3] | ≤3 [1] ≤5 [1] ≤5 ≤5 | C3225X5R0J107MT (V _o ≤5.1V) C3225X5R0J476MT (V _o ≤5.1V) C3225X5R1C226MT C3225X5R1C106MT |

[1] The voltage rating of this capacitor only allows it to be used for output voltages that are equal to or less than 5.1 V

[2] N/R –Not recommended. The capacitor voltage rating does not meet the minimum derated operating limits.

[3] A ceramic capacitor may be used to complement electrolytic types at the input to further reduce high-frequency ripple current.

Adjusting the Output Voltage of the PTH12000x Wide-Output Adjust Power Modules

The $V_o Adjust$ control (pin 4) sets the output voltage of the PTH12000 product. The adjustment range is from 1.2 V to 5.5 V for the W-suffix modules, and 0.8 V to 1.8 V for L-suffix modules. The adjustment method requires the addition of a single external resistor, R_{set} , that must be connected directly between the $V_o Adjust$ and GND pins¹. Table 2-1 gives the preferred value of the external resistor for a number of standard voltages, along with the actual output voltage that this resistance value provides. Figure 2-1 shows the placement of the required resistor.

Table 2-1; Preferred Values of R_{set} for Standard Output Voltages

| V_{out} (Req'd) | PTH12000W | | PTH12000L | |
|-------------------|-----------------|--------------------|-----------------|--------------------|
| | R_{set} | V_{out} (Actual) | R_{set} | V_{out} (Actual) |
| 5 V | 280 Ω | 5.009 V | N/A | N/A |
| 3.3 V | 2.0 k Ω | 3.294 V | N/A | N/A |
| 2.5 V | 4.32 k Ω | 2.503 V | N/A | N/A |
| 2 V | 8.06 k Ω | 2.010 V | N/A | N/A |
| 1.8 V | 11.5 k Ω | 1.801 V | 130 Ω | 1.800 V |
| 1.5 V | 24.3 k Ω | 1.506 V | 3.57 k Ω | 1.499 V |
| 1.2 V | Open | 1.200 V | 12.1 k Ω | 1.201 V |
| 1.1 V | N/A | N/A | 18.7 k Ω | 1.101 V |
| 1.0 V | N/A | N/A | 32.4 k Ω | 0.999 V |
| 0.9 V | N/A | N/A | 71.5 k Ω | 0.901 V |
| 0.8 V | N/A | N/A | Open | 0.800 V |

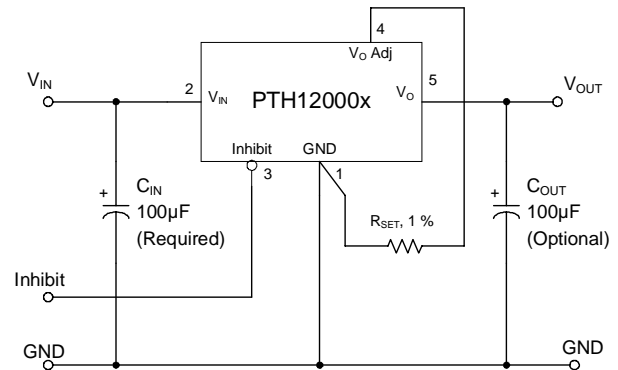
For other output voltages the value of the required resistor can either be calculated, or simply selected from the range of values given in Table 2-3. The following formula may be used for calculating the adjust resistor value. Select the appropriate value for the parameters, R_s and V_{min} , from Table 2.2.

$$R_{set} = 10 \text{ k}\Omega \cdot \frac{0.8 \text{ V}}{V_{out} - V_{min}} - R_s \text{ k}\Omega$$

Table 2.2; Adjust Formula Parameters

| Pt. No. | PTH12000W | PTH12000L |
|-----------|-----------------|-----------------|
| V_{min} | 1.2 V | 0.8 V |
| V_{max} | 5.5 V | 1.8 V |
| R_s | 1.82 k Ω | 7.87 k Ω |

Figure 2-1; $V_o Adjust$ Resistor Placement



Notes:

1. A 0.05-W rated resistor may be used. The tolerance should be 1 %, with a temperature stability of 100 ppm/ $^{\circ}$ C or better. Place the resistor as close to the regulator as possible. Connect the resistor directly between pins 4 and 1 using dedicated PCB traces.
2. Never connect capacitors from $V_o Adjust$ to either GND or V_{out} . Any capacitance added to the $V_o Adjust$ pin will affect the stability of the regulator.

PTH12000 Series

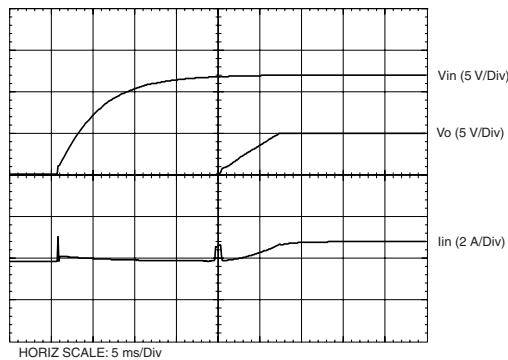
Table 2-3; Output Voltage Set-Point Resistor Values

| PTH12000W | | | | PTH12000L | |
|------------------|------------------|------------------|------------------|------------------|------------------|
| V _{OUT} | R _{SET} | V _{OUT} | R _{SET} | V _{OUT} | R _{SET} |
| 1.200 | Open | 2.70 | 3.51 kΩ | 0.800 | Open |
| 1.225 | 318.0 kΩ | 2.75 | 3.34 kΩ | 0.825 | 312.0 kΩ |
| 1.250 | 158.0 kΩ | 2.80 | 3.18 kΩ | 0.850 | 152.0 kΩ |
| 1.275 | 105.0 kΩ | 2.85 | 3.03 kΩ | 0.875 | 98.8 kΩ |
| 1.300 | 78.2 kΩ | 2.90 | 2.89 kΩ | 0.900 | 72.1 kΩ |
| 1.325 | 62.2 kΩ | 2.95 | 2.75 kΩ | 0.925 | 56.1 kΩ |
| 1.350 | 51.5 kΩ | 3.00 | 2.62 kΩ | 0.950 | 45.5 kΩ |
| 1.375 | 43.9 kΩ | 3.05 | 2.50 kΩ | 0.975 | 37.8 kΩ |
| 1.400 | 38.2 kΩ | 3.10 | 2.39 kΩ | 1.000 | 32.1 kΩ |
| 1.425 | 33.7 kΩ | 3.15 | 2.28 kΩ | 1.025 | 27.7 kΩ |
| 1.450 | 30.2 kΩ | 3.20 | 2.18 kΩ | 1.050 | 24.1 kΩ |
| 1.475 | 27.3 kΩ | 3.25 | 2.08 kΩ | 1.075 | 21.2 kΩ |
| 1.50 | 24.8 kΩ | 3.30 | 1.99 kΩ | 1.100 | 18.8 kΩ |
| 1.55 | 21.0 kΩ | 3.35 | 1.90 kΩ | 1.125 | 16.7 kΩ |
| 1.60 | 18.2 kΩ | 3.40 | 1.82 kΩ | 1.150 | 15.0 kΩ |
| 1.65 | 16.0 kΩ | 3.50 | 1.66 kΩ | 1.175 | 13.5 kΩ |
| 1.70 | 14.2 kΩ | 3.60 | 1.51 kΩ | 1.200 | 12.1 kΩ |
| 1.75 | 12.7 kΩ | 3.70 | 1.38 kΩ | 1.225 | 11.0 kΩ |
| 1.80 | 11.5 kΩ | 3.80 | 1.26 kΩ | 1.250 | 9.91 kΩ |
| 1.85 | 10.5 kΩ | 3.90 | 1.14 kΩ | 1.275 | 8.97 kΩ |
| 1.90 | 9.61 kΩ | 4.00 | 1.04 kΩ | 1.300 | 8.13 kΩ |
| 1.95 | 8.85 kΩ | 4.10 | 939 Ω | 1.325 | 7.37 kΩ |
| 2.00 | 8.18 kΩ | 4.20 | 847 Ω | 1.350 | 6.68 kΩ |
| 2.05 | 7.59 kΩ | 4.30 | 761 Ω | 1.375 | 6.04 kΩ |
| 2.10 | 7.07 kΩ | 4.40 | 680 Ω | 1.400 | 5.46 kΩ |
| 2.15 | 6.60 kΩ | 4.50 | 604 Ω | 1.425 | 4.93 kΩ |
| 2.20 | 6.18 kΩ | 4.60 | 533 Ω | 1.450 | 4.44 kΩ |
| 2.25 | 5.80 kΩ | 4.70 | 466 Ω | 1.475 | 3.98 kΩ |
| 2.30 | 5.45 kΩ | 4.80 | 402 Ω | 1.50 | 3.56 kΩ |
| 2.35 | 5.14 kΩ | 4.90 | 342 Ω | 1.55 | 2.8 kΩ |
| 2.40 | 4.85 kΩ | 5.00 | 285 Ω | 1.60 | 2.13 kΩ |
| 2.45 | 4.58 kΩ | 5.10 | 231 Ω | 1.65 | 1.54 kΩ |
| 2.50 | 4.33 kΩ | 5.20 | 180 Ω | 1.70 | 1.02 kΩ |
| 2.55 | 4.11 kΩ | 5.30 | 131 Ω | 1.75 | 551 Ω |
| 2.60 | 3.89 kΩ | 5.40 | 85 Ω | 1.80 | 130 Ω |
| 2.65 | 3.70 kΩ | 5.50 | 41 Ω | | |

Power-Up Characteristics

When configured per the standard application, the PTH12000x power modules produce a regulated output voltage whenever of a valid input voltage is applied from V_{in} (pin 2), with respect to GND (pin 1). During the power-up period, internal soft-start circuitry slows the rate that the output voltage rises. This reduces the in-rush current drawn from the input source. The soft-start circuitry also introduces a short time delay (typically 12 ms) into the power-up characteristic. The delay is from the point that a valid input source is recognized, to the initial rise of the output voltage. Figure 3-1 shows the power-up characteristic of the PTH12000W with the output voltage set to 5-V. The waveforms were measured with a 2-A resistive load. The initial rise in input current when the input voltage first starts to rise is the charge current drawn by the input capacitors.

Figure 3-1



Over-Current Protection

For protection against load faults, this series incorporates output over-current protection. Applying a load that exceeds the module's over-current threshold will cause the regulated output to shut down. Following shut down the module will periodically attempt to recover by initiating a soft-start power-up. This is often described as a "hiccup" mode of operation, whereby the module continues in the cycle of successive shut down and power up until the load fault is removed. During this period, the average current flowing into the fault is significantly reduced. Once the fault is removed, the module automatically recovers and returns to normal operation.

Output On/Off Inhibit

The inhibit control (pin 3) is used wherever there is a requirement to turn off the regulator output while input power is applied.

The power modules function normally when the Inhibit pin is left open-circuit, providing a regulated output whenever a valid source voltage is connected to V_{in} with respect to GND .

Figure 3-2 shows the typical application of the inhibit function. Note the discrete transistor (Q_1). The *Inhibit* pin has its own internal pull-up to V_{in} potential. An open-collector or open-drain device is recommended to control this input.

Turning Q_1 on applies a low voltage to the inhibit control and disables the output of the module. If Q_1 is then turned off, the module will execute a soft-start power-up. A regulated output voltage is produced within 25 msec. Figure 3-3 shows the typical rise in both the output voltage and input current, following the turn-off of Q_1 . The turn off of Q_1 corresponds to the rise in the waveform, V_{inh} . The waveforms were measured with a 5-V output and 2-A resistive load.

Figure 3-2

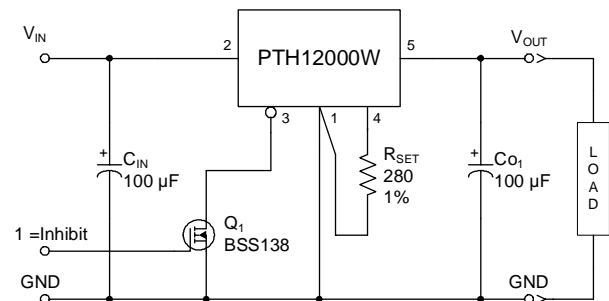
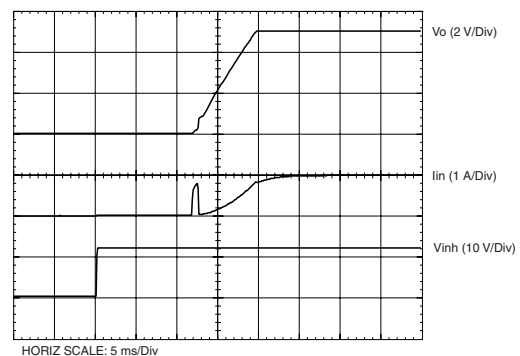


Figure 3-3



Pre-Bias Startup Capability

The capability to start up into an output pre-bias condition is now a feature of the PTH12000 series of modules. (Note: This is a feature enhancement for the the W-suffix version; see note 1).

A pre-bias startup condition occurs as a result of an external voltage being present at the output of a power module prior to its output becoming active. This often occurs in complex digital systems when current from another power source is backedfed through a dual-supply logic component, such as an FPGA or ASIC. Another path might be via clamp diodes, sometimes used as part of a dual-supply power-up sequencing arrangement. A prebias can cause problems with power modules that incorporate synchronous rectifiers. This is because under most operating conditions, such modules can sink as well as source output current. The PTH12000x series of modules incorporate synchronous rectifiers, but will not sink current during startup, or whenever the *Inhibit* pin is held low. Startup includes an initial delay (approx. 8 - 15 ms), followed by the rise of the output voltage under the control of the module's internal soft-start mechanism; see Figure 3-1.

Conditions for Pre-Bias Holdoff

In order for the module to allow an output pre-bias voltage to exist (and not sink current), certain conditions must be maintained. The module holds off a pre-bias voltage when

the *Inhibit* pin is held low, and whenever the output is allowed to rise under soft-start control. Power up under soft-start control occurs upon the removal of the ground signal to the *Inhibit* pin (with input voltage applied), or when input power is applied. To further ensure that the regulator doesn't sink output current, (even with a ground signal applied to its *Inhibit*), the input voltage must always be greater than the applied pre-bias source. This condition must exist throughout the power-up sequence ³.

The soft-start period is complete when the output begins rising above the pre-bias voltage. Once it is complete the module functions as normal, and will sink current if a voltage higher than the nominal regulation value is applied to its output.

Note: If a pre-bias condition is not present, the soft-start period will be complete when the output voltage has risen to either the set-point voltage.

Demonstration Circuit

The circuit shown in Figure 3-4 is a demonstrates the pre-bias startup feature. Figure 3-5 shows the startup waveforms. The initial rise in V_{O2} is the pre-bias voltage, which is passed from the V_{CCIO} to the V_{CORE} voltage rail through the ASIC. Note that the output current from the PTH12000L module (I_{O2}) is negligible until its output voltage rises above the applied pre-bias.

Figure 3-4; Application Circuit Demonstrating Pre-Bias Startup

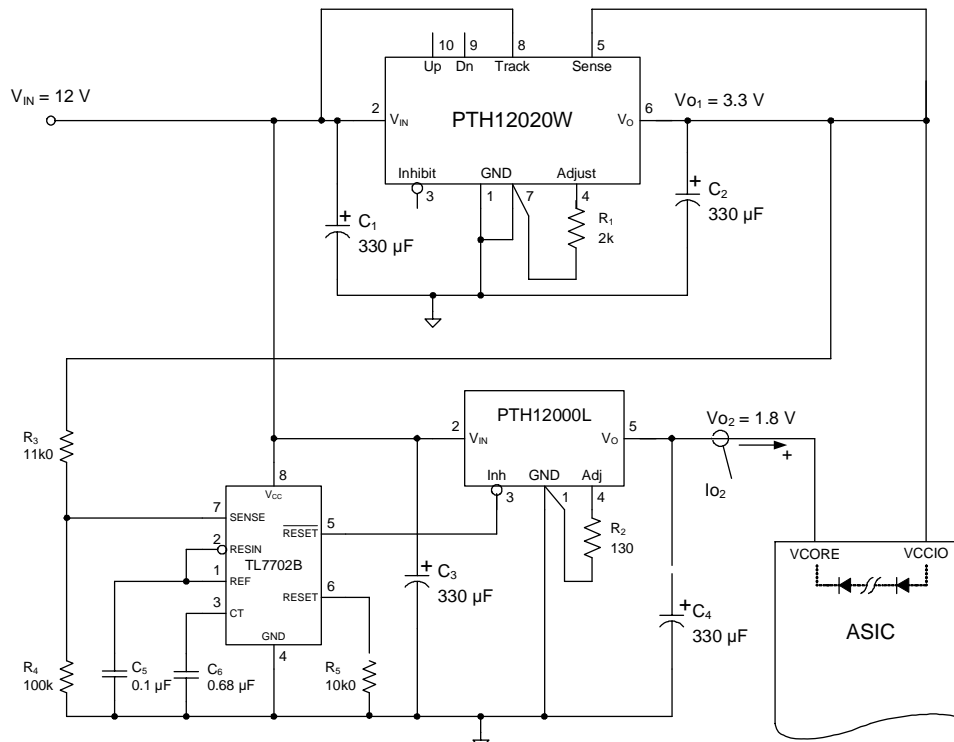
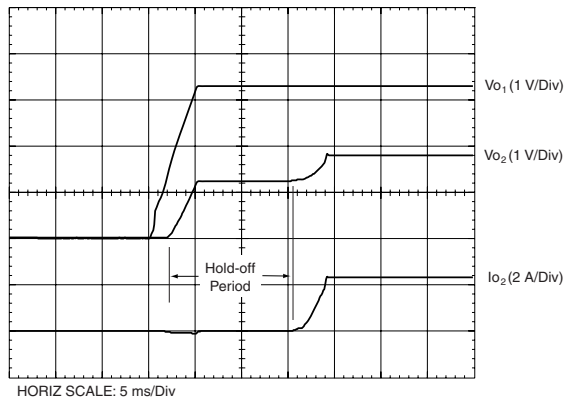


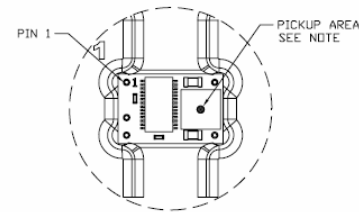
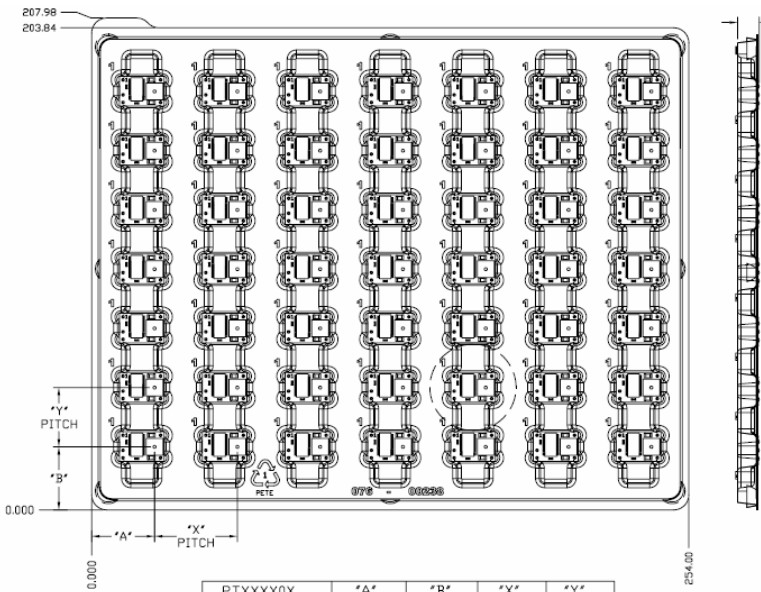
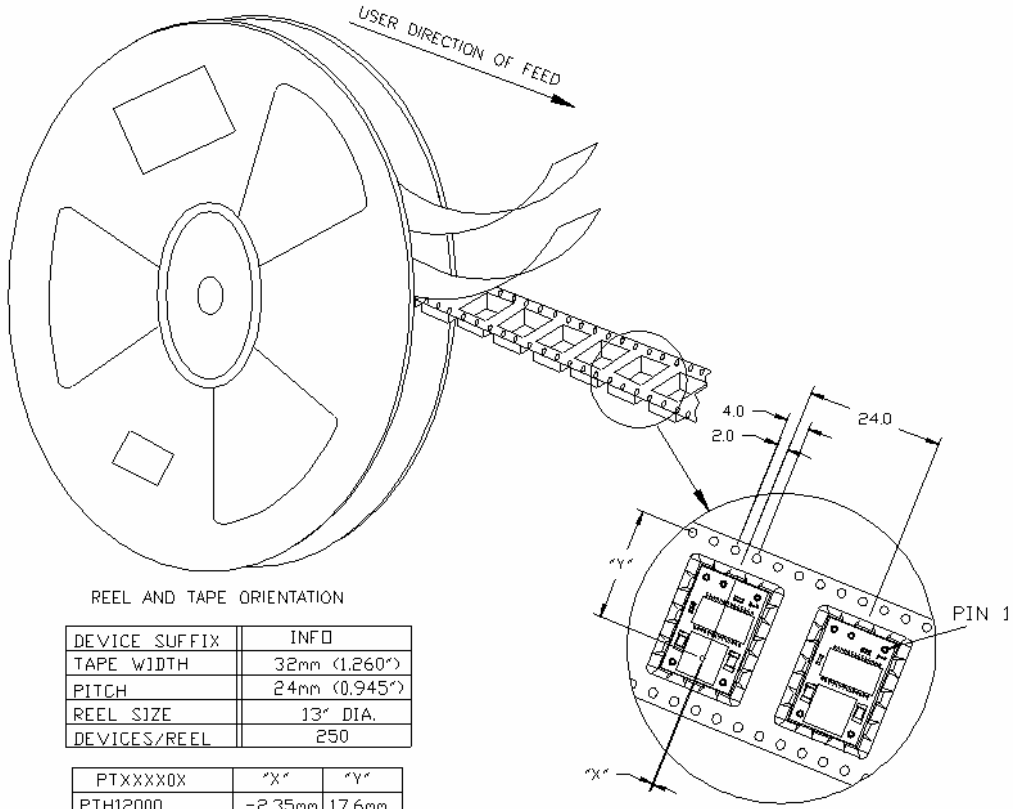
Figure 3-5; Pre-Bias Startup Waveforms



Notes

1. Output pre-bias holdoff has now been incorporated into the W-suffix modules (PTH12000W), with a production lot date code of "0423" or later.
2. To further ensure that the regulator's output does not sink current when power is first applied (even with a ground signal applied to the *Inhibit* control pin), the input voltage must always be greater than the applied pre-bias source. This condition must exist throughout the power-up sequence of the power system.

PTH12000 Tape & Reel and Tray Specification



NOTE: THE INDUCTOR IS USED TO PICK AND PLACE THE MODULE. IT'S LOCATION MAY VARY FROM PACKAGE STYLE. SEE PRODUCT TABLE

| | |
|--------------|----|
| DEVICES/TRAY | 49 |
|--------------|----|

| PTXXX0X | "A" | "B" | "X" | "Y" |
|----------|-------|-------|-------|-------|
| PTH12000 | 24.63 | 24.43 | 35.00 | 25.05 |

ALL DIMENSIONS ARE IN MILLIMETER.

PACKAGING INFORMATION

| Orderable Device | Status (1) | Package Type | Package Drawing | Pins | Package Qty | Eco Plan (2) | Lead/Ball Finish (6) | MSL Peak Temp (3) | Op Temp (°C) | Device Marking (4/5) | Samples |
|------------------|---------------|----------------------|-----------------|------|-------------|----------------------------|-------------------------|--|--------------|-------------------------|-------------------------|
| PTH12000LAH | ACTIVE | Through-Hole Module | EUS | 5 | 56 | RoHS Exempt & non-Green | SN | N / A for Pkg Type | -40 to 85 | | Samples |
| PTH12000LAZ | ACTIVE | Surface Mount Module | EUT | 5 | 49 | RoHS (In Work) & non-Green | SNAGCU | Level-3-260C-168 HR | -40 to 85 | | Samples |
| PTH12000LAZT | ACTIVE | Surface Mount Module | EUT | 5 | 250 | RoHS (In Work) & non-Green | SNAGCU | Level-3-260C-168 HR | -40 to 85 | | Samples |
| PTH12000WAD | ACTIVE | Through-Hole Module | EUS | 5 | 56 | RoHS Exempt & non-Green | SN | N / A for Pkg Type | -40 to 85 | | Samples |
| PTH12000WAH | ACTIVE | Through-Hole Module | EUS | 5 | 56 | RoHS Exempt & non-Green | SN | N / A for Pkg Type | -40 to 85 | | Samples |
| PTH12000WAS | ACTIVE | Surface Mount Module | EUT | 5 | 49 | RoHS (In Work) & non-Green | SNPB | Level-1-235C-UNLIM/ Level-3-260C-168HRS | -40 to 85 | | Samples |
| PTH12000WAZ | ACTIVE | Surface Mount Module | EUT | 5 | 49 | RoHS (In Work) & non-Green | SNAGCU | Level-3-260C-168 HR | -40 to 85 | | Samples |
| PTH12000WAZT | ACTIVE | Surface Mount Module | EUT | 5 | 250 | RoHS (In Work) & non-Green | SNAGCU | Level-3-260C-168 HR | -40 to 85 | | Samples |

(1) The marketing status values are defined as follows:

ACTIVE: Product device recommended for new designs.

LIFEBUY: TI has announced that the device will be discontinued, and a lifetime-buy period is in effect.

NRND: Not recommended for new designs. Device is in production to support existing customers, but TI does not recommend using this part in a new design.

PREVIEW: Device has been announced but is not in production. Samples may or may not be available.

OBSOLETE: TI has discontinued the production of the device.

(2) **RoHS:** TI defines "RoHS" to mean semiconductor products that are compliant with the current EU RoHS requirements for all 10 RoHS substances, including the requirement that RoHS substance do not exceed 0.1% by weight in homogeneous materials. Where designed to be soldered at high temperatures, "RoHS" products are suitable for use in specified lead-free processes. TI may reference these types of products as "Pb-Free".

RoHS Exempt: TI defines "RoHS Exempt" to mean products that contain lead but are compliant with EU RoHS pursuant to a specific EU RoHS exemption.

Green: TI defines "Green" to mean the content of Chlorine (Cl) and Bromine (Br) based flame retardants meet JS709B low halogen requirements of <=100ppm threshold. Antimony trioxide based flame retardants must also meet the <=1000ppm threshold requirement.

(3) MSL, Peak Temp. - The Moisture Sensitivity Level rating according to the JEDEC industry standard classifications, and peak solder temperature.

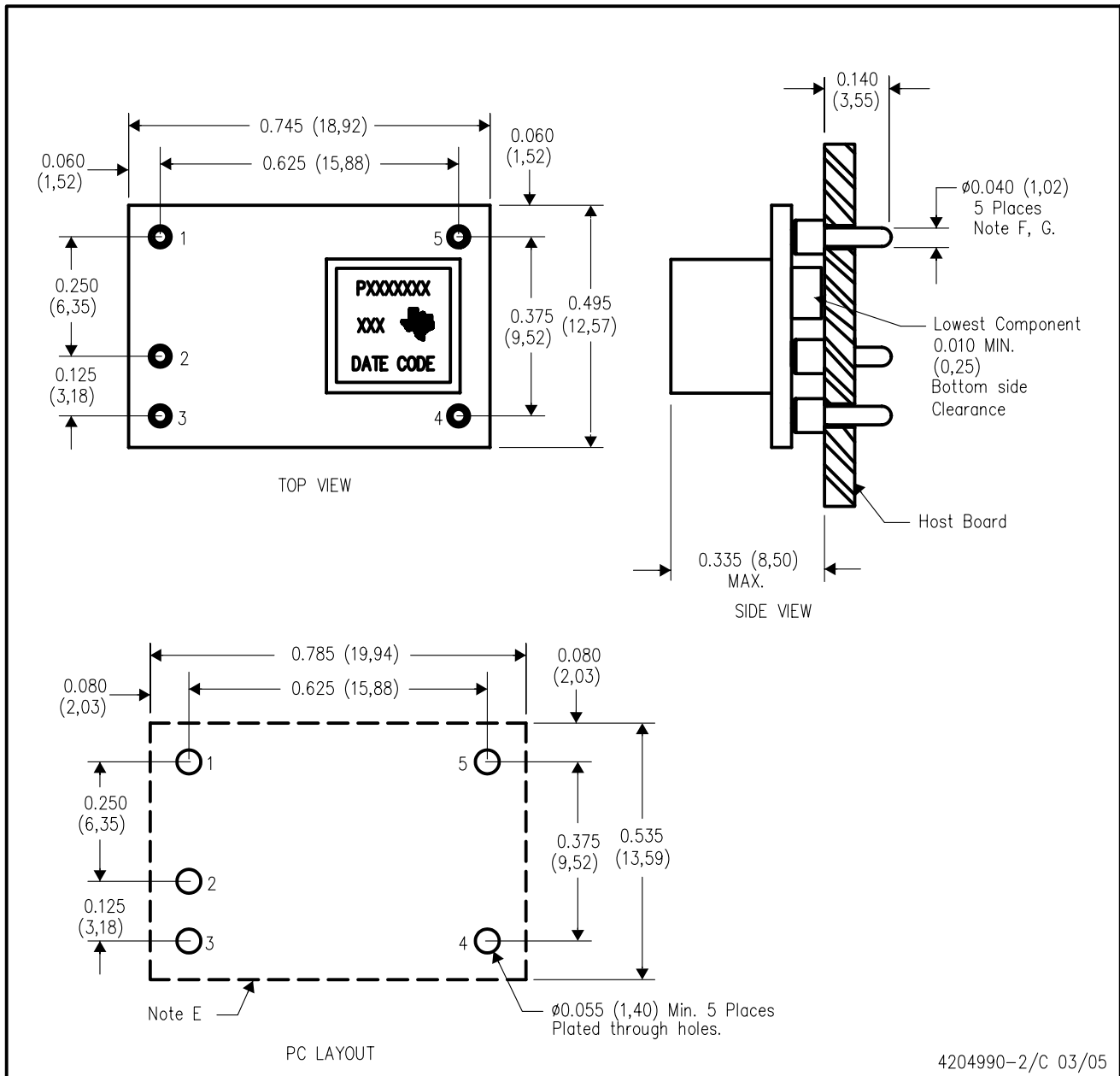
(4) There may be additional marking, which relates to the logo, the lot trace code information, or the environmental category on the device.

⁽⁵⁾ Multiple Device Markings will be inside parentheses. Only one Device Marking contained in parentheses and separated by a "-" will appear on a device. If a line is indented then it is a continuation of the previous line and the two combined represent the entire Device Marking for that device.

⁽⁶⁾ Lead/Ball Finish - Orderable Devices may have multiple material finish options. Finish options are separated by a vertical ruled line. Lead/Ball Finish values may wrap to two lines if the finish value exceeds the maximum column width.

Important Information and Disclaimer:The information provided on this page represents TI's knowledge and belief as of the date that it is provided. TI bases its knowledge and belief on information provided by third parties, and makes no representation or warranty as to the accuracy of such information. Efforts are underway to better integrate information from third parties. TI has taken and continues to take reasonable steps to provide representative and accurate information but may not have conducted destructive testing or chemical analysis on incoming materials and chemicals. TI and TI suppliers consider certain information to be proprietary, and thus CAS numbers and other limited information may not be available for release.

In no event shall TI's liability arising out of such information exceed the total purchase price of the TI part(s) at issue in this document sold by TI to Customer on an annual basis.

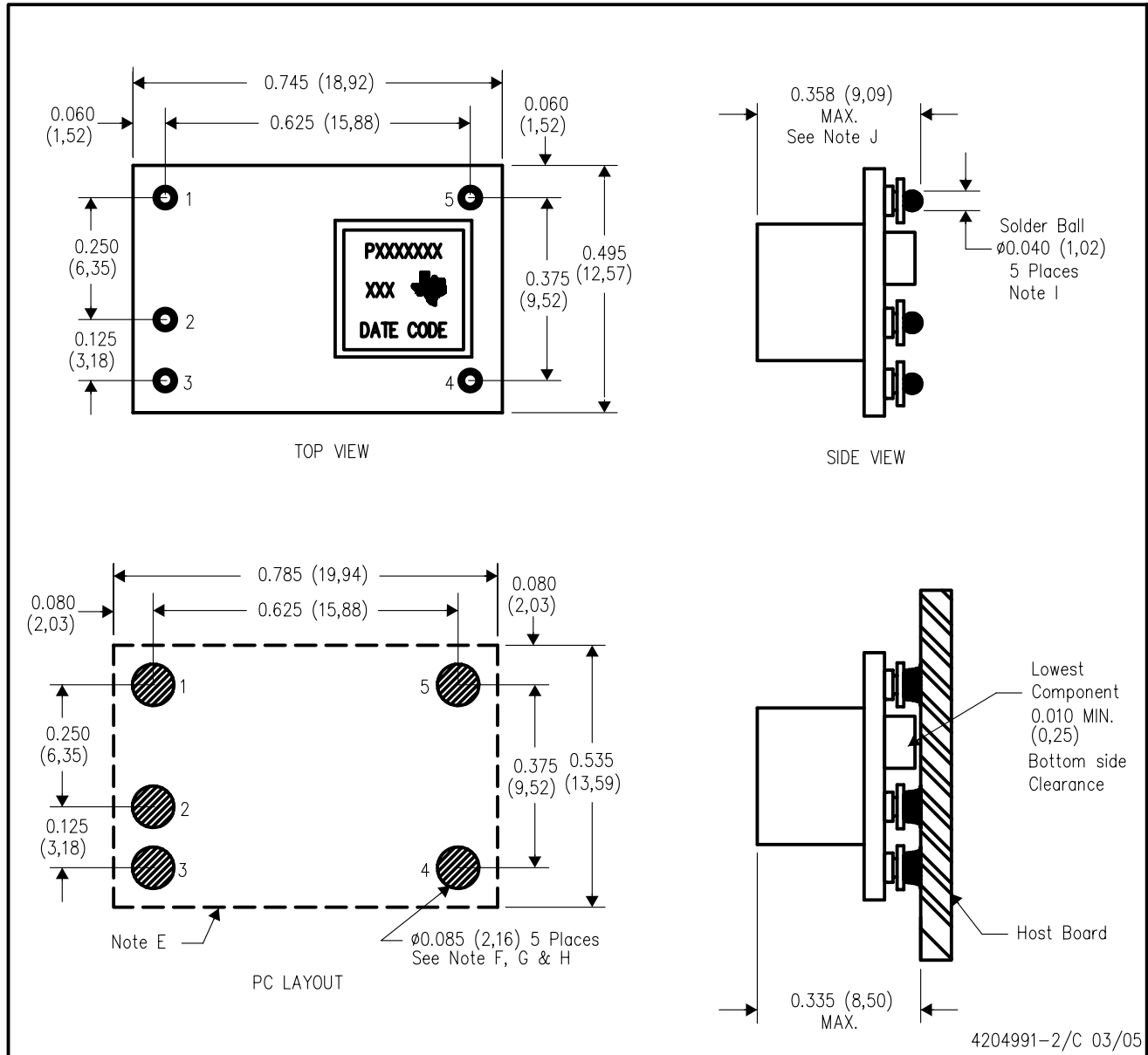


4204990-2/C 03/05

- NOTES:
- A. All linear dimensions are in inches (mm).
 - B. This drawing is subject to change without notice.
 - C. 2 place decimals are ± 0.030 ($\pm 0,76$ mm).
 - D. 3 place decimals are ± 0.010 ($\pm 0,25$ mm).
 - E. Recommended keep out area for user components.
 - F. Pins are 0.040" (1,02) diameter with 0.070" (1,78) diameter standoff shoulder.
 - G. All pins: Material - Copper Alloy
Finish - Tin (100%) over Nickel plate

EUT (R-PDSS-B5)

DOUBLE SIDED MODULE



- NOTES:
- A. All linear dimensions are in inches (mm).
 - B. This drawing is subject to change without notice.
 - C. 2 place decimals are ± 0.030 ($\pm 0,76$ mm).
 - D. 3 place decimals are ± 0.010 ($\pm 0,25$ mm).
 - E. Recommended keep out area for user components.
 - F. Power pin connection should utilize two or more vias to the interior power plane of 0.025 (0,63) I.D. per input, ground and output pin (or the electrical equivalent).

- G. Paste screen opening: 0.080 (2,03) to 0.085 (2,16).
Paste screen thickness: 0.006 (0,15).
- H. Pad type: Solder mask defined.
- I. All pins: Material - Copper Alloy
Finish - Tin (100%) over Nickel plate
Solder Ball - See product data sheet.
- J. Dimension prior to reflow solder.

IMPORTANT NOTICE AND DISCLAIMER

TI PROVIDES TECHNICAL AND RELIABILITY DATA (INCLUDING DATASHEETS), DESIGN RESOURCES (INCLUDING REFERENCE DESIGNS), APPLICATION OR OTHER DESIGN ADVICE, WEB TOOLS, SAFETY INFORMATION, AND OTHER RESOURCES "AS IS" AND WITH ALL FAULTS, AND DISCLAIMS ALL WARRANTIES, EXPRESS AND IMPLIED, INCLUDING WITHOUT LIMITATION ANY IMPLIED WARRANTIES OF MERCHANTABILITY, FITNESS FOR A PARTICULAR PURPOSE OR NON-INFRINGEMENT OF THIRD PARTY INTELLECTUAL PROPERTY RIGHTS.

These resources are intended for skilled developers designing with TI products. You are solely responsible for (1) selecting the appropriate TI products for your application, (2) designing, validating and testing your application, and (3) ensuring your application meets applicable standards, and any other safety, security, or other requirements. These resources are subject to change without notice. TI grants you permission to use these resources only for development of an application that uses the TI products described in the resource. Other reproduction and display of these resources is prohibited. No license is granted to any other TI intellectual property right or to any third party intellectual property right. TI disclaims responsibility for, and you will fully indemnify TI and its representatives against, any claims, damages, costs, losses, and liabilities arising out of your use of these resources.

TI's products are provided subject to TI's Terms of Sale (www.ti.com/legal/termsofsale.html) or other applicable terms available either on ti.com or provided in conjunction with such TI products. TI's provision of these resources does not expand or otherwise alter TI's applicable warranties or warranty disclaimers for TI products.

Mailing Address: Texas Instruments, Post Office Box 655303, Dallas, Texas 75265
Copyright © 2019, Texas Instruments Incorporated

Looking for pricing, stock, or lifecycle information?

Click below to explore more details on WIN SOURCE:

 [View PTH12000WAZT on WIN SOURCE](#)

 [Texas Instruments](#) Information

Optimize Your Supply Chain with WIN SOURCE Solutions

-  Global Sourcing Solution
-  Obsolete Management
-  Cost Control Management
-  Shortage Management
-  Alternative Solution
-  Excess Inventory Management