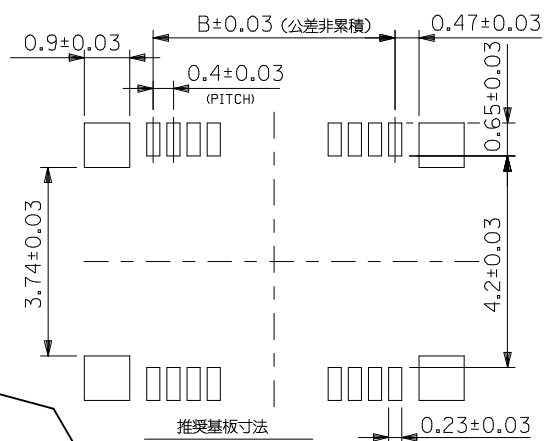
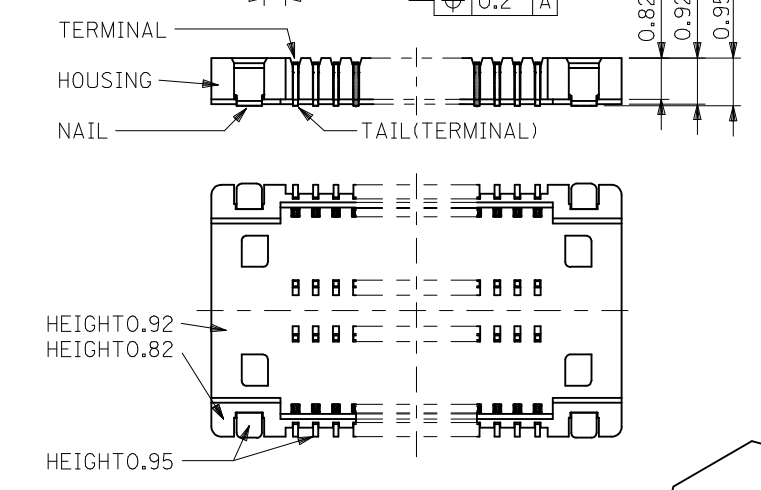
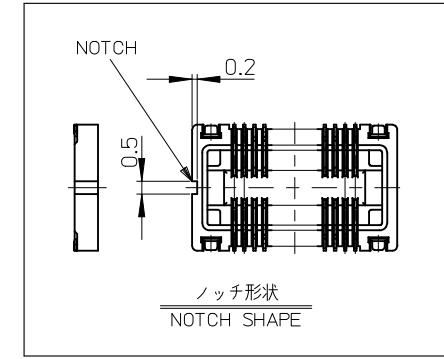
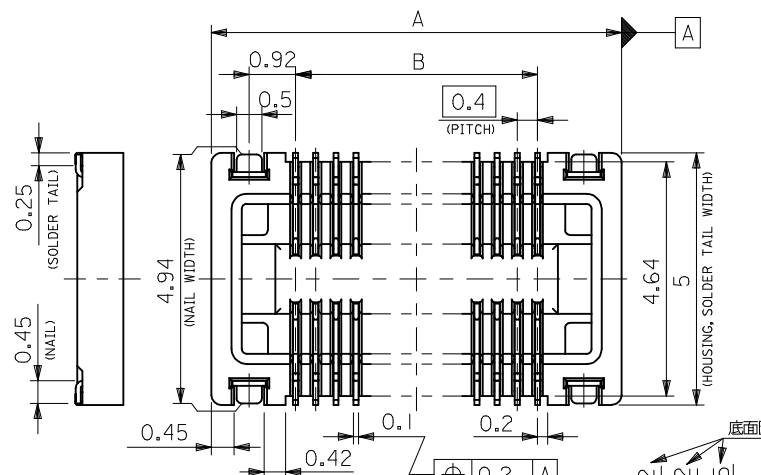




THE DATASHEET OF
5000244071





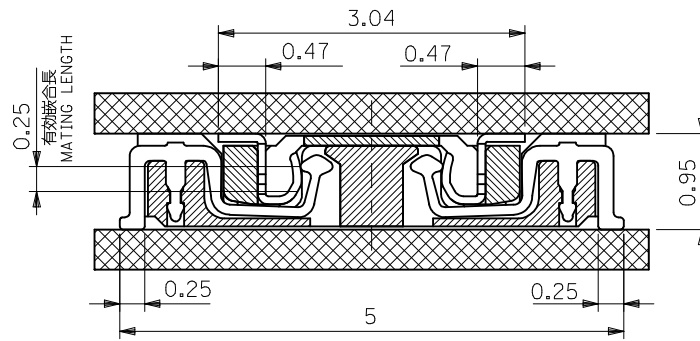
推奨基板寸法
RECOMMENDED P.C.B. PATTERN LAYOUT

- 注記 NOTES
- 材質 MATERIAL
ハウジング : 液晶ポリマー-UL94V-0
HOUSING : LIQUID CRYSTAL POLYMER [LCP] UL94V-0
ターミナル : 銅合金
TERMINAL : COPPER ALLOY
ネール : 銅合金
NAIL : COPPER ALLOY
 - メッキ仕様 PLATING
接点部 : 金メッキ 0.1μm
CONTACT AREA : GOLD PLATING 0.1μm
半田付け部 : 金メッキ 0.1μm
SOLDER TAIL AREA : GOLD PLATING 0.1μm
下地メッキ : ニッケルメッキ 1.0 μm
UNDER PLATING : NICKEL PLATING 1.0 μm
ネール : 鍍メッキ 1.0μm
NAIL : TIN PLATING 1.0μm
下地メッキ : ニッケルメッキ 0.5 μm
UNDER PLATING : NICKEL PLATING 0.5 μm
 - テール及びネールの平坦度は0.1以下
TAIL AND NAIL COPLANARITY : 0.1 MAX.
 - 嵌合相手: 500027 シリーズ
MATE WITH : 500027 SERIES
 - 本製品は 500024-***9 の鉛フリー品である。
THIS PRODUCT IS LEAD FREE OF 50024-***9

14.94	11.6	500024-6071	X	60
10.94	7.6	500024-4071	O	40
A	B	EMBOSSED TAPE PACKAGE	NOTCH	極数
		オナー番号 ORDER NO.		CIRCUITS

CONNECTOR SERIES No. : 500024-***08

REVISED EC NO: J2014-1542 DRWN: YSATO06 2014/04/10 CHKD: TASAKAWA 2014/04/17 APPR: TASAKAWA 2014/04/18	GENERAL TOLERANCES (UNLESS SPECIFIED)		DIMENSION STYLE MM ONLY	SCALE 10:1	DESIGN UNITS METRIC	THIRD ANGLE PROJECTION
	10 UNDER	±0.2	DRAWN BY H. SHIMABUKUR	DATE '04/02/18	TITLE 0.4 BB CONN. H=0.95 REC. ASSY.	
	10 OVER 30 UNDER	±0.25	CHECKED BY K. TOJO	DATE '04/02/18		
	30 OVER	±0.3	APPROVED BY M. SASAO	DATE '04/02/18		
REV	DESCRIPTION	ANGULAR ±3 °	MATERIAL NO.	DOCUMENT NO.	SHEET NO.	
		DRAFT WHERE APPLICABLE MUST REMAIN WITHIN DIMENSIONS	SEE CHART	SD-500024-018	1 OF 2	
			SIZE A3	THIS DRAWING CONTAINS INFORMATION THAT IS PROPRIETARY TO MOLEX INCORPORATED AND SHOULD NOT BE USED WITHOUT WRITTEN PERMISSION		



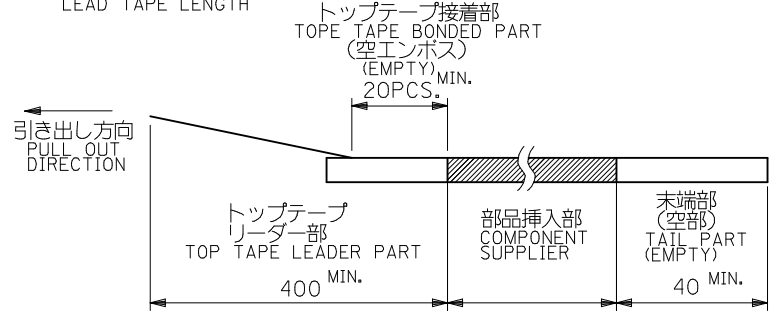
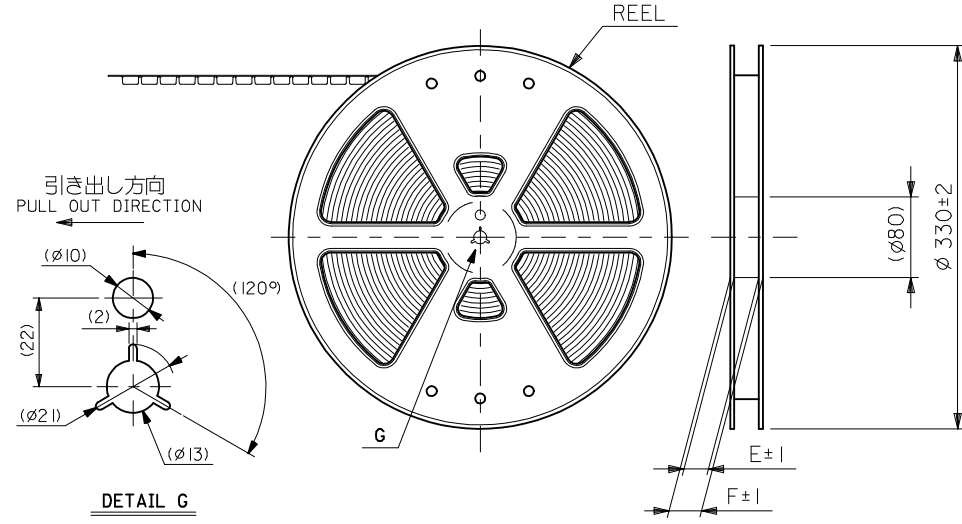
嵌合断面図 (参考)
MATED DRAWING

CONNECTOR SERIES No. : 500024-**-08

REVISED EC NO: J2014-1542 DRWN:YSATO06 2014/04/10 CHKD:TASAKAWA 2014/04/17 APPR:TASAKAWA 2014/04/18	GENERAL TOLERANCES (UNLESS SPECIFIED)		DIMENSION STYLE MM ONLY	SCALE 20:1	DESIGN UNITS METRIC	THIRD ANGLE PROJECTION
	10 UNDER	±0.2	DRAWN BY H. SHIMABUKUR	DATE '04/02/18	TITLE 0.4 BB CONN. H=0.95 REC. ASSY.	
	10 OVER 30 UNDER	±0.25	CHECKED BY K. TOJO	DATE '04/02/18		
	30 OVER	±0.3	APPROVED BY M. SASAO	DATE '04/02/18		
ANGULAR ±3 °		MATERIAL NO. SEE CHART 1	DOCUMENT NO. SD-500024-018	SHEET NO. 2 OF 2		
DRAFT WHERE APPLICABLE MUST REMAIN WITHIN DIMENSIONS		SIZE A3	THIS DRAWING CONTAINS INFORMATION THAT IS PROPRIETARY TO MOLEX INCORPORATED AND SHOULD NOT BE USED WITHOUT WRITTEN PERMISSION			

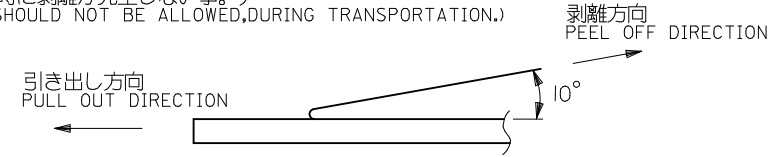
注)
NOTES

- 製品番号 500024-***8 詳細寸法については、製品単体図面を参照下さい。
IN THE PACKAGE PART NUMBER 500024-***8 DETAILED DIMENSIONS, SEE SALES DRAWING FOR CONNECTOR.
- 梱包数量：2000個/リール
NUMBER OF CONNECTORS：2000 PCS/REEL.
- リードテープ長さ
LEAD TAPE LENGTH



- トップテープの剥離強度：(剥離方向は下図参照)
PEELING OFF FORCE OF TOP TAPE (PELLING DIRECTION AS SHOWN IN FOLLOWING FIGURE.)
0.1~1.3N {10~130gf}

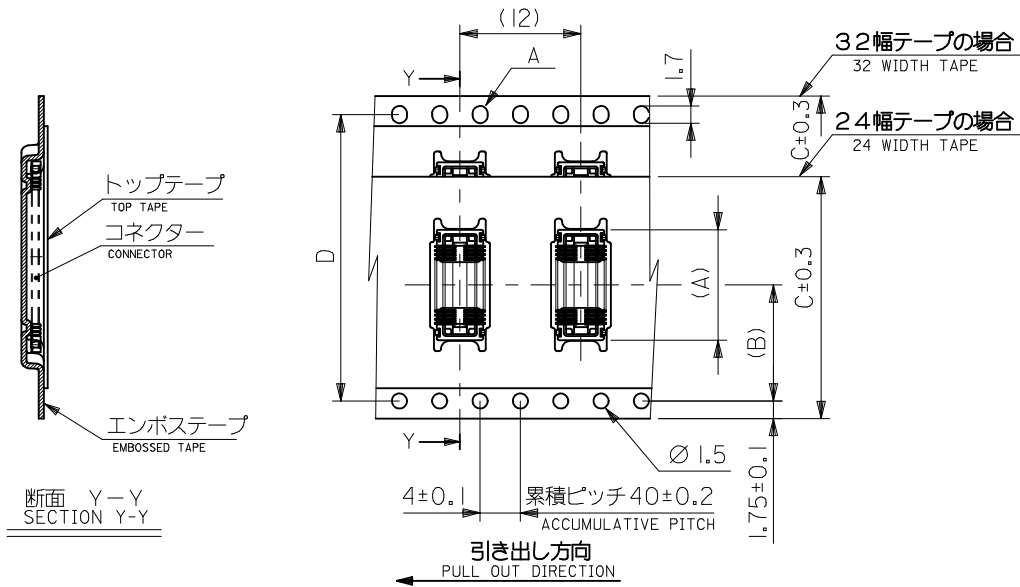
尚、本規格値は、出荷時に適用。
THIS REQUIREMENT SHOULD BE APPLIED AT SHIPMENT.
(但し、輸送時に剥離が発生しない事。)
(PEEL OFF SHOULD NOT BE ALLOWED, DURING TRANSPORTATION.)



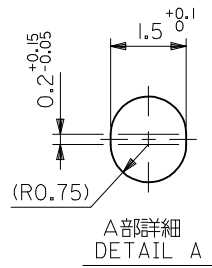
- 材料
MATERIAL
キャリアテープ：ポリプロピレン (PP)
CARRIER TAPE: POLYPROPYLENE (PP)
トップテープ：PET, PE, PEF
TOP TAPE: PET, PE, PEF
リール：ポリスチレン
REEL: POLYSTYRENE
- 本製品は 500024-***01 の鉛フリー品である。
THIS PRODUCT IS LEAD FREE OF 500024-***01

MODEL No. 500024-***71

REVISED EC NO: J2014-1542 DRWN: YSATO06 2014/04/10 CHKD: TASAKAWA 2014/04/17 APPR: TASAKAWA 2014/04/18	DESCRIPTION REV	GENERAL TOLERANCES (UNLESS SPECIFIED)		DIMENSION STYLE MM ONLY		SCALE ---	DESIGN UNITS METRIC	THIRD ANGLE PROJECTION		
		10 UNDER	±0.2	DRAWN BY HSHIMABUKURO	DATE 2004/02/18	TITLE 0.4 BB CONN. H=0.95 REC. ASSY. EMBSTP. PKG				
		10 OVER 30 UNDER	±0.25	CHECKED BY TTOJO	DATE 2004/02/18	molex				
		30 OVER	±0.3	APPROVED BY	DATE					
		ANGULAR ±3 °		MATERIAL NO. SEE CHART 2		DOCUMENT NO. SD-500024-019		SHEET NO. 1 OF 2		
DRAFT WHERE APPLICABLE MUST REMAIN WITHIN DIMENSIONS		THIS DRAWING CONTAINS INFORMATION THAT IS PROPRIETARY TO MOLEX INCORPORATED AND SHOULD NOT BE USED WITHOUT WRITTEN PERMISSION								



断面 Y-Y
SECTION Y-Y



37.4	33.4	28.4	32	14.2	14.94	500024-6071	60
29.4	25.4	X	24	11.5	10.94	500024-4071	40
F	E	D	C	B	A	MATERIAL NO.	極数 CIRCUITS

MODEL No. : 500024-**71

REVISED EC NO: J2014-1542 DRWN: YSATO06 2014/04/10 CHKD: TASAKAWA 2014/04/17 APPR: TASAKAWA 2014/04/18	GENERAL TOLERANCES (UNLESS SPECIFIED)		DIMENSION STYLE MM ONLY		SCALE ---		DESIGN UNITS METRIC		THIRD ANGLE PROJECTION		
	10 UNDER	±0.2	DRAWN BY HSHIMABUKURO		DATE 2004/02/18		TITLE 0.4 BB CONN. H=0.95 REC. ASSY. EMBSTP. PKG				
	10 OVER 30 UNDER	±0.25	CHECKED BY KTOJO		DATE 2004/02/18		molex				
	30 OVER	±0.3	APPROVED BY		DATE						
ANGULAR ±3 °		MATERIAL NO. SEE CHART		DOCUMENT NO. SD-500024-019		SHEET NO. 2 OF 2					
DRAFT WHERE APPLICABLE MUST REMAIN WITHIN DIMENSIONS		THIS DRAWING CONTAINS INFORMATION THAT IS PROPRIETARY TO MOLEX INCORPORATED AND SHOULD NOT BE USED WITHOUT WRITTEN PERMISSION									

Looking for pricing, stock, or lifecycle information?

Click below to explore more details on WIN SOURCE:

 [View 5000244071 on WIN SOURCE](#)

 [Molex, LLC Information](#)

Optimize Your Supply Chain with WIN SOURCE Solutions

-  Global Sourcing Solution
-  Obsolete Management
-  Cost Control Management
-  Shortage Management
-  Alternative Solution
-  Excess Inventory Management