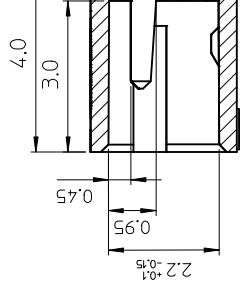
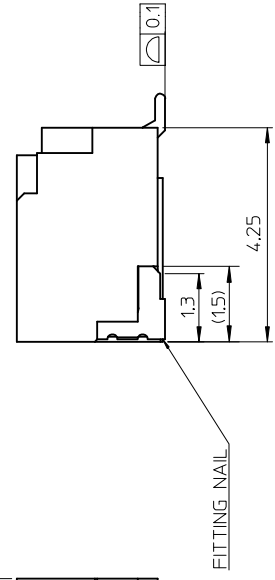
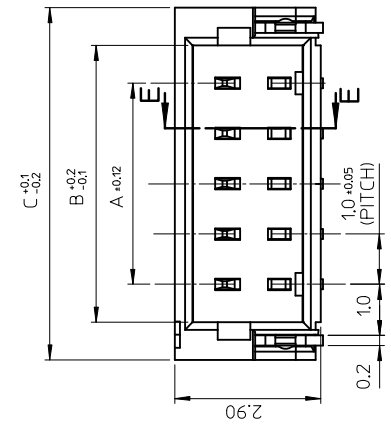
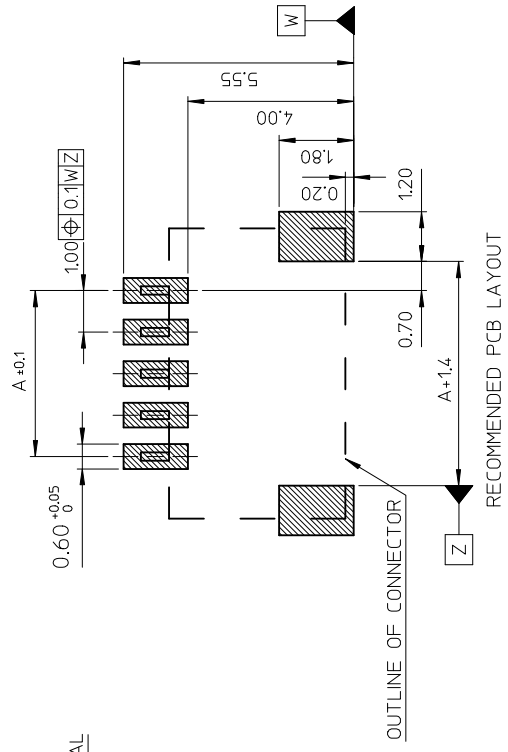
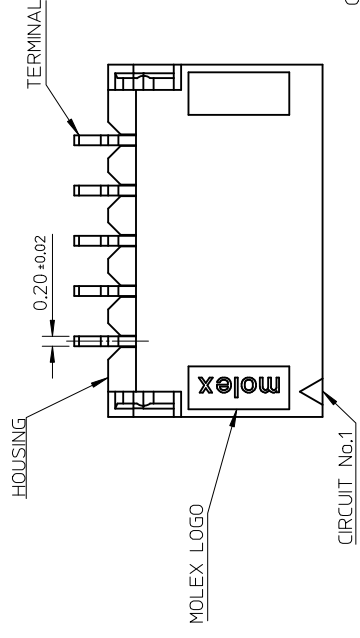




**THE DATASHEET OF
48227-0701**



10 9 8 7 6 5 4 3



NOTES:
 1. COPPLANARITY IS 0.1 mm MAX.
 2. MATERIAL : HOUSING: FOR 48227-XXX1 & 48227-XXX2
 NYLON/60% GLASS FILLED/UL 94V-0.
 COLOR: SEE TABLE
 FOR 48227-XXX3
 LCP, HALOGEN FREE,
 40% GLASS FILLED/UL 94V-0.
 COLOR: SEE TABLE

TERMINAL: PHOSPER BRONZE,
 FITTING NAIL: PHOSPER BRONZE

3. FINISHES :
 TERMINAL : SEE TABLE
 FITTING NAIL: SEE TABLE
 4. PRODUCT SPECIFICATION REFER TO PS-48226-001
 5. PACKAGING DRAWING REFER TO PK-48227-001
 6. TEST SUMMARY REFER TO TS-48226-001
 7. LEAD FREE AND ROHS COMPLIANT PRODUCT
 8. P/N LEGEND 48227-XXXX

NO OF CKTS _____ MATERIAL & COLOR:
 1=NYLON 46, NATURAL(WHITE)
 2=NYLON 46, BLACK
 3=LCP, BLACK

PLATING _____
 0=GOLD FLASH OVER ALL
 1=TIN PLATED (MATTE) OVER ALL
 2=TIN PLATED (BRIGHT) OVER ALL,

REV	DESCRIPTION	QUALITY SYMBOLS	GENERAL TOLERANCES (UNLESS SPECIFIED)	DIMENSION STYLE	SCALE
3	MOD. HSG MATERIAL FC NO: SH2012-0064 DRW: FANG05 2011/08/19 CHKD: APPR: RZHANG 2011/09/26	▶=0 ◻=0	mm 4 PLACES ± --- 3 PLACES ± --- 2 PLACES ± 0.25 1 PLACE ± 0.25	MM ONLY	10
			INCH ± --- ± --- ± --- ± ---	DRAWN BY BERNIE	TITLE
				CHECKED BY ERIC KAO	DATE 2005/11/18
				APPROVED BY WILSON	DATE 2005/11/18
				MATERIAL NO. SEE TABLE	DATE 2005/11/18
				SIZE A3	DOCUMENT NO. MOLEX
					THIS DRAWING CONTAINS INFORMATION INCORPORATED AND SHOULD BE INCORPORATED AND SHOULD

10 9 8 7 6 5 4 3

Looking for pricing, stock, or lifecycle information?

Click below to explore more details on WIN SOURCE:

 [View 48227-0701 on WIN SOURCE](#)

 [Molex, LLC Information](#)

Optimize Your Supply Chain with WIN SOURCE Solutions

-  Global Sourcing Solution
-  Obsolete Management
-  Cost Control Management
-  Shortage Management
-  Alternative Solution
-  Excess Inventory Management