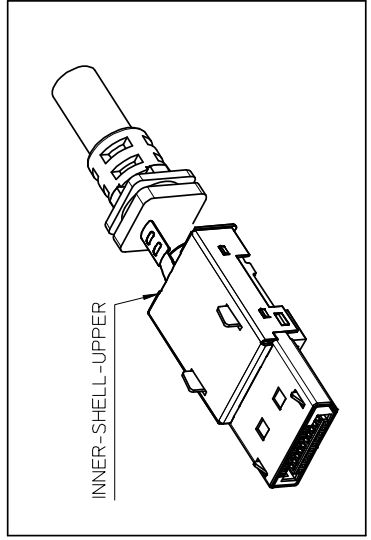




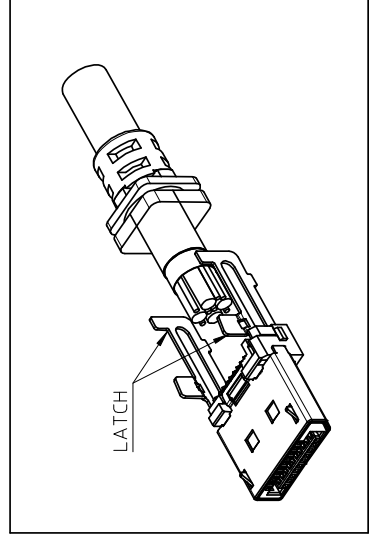
**THE DATASHEET OF**  
**47271-0011**





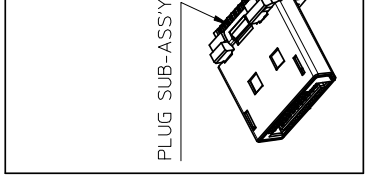


F



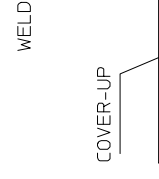
E

ASSEMBLING THE LATCHES  
(W/O LATCH TYPE NEEDN'T THIS STEP)



D

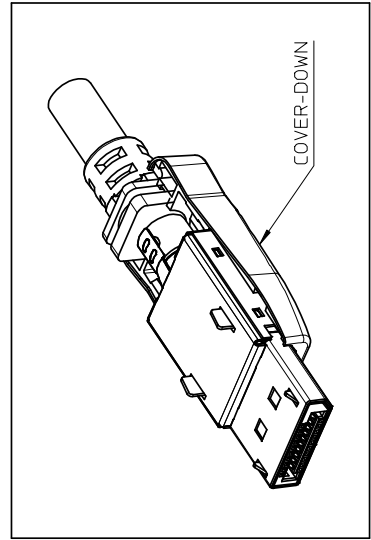
ASSEMBLING THE INNER-SHELL-UPPER



C

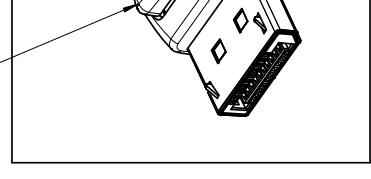
INNER-SHELL-LOWER

ASSEMBLING THE INNER-SHELL-LOWER



B

ASSEMBLING THE COVER-DOWN



A

## ASSEMBLY PROCESS

SEE SHEET 1	REV	DESCRIPTION	QUALITY SYMBOLS	GENERAL TOLERANCES (UNLESS SPECIFIED)	DIMENSION STYLE	SCALE
SEE SHEET 1	B	DRW:N:HFH 2008/04/07	▶=0 ◻=0	4 PLACES ± --- INCH 3 PLACES ± --- 2 PLACES ± 0.15 1 PLACE ± 0.15	MM ONLY	2
EC NO: SH2008-0288		APPR:HWANG 2008/04/25		ANGULAR ± 1 °	DRAWN BY QWFANG 2006/09/05	TITLE
SEE SHEET 1		CHKD:RZHANG 2008/04/08			CHECKED BY IWANG 2006/09/05	
		2008/04/25			APPROVED BY JNCHEN 2006/09/05	
					MATERIAL NO.	DOCUMENT
				DRAFT WHERE APPLICABLE MUST REMAIN WITHIN DIMENSIONS	SEE SHEET 3	
					SIZE A3	
					THIS DRAWING CONTAINS INCORPORATED AND SHOULD	

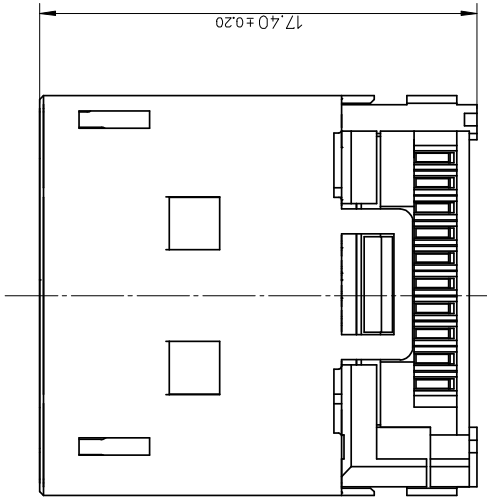
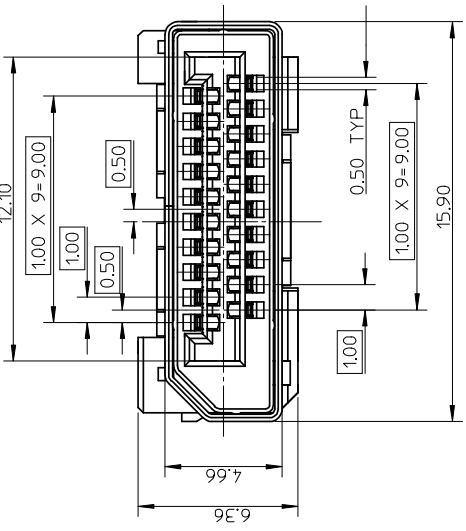
A

COMPONENT	PLUG SUB-ASS'Y	COVER-DOWN	COVER-UP	INNER-SHELL-UPPER	INNER-SHELL-LOWER	LATCH	LATCH
	47271-0011	47271-0005	47271-0004	47271-1008	47271-1009	47271-1016	47271-201
	47271-1011 DETAIL SEE SD-47271-001	47271-0005 DETAIL SEE SD-47271-005	47271-1004 DETAIL SEE SD-47271-004	47271-3008 DETAIL SEE SD-47271-008	47271-1009 DETAIL SEE SD-47271-009	DETAIL SEE SD-47271-006	

NOTES:  
ALL COMPONENTS QUANTITY ARE 1.

EC NO: SH2008-0288 DRW:N:HF CHK:D:RZHANG APPR:HWANG 2008/04/07 2008/04/08 2008/04/25	DESCRIPTION REV	QUALITY SYMBOLS 	GENERAL TOLERANCES (UNLESS SPECIFIED) mm INCH 4 PLACES ± --- ± --- 3 PLACES ± --- ± --- 2 PLACES ± 0.15 ± --- 1 PLACE ± 0.15 ± --- ANGULAR ± 1 °	DIMENSION STYLE MM ONLY	SCALE 5

10 9 8 7 6 5 4 3



NOTES:  
THIS P  
CAN BE

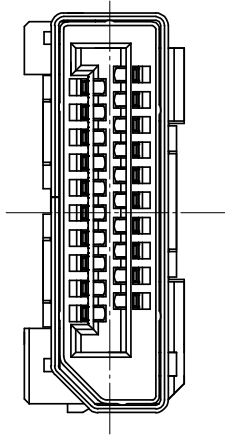
REV	DESCRIPTION	QUALITY SYMBOLS	GENERAL TOLERANCES (UNLESS SPECIFIED)	DIMENSION STYLE	SCALE
					MM ONLY
B	DRW:N:JHE 2008/04/107	= 0 = 0	4 PLACES ± --- INCH 3 PLACES ± --- mm 2 PLACES ± 0.15 1 PLACE ± 0.15 ANGULAR ± 1 °	DRAWN BY OMFANG 2006/09/05 CHECKED BY IWANG 2006/09/05 APPROVED BY JINCHEN 2006/09/05	TITLE
	EC NO: SH2008-0288				SEE SHEET 1
APPR:HMWANG 2008/04/25		DRAFT WHERE APPLICABLE MUST REMAIN WITHIN DIMENSIONS			SIZE A3
		THIS DRAWING CONTAINS INCORPORATED AND SHOULD			

fd\_frame\_A3\_P\_AM\_T  
Rev. D 2004/06/28

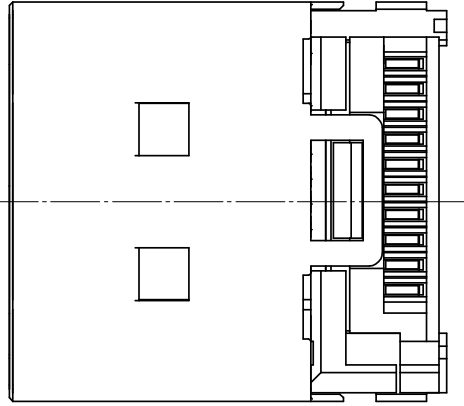
10 9 8 7 6 5 4 3

10 9 8 7 6 5 4 3

F



E



D

C

NOTES:

THIS PART IS WITHOUT LATCHES  
 CAN'T BE ASSEMBLED WITH LATCHES  
 UNSPECIFIED DIMENSIONS ARE SA

B

SEE SHEET1	EC NO: SH2008-0288	DRWN:HHE 2008/04/07	CHKD:RZHANG 2008/04/25	APP:RHHWANG 2008/04/25	REV
				DESCRIPTION	

QUALITY SYMBOLS

GENERAL TOLERANCES (UNLESS SPECIFIED)		INCH	
4 PLACES ±	----	±	----
3 PLACES ±	----	±	----
2 PLACES ±	0.15	±	----
1 PLACE ±	0.15	±	----
ANGULAR ± 1 °			

DRAWN BY		DATE	
QWFANG		2006/09/05	
CHECKED BY		DATE	
IWANG		2006/09/05	
APPROVED BY		DATE	
JNCHEN		2006/09/05	

DIMENSION STYLE		SCA	
MM ONLY		5	
TITLE		SD-	

DRAFT WHERE APPLICABLE  
 MUST REMAIN WITHIN DIMENSIONS

MATERIAL NO.		DOCUM	
47271-1011		SD-	
SIZE		THIS DRAWING CONTAINS	
A3		INCORPORATED AND SHOULD	

DIMENSION STYLE		SCA	
MM ONLY		5	
TITLE		SD-	

fb\_frame\_A3\_P\_AM\_T  
 Rev. D 2004/06/28

A

9

8

7

6

5

4

3

## Looking for pricing, stock, or lifecycle information?

Click below to explore more details on WIN SOURCE:

 [View 47271-0011 on WIN SOURCE](#)

 [Molex, LLC Information](#)

## Optimize Your Supply Chain with WIN SOURCE Solutions

-  Global Sourcing Solution
-  Obsolete Management
-  Cost Control Management
-  Shortage Management
-  Alternative Solution
-  Excess Inventory Management