



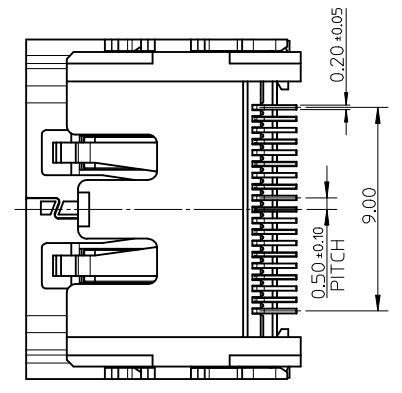
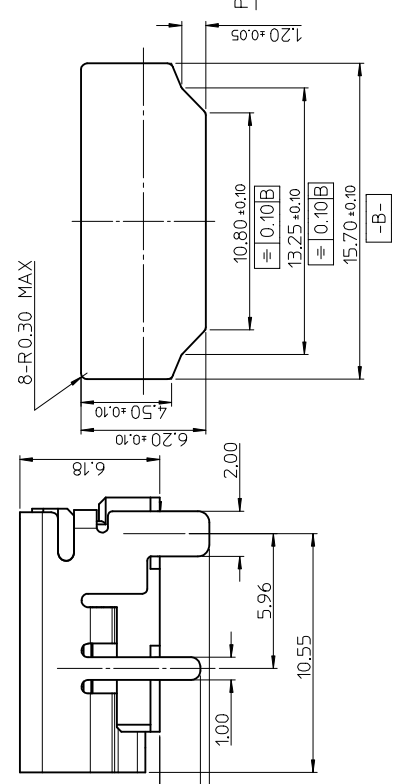
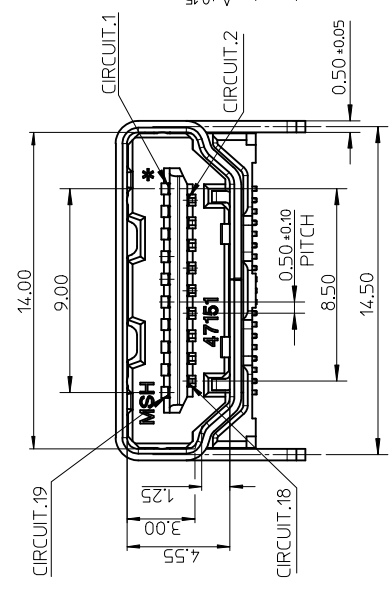
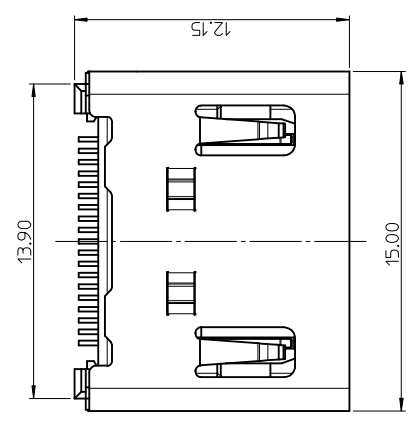
**THE DATASHEET OF**  
**47151-6012**



10 9 8 7 6 5 4 3

NOTES:

1. MATERIAL:  
HOUSING: THERMOPLASTIC, GLASS-FILLED, UL 94V-0, COLOR: SEE TABLE.  
SHELL: COPPER ALLOY.  
TERMINAL: COPPER ALLOY.
2. PLATING:  
TERMINAL:  
CONTACT AREA: (1) 0.76 MICROMETER MIN. GOLD PLATING.  
(2) 0.25 MICROMETER MIN. GOLD PLATING.  
(3) GOLD FLASH.  
(4) 0.375 MICROMETER MIN. GOLD PLATING.  
SOLDER AREA: 1 MICROMETER MIN. TIN-BISMUTH ALLOY PLATED.  
UNDER PLATE: 1.27 MICROMETER MIN. NICKEL.  
SHELL: (a) 1.27 MICROMETER MIN. SOLDERABLE NICKEL PLATE OVERALL.  
(b) GOLD FLASH PLATING OVER 1.27 MICROMETER MIN. NICKEL PLATING OVERALL.  
3. COPLANARITY IS 0.1MM MAX.  
4. PRODUCT SPECIFICATION REFER TO PS-47152-001.  
5. PACKAGE SPECIFICATION FOR WITHOUT FLANGE REFER TO PK-47151-001.  
6. PRODUCT COMPLIANT TO ROHS DIRECTIVE 2011/65/EU AND ELV DIRECTIVE 2000/53/EC.



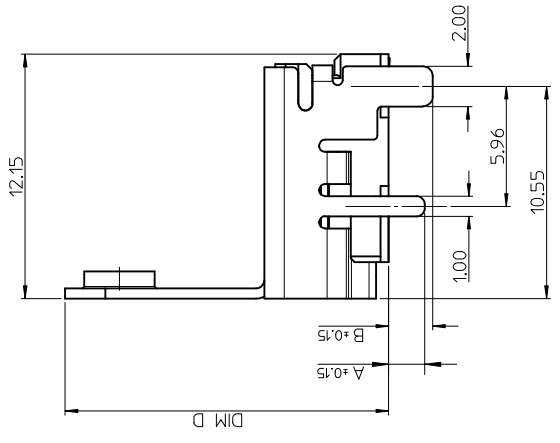
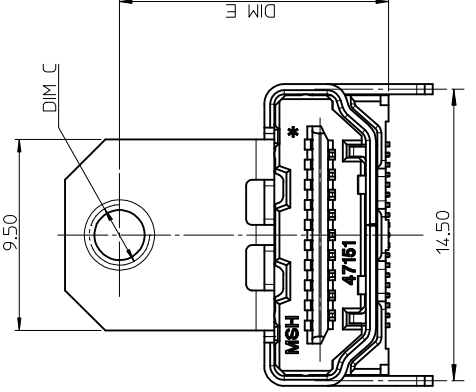
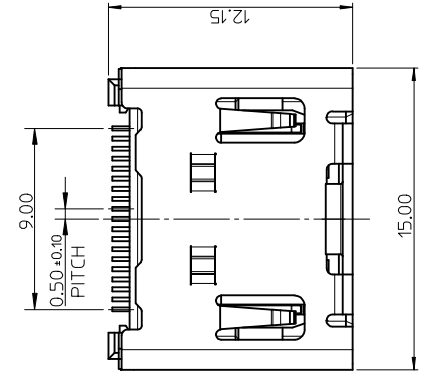
RECOMMENDED PANEL CUT OUT DIMENSION

QUALITY SYMBOLS	GENERAL TOLERANCES (UNLESS SPECIFIED)	DIMENSION STYLE	SCALE
$\nabla=0$	4 PLACES $\pm$ ---	MM ONLY	NT
$\nabla=0$	3 PLACES $\pm$ ---	DRAWN BY	RZHANG
$\nabla=0$	2 PLACES $\pm 0.25$	CHECKED BY	GRMA
$\nabla=0$	1 PLACE $\pm 0.25$	APPROVED BY	YTYAP
	0 PLACE $\pm$	DATE	2004/07/20
	ANGULAR $\pm 3^\circ$	DATE	2004/07/20
	DRAFT WHERE APPLICABLE MUST REMAIN WITHIN DIMENSIONS	MATERIAL NO.	SEE SHEET 6
		SIZE	A3
		THIS DRAWING CONTAINS	INCORPORATED AND SHOULD

REV	DESCRIPTION
L1	REVISE NOTE
	EC NO: S2014-0536
	DRW:FC300
	CHKD:JTAN02
	APP:KHL1M
	2013/12/17
	2013/12/20

10 9 8 7 6 5 4 3

10 9 8 7 6 5 4 3



TERMIN

- NOTES:  
 1. THE UNSPECIFIED DIMENSIONS REFER TO SHEET 1.  
 2. PACKAGE SPECIFICATION FOR WITH FLANGE REFER TO PK-47151-002.

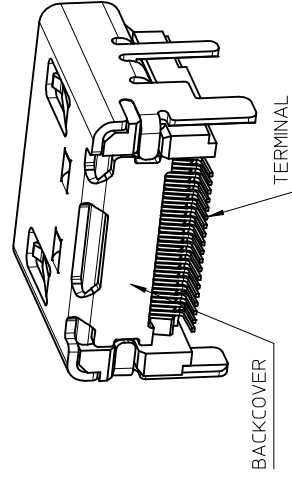
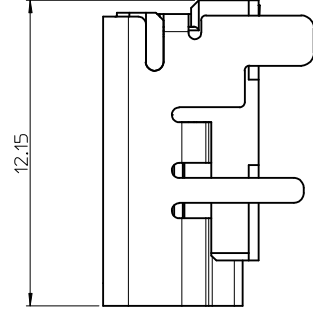
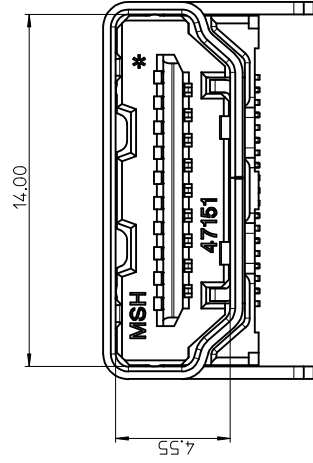
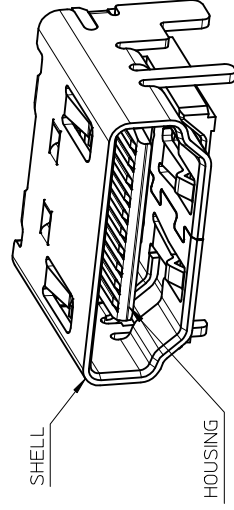
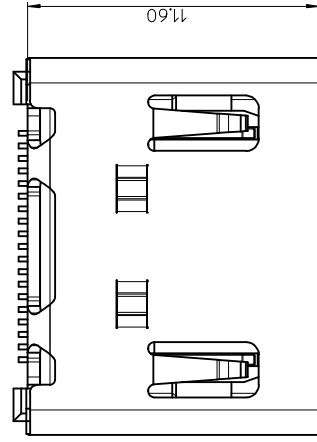
REVISE NOTE		FC NO: S2014-0536		2013/12/05		DRWF:CS00		2013/12/17		CHKD:JTAN02		2013/12/20		APPR:KHLIM	
DESCRIPTION		L1		L1		L1		L1		L1		L1		L1	
QUALITY SYMBOLS		F=0		F=0		F=0		F=0		F=0		F=0		F=0	
GENERAL TOLERANCES (UNLESS SPECIFIED)		mm		mm		mm		mm		mm		mm		mm	
DIMENSION STYLE		MM ONLY		MM ONLY		MM ONLY		MM ONLY		MM ONLY		MM ONLY		MM ONLY	
DRAWN BY		RZHANG		RZHANG		RZHANG		RZHANG		RZHANG		RZHANG		RZHANG	
CHECKED BY		GRWA		GRWA		GRWA		GRWA		GRWA		GRWA		GRWA	
APPROVED BY		YTYAP		YTYAP		YTYAP		YTYAP		YTYAP		YTYAP		YTYAP	
DATE		2004/07/20		2004/07/20		2004/07/20		2004/07/20		2004/07/20		2004/07/20		2004/07/20	
MATERIAL NO.		SEE SHEET 6		SEE SHEET 6		SEE SHEET 6		SEE SHEET 6		SEE SHEET 6		SEE SHEET 6		SEE SHEET 6	
DOCUMENT		THIS DRAWING CONTAINS INFORMATION INCORPORATED AND SHOULD BE INCORPORATED AND SHOULD		THIS DRAWING CONTAINS INFORMATION INCORPORATED AND SHOULD BE INCORPORATED AND SHOULD		THIS DRAWING CONTAINS INFORMATION INCORPORATED AND SHOULD BE INCORPORATED AND SHOULD		THIS DRAWING CONTAINS INFORMATION INCORPORATED AND SHOULD BE INCORPORATED AND SHOULD		THIS DRAWING CONTAINS INFORMATION INCORPORATED AND SHOULD BE INCORPORATED AND SHOULD		THIS DRAWING CONTAINS INFORMATION INCORPORATED AND SHOULD BE INCORPORATED AND SHOULD		THIS DRAWING CONTAINS INFORMATION INCORPORATED AND SHOULD BE INCORPORATED AND SHOULD	

td\_frame\_A3\_P\_AM\_T  
 Rev. G 2012/01/11

9 8 7 6 5 4 3

10 9 8 7 6 5 4 3

WITH BACK COVER



MYLAR

NOTES:

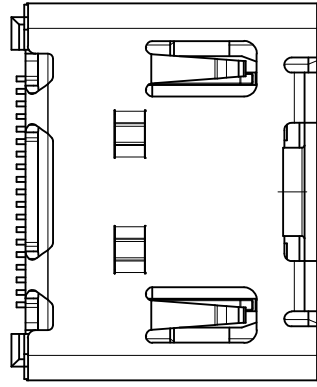
1. THE UNSPECIFIED DIMENSIONS REFER TO 47151-0001.
2. PACKAGE SPECIFICATION FOR WITHOUT FLANGE REFER TO PK-47151-001.

REVISION NOTE EC NO: S2014-0536 L1 DRWN:FC500 2013/12/05 CHKD:JTAN02 2013/12/17 APPR:KHLIM 2013/12/20 REV DESCRIPTION		QUALITY SYMBOLS □=0 □=0 □=0	GENERAL TOLERANCES (UNLESS SPECIFIED) mm INCH 4 PLACES ± --- ± --- 3 PLACES ± --- ± --- 2 PLACES ± 0.25 ± --- 1 PLACE ± 0.25 ± --- 0 PLACE ± ± ---	DIMENSION STYLE MM ONLY DATE 1 HIS DRAWN BY RZHANG 2004/07/20 CHECKED BY GRWA 2004/07/20 APPROVED BY YTYAP 2004/07/20 MATERIAL NO. DOCUMENT	SCA NT TITLE
DRAFT WHERE APPLICABLE MUST REMAIN WITHIN DIMENSIONS		SIZE A3 THIS DRAWING CONTAINS INCORPORATED AND SHOULD	SEE SHEET 6	DATE 2012/01/11	3

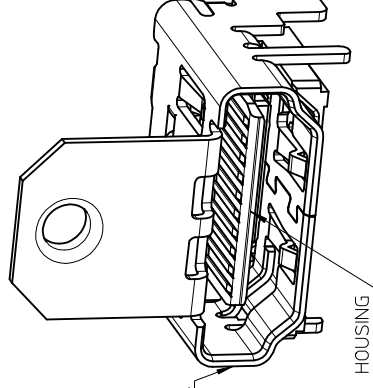
10 9 8 7 6 5 4 3

10 9 8 7 6 5 4 3

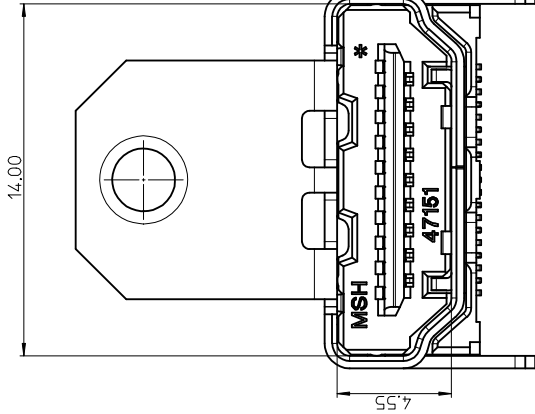
WITH BACK COVER



SHELL

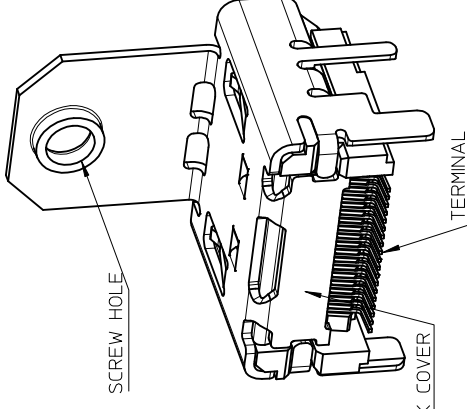


HOUSING



16.08

MYLAR



SCREW HOLE

BACK COVER  
TERMINAL

THIS IS ON  
47151-1025

NOTES:

1. THE UNSPECIFIED DIMENSIONS REFER TO 47151-0002.
2. PACKAGE SPECIFICATION FOR WITH FLANGE:  
 OPTION 1: 47151-1026/2062/6032 REFER TO PK-47151-005,  
 OPTION 2: 47151-1102 REFER TO PK-47151-003,  
 OPTION 3: OTHER PART NUMBER REFER TO PK-47151-002.

REVISE NOTE EC NO: S2014-0536 DRWN:FC500 2013/12/05 CHKD:JTAN02 2013/12/17 APPR:KHLIM 2013/12/20		DESCRIPTION		REV	
QUALITY SYMBOLS	GENERAL TOLERANCES (UNLESS SPECIFIED):				DIMENSION STYLE
$\nabla=0$	mm	INCH	DATE	MM ONLY	NT
$\nabla=0$	4 PLACES $\pm$ ---	$\pm$ ---	2004/07/20	DRAWN BY	TITLE
$\nabla=0$	3 PLACES $\pm$ ---	$\pm$ ---	2004/07/20	RZHANG	
	2 PLACES $\pm 0.25$	$\pm$ ---		CHECKED BY	
	1 PLACE $\pm 0.25$	$\pm$ ---		GRMA	
	0 PLACE $\pm$	$\pm$		APPROVED BY	
	ANGULAR $\pm 3^\circ$		2004/07/20	YTYAP	
DRAFT WHERE APPLICABLE MUST REMAIN WITHIN DIMENSIONS		MATERIAL NO.		SEE SHEET 6	
		A3		THIS DRAWING CONTAINS INCORPORATED AND SHOULD	



ASSEMBLY P/N	DIMENSION					FEATURE		HOUSING COLOUR	GOLD PLATING IN CONTACT AREA	SHELL PLATING
	DIM A	DIM B	DIM C	DIM D	DIM E	FLANGE	BACK COVER TOP HOLES			
47151-0001									SEE NOTE 2 (1)	
47151-0041								BLACK	SEE NOTE 2 (2)	
47151-0051									SEE NOTE 2 (3)	
47151-0071								NATURE	SEE NOTE 2 (1)	SEE NOTE 2 (a)
47151-0061	1.80	2.20	/	/	/	W/O	WITH		SEE NOTE 2 (2)	
47151-0021								BLACK	SEE NOTE 2 (3)	
47151-0031								NATURE	SEE NOTE 2 (1)	SEE NOTE 2 (b)
47151-0101									SEE NOTE 2 (1)	
47151-0141								BLACK	SEE NOTE 2 (1)	
47151-0151									SEE NOTE 2 (2)	
47151-0111								NATURE	SEE NOTE 2 (3)	
47151-0181	1.45	1.45	/	/	/	W/O	WITH		SEE NOTE 2 (1)	SEE NOTE 2 (a)
47151-0161								BLACK	SEE NOTE 2 (2)	
47151-0121								NATURE	SEE NOTE 2 (3)	
47151-0131								BLACK	SEE NOTE 2 (1)	SEE NOTE 2 (b)
47151-0002									SEE NOTE 2 (1)	
47151-0042								BLACK	SEE NOTE 2 (2)	
47151-0062									SEE NOTE 2 (3)	
47151-0012								NATURE	SEE NOTE 2 (1)	SEE NOTE 2 (a)
47151-0052	1.80	2.20	M3.0x0.5	16.08	13.38	WITH	WITH		SEE NOTE 2 (2)	
47151-0072								BLACK	SEE NOTE 2 (3)	
47151-0022								NATURE	SEE NOTE 2 (1)	SEE NOTE 2 (b)
47151-0032									SEE NOTE 2 (1)	
47151-0102								BLACK	SEE NOTE 2 (2)	
47151-0142									SEE NOTE 2 (1)	
47151-0162								NATURE	SEE NOTE 2 (3)	
47151-0112									SEE NOTE 2 (1)	SEE NOTE 2 (a)
47151-0152	1.45	1.45	M3.0x0.5	16.08	13.38	WITH	WITH		SEE NOTE 2 (2)	
47151-0172								BLACK	SEE NOTE 2 (3)	
47151-0122								NATURE	SEE NOTE 2 (1)	SEE NOTE 2 (b)
47151-0132									SEE NOTE 2 (1)	
47151-6002								BLACK	SEE NOTE 2 (2)	
47151-6062	1.80	2.20	M3.0x0.5	14.25	11.28	WITH	WITH		SEE NOTE 2 (1)	SEE NOTE 2 (a)
47151-6082									SEE NOTE 2 (2)	
47151-6102								BLACK	SEE NOTE 2 (3)	
47151-6172	1.45	1.45	M3.0x0.5	14.25	11.28	WITH	WITH		SEE NOTE 2 (1)	SEE NOTE 2 (a)
47151-6162								BLACK	SEE NOTE 2 (2)	

REVISION NOTE

REVISE NOTE

EC NO: S2014-0536

2013/12/05

DRWNF:CS00

CHKD:JTAN02

2013/12/17

APPR:KHLIM

2013/12/20

DESCRIPTION

REV

QUALITY SYMBOLS

4 PLACES ± 0

3 PLACES ± 0

2 PLACES ± 0

1 PLACE ± 0

0 PLACE ± 0

GENERAL TOLERANCES (UNLESS SPECIFIED)

mm

inch

4 PLACES ± ---

3 PLACES ± ---

2 PLACES ± 0.25

1 PLACE ± 0.25

0 PLACE ±

ANGULAR ± 3°

DRAFT WHERE APPLICABLE MUST REMAIN WITHIN DIMENSIONS

MM ONLY

DATE

2004/07/20

DATE

2004/07/20

DATE

2004/07/20

DATE

2004/07/20

MATERIAL NO.

SEE SHEET 6

THIS DRAWING CONTAINS INCORPORATED AND SHOULD

F

ASSEMBLY P/N	DIMENSION			FEATURE		HOUSING COLOUR	GOLD PLATING IN CONTACT AREA	SHELL PLATING
	DIM A	DIM B	DIM C	DIM D	DIM E			
47151-1001							SEE NOTE 2 (1)	
47151-1041							SEE NOTE 2 (2)	
47151-1051							SEE NOTE 2 (3)	
47151-1003							SEE NOTE 2 (4)	
47151-1061							SEE NOTE 2 (1)	
47151-1071							SEE NOTE 2 (2)	SEE NOTE 2 (a)
47151-1081	1.80	2.20	/	/	/	W/O	SEE NOTE 2 (3)	
47151-1011							SEE NOTE 2 (1)	
47151-1211							SEE NOTE 2 (2)	
47151-1311							SEE NOTE 2 (3)	
47151-1021							SEE NOTE 2 (1)	
47151-1091							SEE NOTE 2 (3)	SEE NOTE 2 (b)
47151-1031							SEE NOTE 2 (1)	
47151-1101							SEE NOTE 2 (1)	
47151-1141							SEE NOTE 2 (2)	
47151-1151							SEE NOTE 2 (3)	SEE NOTE 2 (a)
47151-1111							SEE NOTE 2 (1)	
47151-1161	1.45	1.45	/	/	/	W/O	SEE NOTE 2 (2)	
47151-1171							SEE NOTE 2 (3)	
47151-1121							SEE NOTE 2 (1)	SEE NOTE 2 (b)
47151-1131							SEE NOTE 2 (1)	
47151-7102	1.45	1.45	13.00x0.5	16.08	13.38	WITH	SEE NOTE 2 (1)	SEE NOTE 2 (a)
47151-7142							SEE NOTE 2 (2)	
47151-7162							SEE NOTE 2 (3)	

D

C

B

A

REVISION NOTE		REV	
EC NO: S2014-0536	L1	DESCRIPTION	QUALITY SYMBOLS
2013/12/05	DRWF:CS00		△=0
2013/12/17	CHKD:JTAN02		△=0
2013/12/20	APPR:KHLIM		△=0
GENERAL TOLERANCES (UNLESS SPECIFIED)		DIMENSION STYLE	
MM	INCH	MM ONLY	NT
± 0.25	± 0.01	DRAWN BY	TITLE
± 0.25	± 0.01	RZHANG	2004/07/20
± 0.25	± 0.01	CHECKED BY	DATE
± 0.25	± 0.01	GRMA	2004/07/20
± 0.25	± 0.01	APPROVED BY	DATE
± 0.25	± 0.01	YTYAP	2004/07/20
ANGULAR ± 3°		MATERIAL NO.	DOCUMENT
DRAFT WHERE APPLICABLE MUST REMAIN WITHIN DIMENSIONS		SEE SHEET 6	
		SIZE THIS DRAWING CONTAINS INCORPORATED AND SHOULD	

ASSEMBLY P/N	DIMENSION				FEATURE		HOUSING COLOUR	GOLD PLATING IN CONTACT AREA	SHELL PLATING
	DIM A	DIM B	DIM C	DIM D	DIM E	FLANGE			
47151-1002								SEE NOTE 2 (1)	
47151-1042							BLACK	SEE NOTE 2 (2)	
47151-1052							BLACK	SEE NOTE 2 (3)	
47151-1062							NATURE	SEE NOTE 2 (4)	SEE NOTE 2 (a)
47151-2062	1.80	2.20	M3.0x0.5	16.08	13.38	WITH		SEE NOTE 2 (1)	
47151-1012						WITH		SEE NOTE 2 (1)	
47151-1072							BLACK	SEE NOTE 2 (2)	
47151-1082							NATURE	SEE NOTE 2 (3)	
47151-1022							BLACK	SEE NOTE 2 (1)	
47151-1032							NATURE	SEE NOTE 2 (1)	SEE NOTE 2 (b)
47151-1102							BLACK	SEE NOTE 2 (1)	
47151-1142							BLACK	SEE NOTE 2 (2)	
47151-1152							NATURE	SEE NOTE 2 (3)	SEE NOTE 2 (a)
47151-1112	1.45	1.45	M3.0x0.5	16.08	13.38	WITH		SEE NOTE 2 (1)	
47151-1162							BLACK	SEE NOTE 2 (2)	
47151-1172							NATURE	SEE NOTE 2 (3)	
47151-1122							BLACK	SEE NOTE 2 (1)	
47151-1132							NATURE	SEE NOTE 2 (1)	SEE NOTE 2 (b)
47151-1005							BLACK	SEE NOTE 2 (1)	
47151-1045							BLACK	SEE NOTE 2 (2)	
47151-1065							NATURE	SEE NOTE 2 (3)	
47151-1015							BLACK	SEE NOTE 2 (1)	
47151-1035	1.80	2.20	4-40	16.08	13.38	WITH		SEE NOTE 2 (2)	SEE NOTE 2 (a)
47151-1055							NATURE	SEE NOTE 2 (3)	
47151-1025							BLACK	SEE NOTE 2 (1)	
47151-1075							BLACK	SEE NOTE 2 (2)	
47151-1085							NATURE	SEE NOTE 2 (3)	
47151-1026							BLACK	SEE NOTE 2 (1)	
47151-6012							BLACK	SEE NOTE 2 (1)	
47151-6042							BLACK	SEE NOTE 2 (2)	
47151-6052	1.80	2.20					BLACK	SEE NOTE 2 (3)	
47151-6022			M3.0x0.5	14.25	11.28	WITH		SEE NOTE 2 (1)	SEE NOTE 2 (a)
47151-6032							BLACK	SEE NOTE 2 (3)	
47151-6112	1.45	1.45					BLACK	SEE NOTE 2 (1)	
47151-6142							BLACK	SEE NOTE 2 (2)	
47151-6152							BLACK	SEE NOTE 2 (3)	

SCA		DIMENSION STYLE		MM ONLY		DRAWN BY		DATE		2004/07/20		TITLE	
NT		(UNLESS SPECIFIED)		INCH		RZHANG		CHECKED BY		GRMA		2004/07/20	
QUALITY SYMBOLS		4 PLACES ± 0		3 PLACES ± 0		2 PLACES ± 0.25		1 PLACE ± 0.25		0 PLACE ±		APPROVED BY	
DESCRIPTION		ANGULAR ± 3°		DRAFT WHERE APPLICABLE		MUST REMAIN WITHIN DIMENSIONS		SEE SHEET 6		THIS DRAWING CONTAINS INCORPORATED AND SHOULD		SIZE A3	
REV		L1		EC NO: S2014-0536		REVISE NOTE		DRWNG: CS00		2013/12/05		2013/12/17	
APP: KHLIM		2013/12/20		CHD: JTAN02		2013/12/17		APPR: KHLIM		2013/12/20		MATERIAL NO.	

## Looking for pricing, stock, or lifecycle information?

Click below to explore more details on WIN SOURCE:

 [View 47151-6012 on WIN SOURCE](#)

 [Molex, LLC Information](#)

## Optimize Your Supply Chain with WIN SOURCE Solutions

-  Global Sourcing Solution
-  Obsolete Management
-  Cost Control Management
-  Shortage Management
-  Alternative Solution
-  Excess Inventory Management