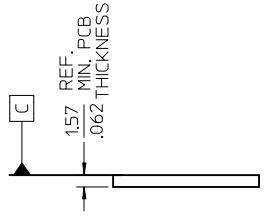
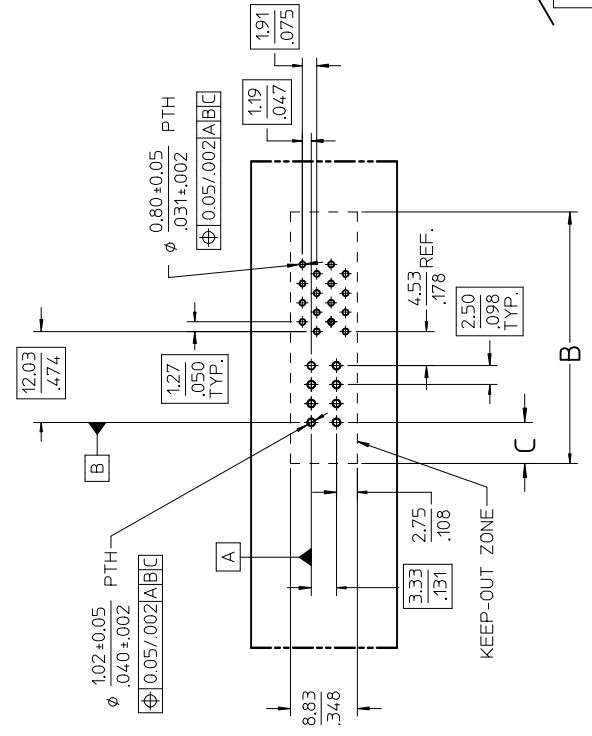
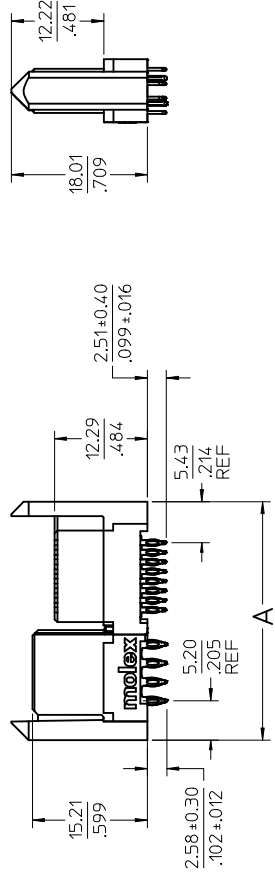
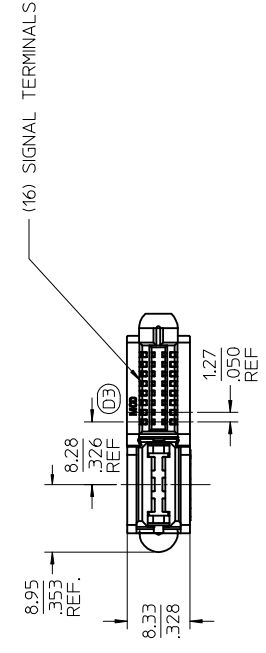




THE DATASHEET OF
46114-2201



13 12 11 10 9 8 7 6 5 4

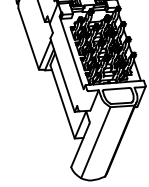


NO OF SIGNALS	MATERIAL NUMBER	COMPLIANT PLATING
12	46114-2120	TIN
16	46114-2160	TIN
20	46114-2200	TIN
24	46114-2240	TIN
28	46114-2280	TIN
32	46114-2320	TIN
36	46114-2360	TIN
40	46114-2400	TIN

NOTES:
 1. MATERIAL: HOUSING: LCP
 POWER CONT.
 SIGNAL CONT.

2. FINISH: SELECT GOLD -
 SELECTED TIN
 BOTH OVER NICKEL

3. POWER TERMINALS ARE
 4. PARTS ARE ROHS COMP
 5. MATES TO MOLEX P/N 7
 6. PRODUCT SPECIFICATION
 7. PACKAGING: PER PK-46



MATERIAL # 46

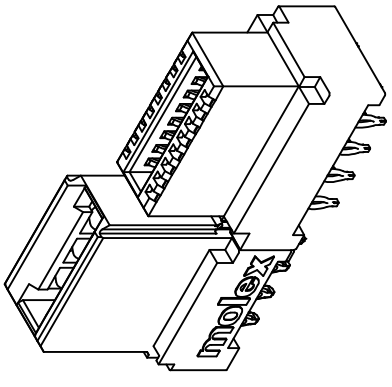
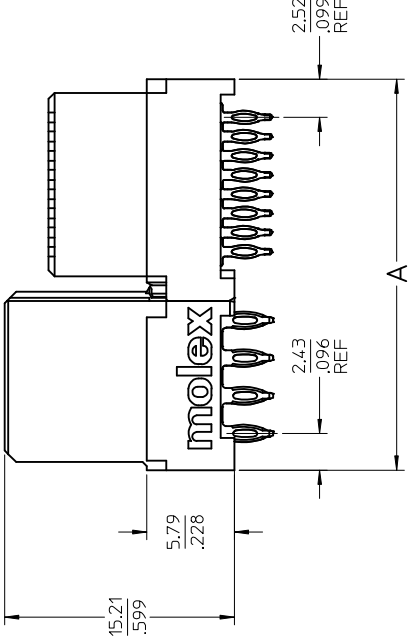
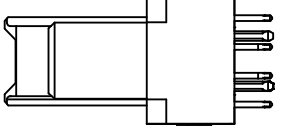
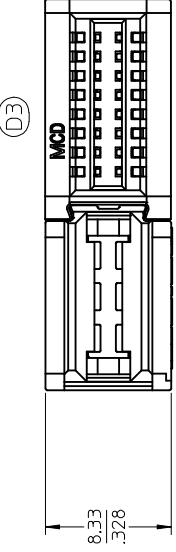
QUALITY SYMBOLS		GENERAL TOLERANCES (UNLESS SPECIFIED)		DIMENSION STYLE	
		MM	INCH	MM/IN	
		4 PLACES ±	±	DRAWN BY	DATE
		3 PLACES ±	±0.10	MKARADIMAS	07/23/07
		2 PLACES ±	±0.25	CHECKED BY	DATE
		1 PLACE ±	±	APATEL	07/25/07
		ANGULAR ±1/2°		APPROVED BY	DATE
				JCOMERC I	2009/12/03
		DRAFT WHERE APPLICABLE MUST REMAIN WITHIN DIMENSIONS		MATERIAL NO.	
				SEE CHART	
				SIZE THIS DRAWING CONTAINED AND SH	

REV	DESCRIPTION
D3	UPDATE LOGO
	FC NO: S2016-1044
	DRW:ALIN06
	CHKD:JZENG
	APP:KHLIM
	2016/06/03
	2016/06/10

13 12 11 10 9 8 7 6 5 4

13 12 11 10 9 8 7 6 5 4

NO. OF SIGNALS	MATERIAL NUMBER	COMPLIANT PLATING
12	46114-2121	TIN
16	46114-2161	TIN
20	46114-2201	TIN
24	46114-2241	TIN
28	46114-2281	TIN
32	46114-2321	TIN
36	46114-2361	TIN
40	46114-2401	TIN



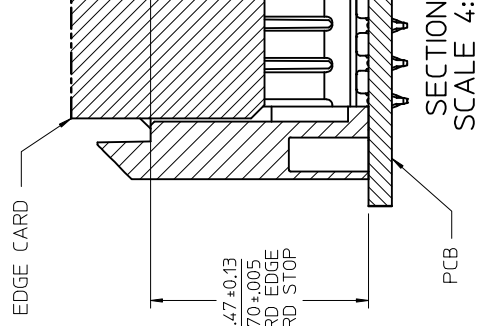
MATERIAL # 46114-21

UPDATE LOGO
 EC NO: S2006-10044
 DRW:ALIN06 2016/05/18
 CHK:DJZENG 2016/06/03
 APP:KHLIM 2016/06/10

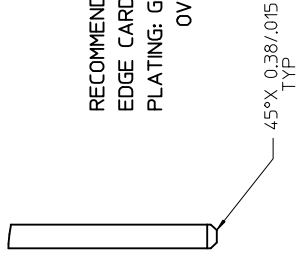
DESCRIPTION

QUALITY SYMBOLS	GENERAL TOLERANCES (UNLESS SPECIFIED)	DIMENSION STYLE
	mm INCH	MM/IN
	4 PLACES ± .005 ± .005	DRAWN BY DATE MKARADIMAS 07/23/07
	3 PLACES ± .010 ± .010	CHECKED BY DATE APATEL 07/25/07
	2 PLACES ± 0.25 ± .005	APPROVED BY DATE JCOMERC I 2009/12/03
	1 PLACE ± .010 ± .005	MATERIAL NO. SEE CHART
	ANGULAR ±1/2°	<input checked="" type="checkbox"/> THIS DRAWING CONTAINS INCORPORATED AND SUPERSEDED DIMENSIONS
DRAFT WHERE APPLICABLE MUST REMAIN WITHIN DIMENSIONS		

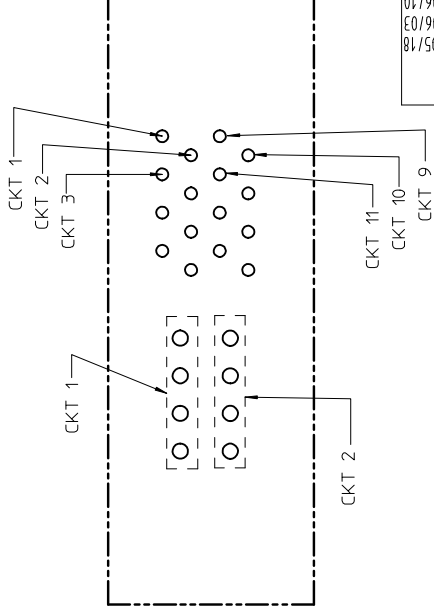
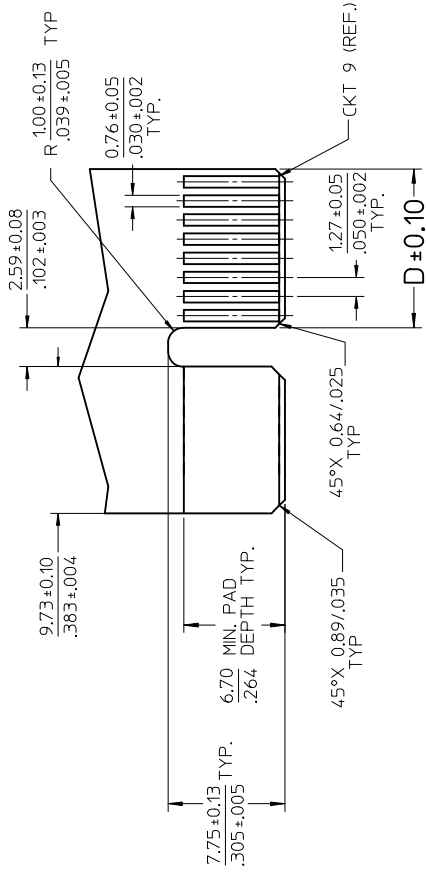
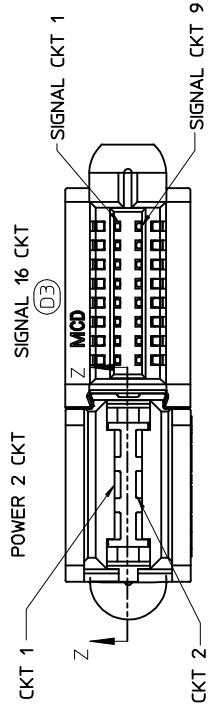
13 12 11 10 9 8 7 6 5 4



RECOMMENDED EDGE CARD LAYOUT
EDGE CARD THICKNESS: 1.57/.062 ± 0.1
PLATING: GOLD 30 μ INCHES MIN.
OVER 150 μ INCHES NICKEL.



PCB LAYOUT: COMPONENT SIDE
SEE SHT 1 FOR DIMENSIONS.



UPDATE LOGO		REV	
EC NO: 2016/05/18	DRMKAL IN06	2016/05/18	D3
CHKD: JZENG	2016/06/03	APPR: KHLIM	2016/06/10
DESCRIPTION		GENERAL TOLERANCES (UNLESS SPECIFIED)	
DIMENSION STYLE		MM/IN	TT
DRAWN BY		MM/IN	DATE
MKARADIMAS		±---	07/23/07
CHECKED BY		±---	DATE
APATEL		±0.10	07/25/07
APPROVED BY		±---	DATE
JCOMERCI		±---	2009/12/03
MATERIAL NO.		ANGULAR ±1/2°	DC
SEE CHART		DRAFT WHERE APPLICABLE MUST REMAIN WITHIN DIMENSIONS	
SIZE		THIS DRAWING CONTAINS INCORPORATED AND SH	

Looking for pricing, stock, or lifecycle information?

Click below to explore more details on WIN SOURCE:

 [View 46114-2201 on WIN SOURCE](#)

 [Molex, LLC Information](#)

Optimize Your Supply Chain with WIN SOURCE Solutions

-  Global Sourcing Solution
-  Obsolete Management
-  Cost Control Management
-  Shortage Management
-  Alternative Solution
-  Excess Inventory Management