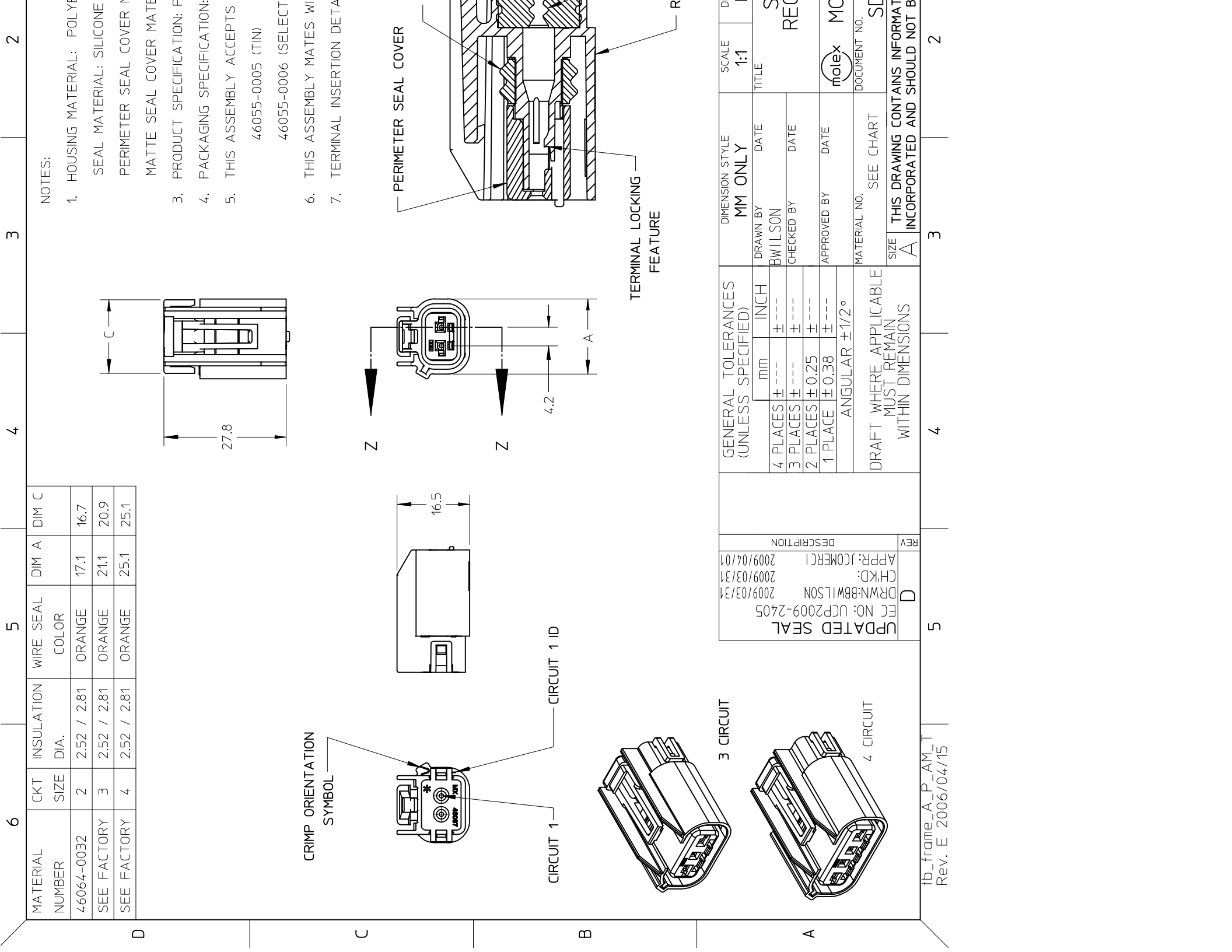




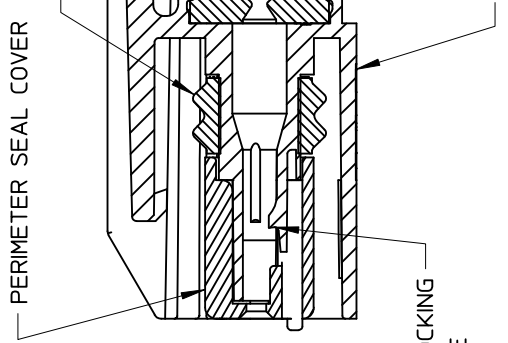
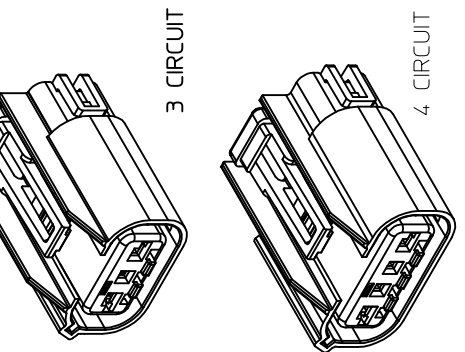
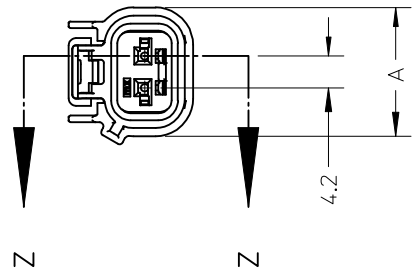
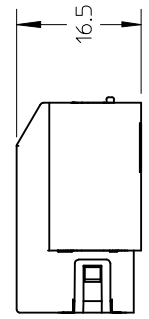
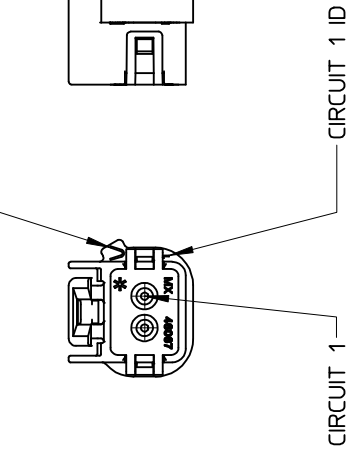
THE DATASHEET OF
46064-0032





| MATERIAL NUMBER | CKT SIZE | INSULATION DIA. | WIRE SEAL COLOR | DIM A | DIM C |
|-----------------|----------|-----------------|-----------------|-------|-------|
| 46064-0032 | 2 | 2.52 / 2.81 | ORANGE | 17.1 | 16.7 |
| SEE FACTORY | 3 | 2.52 / 2.81 | ORANGE | 21.1 | 20.9 |
| SEE FACTORY | 4 | 2.52 / 2.81 | ORANGE | 25.1 | 25.1 |

CRIMP ORIENTATION SYMBOL



NOTES:

- HOUSING MATERIAL: POLYMER
- SEAL MATERIAL: SILICONE
- PERIMETER SEAL COVER MATERIAL: MATTE SEAL COVER MATERIAL
- PRODUCT SPECIFICATION: F
- PACKAGING SPECIFICATION: A
- THIS ASSEMBLY ACCEPTS 46055-0005 (TIN) 46055-0006 (SELECT)
- THIS ASSEMBLY MATES WITH 46055-0005 (TIN) 46055-0006 (SELECT)
- TERMINAL INSERTION DATA

| REV | DESCRIPTION |
|-----|--|
| D | UPDATED SEAL EC NO: UCP2009-2405 DRWN: BWILSON 2009/03/31 CHKD: 2009/03/31 APPR: JCOMERCI 2009/04/01 |

| GENERAL TOLERANCES (UNLESS SPECIFIED) | mm | INCH |
|---------------------------------------|--------|---------|
| 4 PLACES | ± 0.25 | ± 0.010 |
| 3 PLACES | ± 0.25 | ± 0.010 |
| 2 PLACES | ± 0.25 | ± 0.010 |
| 1 PLACE | ± 0.38 | ± 0.015 |
| ANGULAR ± 1/2° | | |

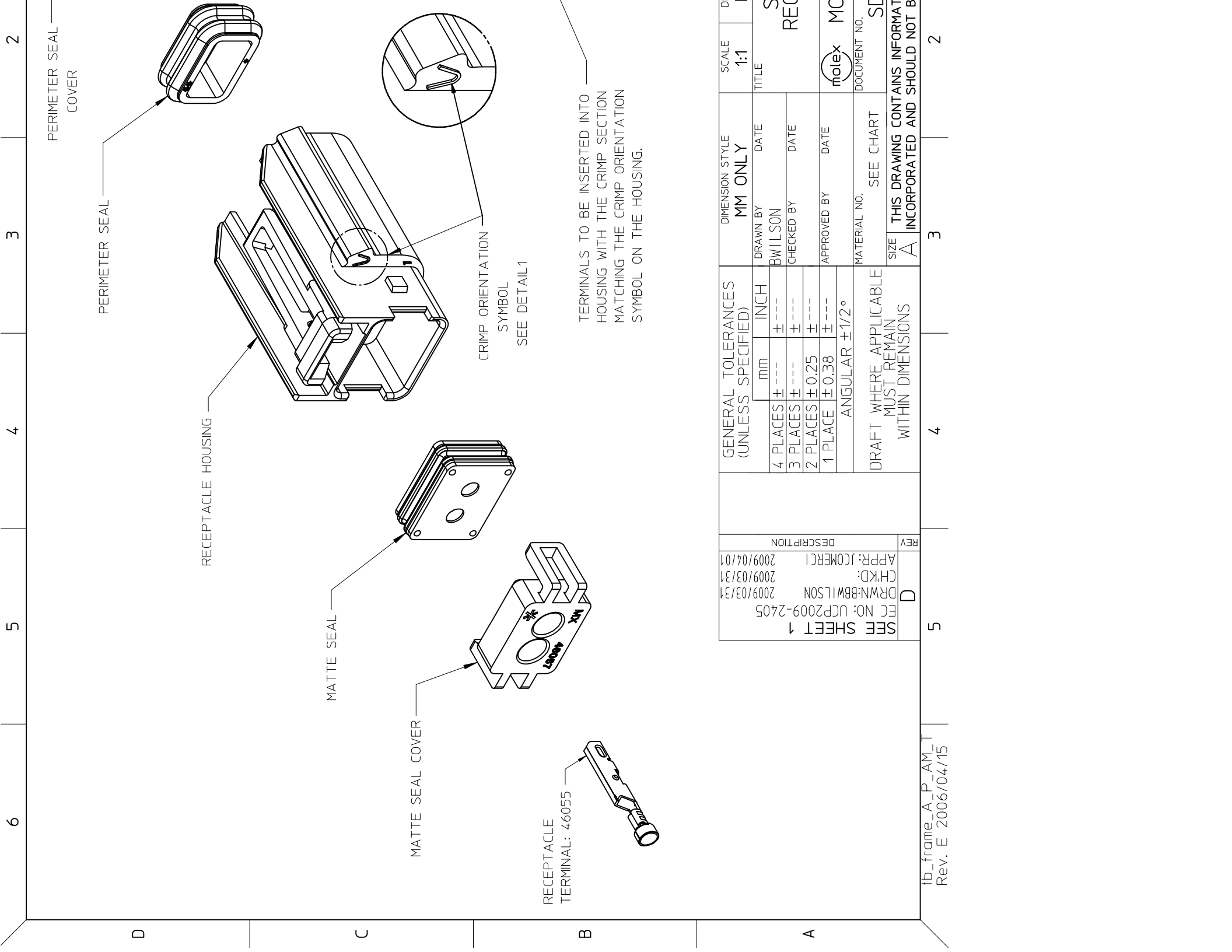
DRAFT WHERE APPLICABLE MUST REMAIN WITHIN DIMENSIONS

| DIMENSION STYLE | SCALE | TITLE |
|-----------------|-------|-------|
| MM ONLY | 1:1 | REC |

APPROVED BY: DATE

MATERIAL NO. SEE CHART

SIZE A THIS DRAWING CONTAINS INFORMATION INCORPORATED AND SHOULD NOT BE



PERIMETER SEAL COVER

PERIMETER SEAL

RECEPTACLE HOUSING

MATTE SEAL

MATTE SEAL COVER

RECEPTACLE TERMINAL: 46055

CRIMP ORIENTATION SYMBOL
SEE DETAIL 1

TERMINALS TO BE INSERTED INTO HOUSING WITH THE CRIMP SECTION MATCHING THE CRIMP ORIENTATION SYMBOL ON THE HOUSING.

D

C

B

A

| | | |
|---------------------|-----------------------------|-------------|
| SEE SHEET 1 | DRWN:BBWILSON 2009/03/31 | REV |
| EC NO: UCP2009-2405 | CHKD: 2009/03/31 | DESCRIPTION |
| APP: JCOMERC1 | 2009/04/01 | |

| | | | |
|--|-------|-----------------|----------|
| GENERAL TOLERANCES (UNLESS SPECIFIED) | | DIMENSION STYLE | |
| mm | INCH | MM ONLY | SCALE |
| 4 PLACES ± --- | ± --- | DRAWN BY | 1:1 |
| 3 PLACES ± --- | ± --- | BWILSON | TITLE |
| 2 PLACES ± 0.25 | ± --- | CHECKED BY | RECEIVED |
| 1 PLACE ± 0.38 | ± --- | APPROVED BY | |
| ANGULAR ± 1/2° | | MATERIAL NO. | |
| DRAFT WHERE APPLICABLE MUST REMAIN WITHIN DIMENSIONS | | SEE CHART | |

| | | | |
|------|--------------------------------|--------------|--|
| SIZE | | DOCUMENT NO. | |
| A | INCORPORATED AND SHOULD NOT BE | MOLEX MC | |

tb_frame_A_P_AM_T
Rev. E 2006/04/15

5

4

3

2

THIS DRAWING CONTAINS INFORMATION THAT IS UNCLASSIFIED

Looking for pricing, stock, or lifecycle information?

Click below to explore more details on WIN SOURCE:

 [View 46064-0032 on WIN SOURCE](#)

 [Molex, LLC Information](#)

Optimize Your Supply Chain with WIN SOURCE Solutions

-  Global Sourcing Solution
-  Obsolete Management
-  Cost Control Management
-  Shortage Management
-  Alternative Solution
-  Excess Inventory Management