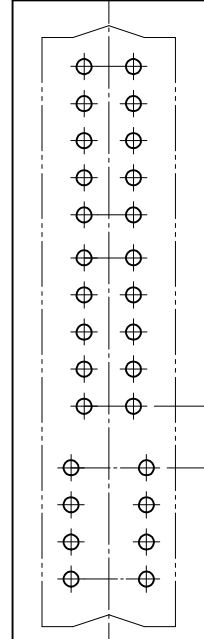
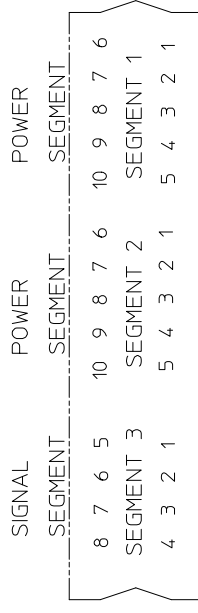
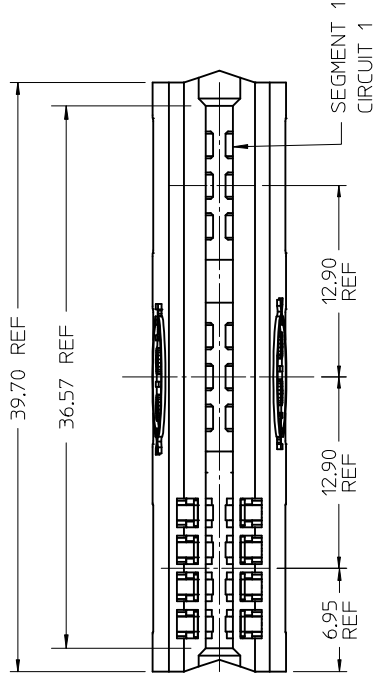




THE DATASHEET OF
45912-0001





DIM S BETWEEN SIGNAL SEG AND SIGNAL SEG: 5.40
 DIM S BETWEEN POWER SEG AND POWER SEG: 2.90
 DIM S BETWEEN SIGNAL SEG AND POWER SEG: 4.15

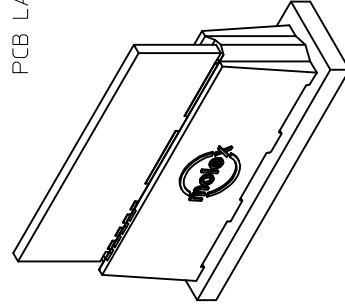
RECOMMENDED
 EDGE CARD
 LAYOUT
 SEE SHT 1 FOR
 ADDITIONAL DETAILS
 TOLERANCE: ±0.05

TOOLING STATUS	MATERIAL NUMBER	SEGMENT 3	SEG
TOOLED	45912-0007	SIGNAL	POW
TOOLED	45912-0008	POWER	SIG
TOOLED	45912-1108	POWER	SIG
TOOLED	45912-2108	VOID	SIG
TOOLED	45912-0009	SIGNAL	SIG
TOOLED	45912-0010	SIGNAL	POW
TOOLED	45912-0011	POWER	SIG
TOOLED	45912-0012	POWER	POW
--	SEE 45845	SIGNAL	SIG
--	SEE 45714	POWER	POW

MATERIAL NUMBER:
 SEE SHEET ONE FOR

PCB LAYOUT: COMPONENT SIDE

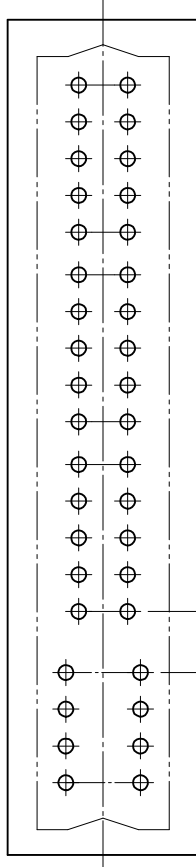
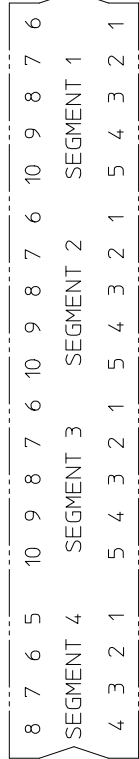
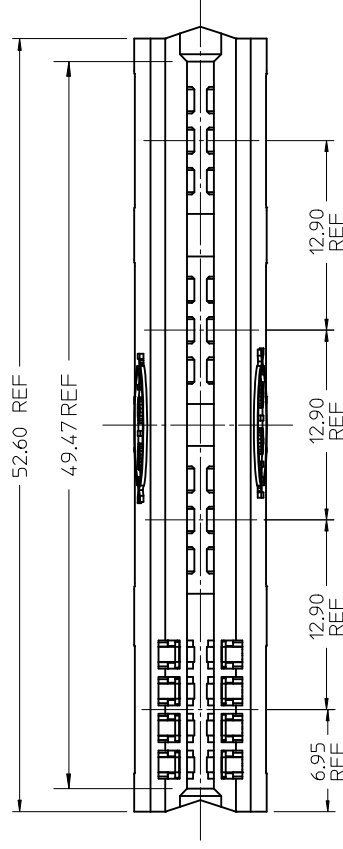
QUALITY SYMBOLS	GENERAL TOLERANCES (UNLESS SPECIFIED)	DIMENSION STYLE	SCALE	DE
	mm ± ---	MM ONLY	2:1	M
	inch ± ---	DRAWN BY	TITLE	
	4 PLACES ± ---	SAMIEC	2005/04/14	POW
	3 PLACES ± ---	CHECKED BY	DATE	POW
	2 PLACES ± 0.25	SAMIEC	2005/04/14	
	1 PLACE ± 0.25	APPROVED BY	DATE	
	ANGULAR ± 1/2°	MARGULIS	2005/04/14	MO
	DRAFT WHERE APPLICABLE MUST REMAIN WITHIN DIMENSIONS	MATERIAL NUMBER	DOCUMENT NO.	
		SEE CHART	SD-45912-	



tb_frame_A_P_AM_T
 Rev. D 2004/06/28

THIS DRAWING CONTAINS INFORMATION INCORPORATED AND SHOULD NOT BE

6 5 4 3 2



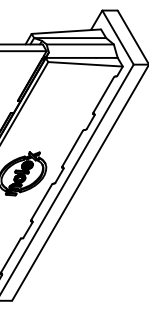
DIM S BETWEEN SIGNAL SEG AND SIGNAL SEG: 5.40
 DIM S BETWEEN POWER SEG AND POWER SEG: 2.90
 DIM S BETWEEN SIGNAL SEG AND POWER SEG: 4.75

PCB LAYOUT: COMPONENT SIDE
 MATERIAL NUMBER 45912-0025 SHOWN
 SEE SHEET ONE FOR OTHER NOTES AND DIM.

REV	DESCRIPTION
T5	FC NO: UCP2014-5371 DRWN: JSCHAFFER 2014/08/27 CHKD: APPR: APATEL 2014/09/103

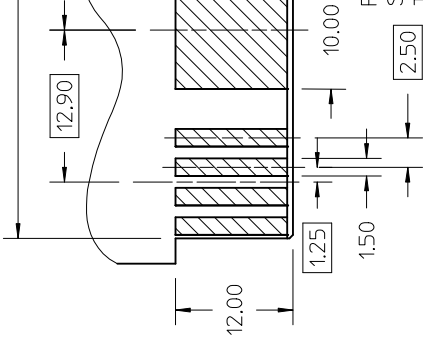
QUALITY SYMBOLS	GENERAL TOLERANCES (UNLESS SPECIFIED)
	4 PLACES ± --- INCH
	3 PLACES ± --- INCH
	2 PLACES ± 0.25 INCH
	1 PLACE ± 0.25 INCH
	ANGULAR ±1/2°
DRAFT WHERE APPLICABLE MUST REMAIN WITHIN DIMENSIONS	

DRAWN BY	DATE	DIMENSION STYLE	SCALE
SAMIEC	2005/04/14	MM ONLY	2:1
CHECKED BY	DATE	TITLE	
SAMIEC	2005/04/14	POW POW	
APPROVED BY	DATE		
MARGULIS	2005/04/14		



tb_frame_A_P_AM_T
 Rev. D 2004/06/28

TOOLING STATUS	MATERIAL NUMBER	SEGMENT	SECTION
TOOLED	45912-0025	SIGNAL	PC
TOOLED	45912-0026	POWER	SIC
TOOLED	45912-0027	SIGNAL	SIC
TOOLED	45912-0028	SIGNAL	PC
TOOLED	45912-0029	POWER	SIC
TOOLED	45912-0030	POWER	PC
TOOLED	45912-0031	SIGNAL	SIC
TOOLED	45912-0032	SIGNAL	PC
TOOLED	45912-0033	POWER	SIC
TOOLED	45912-0034	SIGNAL	SIC
TOOLED	45912-0035	SIGNAL	PC
TOOLED	45912-0036	POWER	SIC
TOOLED	45912-0037	POWER	PC
TOOLED	45912-0038	POWER	PC



MOLEX
 DOCUMENT NO.
 SD-45912-

SIZE A THIS DRAWING CONTAINS INFORMATION INCORPORATED AND SHOULD NOT BE

5 4 3 2

Looking for pricing, stock, or lifecycle information?

Click below to explore more details on WIN SOURCE:

 [View 45912-0001 on WIN SOURCE](#)

 [Molex, LLC Information](#)

Optimize Your Supply Chain with WIN SOURCE Solutions

-  Global Sourcing Solution
-  Obsolete Management
-  Cost Control Management
-  Shortage Management
-  Alternative Solution
-  Excess Inventory Management