



THE DATASHEET OF
43202-8818



NOTES:

- 1) MATERIAL:
HOUSING: NYLON(PA), GLASS FILLED, UL94V-0, COLOR: SEE SHEETS 5 AND 6
INSULATOR: NYLON(PA), GLASS FILLED, UL94V-0, COLOR: SEE SHEETS 5 AND 6
TERMINALS: PHOSPHOR BRONZE, .012/ 0.30 THICK
SHIELD: BRASS, .007/ 0.18 THICK

2) FINISH:

TERMINALS:

- A = SELECT GOLD IN CONTACT AREA: 50 MICROINCHES / 1.27 MICROMETERS MIN.,
*SELECT TIN IN PC TAIL AREA: 100 MICROINCHES / 2.54 MICROMETERS MIN.,
WITH OVERALL NICKEL UNDERPLATE: 50 MICROINCHES / 1.27 MICROMETERS MIN.
- B = SELECT GOLD IN CONTACT AREA: 30 MICROINCHES / 0.76 MICROMETERS MIN.,
*SELECT TIN IN PC TAIL AREA: 100 MICROINCHES / 2.54 MICROMETERS MIN.,
WITH OVERALL NICKEL UNDERPLATE: 50 MICROINCHES / 1.27 MICROMETERS MIN.
*THE PRIMARY SHIPPING CARTON WILL BE LABELED "COMPLIANT TO ROHS
DIRECTIVE 2002/95/EC AND ELV ANNEX II OF DIRECTIVE 2000/53/EC".
CARTONS WITHOUT THIS LABEL MAY CONTAIN PRODUCT WITH TIN-LEAD
IN THE PC TAILS AND/OR SHIELD.

SHIELD:

- 100 MICROINCHES / 2.54 MICROMETERS NICKEL OVER 50 MICROINCHES / 1.27
MICROMETERS COPPER UNDERPLATE PCB GROUND TABS DIPPED IN TIN

- 3) PRODUCT SPECIFICATION AND PROCESSING PARAMETERS: PS-4320Z.
- 4) PACKAGING SPECIFICATION:
UNSHIELDED CONNECTOR ASSEMBLIES PACKAGED IN THERMOFORMED TRAYS
PER MOLEX PACKAGING SPECIFICATION PK-43202-003.
UNSHIELDED CONNECTOR ASSEMBLIES PACKAGED IN TUBES
PER MOLEX PACKAGING SPECIFICATION PK-43202-005.
SHIELDED CONNECTOR ASSEMBLIES PACKAGED IN THERMOFORMED TRAYS
PER MOLEX PACKAGING SPECIFICATION PK-43202-004.
- 5) SEE SHEETS 7 - 9 FOR P.C. BOARD LAYOUTS.
- 6) CONFORMS TO FCC REGULATION PART 68.5 FOR MODULAR JACKS.
- 7) THIS PART CONFORMS TO CLASS B REQUIREMENTS OF COSMETIC
SPECIFICATION PS-45499-002.

DRAWING LEGEND

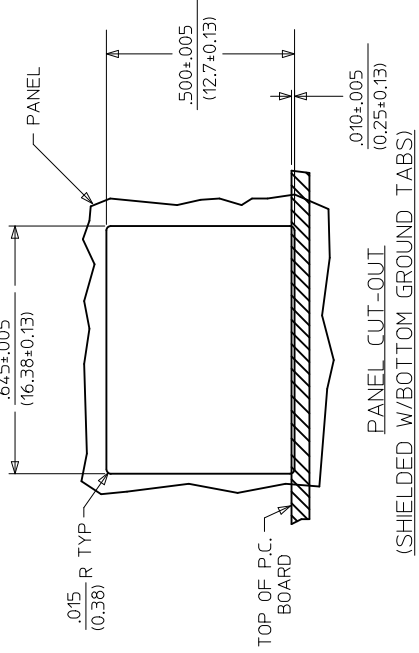
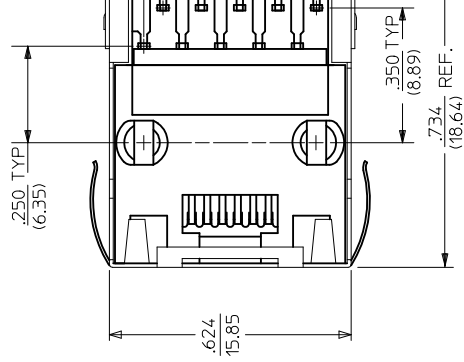
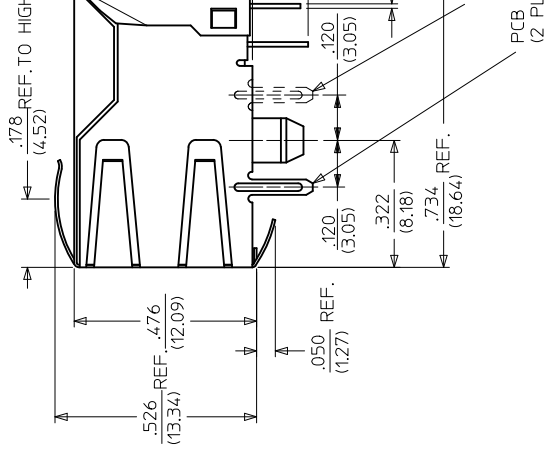
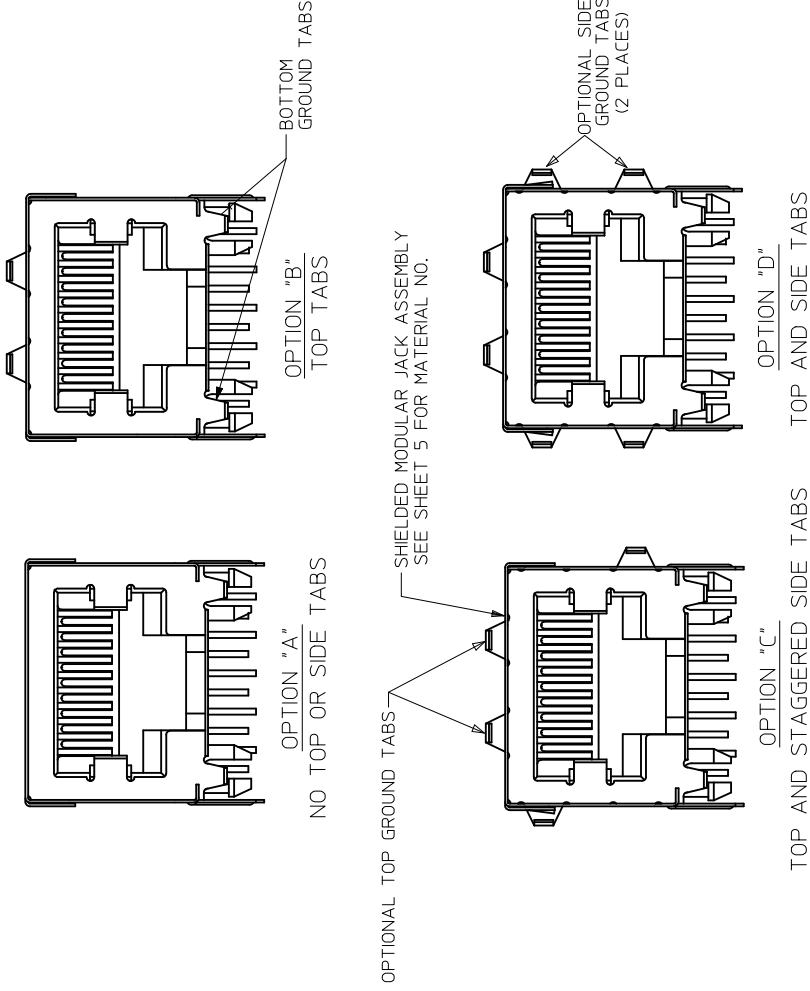
- SHEET 1- NOTES, DRAWING LEGEND
- SHEET 2- SHIELDED MODULAR JACK W/ BOTTOM GROUND TABS
- SHEET 3- SHIELDED MODULAR JACK W/O BOTTOM GROUND TABS
- SHEET 4- UNSHIELDED MODULAR JACK
- SHEET 5- PART NUMBER CHARTS
- SHEET 6- PART NUMBER CHARTS
- SHEET 7- FOOTPRINT LAYOUT FOR 4 POSITION HOUSING
- SHEET 8- FOOTPRINT LAYOUT FOR 6 POSITION HOUSING
- SHEET 9- FOOTPRINT LAYOUT FOR 8 POSITION HOUSING

ADD VIEWS	REV	DESCRIPTION	QUALITY SYMBOLS	GENERAL TOLERANCES (UNLESS SPECIFIED)	DIMENSION STYLE
FC NO: UCR2012-2472	L5	DRW: NANGUYEN	▽=0	MM ± ---	IN/MM
DRW: NANGUYEN		2012/02/03	▽=0	INCH ± ---	
CHKD: J.BELL		2012/02/03	▽=0	4 PLACES ± ---	DRAWN BY JTR
APP: FSMITH		2012/02/09		3 PLACES ± ---	CHECKED BY JTR
				2 PLACES ± 0.25	DATE 1993/03/31
				1 PLACE ± 0.36	DATE 1993/03/31
				ANGULAR ±1/2°	APPROVED BY
				DRAFT WHERE APPLICABLE MUST REMAIN WITHIN DIMENSIONS	DATE 2012/02/09
					MATERIAL NO. FSMITH
					SEE SHTS 5&6
					SIZE THIS DRAWING CONTAINED AND SI

SHIELDED MODULAR JACK W/BOTTOM GROUND TABS

SIZE 8 LOADED 10 VERSION SHOWN

SIDE/TOP GROUND TAB OPTIONS FOR SHIELDS



HOUSING SIZE	CIRCUIT SIZE	B
8	10	.450±.005 11.43±.13
8	8	.350±.005 8.89±.13

QUALITY SYMBOLS	GENERAL TOLERANCES (UNLESS SPECIFIED)	INCH	M/M
$\nabla = 0$	4 PLACES ± ---	± ---	
$\nabla = 0$	3 PLACES ± ---	± .010	
$\nabla = 0$	2 PLACES ± .025	± .014	
$\nabla = 0$	1 PLACE ± 0.36	± ---	
	ANGULAR ± 1/2°		

DATE	BY	DATE	BY
1993/03/31	JTR	1993/03/31	JTR
1993/03/31	JTR	1993/03/31	JTR
2012/02/09	FSM/TH	2012/02/09	FSM/TH

DESCRIPTION	REV
DRW:MMANGUYEN	LS
CHKD:JBELL	
APP:FSM/TH	
DATE:2012/02/03	
DATE:2012/02/09	

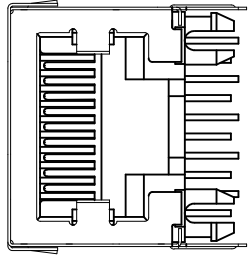
FC NO:	UCP2012-2472
SEE SHEET 1	

MATERIAL NO	DATE
SEE SHEET 5	1993/03/31
THIS DRAWING CONTAINS INCORPORATED AND S	2012/02/09

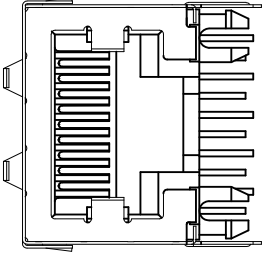
SHIELDED MODULAR JACK W/O BOTTOM GROUND TABS

SIZE 8, LOADED 10 VERSION SHOWN

SIDE/TOP GROUND TAB OPTIONS FOR SHIELDS



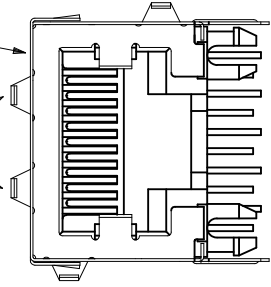
OPTION "E"
NO TOP OR SIDE TABS



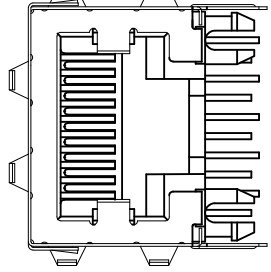
OPTION "F"
TOP TABS

OPTIONAL TOP GROUND TABS

SHIELDED MODULAR JACK ASSEMBLY
SEE SHEET 6 FOR MATERIAL NO.

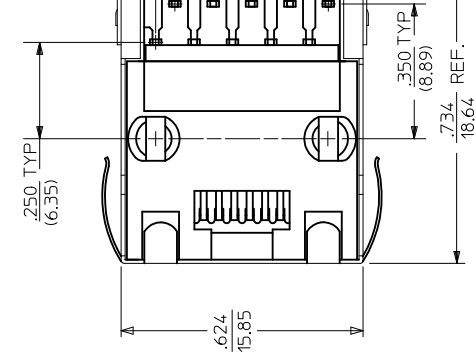
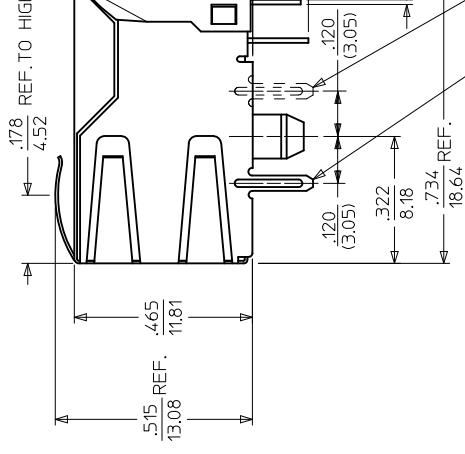


OPTION "G"
TOP AND STAGGERED SIDE TABS

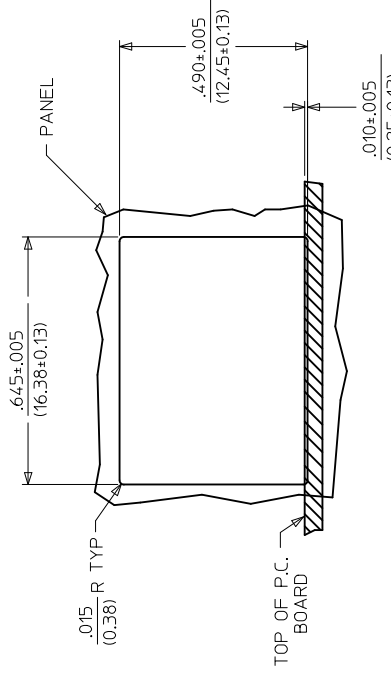


OPTION "H"
TOP AND SIDE TABS

OPTIONAL SIDE
GROUND TABS
(2 PLACES)



HOUSING SIZE	CIRCUIT SIZE	DIM. B
8	10	.450±.005 (11.43±0.13)
8	8	.350±.005 (8.89±0.13)

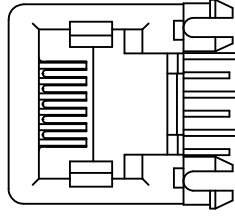


PANEL CUT-OUT
(SHIELDED W/O BOTTOM GROUND TABS)

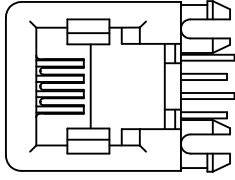
QUALITY SYMBOLS		GENERAL TOLERANCES (UNLESS SPECIFIED)		DIMENSION STYLE	
	4 PLACES ±	mm	INCH	DRAWN BY	DATE
	3 PLACES ±	± .010	± .010	JTR	1993/03/31
	2 PLACES ±	± 0.25	± .014	CHECKED BY	DATE
	1 PLACE ±	± 0.36	±	JTR	1993/03/31
		ANGULAR ±1/2°		APPROVED BY	DATE
				FSM/TH	2012/02/09
				MATERIAL NO	
				SEE SHEET 6	
				THIS DRAWING CONTAINS INCORPORATED AND SIZE	

UNSHIELDED MODULAR JACKS

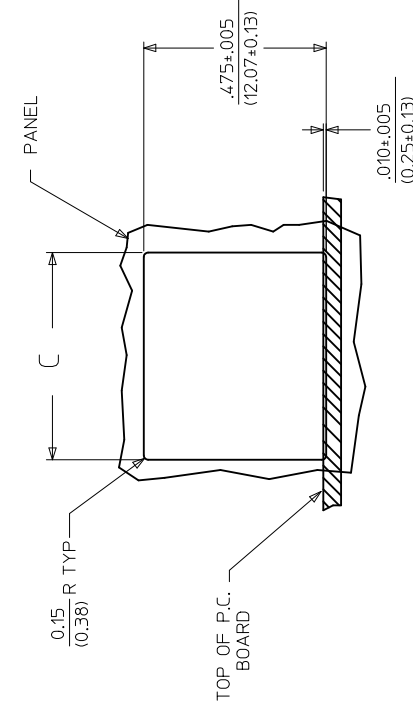
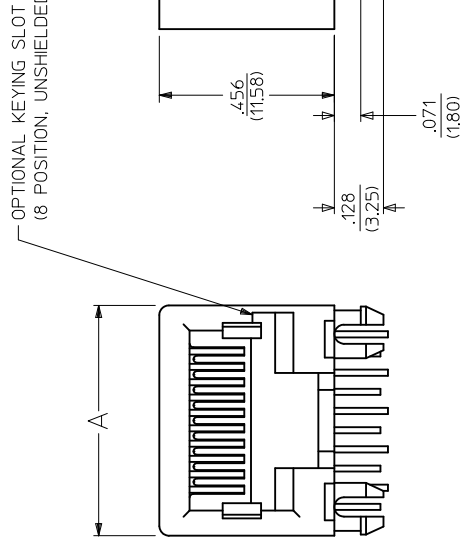
SIZE 8, LOADED 10 SHOWN



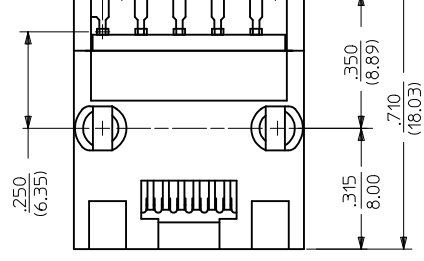
SIZE 6
LOADED 6 SHOWN



SIZE 4
LOADED 4 SHOWN



PANEL CUT-OUT (UNSHIELDED)



HOUSING SIZE	LOADED CIRCUITS	A	B	C
4	4	.440 (11.18)	.150±.005 (3.81±0.13)	.460±.005 (11.68±0.13)
4	2	.440 (11.18)	.050±.005 (1.27±0.13)	.460±.005 (11.68±0.13)
6	6	.520 (13.21)	.250±.005 (6.35±0.13)	.540±.005 (13.72±0.13)
6	4	.520 (13.21)	.150±.005 (3.81±0.13)	.540±.005 (13.72±0.13)
6	2	.520 (13.21)	.050±.005 (1.27±0.13)	.540±.005 (13.72±0.13)
8	10	.600 (15.24)	.450±.005 (11.43±0.13)	.620±.005 (15.75±0.13)
8	8	.600 (15.24)	.350±.005 (8.89±0.13)	.620±.005 (15.75±0.13)
8	6	.600 (15.24)	.250±.005 (6.35±0.13)	.620±.005 (15.75±0.13)
8	4	.600 (15.24)	.150±.005 (3.81±0.13)	.620±.005 (15.75±0.13)
8	2	.600 (15.24)	.050±.005 (1.27±0.13)	.620±.005 (15.75±0.13)

REV	DESCRIPTION
1	DRW:ANNAGUYEN 2012/02/03
2	CHKD:JBELL 2012/02/03
3	APP:FSMITH 2012/02/09




QUALITY SYMBOLS	GENERAL TOLERANCES (UNLESS SPECIFIED)	INCH	M/M
∇=0	4 PLACES ±---	±---	±---
∇=0	3 PLACES ±---	±0.10	±0.10
∇=0	2 PLACES ±0.25	±0.14	±0.14
∇=0	1 PLACE ±0.36	±---	±---
	ANGULAR ±1/2°		

DRAWN BY	DATE	DIMENSION STYLE
JTR	1993/03/31	IN/MM
CHECKED BY	DATE	
JTR	1993/03/31	
APPROVED BY	DATE	
FSMITH	2012/02/09	
MATERIAL NO		
SEE SHEET 6		
SIZE THIS DRAWING CONTAINS		
INCORPORATED AND SH		

13 12 11 10 9 8 7 6 5 4

SHIELDED MODULAR JACKS W/BOTTOM GROUND TABS (SHEET 2)

ASSEMBLY MATERIAL NUMBER	CONNECTOR SIZE	NUMBER OF CIRCUITS	SIDE/TOP PANEL GROUND TAB OPTION	PCB GROUND TAB OPTION	TERMINAL PLATING OPTION	PACKAGING OPTION	HOUSING COLOR
43202-8900	8	10	A	FRONT POSITION	A	TRAY	BLACK
43202-8901	8	10	B	FRONT POSITION	A	TRAY	
43202-8902	8	10	C	FRONT POSITION	A	TRAY	
43202-8903	8	10	D	FRONT POSITION	A	TRAY	
43202-8908	8	10	A	REAR POSITION	A	TRAY	
43202-8909	8	10	B	REAR POSITION	A	TRAY	
43202-8910	8	10	C	REAR POSITION	A	TRAY	
43202-8911	8	10	D	REAR POSITION	A	TRAY	
43202-8916	8	8	A	FRONT POSITION	A	TRAY	
43202-8917	8	8	B	FRONT POSITION	A	TRAY	
43202-8918	8	8	C	FRONT POSITION	A	TRAY	
43202-8919	8	8	D	FRONT POSITION	A	TRAY	
43202-8924	8	8	A	REAR POSITION	A	TRAY	
43202-8925	8	8	B	REAR POSITION	A	TRAY	
43202-8926	8	8	C	REAR POSITION	A	TRAY	
43202-8927	8	8	D	REAR POSITION	A	TRAY	

EC NO: UCP2012-2472 DRWMANGUYEN 2012/02/03 CHKD:JBELL 2012/02/03 APPR:FSMITH 2012/02/09 L5 SEE SHEET 1		DESCRIPTION REV
QUALITY SYMBOLS  = 0  = 0  = 0	GENERAL TOLERANCES (UNLESS SPECIFIED) mm ± --- INCH ± --- 4 PLACES ± --- 3 PLACES ± --- ± 0.10 2 PLACES ± 0.25 ± 0.14 1 PLACE ± 0.36 ± --- ANGULAR ± 1/2°	DIMENSION STYLE IN/MM DRAWN BY DATE JTR 1993/03/31 CHECKED BY DATE JTR 1993/03/31 APPROVED BY DATE FSMITH 2012/02/09 MATERIAL NO.
DRAFT WHERE APPLICABLE MUST REMAIN WITHIN DIMENSIONS SEE CHART THIS DRAWING CONTAINS INCORPORATED AND S		

tb_frames_C.P.AM.T
 Rev. F 2009/06/16

13 12 11 10 9 8 7 6 5 4

SHIELDED MODULAR JACKS W/O BOTTOM GROUND TABS (SHEET 3)

UNSHIELDED MODULAR

ASSEMBLY MATERIAL NUMBER	CONNECTOR SIZE	NUMBER OF CIRCUITS	SIDE/TOP PANEL GROUND TAB OPTION	PCB GROUND TAB OPTION	TERMINAL PLATING OPTION	PACKAGING	HOUSING COLOR
43202-8800	8	10	E	FRONT POSITION	A	TRAY	BLACK
43202-8801	8	10	F	FRONT POSITION	A	TRAY	
43202-8802	8	10	G	FRONT POSITION	A	TRAY	
43202-8803	8	10	H	FRONT POSITION	A	TRAY	
43202-8808	8	10	E	REAR POSITION	A	TRAY	
43202-8809	8	10	F	REAR POSITION	A	TRAY	
43202-8810	8	10	G	REAR POSITION	A	TRAY	
43202-8811	8	10	H	REAR POSITION	A	TRAY	
43202-8816	8	8	E	FRONT POSITION	A	TRAY	
43202-8817	8	8	F	FRONT POSITION	A	TRAY	
43202-8818	8	8	G	FRONT POSITION	A	TRAY	
43202-8819	8	8	H	FRONT POSITION	A	TRAY	
43202-8824	8	8	E	REAR POSITION	A	TRAY	
43202-8825	8	8	F	REAR POSITION	A	TRAY	
43202-8826	8	8	G	REAR POSITION	A	TRAY	
43202-8827	8	8	H	REAR POSITION	A	TRAY	

ASSEMBLY MATERIAL NUMBER	CONNECTOR SIZE	NUMBER OF CIRCUITS
43202-4101	4	4
43202-4104	4	2
43202-6101	6	6
43202-6102	6	6
43202-6104	6	4
43202-6105	6	4
43202-6107	6	2
43202-6110	6	6
43202-6113	6	2
43202-6116	6	2
43202-8101	8	10
43202-8104	8	8
43202-8105	8	8
43202-8113	8	8
43202-8116	8	6
43202-8119	8	4
43202-8122	8	2
43202-8125	8	8
43202-8504	8	8
43202-8513	8	8

F

E

D

C

B

A

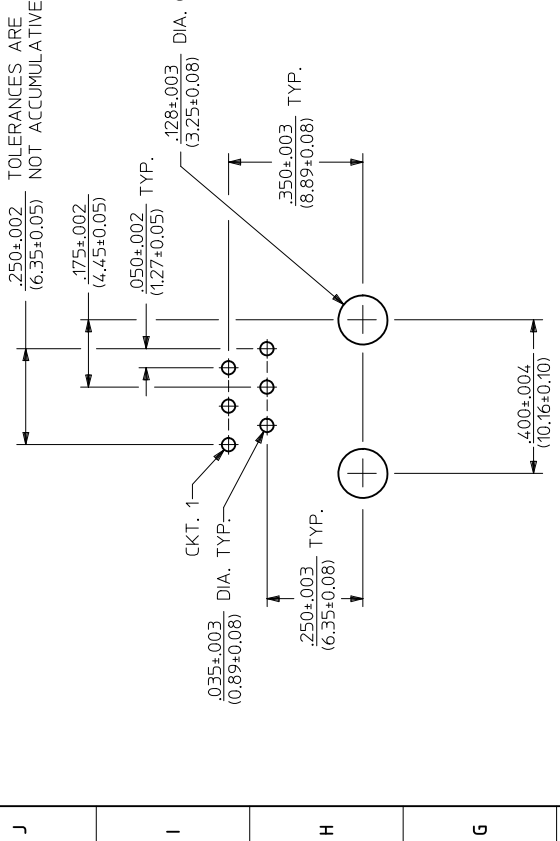
EC NO: UCP2012-2472
 DRWMANGUYEN 2012/02/03
 CHKD:JBELL 2012/02/03
 APPR:FSMITH 2012/02/09

QUALITY SYMBOLS

GENERAL TOLERANCES (UNLESS SPECIFIED)
 DIMENSION STYLE IN/MM
 DRAWN BY DATE 1993/03/31
 JTR
 CHECKED BY DATE 1993/03/31
 JTR
 APPROVED BY DATE 2012/02/09
 FSMITH
 MATERIAL NO. 10
 SEE CHART
 THIS DRAWING CONTAINS INCORPORATED AND S

DRAFT WHERE APPLICABLE MUST REMAIN WITHIN DIMENSIONS
 4 PLACES ± .005
 3 PLACES ± .010
 2 PLACES ± 0.25
 1 PLACE ± 0.36
 ANGULAR ±1/2°

13 12 11 10 9 8 7 6 5 4

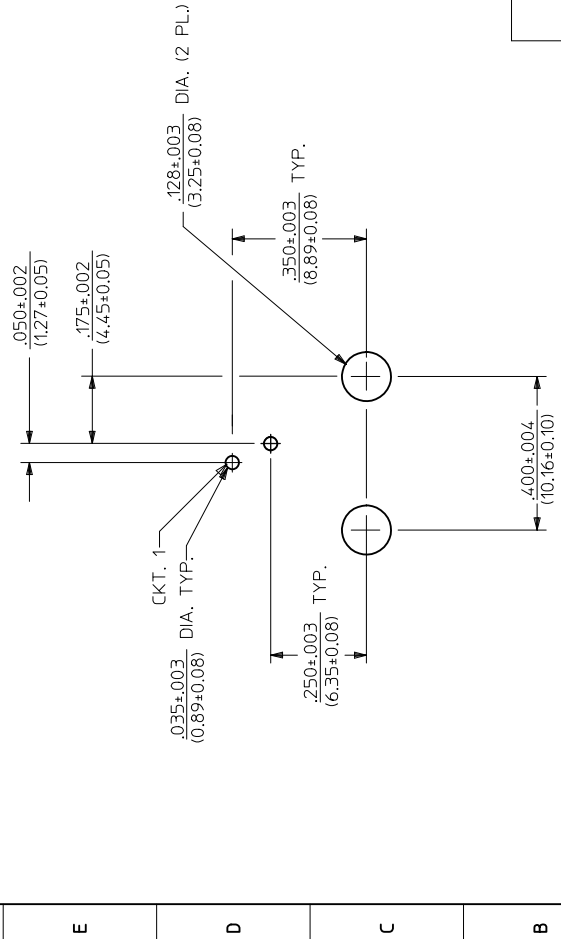


PC BOARD LAYOUT FOR 6 POSITION HOUSING

(6 CIRCUIT FOOT PRINT SHOWN)
(COMPONENT SIDE OF BOARD)

PC BOARD LAYOUT FOR 6 POSITION HOUSING

(4 CIRCUIT FOOT PRINT SHOWN)
(COMPONENT SIDE OF BOARD)



PC BOARD LAYOUT FOR 6 POSITION HOUSING

(2 CIRCUIT FOOT PRINT SHOWN)
(COMPONENT SIDE OF BOARD)

NOTES:
1. RECOMMEN

QUALITY SYMBOLS	GENERAL TOLERANCES (UNLESS SPECIFIED)	DIMENSION STYLE
▽=0	4 PLACES ± --- INCH	IN/MM
▽=0	3 PLACES ± --- ±.010	DRAWN BY DATE
▽=0	2 PLACES ±.025 ±.014	JTR 1993/03/31
▽=0	1 PLACE ±0.36 ± ---	CHECKED BY DATE
	ANGULAR ±1/2°	JTR 1993/03/31
	DRAFT WHERE APPLICABLE MUST REMAIN WITHIN DIMENSIONS	APPROVED BY DATE
		FSM LTH 2012/02/09
		MATERIAL NO
		SEE SHEET 6
		SIZE THIS DRAWING CONTAINED INCORPORATED AND SI

tb_frames_C.P.AM.T Rev. F 2009/06/18

Looking for pricing, stock, or lifecycle information?

Click below to explore more details on WIN SOURCE:

 [View 43202-8818 on WIN SOURCE](#)

 [Molex, LLC Information](#)

Optimize Your Supply Chain with WIN SOURCE Solutions

-  Global Sourcing Solution
-  Obsolete Management
-  Cost Control Management
-  Shortage Management
-  Alternative Solution
-  Excess Inventory Management