



NOTES:

- 1) MATERIAL:  
HOUSING: NYLON(PA), GLASS FILLED, UL94V-0, COLOR: SEE SHEETS 5 AND 6  
INSULATOR: NYLON(PA), GLASS FILLED, UL94V-0, COLOR: SEE SHEETS 5 AND 6  
TERMINALS: PHOSPHOR BRONZE, .012/ 0.30 THICK  
SHIELD: BRASS, .007/ 0.18 THICK

2) FINISH:

TERMINALS:

- A = SELECT GOLD IN CONTACT AREA: 50 MICROINCHES / 1.27 MICROMETERS MIN.,  
\*SELECT TIN IN PC TAIL AREA: 100 MICROINCHES / 2.54 MICROMETERS MIN.,  
WITH OVERALL NICKEL UNDERPLATE: 50 MICROINCHES / 1.27 MICROMETERS MIN.
- B = SELECT GOLD IN CONTACT AREA: 30 MICROINCHES / 0.76 MICROMETERS MIN.,  
\*SELECT TIN IN PC TAIL AREA: 100 MICROINCHES / 2.54 MICROMETERS MIN.,  
WITH OVERALL NICKEL UNDERPLATE: 50 MICROINCHES / 1.27 MICROMETERS MIN.  
\*THE PRIMARY SHIPPING CARTON WILL BE LABELED "COMPLIANT TO ROHS  
DIRECTIVE 2002/95/EC AND ELV ANNEX II OF DIRECTIVE 2000/53/EC".  
CARTONS WITHOUT THIS LABEL MAY CONTAIN PRODUCT WITH TIN-LEAD  
IN THE PC TAILS AND/OR SHIELD.

SHIELD:

- 100 MICROINCHES / 2.54 MICROMETERS NICKEL OVER 50 MICROINCHES / 1.27  
MICROMETERS COPPER UNDERPLATE PCB GROUND TABS DIPPED IN TIN

3) PRODUCT SPECIFICATION AND PROCESSING PARAMETERS: PS-43202.

4) PACKAGING SPECIFICATION:

- UNSHIELDED CONNECTOR ASSEMBLIES PACKAGED IN THERMOFORMED TRAYS  
PER MOLEX PACKAGING SPECIFICATION PK-43202-003.
- UNSHIELDED CONNECTOR ASSEMBLIES PACKAGED IN TUBES  
PER MOLEX PACKAGING SPECIFICATION PK-43202-005.
- SHIELDED CONNECTOR ASSEMBLIES PACKAGED IN THERMOFORMED TRAYS  
PER MOLEX PACKAGING SPECIFICATION PK-43202-004.

5) SEE SHEETS 7 - 9 FOR P.C. BOARD LAYOUTS.

6) CONFORMS TO FCC REGULATION PART 68.5 FOR MODULAR JACKS.

7) THIS PART CONFORMS TO CLASS B REQUIREMENTS OF COSMETIC  
SPECIFICATION PS-45499-002.

DRAWING LEGEND

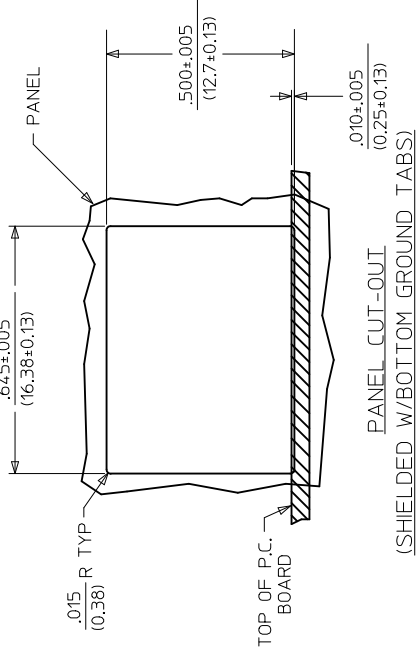
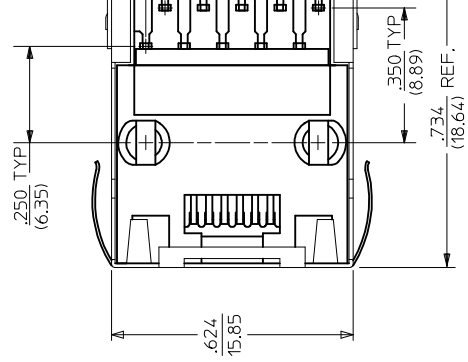
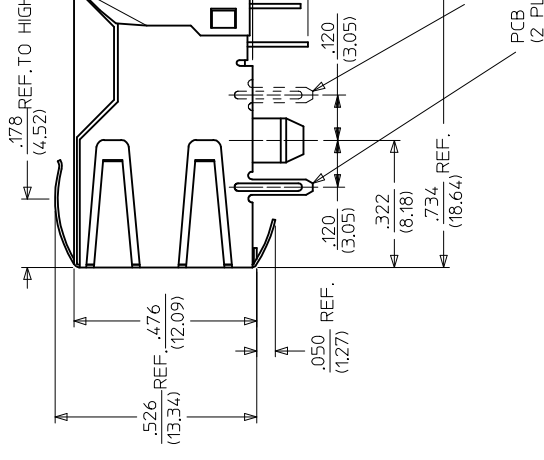
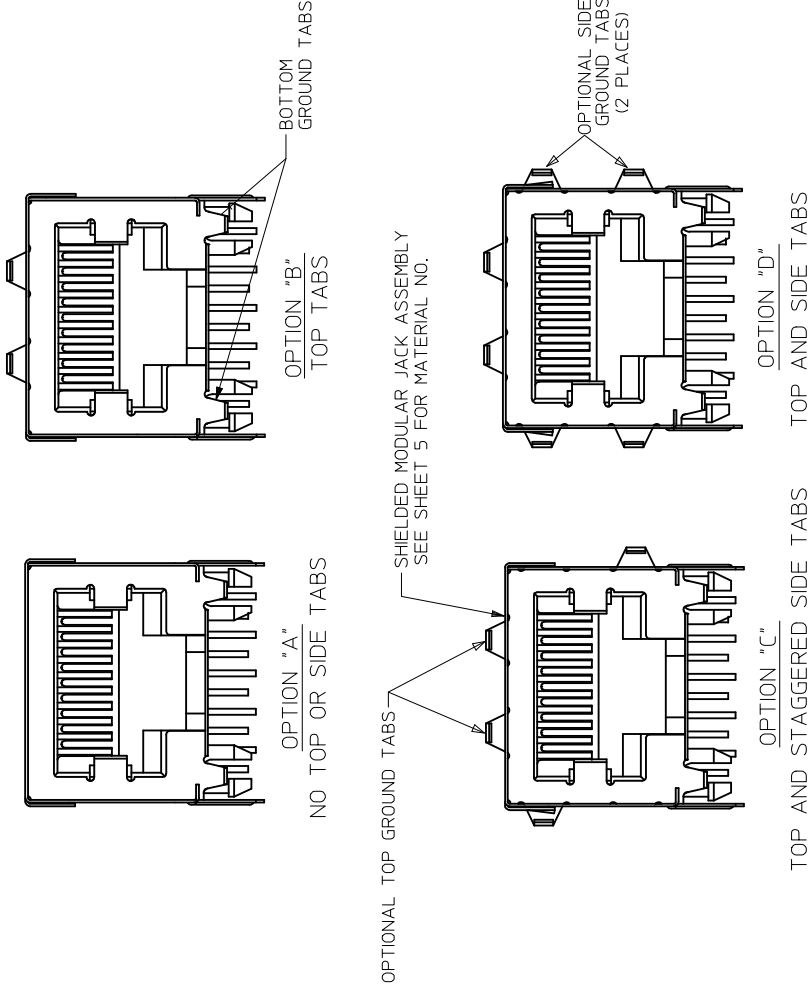
- SHEET 1- NOTES, DRAWING LEGEND
- SHEET 2- SHIELDED MODULAR JACK W/ BOTTOM GROUND TABS
- SHEET 3- SHIELDED MODULAR JACK W/O BOTTOM GROUND TABS
- SHEET 4- UNSHIELDED MODULAR JACK
- SHEET 5- PART NUMBER CHARTS
- SHEET 6- PART NUMBER CHARTS
- SHEET 7- FOOTPRINT LAYOUT FOR 4 POSITION HOUSING
- SHEET 8- FOOTPRINT LAYOUT FOR 6 POSITION HOUSING
- SHEET 9- FOOTPRINT LAYOUT FOR 8 POSITION HOUSING

2016/11/08	APR:KLANG	DESCRIPTION	QUALITY SYMBOLS	GENERAL TOLERANCES (UNLESS SPECIFIED)	DIMENSION STYLE
2016/11/07	DRM:AFENG02	FC NO: UCP2017-1045	▽=0	mm INCH	IN/MM
UPDATE		L8	▽=0	4 PLACES ± --- ± ---	DRAWN BY JTR
DATE		REV	▽=0	3 PLACES ± --- ± .010	CHECKED BY JTR
L8		7	▽=0	2 PLACES ± 0.25 ± .014	APPROVED BY
L8		8	▽=0	1 PLACE ± 0.36 ± ---	DATE 2012/02/09
L8		9	▽=0	ANGULAR ±1/2°	MATERIAL NO.
L8		10	▽=0	DRAFT WHERE APPLICABLE MUST REMAIN WITHIN DIMENSIONS	SEE SHTS 5&6
L8		11	▽=0		SIZE THIS DRAWING CONTAINED AND SI
L8		12	▽=0		INCORPORATED AND SI

# SHIELDED MODULAR JACK W/BOTTOM GROUND TABS

SIZE 8 LOADED 10 VERSION SHOWN

## SIDE/TOP GROUND TAB OPTIONS FOR SHIELDS



HOUSING SIZE	CIRCUIT SIZE	B
8	10	$4.50±.005$ $11.43±.13$
8	8	$3.50±.005$ $8.89±.13$

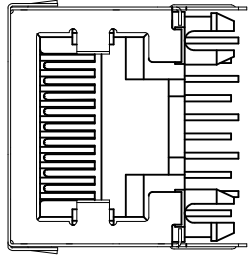
REV	DESCRIPTION
1	DRW:AFENG02 FC NO: UCP2017-1065 L8
2	CHKD: APR:KLANG
3	2016/11/07
4	2016/11/08

QUALITY SYMBOLS	GENERAL TOLERANCES (UNLESS SPECIFIED)	IN/MM	DIMENSION STYLE
$\nabla = 0$	4 PLACES ± ---	INCH	DRAWN BY DATE
$\nabla = 0$	3 PLACES ± ---	± .010	JTR 1993/03/31
$\nabla = 0$	2 PLACES ± 0.25	± .014	CHECKED BY DATE
	1 PLACE ± 0.36	± ---	JTR 1993/03/31
	ANGULAR ± 1/2°		APPROVED BY DATE
			FSM LTH 2012/02/09
			MATERIAL NO.
			SEE SHEET 5
			SIZE THIS DRAWING CONTAINS
			INCORPORATED AND ST

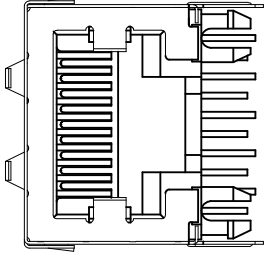
# SHIELDED MODULAR JACK W/O BOTTOM GROUND TABS

SIZE 8, LOADED 10 VERSION SHOWN

## SIDE/TOP GROUND TAB OPTIONS FOR SHIELDS



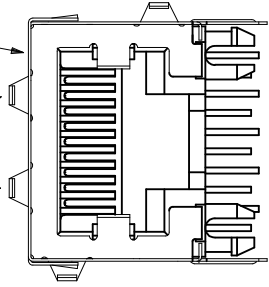
**OPTION "E"**  
NO TOP OR SIDE TABS



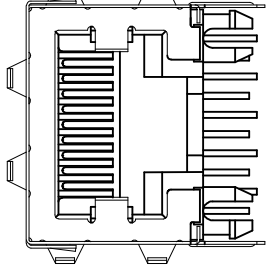
**OPTION "F"**  
TOP TABS

OPTIONAL TOP GROUND TABS

SHIELDED MODULAR JACK ASSEMBLY  
SEE SHEET 6 FOR MATERIAL NO.

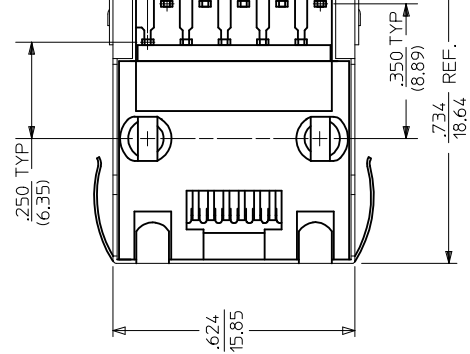
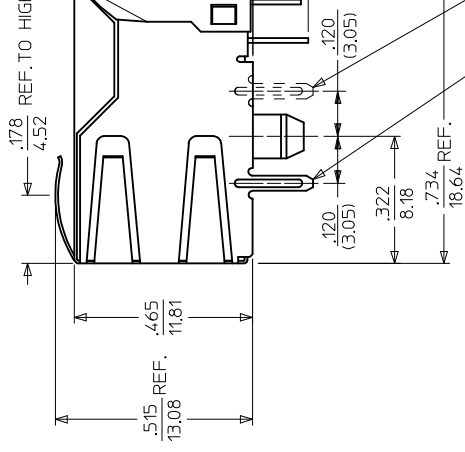


**OPTION "G"**  
TOP AND STAGGERED SIDE TABS

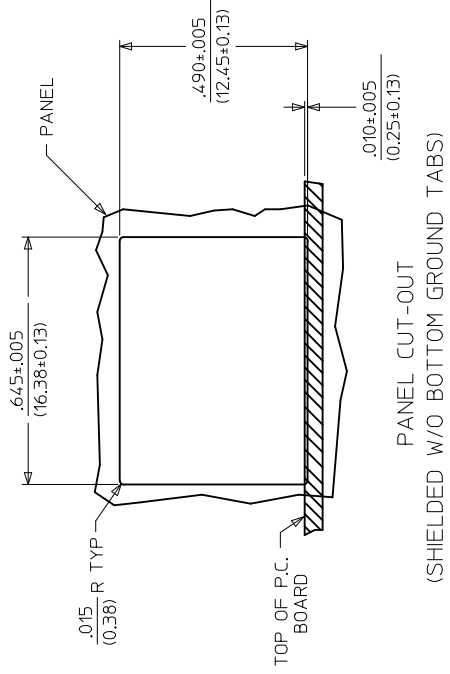


**OPTION "H"**  
TOP AND SIDE TABS

OPTIONAL SIDE  
GROUND TABS  
(2 PLACES)



HOUSING SIZE	CIRCUIT SIZE	DIM. B
8	10	.450±.005 (11.43±0.13)
8	8	.350±.005 (8.89±0.13)



**PANEL CUT-OUT**  
(SHIELDED W/O BOTTOM GROUND TABS)

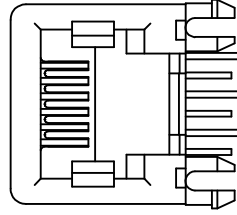
REV		DESCRIPTION	QUALITY SYMBOLS	GENERAL TOLERANCES (UNLESS SPECIFIED)	DIMENSION STYLE
1	DRW:AFENG02	2016/11/07	▽=0	MM ±---	IN/MM
2	FC NO: UCP2017-1045	2016/11/08	▽=0	INCH ±---	
3	CHD:		▽=0	4 PLACES ±---	
4	APP:KLANG		▽=0	3 PLACES ±---	
5				2 PLACES ±0.25	
6				1 PLACE ±0.36	
7				ANGULAR ±1/2°	
8					
9					
10					
11					
12					
L8					
SEE SHEET 1					
MATERIAL NO					
APPROVED BY					
CHECKED BY					
DRAWN BY					
DATE					
DATE					
DATE					
DATE					

DRAFT WHERE APPLICABLE  
MUST REMAIN WITHIN DIMENSIONS

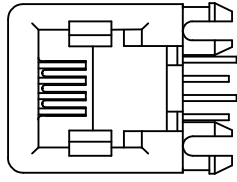
SEE SHEET 6  
THIS DRAWING CONTAINS INCORPORATED AND S

# UNSHIELDED MODULAR JACKS

SIZE 8, LOADED 10 SHOWN

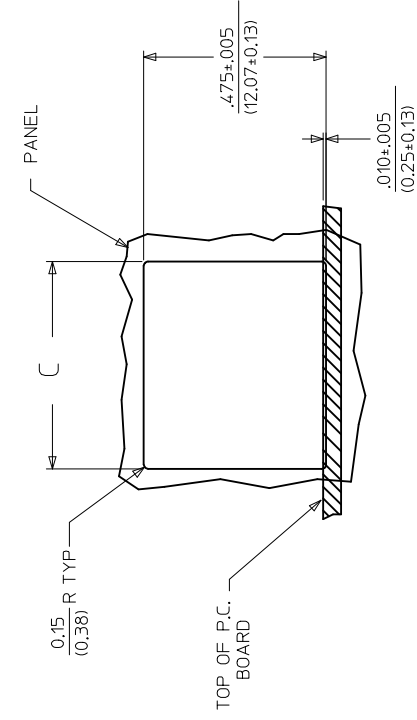
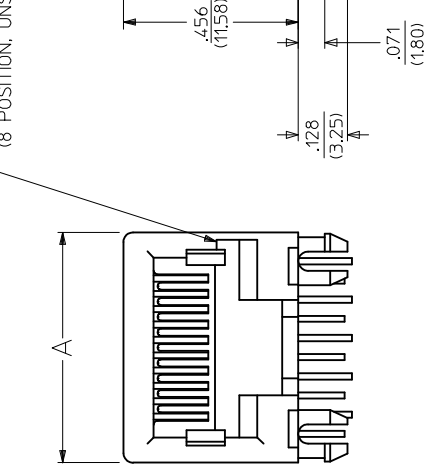


SIZE 6  
LOADED 6 SHOWN



SIZE 4  
LOADED 4 SHOWN

OPTIONAL KEYING SLOT  
(8 POSITION, UNSHIELDED HOUSING ONLY.)






PANEL CUT-OUT (UNSHIELDED)

HOUSING SIZE	LOADED CIRCUITS	A	B	C
4	4	.440 (11.18)	.150±.005 (3.81±0.13)	.460±.005 (11.68±0.13)
4	2	.440 (11.18)	.050±.005 (1.27±0.13)	.460±.005 (11.68±0.13)
6	6	.520 (13.21)	.250±.005 (6.35±0.13)	.540±.005 (13.72±0.13)
6	4	.520 (13.21)	.150±.005 (3.81±0.13)	.540±.005 (13.72±0.13)
6	2	.520 (13.21)	.050±.005 (1.27±0.13)	.540±.005 (13.72±0.13)
8	10	.600 (15.24)	.450±.005 (11.43±0.13)	.620±.005 (15.75±0.13)
8	8	.600 (15.24)	.350±.005 (8.89±0.13)	.620±.005 (15.75±0.13)
8	6	.600 (15.24)	.250±.005 (6.35±0.13)	.620±.005 (15.75±0.13)
8	4	.600 (15.24)	.150±.005 (3.81±0.13)	.620±.005 (15.75±0.13)
8	2	.600 (15.24)	.050±.005 (1.27±0.13)	.620±.005 (15.75±0.13)

QUALITY SYMBOLS	GENERAL TOLERANCES (UNLESS SPECIFIED)	DIMENSION STYLE IN/MM
▽=0	4 PLACES ±.005	DRAWN BY JTR DATE 1993/03/31
▽=0	3 PLACES ±.010	CHECKED BY JTR DATE 1993/03/31
▽=0	2 PLACES ±0.25	APPROVED BY JTR DATE 1993/03/31
	1 PLACE ±0.36	FSM LTH DATE 2012/02/09
	ANGULAR ±1/2°	MATERIAL NO. SEE SHEET 6
	DRAFT WHERE APPLICABLE MUST REMAIN WITHIN DIMENSIONS	SIZE THIS DRAWING CONTAINS INCORPORATED AND SH

SHIELDED MODULAR JACKS W/BOTTOM GROUND TABS (SHEET 2)

NOT TOOLED *X*	ASSEMBLY MATERIAL NUMBER	CONNECTOR SIZE	NUMBER OF CIRCUITS	SIDE/TOP PANEL GROUND TAB OPTION	PCB GROUND TAB OPTION	TERMINAL PLATING OPTION	PACKAGING OPTION	HOUSING CO
X	43202-8900	8	10	A	FRONT POSITION	A	TRAY	B
X	43202-8901	8	10	B	FRONT POSITION	A	TRAY	B
X	43202-8902	8	10	C	FRONT POSITION	A	TRAY	B
X	43202-8903	8	10	D	FRONT POSITION	A	TRAY	B
X	43202-8908	8	10	A	REAR POSITION	A	TRAY	B
X	43202-8909	8	10	B	REAR POSITION	A	TRAY	B
X	43202-8910	8	10	C	REAR POSITION	A	TRAY	B
X	43202-8911	8	10	D	REAR POSITION	A	TRAY	B
	43202-8916	8	8	A	FRONT POSITION	A	TRAY	B
	43202-8917	8	8	B	FRONT POSITION	A	TRAY	B
	43202-8918	8	8	C	FRONT POSITION	A	TRAY	B
X	43202-8919	8	8	D	FRONT POSITION	A	TRAY	B
	43202-8924	8	8	A	REAR POSITION	A	TRAY	B
X	43202-8925	8	8	B	REAR POSITION	A	TRAY	B
X	43202-8926	8	8	C	REAR POSITION	A	TRAY	B
	43202-8927	8	8	D	REAR POSITION	A	TRAY	B

EC NO: UCP2017-1045 DRW:AFENG02 2016/11/07 CHKD: APPR:KLANG 2016/11/08 DESCRIPTION REV	QUALITY SYMBOLS  = 0  = 0  = 0	GENERAL TOLERANCES (UNLESS SPECIFIED) mm ± --- 4 PLACES ± --- 3 PLACES ± --- ± 0.10 2 PLACES ± 0.25 ± 0.14 1 PLACE ± 0.36 ± --- ANGULAR ± 1/2° DRAFT WHERE APPLICABLE MUST REMAIN WITHIN DIMENSIONS	DIMENSION STYLE IN/MM DRAWN BY JTR DATE 1993/03/31 CHECKED BY JTR DATE 1993/03/31 APPROVED BY FSMITH DATE 2012/02/09 MATERIAL NO.
---	---	---	---

**SEE CHART**  
 SIZE THIS DRAWING CONTAINED  
 INCORPORATED AND SH

SHIELDED MODULAR JACKS W/O BOTTOM GROUND TABS (SHEET 3)

NOT TOOLED "X"	ASSEMBLY MATERIAL NUMBER	CONNECTOR SIZE	NUMBER OF CIRCUITS	SIDE/TOP PANEL GROUND TAB OPTION	PCB GROUND TAB OPTION	TERMINAL PLATING OPTION	PACKAGING	HOUSING COLOR
X	43202-8800	8	10	E	FRONT POSITION	A	TRAY	BLACK
X	43202-8801	8	10	F	FRONT POSITION	A	TRAY	BLACK
X	43202-8802	8	10	G	FRONT POSITION	A	TRAY	BLACK
X	43202-8803	8	10	H	FRONT POSITION	A	TRAY	BLACK
X	43202-8808	8	10	E	REAR POSITION	A	TRAY	BLACK
X	43202-8809	8	10	F	REAR POSITION	A	TRAY	BLACK
X	43202-8810	8	10	G	REAR POSITION	A	TRAY	BLACK
X	43202-8811	8	10	H	REAR POSITION	A	TRAY	BLACK
	43202-8816	8	8	E	FRONT POSITION	A	TRAY	BLACK
	43202-8817	8	8	F	FRONT POSITION	A	TRAY	BLACK
	43202-8818	8	8	G	FRONT POSITION	A	TRAY	BLACK
	43202-8819	8	8	H	FRONT POSITION	A	TRAY	BLACK
	43202-8824	8	8	E	REAR POSITION	A	TRAY	BLACK
	43202-8825	8	8	F	REAR POSITION	A	TRAY	BLACK
X	43202-8826	8	8	G	REAR POSITION	A	TRAY	BLACK
	43202-8827	8	8	H	REAR POSITION	A	TRAY	BLACK

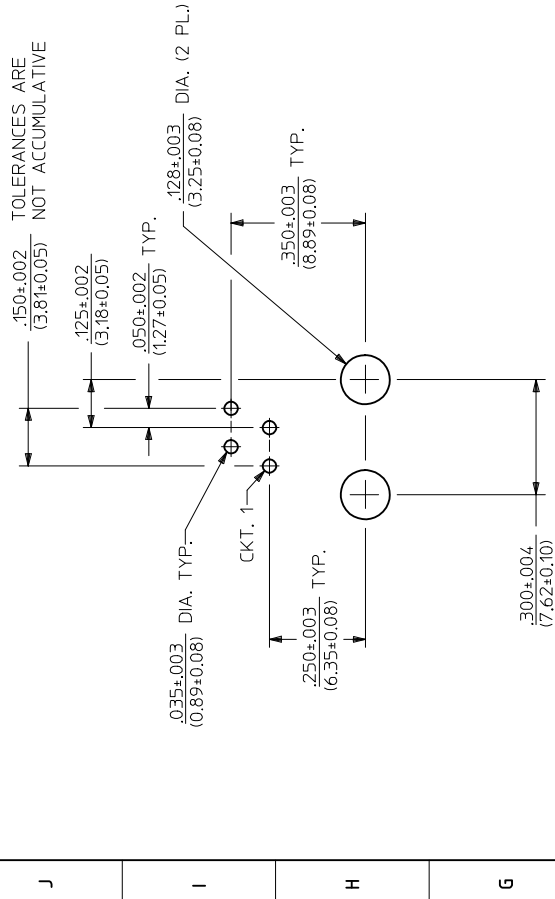
UNSHIELDED MODULAR JACKS- (SHEET 4)

NOT TOOLED "X"	ASSEMBLY MATERIAL NUMBER	CONNECTOR SIZE	NUMBER OF CIRCUITS	TERMINAL PLATING OPTION	KEYING OPTION	PACKAGING OPTION	HOUSING COLOR
	43202-4101	4	4	A	NO	TRAY	
X	43202-4104	4	2	A	NO	TRAY	
	43202-6101	6	6	A	NO	TRAY	
X	43202-6102	6	6	B	NO	TRAY	BLACK
X	43202-6104	6	4	A	NO	TRAY	BLACK
	43202-6105	6	4	B	NO	TRAY	BLACK
	43202-6107	6	2	A	NO	TRAY	BLACK
X	43202-6110	6	6	B	NO	TUBE	ORANGE
X	43202-6113	6	2	A	NO	TRAY	GREEN
X	43202-6116	6	2	A	NO	TRAY	
	43202-8101	8	10	A	NO	TRAY	
	43202-8104	8	8	A	NO	TRAY	
X	43202-8105	8	8	B	NO	TRAY	BLACK
	43202-8113	8	8	A	YES	TRAY	
X	43202-8116	8	6	A	NO	TRAY	
	43202-8119	8	4	A	NO	TRAY	
X	43202-8122	8	2	A	NO	TRAY	BLUE
X	43202-8125	8	8	A	NO	TRAY	BLACK
X	43202-8504	8	8	A	NO	TUBE	
X	43202-8513	8	8	A	YES	TUBE	

QUALITY SYMBOLS 	GENERAL TOLERANCES (UNLESS SPECIFIED)	DIMENSION STYLE IN/MM
	4 PLACES ± 0.10 3 PLACES ± 0.10 2 PLACES ± 0.25 1 PLACE ± 0.36 ANGULAR ± 1/2°	DRAWN BY: JTR DATE: 1993/03/31 CHECKED BY: JTR DATE: 1993/03/31 APPROVED BY: FSM DATE: 2012/02/09 MATERIAL NO. SEE CHART
DRAFT WHERE APPLICABLE MUST REMAIN WITHIN DIMENSIONS		THIS DRAWING CONTAINS INCORPORATED AND S

EC NO: UCP2017-1045 DRW: AFENG02 CHKD: L8 APPR: KLANG 2016/11/08	DESCRIPTION REV
--	--------------------

13 12 11 10 9 8 7 6 5 4



PC BOARD LAYOUT FOR 4 POSITION HOUSING

(4 CIRCUIT FOOT PRINT SHOWN)  
 (COMPONENT SIDE OF BOARD)

PC BOARD LAYOUT FOR 4 P

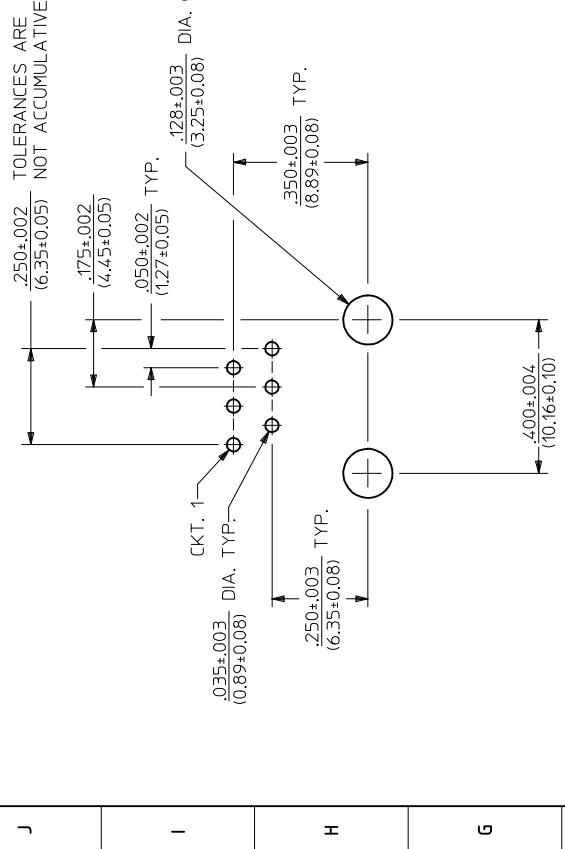
(2 CIRCUIT FOOT PRINT SHO  
 (COMPONENT SIDE OF BOA

NOTES:  
 1. RECOMMENDEL

L8 EC NO: UCP2017-1065 DRW:AFENG02 2016/11/07 CHKD: APP:KLANG 2016/11/08	REV	DESCRIPTION	QUALITY SYMBOLS	GENERAL TOLERANCES (UNLESS SPECIFIED)	DIMENSION STYLE IN/MM
			$\nabla = 0$ $\nabla = 0$ $\nabla = 0$	mm ± --- INCH ± --- 4 PLACES ± --- 3 PLACES ± --- ±.010 2 PLACES ±.025 ±.014 1 PLACE ±0.36 ± --- ANGULAR ±1/2°	DRAWN BY DATE JTR 1993/03/31 CHECKED BY DATE JTR 1993/03/31 APPROVED BY DATE FSMITH 2012/02/09
SEE SHEET 1			SEE SHEET 6		
THIS DRAWING CONTAINS INCORPORATED AND S					

13 12 11 10 9 8 7 6 5 4

13 12 11 10 9 8 7 6 5 4

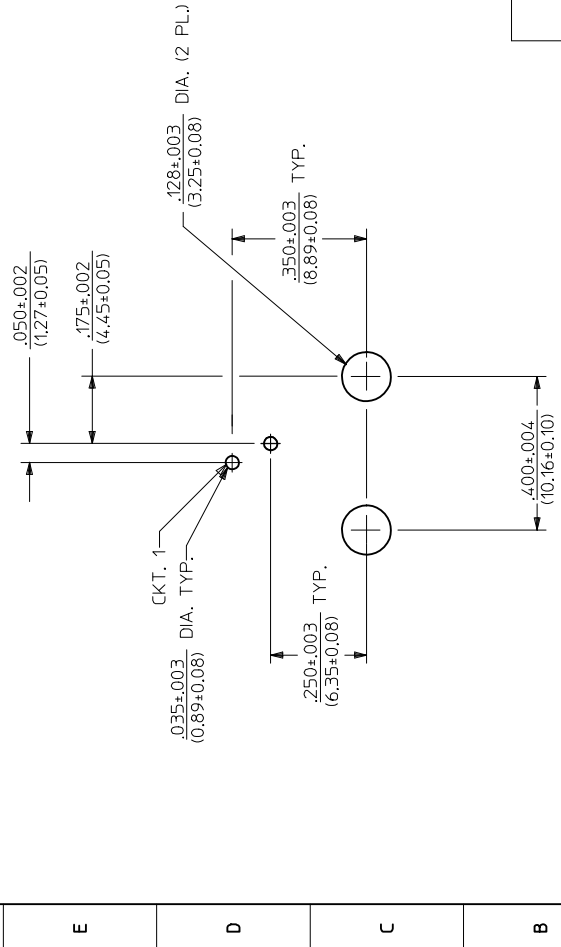


PC BOARD LAYOUT FOR 6 POSITION HOUSING

(6 CIRCUIT FOOT PRINT SHOWN)  
(COMPONENT SIDE OF BOARD)

PC BOARD LAYOUT FOR 6 POSITION HOUSING

(4 CIRCUIT FOOT PRINT SHOWN)  
(COMPONENT SIDE OF BOARD)



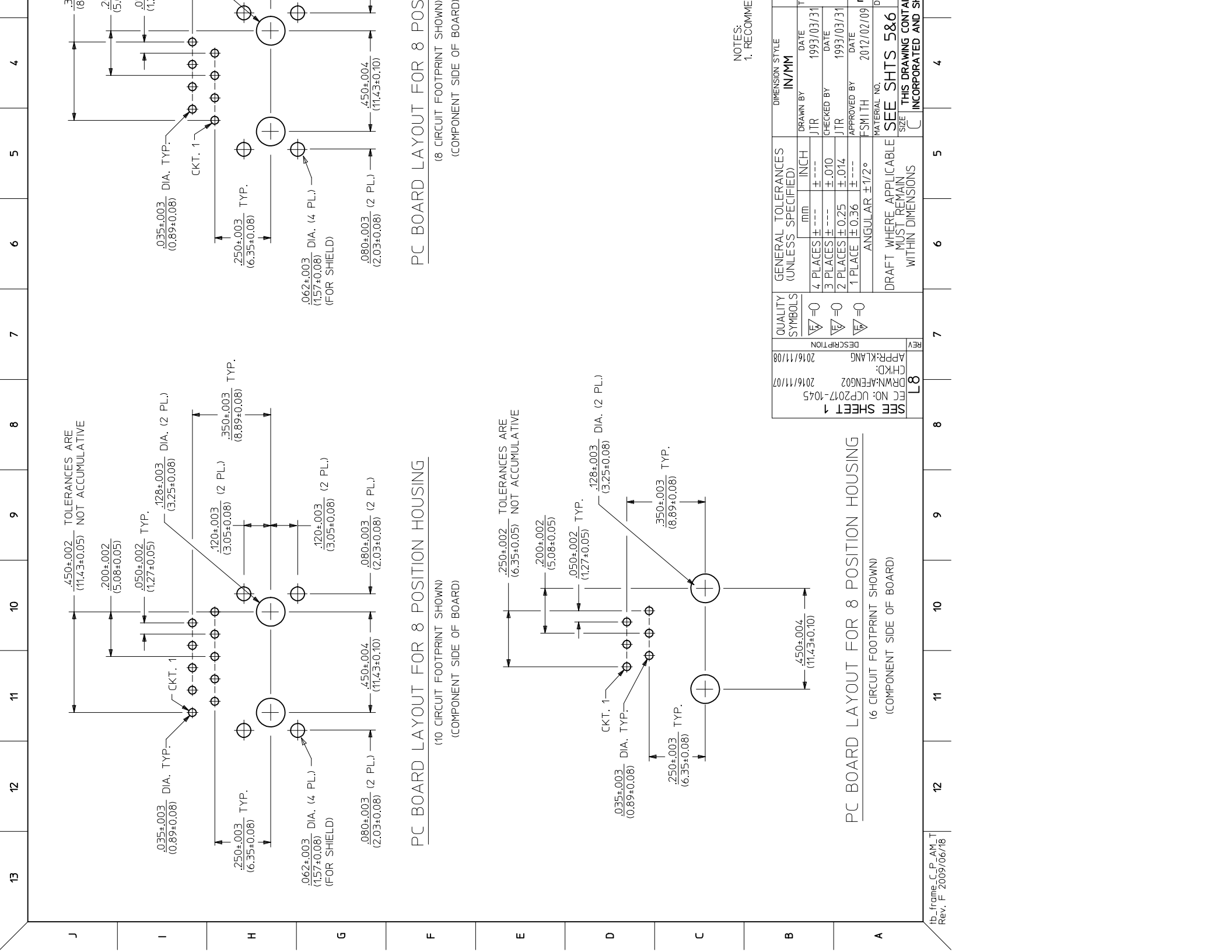
PC BOARD LAYOUT FOR 6 POSITION HOUSING

(2 CIRCUIT FOOT PRINT SHOWN)  
(COMPONENT SIDE OF BOARD)

NOTES:  
1. RECOMMEN

APPR: KLANG CHKD: DRW: AFENG02 2016/11/07	DESCRIPTION	QUALITY SYMBOLS	GENERAL TOLERANCES (UNLESS SPECIFIED)	DIMENSION STYLE
EC NO: UCP2017-1045 L8 SEE SHEET 1	REV	▽=0 ▽=0 ▽=0	MM ±--- INCH ±--- 4 PLACES ±--- 3 PLACES ±--- 2 PLACES ±0.25 1 PLACE ±0.36	IN/MM
			ANGULAR ±1/2°	DRAWN BY JTR DATE 1993/03/31
			DRAFT WHERE APPLICABLE MUST REMAIN WITHIN DIMENSIONS	CHECKED BY JTR DATE 1993/03/31
			SEE SHEET 6	APPROVED BY FSM/TH DATE 2012/02/09
			SIZE THIS DRAWING CONTAINED INCORPORATED AND SH	MATERIAL NO

13 12 11 10 9 8 7 6 5 4

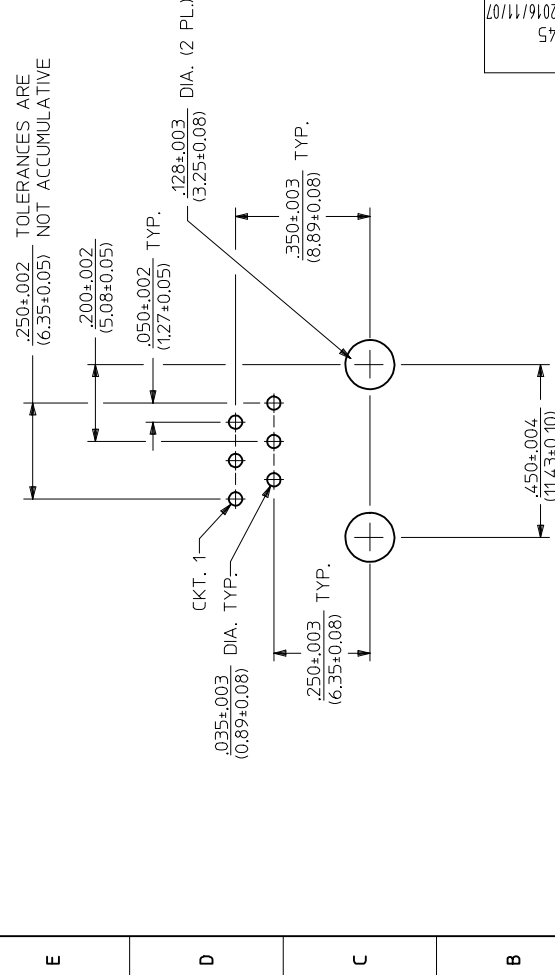


PC BOARD LAYOUT FOR 8 POSITION HOUSING

(10 CIRCUIT FOOTPRINT SHOWN)  
(COMPONENT SIDE OF BOARD)

PC BOARD LAYOUT FOR 8 POS

(8 CIRCUIT FOOTPRINT SHOWN)  
(COMPONENT SIDE OF BOARD)



PC BOARD LAYOUT FOR 8 POSITION HOUSING

(16 CIRCUIT FOOTPRINT SHOWN)  
(COMPONENT SIDE OF BOARD)

NOTES:  
1. RECOMMEND

QUALITY SYMBOLS	GENERAL TOLERANCES (UNLESS SPECIFIED)	DIMENSION STYLE	IN/MM
			DATE
	4 PLACES ± ---	DRAWN BY	JTR
	3 PLACES ± ---	CHECKED BY	JTR
	2 PLACES ± 0.25	DATE	1993/03/31
	1 PLACE ± 0.36	DATE	1993/03/31
	ANGULAR ± 1/2°	APPROVED BY	FSM/TH
	DRAFT WHERE APPLICABLE MUST REMAIN WITHIN DIMENSIONS	MATERIAL NO.	2012/02/09
		SEE SHTS 5&6	
		SIZE THIS DRAWING CONTAINS	
		INCORPORATED AND SH	

REV	DESCRIPTION
L8	EC NO: UCP2017-1045
	DRW:AFENG02
	CHKD: 2016/11/07
	APP:KLANG
	2016/11/08

## Looking for pricing, stock, or lifecycle information?

Click below to explore more details on WIN SOURCE:

 [View 43202-8816 on WIN SOURCE](#)

 [Molex, LLC Information](#)

## Optimize Your Supply Chain with WIN SOURCE Solutions

-  Global Sourcing Solution
-  Obsolete Management
-  Cost Control Management
-  Shortage Management
-  Alternative Solution
-  Excess Inventory Management