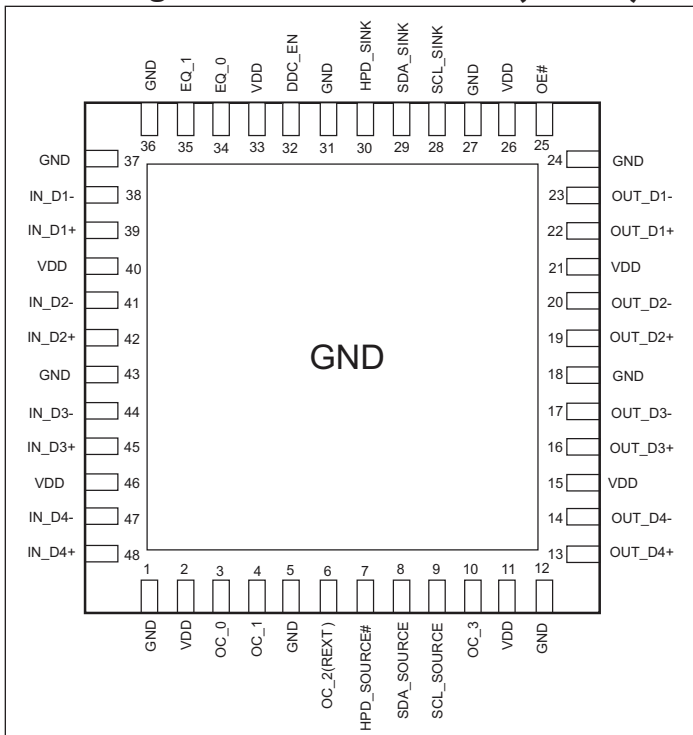


Digital Video Level Shifter for dual mode DP signals w/ inverting buffer for HPD signal

Features

- Converts low-swing AC coupled differential input to HDMI rev 1.3 compliant open-drain current steering Rx terminated differential output
- HDMI level shifting operation up to 2.5Gbps per lane (250MHz pixel clock)
- Integrated 50-ohm termination resistors for AC-coupled differential inputs.
- Enable/Disable feature to turn off TMDS outputs to enter low-power state.
- Output slew rate control on TMDS outputs to minimize EMI.
- Transparent operation: no re-timing or configuration required.
- 3.3 Power supply required.
- Integrated ESD protection up to 8kV contact on all high speed I/O pins (IN_x and OUT_x) per IEC61000-4-2 specification, level 4
- DDC level shifters from 5V down to 3.3V
- Inverting level shifter for HPD signal from HDMI/DVI connector
- Integrated pull-down on HPD_sink input guarantees "input low" when no display is plugged in
- Packaging (Pb-Free & Green)
 - 48 TQFN, 7mm × 7mm (ZD)
 - 48 TQFN, 7mm × 7mm (ZB)

Pin Configuration 48-Pin TQFN (ZD/ZB)

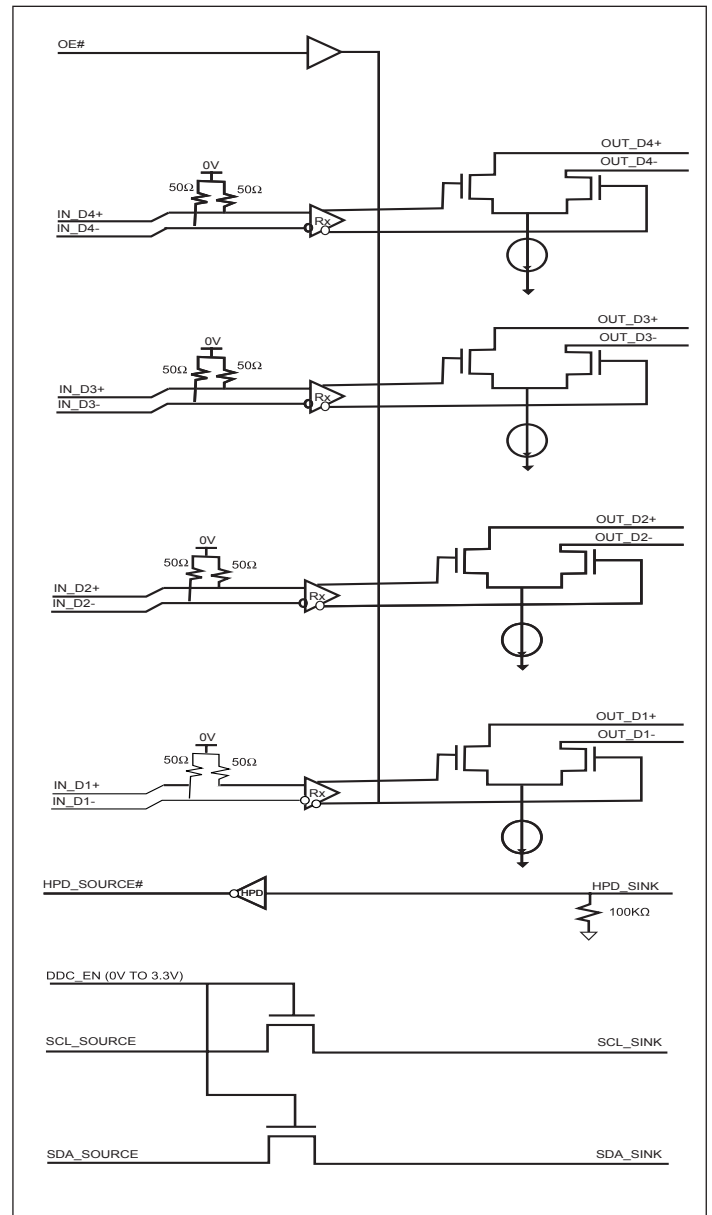


Description

Pericom Semiconductor's PI3VDP411LST provides the ability to use a Dual-mode Display Port transmitter in HDMI mode. This flexibility provides the user a choice of how to connect to their favorite display. All signal paths accept AC coupled video signals. The PI3VDP411LST converts this AC coupled signal into an HDMI rev 1.3 compliant signal with proper signal swing. This conversion is automatic and transparent to the user.

The PI3VDP411LST supports up to 2.5Gbps, which provides 12-bits of color depth per channel, as indicated in HDMI rev 1.3.

Block Diagram



Digital Video Level Shifter for dual mode DP signals w/ inverting buffer for HPD signal

Maximum Ratings (Above which useful life may be impaired. For user guidelines, not tested.)

Storage Temperature	-65°C to +150°C
Supply Voltage to Ground Potential	-0.5V to +5V
DC Input Voltage	-0.5V to V _{DD}
DC Output Current	120mA
Power Dissipation	1.0W

Note: Stresses greater than those listed under MAXIMUM RATINGS may cause permanent damage to the device. This is a stress rating only and functional operation of the device at these or any other conditions above those indicated in the operational sections of this specification is not implied. Exposure to absolute maximum rating conditions for extended periods may affect reliability.

Table 2: Signal Descriptions

Pin Name	Type	Description									
OE#	5.5V tolerant low-voltage single-ended input	Enable for level shifter path									
		<table border="1"> <thead> <tr> <th>OE#</th> <th>IN_D Termination</th> <th>OUT_D Outputs</th> </tr> </thead> <tbody> <tr> <td>1</td> <td>>100KΩ</td> <td>High-Z</td> </tr> <tr> <td>0</td> <td>50Ω</td> <td>Active</td> </tr> </tbody> </table>	OE#	IN_D Termination	OUT_D Outputs	1	>100KΩ	High-Z	0	50Ω	Active
		OE#	IN_D Termination	OUT_D Outputs							
		1	>100KΩ	High-Z							
0	50Ω	Active									
IN_D4+	Differential input	Low-swing diff input from GMCH PCIE outputs. IN_D4+ makes a differential pair with IN_D4-.									
IN_D4-	Differential input	Low-swing diff input from GMCH PCIE outputs. IN_D4- makes a differential pair with IN_D4+.									
IN_D3+	Differential input	Low-swing diff input from GMCH PCIE outputs. IN_D3+ makes a differential pair with IN_D3-.									
IN_D3-	Differential input	Low-swing diff input from GMCH PCIE outputs. IN_D3- makes a differential pair with IN_D3+.									
IN_D2+	Differential input	Low-swing diff input from GMCH PCIE outputs. IN_D2+ makes a differential pair with IN_D2-.									
IN_D2-	Differential input	Low-swing diff input from GMCH PCIE outputs. IN_D2- makes a differential pair with IN_D2+.									
IN_D1+	Differential input	Low-swing diff input from GMCH PCIE outputs. IN_D1+ makes a differential pair with IN_D1-.									
IN_D1-	Differential input	Low-swing diff input from GMCH PCIE outputs. IN_D1- makes a differential pair with IN_D1+.									
OUT_D4+	TMDS Differential output	HDMI 1.3 compliant TMDS output. OUT_D4+ makes a differential output signal with OUT_D4-.									
OUT_D4-	TMDS Differential output	HDMI 1.3 compliant TMDS output. OUT_D4- makes a differential output signal with OUT_D4+.									
OUT_D3+	TMDS Differential output	HDMI 1.3 compliant TMDS output. OUT_D3+ makes a differential output signal with OUT_D3-.									
OUT_D3-	TMDS Differential output	HDMI 1.3 compliant TMDS output. OUT_D3- makes a differential output signal with OUT_D3+.									

Digital Video Level Shifter for dual mode DP signals w/ inverting buffer for HPD signal

Pin Name	Type	Description						
OUT_D2+	TMDS Differential output	HDMI 1.3 compliant TMDS output. OUT_D2+ makes a differential output signal with OUT_D2-.						
OUT_D2-	TMDS Differential output	HDMI 1.3 compliant TMDS output. OUT_D2- makes a differential output signal with OUT_D2+.						
OUT_D1+	TMDS Differential output	HDMI 1.3 compliant TMDS output. OUT_D1+ makes a differential output signal with OUT_D1-.						
OUT_D1-	TMDS Differential output	HDMI 1.3 compliant TMDS output. OUT_D1- makes a differential output signal with OUT_D1+.						
HPD_SINK	5V tolerance single-ended input	Low Frequency, 0V to 5V (nominal) input signal. This signal comes from the HDMI connector. Voltage High indicates "plugged" state; voltage low indicated "unplugged". HPD_SINK is pulled down by an integrated 100K ohm pull-down resistor.						
HPD_SOURCE#	1V buffer	Inverted buffer from 0V to 5V input signal. If input is LOGIC HIGH, then output will be LOGIC LOW, with V_{OL} max of 0.1V max. If input is LOGIC LOW, then output will be LOGIC HIGH, with V_{OH} of 0.8V min.						
SCL_SOURCE	Single-ended 3.3V open-drain DDC I/O	3.3V DDC Data I/O. Pulled up by external termination to 3.3V. Connected to SCL_SINK through voltage-limiting integrated NMOS passgate.						
SDA_SOURCE	Single-ended 3.3V open-drain DDC I/O	3.3V DDC Data I/O. Pulled up by external termination to 3.3V. Connected to SDA_SINK through voltage-limiting integrated NMOS passgate.						
SCL_SINK	Single-ended 5V open-drain DDC I/O	5V DDC Clock I/O. Pulled up by external termination to 5V. Connected to SCL_SOURCE through voltage-limiting integrated NMOS passgate.						
SDA_SINK	Single-ended 5V open-drain DDC I/O	5V DDC Data I/O. Pulled up by external termination to 5V. Connected to SDA_SOURCE through voltage-limiting integrated NMOS passgate.						
DDC_EN	5.0V tolerant Single-ended input	Enables bias voltage to the DDC passgate level shifter gates. (May be implemented as a bias voltage connection to the DDC pass gates themselves.) <table border="1" data-bbox="797 1587 1492 1719"> <tr> <td>DDC_EN</td> <td>Passgate</td> </tr> <tr> <td>0V</td> <td>Disabled</td> </tr> <tr> <td>3.3V</td> <td>Enabled</td> </tr> </table>	DDC_EN	Passgate	0V	Disabled	3.3V	Enabled
DDC_EN	Passgate							
0V	Disabled							
3.3V	Enabled							
V_{DD}	3.3V DC Supply	$3.3V \pm 10\%$						
OC_2 (1) (REXT)	3.3V single-ended control input	Acceptable connections to OC_1 (REXT) pin are: Resistor to GND; Resistor to 3.3V; NC. (Resistor should be 0-ohm).						

Note:

1) internal 100Kohm pull-up

Digital Video Level Shifter for dual mode DP signals w/ inverting buffer for HPD signal

Pin Name	Type	Description
OC_3	Analog connection to external component or supply	Acceptable connections to OC_3 pin are: short to 3.3V or to GND; NC.
OC_0 OC_1 EQ_0 EQ_1	Output and Input jitter elimination control	Control pins are to enable Jitter elimination features. For normal operation these pins are tied GND or to VDD. Please see the truth tables for more information.

Truth Table 1

OC_3 ⁽²⁾	OC_2 ⁽¹⁾	OC_1 ⁽¹⁾	OC_0 ⁽¹⁾	Vswing (mV)	Pre/De-emphasis
0	0	0	0	500	0
0	0	0	1	600	0
0	0	1	0	750	0
0	0	1	1	1000	0
0	1	0	0	500	0
0	1	0	1	500	1.5dB
0	1	1	0	500	3.5dB
0	1	1	1	500	6dB
1	0	0	0	400	0
1	0	0	1	400	3.5dB
1	0	1	0	400	6dB
1	0	1	1	400	9dB
1	1	0	0	1000	0
1	1	0	1	1000	-3.5dB
1	1	1	0	1000	-6dB
1	1	1	1	1000	-9dB

Truth Table 2

EQ_1 ⁽²⁾	EQ_0 ⁽¹⁾	Equalization @ 1.25GHz (dB)
0	0	3
0	1	6
1	0	9
1	1	12

Notes:

1. Internal 100Kohm pull-up
2. For 42-TQFN (ZHE) package, there is an internal connection to GND.
3. For 48-TQFN (ZDE) package, external connection is allowed and there is an internal 100KW pull-up.

Electrical Characteristics
Table 3: Power Supplies and Temperature Range

Symbol	Parameter	Min	Nom	Max	Units	Comments
V_{DD}	3.3V Power Supply	3.0	3.3	3.6	V	
I_{CC}	Max Current			100	mA	Total current from V_{DD} 3.3V supply when de-emphasis/pre-emphasis is set to 0dB.
I_{CCQ}	Standby Current Consumption			2	mA	OE# = HIGH
TCASE	Case temperature range for operation with spec.	-40		85	Celsius	

Table 4: OE# Description

OE#	Device State	Comments
Asserted (low voltage)	Differential input buffers and output buffers enabled. Input impedance = 50Ω	Normal functioning state for IN_D to OUT_D level shifting function.
Unasserted (high voltage)	Low-power state. Differential input buffers and termination are disabled. Differential inputs are in a high-impedance state. OUT_D level-shifting outputs are disabled. OUT_D level-shifting outputs are in high-impedance state. Internal bias currents are turned off.	Intended for lowest power condition when: <ul style="list-style-type: none"> No display is plugged in or The level shifted data path is disabled HPD_SINK input and HPD_SOURCE# output are not affected by OE# SCL_SOURCE, SCL_SINK, SDA_SOURCE and SDA_SINK signals and functions are not affected by OE#

Digital Video Level Shifter for dual mode DP signals w/ inverting buffer for HPD signal
Table 5: Differential Input Characteristics for IN_D and RX_IN signals

Symbol	Parameter	Min	Nom	Max	Units	Comments
Tbit	Unit Interval	360			ps	Tbit is determined by the display mode. Nominal bit rate ranges from 250Mbps to 2.5Gbps per lane. Nominal Tbit at 2.5Gbps=400ps. 360ps=400ps-10%
V _{RX-DIFFp-p}	Differential Input Peak to Peak Voltage	0.175		1.200	V	$VRX-DIFFp-p=2 VRX-D+ \times VRX-D- $ Applies to IN_D and RX_IN signals
T _{RX-EYE}	Minimum Eye Width at IN_D input pair	0.8			Tbit	The level shifter may add a maximum of 0.02UI jitter
V _{CM-AC-pp}	AC Peak Common Mode Input Voltage			100	mV	$VCM-AC-pp = VRX-D+ + VRX-D- /2 - VRX-CM-DC$. $VRX-CM-DC = DC(avg) \text{ of } VRX-D+ + VRX-D- /2$ VCM-AC-pp includes all frequencies above 30 kHz.
Z _{RX-DC}		40	50	60	Ω	Required IN_D+ as well as IN_D- DC impedance ($50\Omega \pm 20\%$ tolerance).
V _{RX-Bias}		0		2.0	V	Intended to limit power-up stress on chipset's PCIE output buffers.
Z _{RX-HIGH-Z}		100			k Ω	Differential inputs must be in a high impedance state when OE# is HIGH.

Digital Video Level Shifter for dual mode DP signals w/ inverting buffer for HPD signal
TMDS Outputs

The level shifter's TMDS outputs are required to meet HDMI 1.3 specifications.

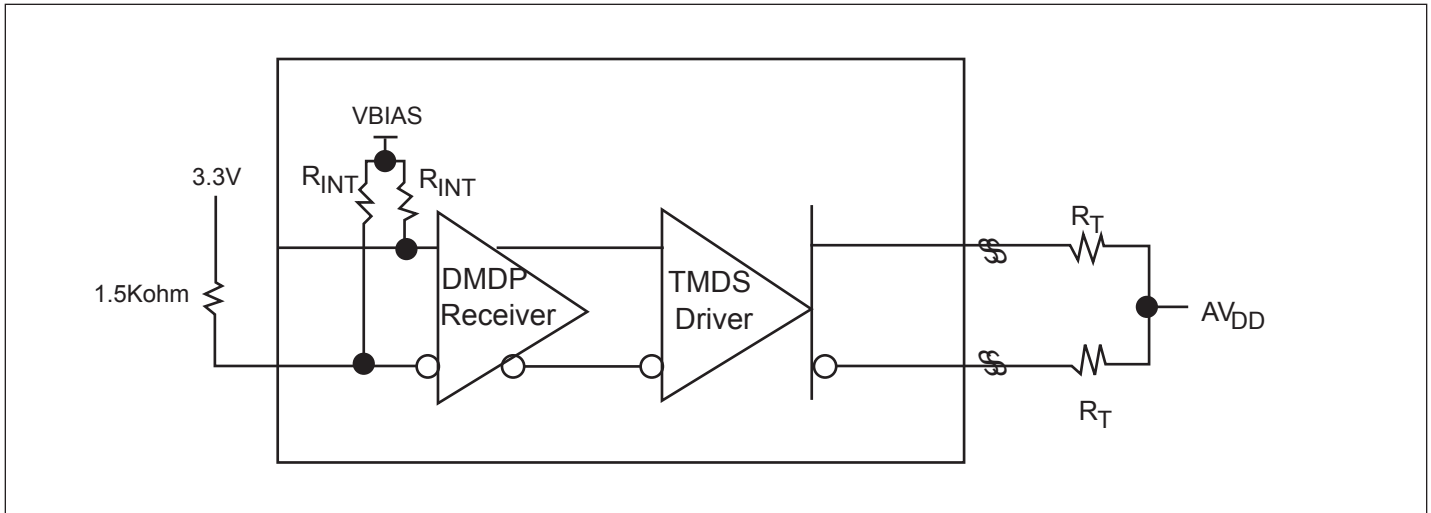
The HDMI 1.3 Specification is assumed to be the correct reference in instances where this document conflicts with the HDMI 1.3 specification.

Table 6: Differential Output Characteristics for TMDS_OUT signals

Symbol	Parameter	Min	Nom	Max	Units	Comments
V _H	Single-ended high level output voltage	AVDD-10mV	AVDD	AVDD+10mV	V	AVDD is the DC termination voltage in the HDMI or DVI Sink. AVDD is nominally 3.3V
V _L	Single-ended low level output voltage	AVDD-600mV	AVDD-500mV	AVDD-400mV	V	The open-drain output pulls down from AVDD.
V _{SWING}	Single-ended output swing voltage	450mV	500mV	600mV	V	Swing down from TMDS termination voltage (3.3V ± 10%)
I _{OFF}	Single-ended current in high-Z state			50	µA	Measured with TMDS outputs pulled up to AVDD Max (3.6V) through 50Ω resistors.
T _R	Rise time	125ps		0.4Tbit	ps	Max Rise/Fall time @2.7Gbps = 148ps. 125ps = 148-15%
T _F	Fall time	125ps		0.4Tbit	ps	Max Rise/Fall time @2.7Gbps = 148ps. 125ps = 148-15%
T _{SKEW-INTRA}	Intra-pair differential skew			30	ps	This differential skew budget is in addition to the skew presented between D+ and D- paired input pins. HDMI revision 1.3 source allowable intra-pair skew is 0.15Tbit.
T _{SKEW-INTER}	Inter-pair lane-to-lane output skew			100	ps	This lane-to-lane skew budget is in addition to skew between differential input pairs
T _{JIT}	Jitter added to TMDS signals			25	ps	Jitter budget for TMDS signals as they pass through the level shifter. 25ps = 0.056 Tbit at 2.25 Gb/s

TMDS output oscillation elimination

The inputs do not incorporate a squelch circuit. Therefore, we recommend the input to be externally biased to prevent output oscillation. Pericom recommends to add a 1.5Kohm pull-up to the CLK- input for each of the video input ports.



TMDS Input Fail-Safe Recommendation

Digital Video Level Shifter for dual mode DP signals w/ inverting buffer for HPD signal
Table 8: HPD Characteristics

Symbol	Parameter	Min	Nom	Max	Units	Comments
V_{IH-HPD}	Input High Level	2.0	5.0	5.3	V	Low-speed input changes state on cable plug/unplug
V_{IL-HPD}	HPD_sink Input Low Level	0		0.8	V	
I_{IN-HPD}	HPD_sink Input Leakage Current			70	μA	Measured with HPD_sink at V_{IH-HPD} max and V_{IL-HPD} min
$V_{OH-HPDB}$	HPD_Source# Output High-Level, $I_{OH} = -200\mu A$	0.8		1.1	V	$V_{DD} = 3.3V \pm 10\%$
$V_{OL-HPDB}$	HPD_Source# Output Low-Level, $I_{OL} = 200\mu A$	0		0.1	V	
T_{HPD}	HPD_Source# to HPD_source propagation delay			200	ns	Time from HPD_sink changing state to HPD_source# changing state. Includes HPD_source rise/fall time
$T_{RF-HPDB}$	HPD_Source# rise/fall time	1		20	ns	Time required to transition from V_{OH-HPD} to V_{OL-HPD} or from V_{OL-HPD} to V_{OH-HPD}

Table 9: OE# Input and DDC_EN

Symbol	Parameter	Min	Nom	Max	Units	Comments
V_{IH}	Input High Level	2.0		V_{DD}	V	TMDS enable input changes state on cable plug/unplug
V_{IL}	Input Low Level	0		0.8	V	
I_{IN}	Input Leakage Current			10	μA	Measured with input at V_{IH-EN} max and V_{IL-EN} min

DDC I/O Pins (SCL, SCL_SINK, SDA, SDA_SINK)

$ I_{lkg} $	Input leakage current			$V_I = 0.1V_{DD}$ to $0.9V_{DD}$ to isolated DDC ports		0.1	2	μA
C_{IO}	Input/output capacitance			$V_I = 0V$		7.5		pF
R_{ON}	Switch resistance			$I_O = 3mA$, $V_O = 0.4V$		25	50	ohm
V_{PASS}	Switch output voltage			$V_I = 3.3V$, $I_I = 100\mu A$	1.5 ⁽²⁾	2.0	2.5 ⁽³⁾	V

Table 10: Termination Resistors

Symbol	Parameter	Min	Nom	Max	Units	Comments
R_{HPD}	HPD_sink input pull-down resistor.	80K	100k	120K	Ω	Guarantees HPD_sink is LOW when no display is plugged in.

Recommended Power Supply Decoupling Circuit

Figure 1 is the recommended power supply decoupling circuit configuration. It is recommended to put 0.1µF decoupling capacitors on each VDD pins of our part, there are four 0.1µF decoupling capacitors are put in Figure 1 with an assumption of only four VDD pins on our part, if there is more or less VDD pins on our Pericom parts, the number of 0.1µF decoupling capacitors should be adjusted according to the actual number of VDD pins. On top of 0.1µF decoupling capacitors on each VDD pins, it is recommended to put a 10µF decoupling capacitor near our part's VDD, it is for stabilizing the power supply for our part. Ferrite bead is also recommended for isolating the power supply for our part and other power supplies in other parts of the circuit. But, it is optional and depends on the power supply conditions of other circuits.

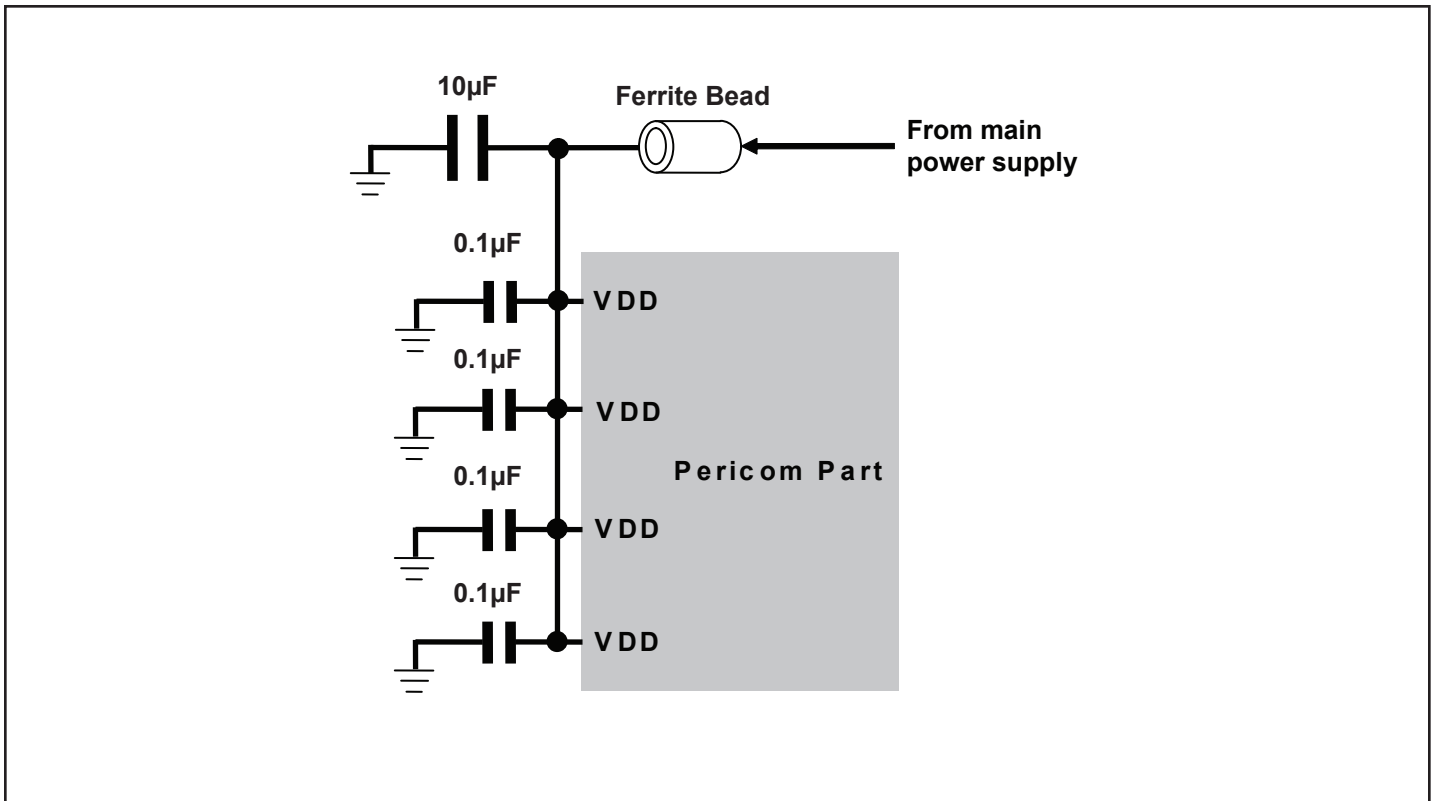


Figure 1 Recommended Power Supply Decoupling Circuit Diagram

Requirements on the Decoupling Capacitors

There is no special requirement on the material of the capacitors. Ceramic capacitors are generally being used with typically materials of X5R or X7R.

Layout and Decoupling Capacitor Placement Consideration

- i. Each 0.1µF decoupling capacitor should be placed as close as possible to each V_{DD} pin.
- ii. V_{DD} and GND planes should be used to provide a low impedance path for power and ground.
- iii. Via holes should be placed to connect to V_{DD} and GND planes directly.
- iv. Trace should be as wide as possible
- v. Trace should be as short as possible.
- vi. The placement of decoupling capacitor and the way of routing trace should consider the power flowing criteria.
- vii. 10µF capacitor should also be placed closed to our part and should be placed in the middle location of 0.1µF capacitors.
- viii. Avoid the large current circuit placed close to our part; especially when it is shared the same V_{DD} and GND planes. Since large current flowing on our V_{DD} or GND planes will generate a potential variation on the V_{DD} or GND of our part.

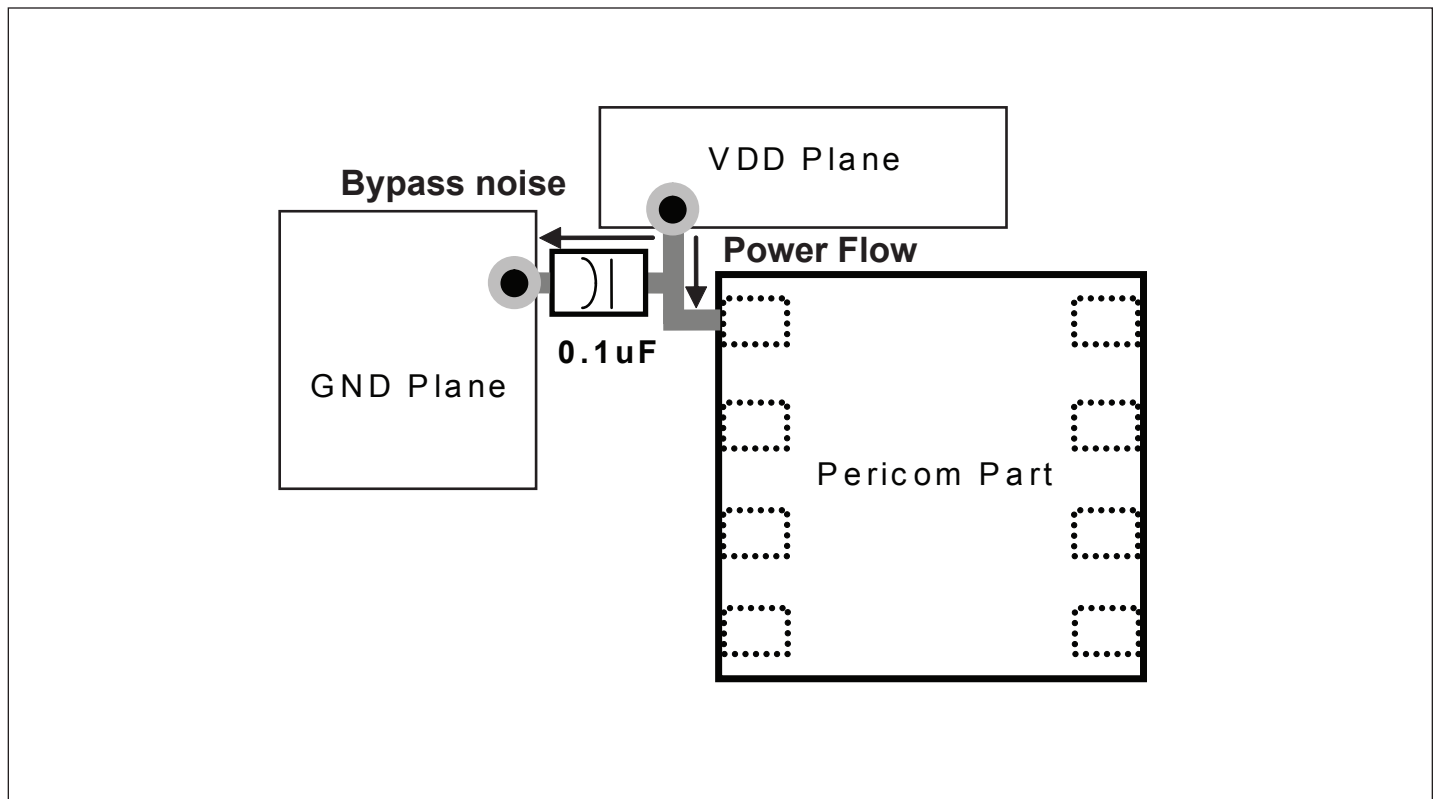
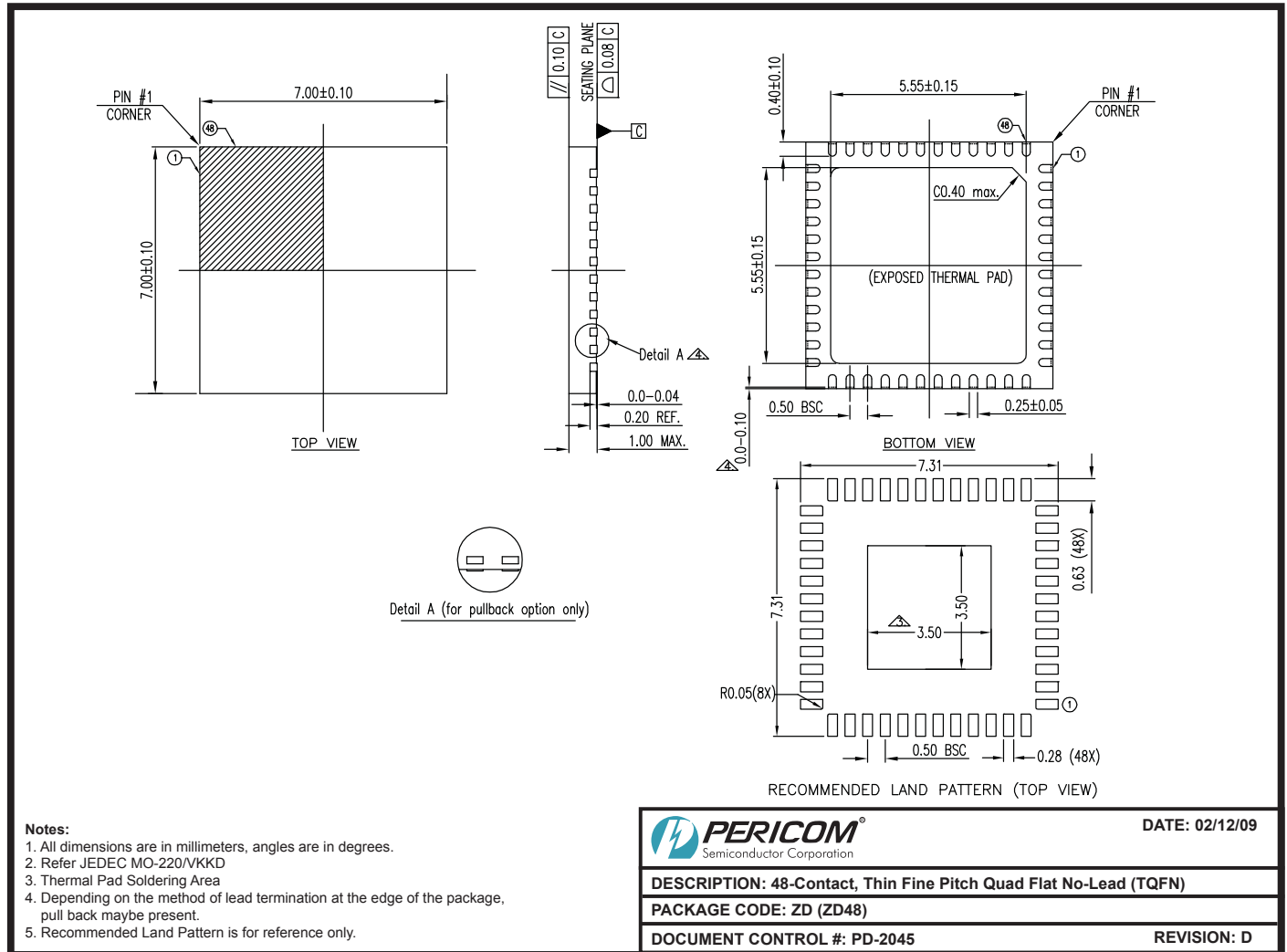


Figure 2 Layout and Decoupling Capacitor Placement Diagram

Digital Video Level Shifter for dual mode DP signals w/ inverting buffer for HPD signal



09-0117

Digital Video Level Shifter for dual mode DP signals w/ inverting buffer for HPD signal

SYMBOLS	MIN.	NOM.	MAX.
A	0.80	0.90	1.00
A1	0.00	0.02	0.05
A2	0.65 REF.		
A3	0.203 REF.		
b	0.18	0.25	0.30
h	0.24	0.42	0.60
D	6.90	7.00	7.10
D1	6.65	6.75	6.85
E	6.90	7.00	7.10
E1	6.65	6.75	6.85
e	0.50 BSC.		
K	0.20	—	—
L	0.30	0.40	0.50
theta	0.00	—	12.00

UNIT : mm

PAD SIZE	D2			E2		
	MIN.	NOM.	MAX.	MIN.	NOM.	MAX.
208X208MIL	4.90	5.10	5.30	4.90	5.10	5.30

UNIT: mm

Notes:

- All dimensions are in millimeters, angles are in degrees.
- Coplanarity applies to the exposed thermal pad as well as the terminals.
- Refer JEDEC MO-220
- Recommended land pattern is for reference only.
- Thermal pad soldering area

	DATE: 02/11/09
	DESCRIPTION: 48-Pin, Thin Fine Pitch Quad Flat No-Lead (TQFN)
	PACKAGE CODE: ZB48
	DOCUMENT CONTROL #: PD-2080 REVISION: A

09-0091

Note:

- For latest package info, please check: <http://www.pericom.com/products/packaging/mechanicals.php>

Ordering Information

Ordering Code	Package Code	Package Description
PI3VDP411LSTZDE	ZD	48-pin Pb-free & Green, TQFN
PI3VDP411LSTZBE	ZB	48-pin Pb-free & Green, TQFN

Notes:

- Thermal characteristics can be found on the company web site at www.pericom.com/packaging/
- E = Pb-free and Green
- Adding an X Suffix = Tape/Reel

Looking for pricing, stock, or lifecycle information?

Click below to explore more details on WIN SOURCE:

 [View PI3VDP411LSTZBEX on WIN SOURCE](#)

 [Diodes Incorporated Information](#)

Optimize Your Supply Chain with WIN SOURCE Solutions

-  Global Sourcing Solution
-  Obsolete Management
-  Cost Control Management
-  Shortage Management
-  Alternative Solution
-  Excess Inventory Management