



**THE DATASHEET OF  
PGA2311UA**



# PGA2311

## Stereo Audio Volume Control

### 1 Features

- Digitally-Controlled Analog Volume Control:
  - Two Independent Audio Channels
  - Serial Control Interface
  - Zero Crossing Detection
  - Mute Function
- Wide Gain and Attenuation Range:
  - +31.5 dB to –95.5 dB with 0.5-dB Steps
- Low Noise and Distortion:
  - 120-dB Dynamic Range
  - 0.0004% THD+N at 1 kHz (U-Grade)
  - 0.0002% THD+N at 1 kHz (A-Grade)
- Noise-Free Level Transitions
- Low Interchannel Crosstalk: –130 dBFS
- Power Supplies:  $\pm 5$ -V Analog, +5-V Digital
- Available in PDIP-16 and SOIC-16 Packages
- Pin- and Software-Compatible With the Crystal CS3310

### 2 Applications

- Audio Amplifiers
- Mixing Consoles
- Multi-Track Recorders
- Broadcast Studio Equipment
- Musical Instruments
- Effects Processors
- A/V Receivers
- Car Audio Systems

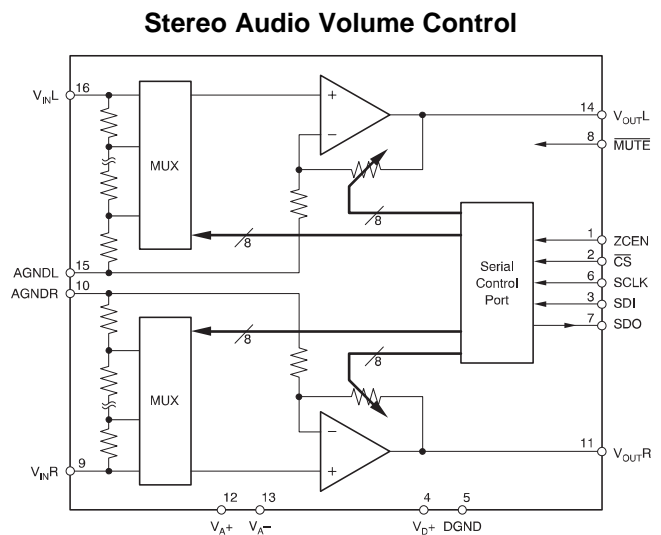
### 3 Description

The PGA2311 device is a high-performance, stereo audio volume control designed for professional and high-end consumer audio systems. The PGA2311 uses an internal high-performance operational amplifier to yield low noise and distortion. The PGA2311 also provides the capability to drive 660- $\Omega$  loads directly without buffering. The 3-wire serial control interface allows for connection to a wide variety of host controllers, in addition to support for daisy-chaining of multiple PGA2311 devices.

#### Device Information<sup>(1)</sup>

PART NUMBER	PACKAGE	BODY SIZE (NOM)
PGA2311	SOIC (16)	7.5 mm x 10.30 mm
	PDIP (16)	6.35 mm x 19.30 mm

(1) For all available packages, see the orderable addendum at the end of the data sheet.



## Table of Contents

<b>1 Features</b> .....	1	7.4 Device Functional Modes .....	12
<b>2 Applications</b> .....	1	7.5 Programming .....	12
<b>3 Description</b> .....	1	<b>8 Application and Implementation</b> .....	13
<b>4 Revision History</b> .....	2	8.1 Application Information .....	13
<b>5 Pin Configuration and Functions</b> .....	3	8.2 Typical Application .....	13
<b>6 Specifications</b> .....	4	<b>9 Power Supply Recommendations</b> .....	14
6.1 Absolute Maximum Ratings .....	4	<b>10 Layout</b> .....	15
6.2 ESD Ratings .....	4	10.1 Layout Guidelines .....	15
6.3 Recommended Operating Conditions .....	4	10.2 Layout Example .....	15
6.4 Thermal Information .....	4	<b>11 Device and Documentation Support</b> .....	16
6.5 Electrical Characteristics .....	5	11.1 Documentation Support .....	16
6.6 Typical Characteristics .....	8	11.2 Community Resources .....	16
<b>7 Detailed Description</b> .....	10	11.3 Trademarks .....	16
7.1 Overview .....	10	11.4 Electrostatic Discharge Caution .....	16
7.2 Functional Block Diagram .....	10	11.5 Glossary .....	16
7.3 Feature Description .....	10	<b>12 Mechanical, Packaging, and Orderable Information</b> .....	16

## 4 Revision History

NOTE: Page numbers for previous revisions may differ from page numbers in the current version.

Changes from Revision C (May 2016) to Revision D	Page
• Changed the values of Voltage range, PGA2311PA, UA (A-grade) To: $(V_{A-}) = +1.25\text{ V}$ , and $(V_{A-}) = -1.25\text{ V}$ in the <i>Electrical Characteristics</i> table .....	5
• Changed the Quiescent current Test Conditions To: $V_A = +5\text{ V}$ , and $V_A = -5\text{ V}$ in the <i>Electrical Characteristics</i> table .....	6

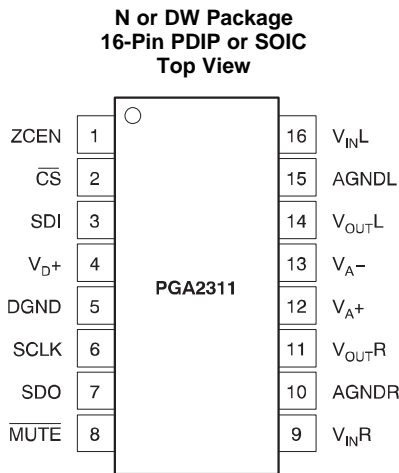
  

Changes from Revision B (January 2016) to Revision C	Page
• Changed package family terms in second to last Features bullet .....	1
• Changed description of pin 7 in <i>Pin Functions</i> table .....	3
• Deleted lead temperature and package temperature rows from <i>Absolute Maximum Ratings</i> table .....	4

Changes from Revision A (June 2002) to Revision B	Page
• Added <i>ESD Ratings</i> table, <i>Feature Description</i> section, <i>Device Functional Modes</i> , <i>Application and Implementation</i> section, <i>Power Supply Recommendations</i> section, <i>Layout</i> section, <i>Device and Documentation Support</i> section, and <i>Mechanical, Packaging, and Orderable Information</i> section. ....	1

## 5 Pin Configuration and Functions



### Pin Functions

PIN		I/O	DESCRIPTION
NO.	NAME		
1	ZCEN	I	Zero-crossing enable input (active high)
2	$\overline{\text{CS}}$	I	Chip-select input (active low)
3	SDI	I	Serial data input
4	$V_{D+}$	I	Digital power supply, +5 V
5	DGND	—	Digital ground
6	SCLK	I	Serial clock input
7	SDO	O	Serial data output
8	$\overline{\text{MUTE}}$	I	Mute control input (active low)
9	$V_{INR}$	I	Analog input, right channel
10	AGNDR	—	Analog ground, right channel
11	$V_{OUTR}$	O	Analog output, right channel
12	$V_{A+}$	I	Analog power supply, +5 V
13	$V_{A-}$	I	Analog power supply, -5 V
14	$V_{OUTL}$	O	Analog output, left channel
15	AGNDL	—	Analog ground, left channel
16	$V_{INL}$	I	Analog input, left channel

## 6 Specifications

### 6.1 Absolute Maximum Ratings

 over operating free-air temperature range (unless otherwise noted)<sup>(1)</sup>

		MIN	MAX	UNIT
Supply voltage	V <sub>A+</sub>		5.5	V
	V <sub>A-</sub>		-5.5	
	V <sub>D+</sub>		5.5	
	V <sub>A+</sub> to V <sub>D+</sub>		< ±0.3	
Analog input voltage		0	V <sub>A+</sub> , V <sub>A-</sub>	V
Digital input voltage		-0.3	V <sub>D+</sub>	V
Operating temperature		-40	85	°C
Junction temperature			150	°C
Storage temperature, T <sub>stg</sub>		-65	150	°C

- (1) Stresses beyond those listed under *Absolute Maximum Ratings* may cause permanent damage to the device. These are stress ratings only, which do not imply functional operation of the device at these or any other conditions beyond those indicated under *Recommended Operating Conditions*. Exposure to absolute-maximum-rated conditions for extended periods may affect device reliability.

### 6.2 ESD Ratings

			VALUE	UNIT
<b>PGA2311 in 16-Pin SOIC Package</b>				
V <sub>(ESD)</sub>	Electrostatic discharge	Human-body model (HBM), per ANSI/ESDA/JEDEC JS-001 <sup>(1)</sup>	±2000	V
		Charged-device model (CDM), per JEDEC specification JESD22-C101 <sup>(2)</sup>	±1500	
<b>PGA2311 in 16-Pin PDIP Package</b>				
V <sub>(ESD)</sub>	Electrostatic discharge	Human-body model (HBM), per ANSI/ESDA/JEDEC JS-001 <sup>(1)</sup>	±2000	V

- (1) JEDEC document JEP155 states that 500-V HBM allows safe manufacturing with a standard ESD control process.

- (2) JEDEC document JEP157 states that 250-V CDM allows safe manufacturing with a standard ESD control process.

### 6.3 Recommended Operating Conditions

over operating free-air temperature range (unless otherwise noted)

		MIN	NOM	MAX	UNIT
V <sub>A+</sub>	Positive analog power supply	4.75	5	5.25	V
V <sub>A-</sub>	Negative analog power supply	-4.75	-5	-5.25	V
V <sub>D+</sub>	Digital power supply	4.75	5	5.25	V
Operating temperature		-40	25	85	°C

### 6.4 Thermal Information

THERMAL METRIC <sup>(1)</sup>		PGA2311		UNIT
		N (PDIP)	DW (SOIC)	
		16 PINS	16 PINS	
R <sub>θJA</sub>	Junction-to-ambient thermal resistance	39.9	83	°C/W
R <sub>θJC(top)</sub>	Junction-to-case (top) thermal resistance	26.2	44	°C/W
R <sub>θJB</sub>	Junction-to-board thermal resistance	20.1	40.5	°C/W
ψ <sub>JT</sub>	Junction-to-top characterization parameter	10.7	11.5	°C/W
ψ <sub>JB</sub>	Junction-to-board characterization parameter	19.9	40.2	°C/W
R <sub>θJC(bot)</sub>	Junction-to-case (bottom) thermal resistance	—	—	°C/W

- (1) For more information about traditional and new thermal metrics, see the *Semiconductor and IC Package Thermal Metrics* application report, [SPRA953](http://www.ti.com/lit/zip/Spra953).

## 6.5 Electrical Characteristics

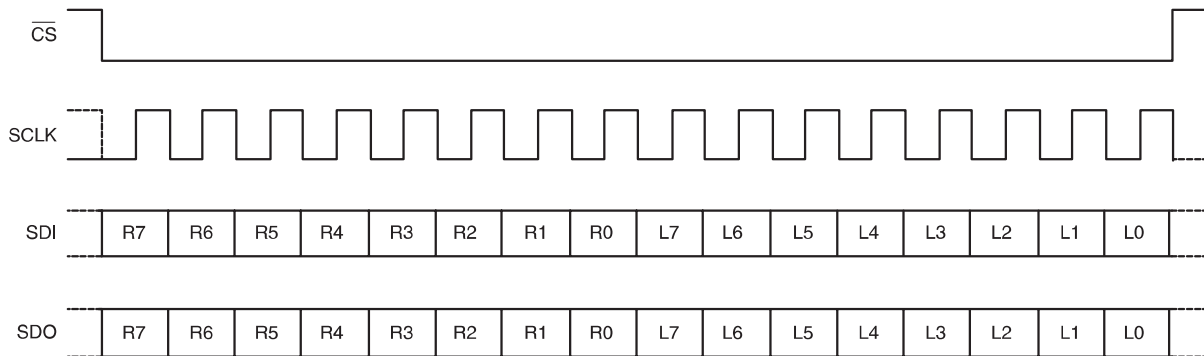
At  $T_A = +25^\circ\text{C}$ ,  $V_{A+} = +5\text{ V}$ ,  $V_{A-} = -5\text{ V}$ ,  $V_{D+} = +5\text{ V}$ ,  $R_L = 100\text{ k}\Omega$ ,  $C_L = 20\text{ pF}$ , BW measure = 10 Hz to 20 kHz, unless otherwise noted.

PARAMETER	TEST CONDITIONS	MIN	TYP	MAX	UNIT
<b>DC CHARACTERISTICS</b>					
Step size			0.5		dB
Gain error	Gain setting = 31.5 dB		$\pm 0.05$		dB
Gain matching			$\pm 0.05$		dB
Input resistance			10		k $\Omega$
Input capacitance	PGA2311P, U (U-grade)		3		pF
	PGA2311PA, UA (A-grade)			7	
<b>AC CHARACTERISTICS</b>					
THD+N	$V_{IN} = 2\text{ V}_{rms}$ , $f = 1\text{ kHz}$	PGA2311P, U (U-grade)	0.0004%	0.001%	
		PGA2311PA, UA (A-grade)	0.0002%	0.0004%	
Dynamic range	$V_{IN} = \text{AGND}$ , gain = 0 dB	116	120		dB
Voltage range, output	PGA2311P, U (U-grade)	$(V_{A-}) + 1.25$		$(V_{A+}) - 1.25$	V
	PGA2311PA, UA (A-grade)	$(V_{A-}) + 1.25$		$(V_{A-}) - 1.25$	
Voltage range, input (without clipping)			2.5		V <sub>rms</sub>
Output noise	$V_{IN} = \text{AGND}$ , gain = 0 dB		2.5	4	$\mu\text{V}_{RMS}$
Interchannel crosstalk	$f = 1\text{ kHz}$		-130		dBFS
<b>OUTPUT BUFFER</b>					
Offset voltage	$V_{IN} = \text{AGND}$ , gain = 0 dB		0.25	0.5	mV
Load capacitance stability			100		pF
Short-circuit current			50		mA
Unity-gain bandwidth, small signal			10		MHz
<b>DIGITAL CHARACTERISTICS</b>					
$V_{IH}$	High-level input voltage		2	$V_{D+}$	V
$V_{IL}$	Low-level input voltage		-0.3	0.8	V
$V_{OH}$	High-level output voltage	$I_O = 200\text{ }\mu\text{A}$	PGA2311P, U (U-grade)	$(V_{A+}) - 1$	V
			PGA2311PA, UA (A-grade)	$(V_{D+}) - 1$	
$V_{OL}$	Low-level output voltage	$I_O = -3.2\text{ mA}$		0.4	V
	Input leakage current		1	10	$\mu\text{A}$
<b>SWITCHING CHARACTERISTICS</b>					
$f_{SCLK}$	Serial clock (SCLK) frequency		0	6.25	MHz
$t_{PL}$	SCLK pulse duration low		80		ns
$t_{PH}$	SCLK pulse duration high		80		ns
$t_{MI}$	$\overline{\text{MUTE}}$ pulse duration low		2		ms
<b>INPUT TIMING</b>					
$t_{SDS}$	SDI setup time		20		ns
$t_{SDH}$	SDI hold time		20		ns
$t_{CSCR}$	$\overline{\text{CS}}$ falling to SCLK rising		90		ns
$t_{CFCS}$	SCLK falling to $\overline{\text{CS}}$ rising		35		ns
<b>OUTPUT TIMING</b>					
$t_{CSO}$	$\overline{\text{CS}}$ low to SDO active			35	ns
$t_{CFDO}$	SCLK falling to SDO data valid			60	ns
$t_{CSZ}$	$\overline{\text{CS}}$ high to SDO high impedance			100	ns

### Electrical Characteristics (continued)

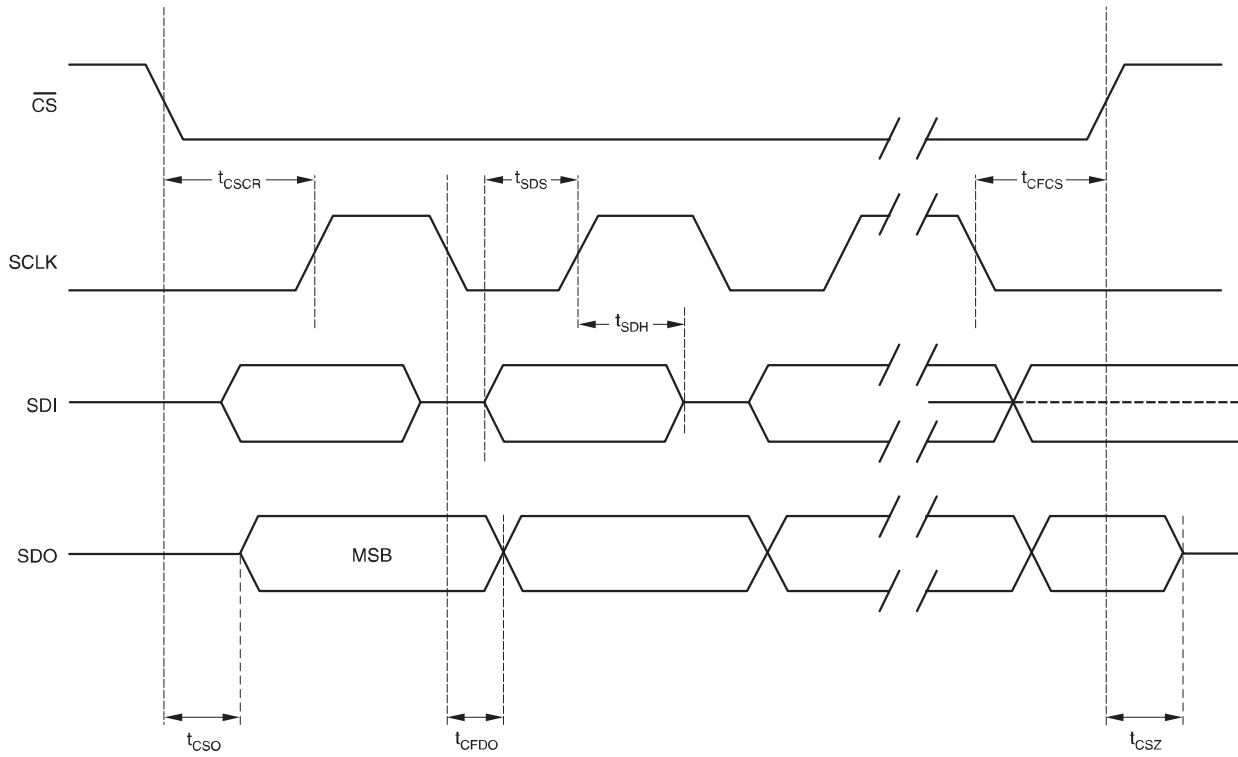
At  $T_A = +25^\circ\text{C}$ ,  $V_{A+} = +5\text{ V}$ ,  $V_{A-} = -5\text{ V}$ ,  $V_{D+} = +5\text{ V}$ ,  $R_L = 100\text{ k}\Omega$ ,  $C_L = 20\text{ pF}$ , BW measure = 10 Hz to 20 kHz, unless otherwise noted.

PARAMETER		TEST CONDITIONS	MIN	TYP	MAX	UNIT
<b>POWER SUPPLY</b>						
Operating voltage	$V_{A+}$		4.75	5	5.25	V
	$V_{A-}$		-4.75	-5	-5.25	
	$V_{D+}$		4.75	5	5.25	
Quiescent current	$I_{A+}$	$V_{A+} = +5\text{ V}$		8	10	mA
	$I_{A-}$	$V_{A-} = -5\text{ V}$		10	12	
	$I_{D+}$	$V_{D+} = +5\text{ V}$		0.5	1	
PSRR	Power-supply rejection ratio (250 Hz)			100		dB
<b>TEMPERATURE RANGE</b>						
Operating range			-40		85	$^\circ\text{C}$



Gain Byte Format is MSB First, Straight Binary  
R0 is the Least Significant Bit of the Right Channel Gain Byte  
R7 is the Most Significant Bit of the Right Channel Gain Byte  
L0 is the Least Significant Bit of the Left Channel Gain Byte  
L7 is the Most Significant Bit of the Left Channel Gain Byte  
SDI is latched on the rising edge of SCLK.  
SDO transitions on the falling edge of SCLK.

**Figure 1. Serial Interface Protocol**



**Figure 2. Serial Interface Timing Requirements**

### 6.6 Typical Characteristics

At  $T_A = +25^\circ\text{C}$ ,  $V_{A+} = +5\text{ V}$ ,  $V_{A-} = -5\text{ V}$ ,  $V_{D+} = +5\text{ V}$ ,  $R_L = 100\text{ k}\Omega$ ,  $C_L = 20\text{ pF}$ , BW measure = 10 Hz to 20 kHz, unless otherwise noted. All plots taken with PGA2311 A-grade.

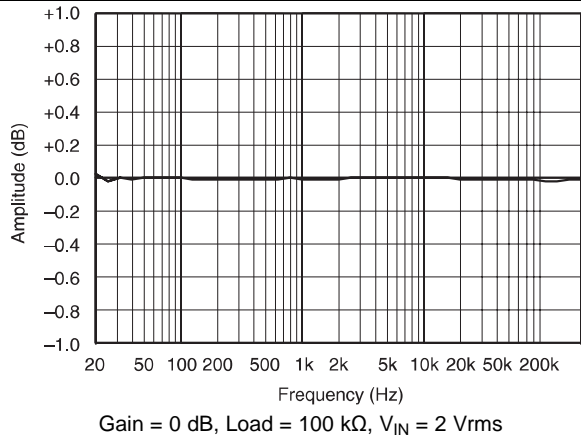


Figure 3. Amplitude vs Frequency

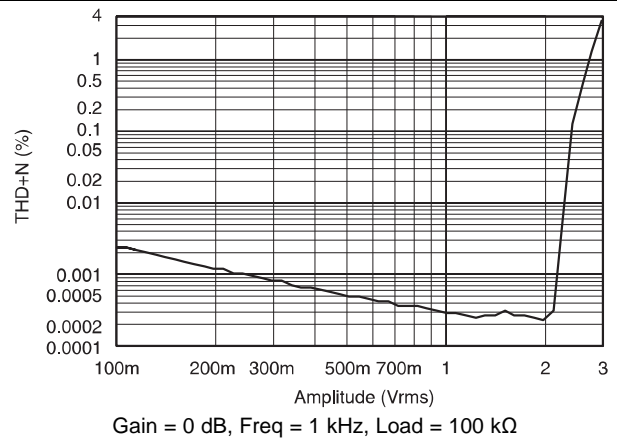


Figure 4. THD + N vs Amplitude

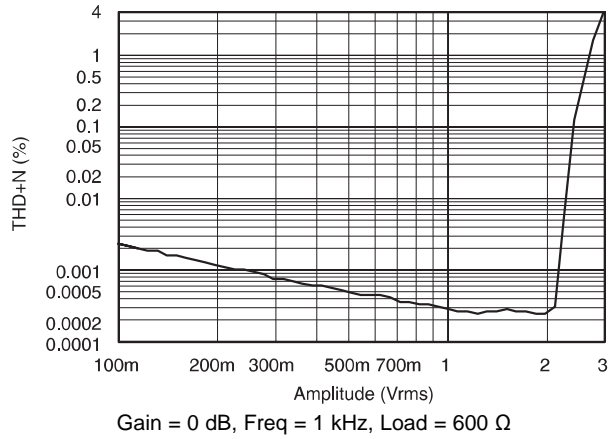


Figure 5. THD + N vs Amplitude

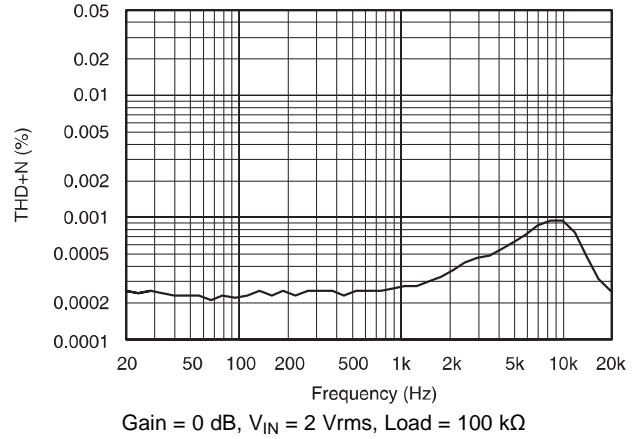


Figure 6. THD + N vs Frequency

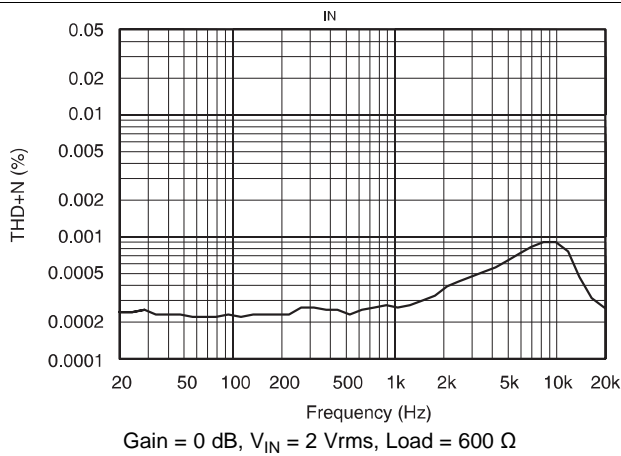


Figure 7. THD + N vs Frequency

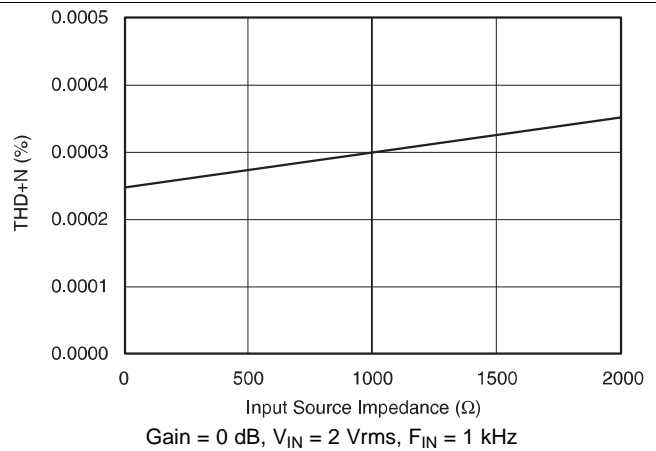
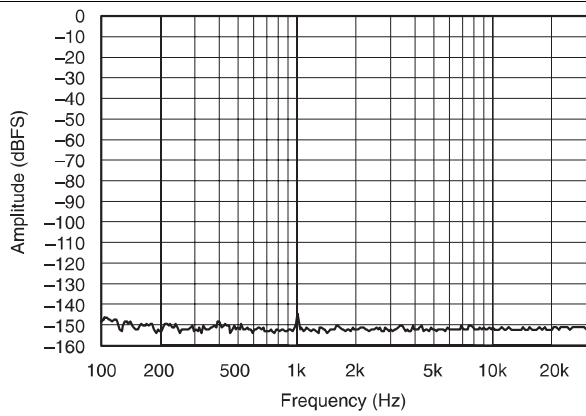


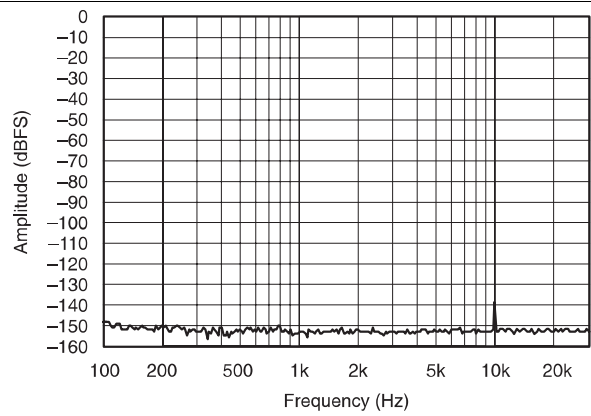
Figure 8. THD + N vs Input Source Impedance

**Typical Characteristics (continued)**

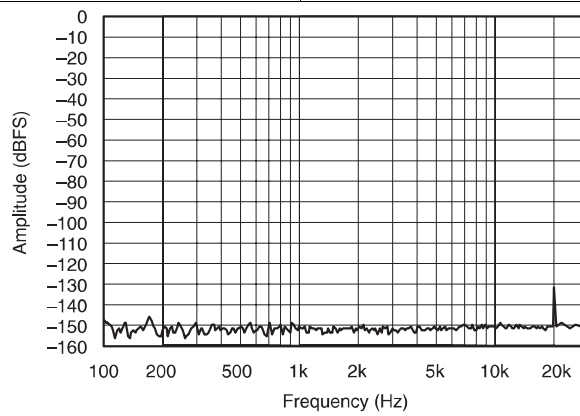
At  $T_A = +25^\circ\text{C}$ ,  $V_{A+} = +5\text{ V}$ ,  $V_{A-} = -5\text{ V}$ ,  $V_{D+} = +5\text{ V}$ ,  $R_L = 100\text{ k}\Omega$ ,  $C_L = 20\text{ pF}$ , BW measure = 10 Hz to 20 kHz, unless otherwise noted. All plots taken with PGA2311 A-grade.



**Figure 9. Crosstalk With  $F_{IN} = 1\text{ kHz}$**



**Figure 10. Crosstalk With  $F_{IN} = 10\text{ kHz}$**



**Figure 11. Crosstalk With  $F_{IN} = 20\text{ kHz}$**

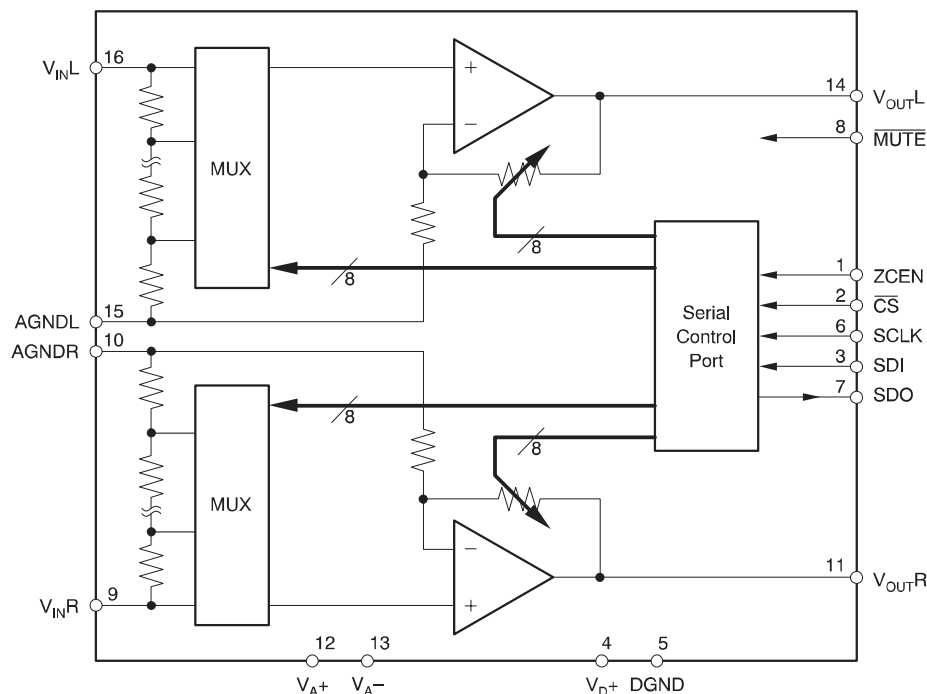
## 7 Detailed Description

### 7.1 Overview

The PGA2311 is a stereo audio volume control that can be used in a wide array of professional and consumer audio equipment. The PGA2311 is fabricated in a sub-micron CMOS process.

The heart of the PGA2311 is a resistor network, an analog switch array, and a high-performance operational amplifier stage. The switches select taps in the resistor network that determine the gain of the amplifier stage. Switch selections are programmed using a serial control port. The [Functional Block Diagram](#) section shows a model diagram of the PGA2311.

### 7.2 Functional Block Diagram



Copyright © 2016, Texas Instruments Incorporated

### 7.3 Feature Description

#### 7.3.1 Analog Inputs and Outputs

The PGA2311 includes two independent channels (referred to as the left and right channels). Each channel has a corresponding input and output pin. The input and output pins are unbalanced, or referenced to analog ground (either AGNDR or AGNDL). The inputs are  $V_{INR}$  (pin 9) and  $V_{INL}$  (pin 16), and the outputs are  $V_{OUTR}$  (pin 11) and  $V_{OUTL}$  (pin 14). The input and output pins can swing within 1.25 V of the analog power supplies,  $V_{A+}$  (pin 12) and  $V_{A-}$  (pin 13). Given  $V_{A+} = +5$  V and  $V_{A-} = -5$  V, the maximum input or output voltage range is 7.5 V<sub>p-p</sub>.

For optimal performance, drive the PGA2311 with a low source impedance. A source impedance of 600  $\Omega$  or less is recommended. Source impedances up to 2 k $\Omega$  cause minimal degradation of THD+N; see [Figure 8](#) for more details.

## Feature Description (continued)

### 7.3.2 Gain Settings

The gain for each channel is set by its corresponding 8-bit code, either R[7:0] or L[7:0] (see Figure 1). The gain code data is straight binary format. If N equals the decimal equivalent of R[7:0] or L[7:0], then the following relationships exist for the gain settings:

- For N = 0: Mute Condition. The input multiplexer is connected to analog ground (AGNDR or AGNDL).
- For N = 1 to 255: Gain (dB) = 31.5 – [0.5 w (255 – N)]

This results in a gain range of +31.5 dB (with N = 255) to –95.5 dB (with N = 1).

Changes in gain setting can be made with or without zero-crossing detection. The operation of the zero-crossing detector and timeout circuitry is discussed in the [Zero-Crossing Detection](#) section.

### 7.3.3 Daisy-Chaining Multiple PGA2311 Devices

To reduce the number of control signals required to support multiple PGA2311 devices on a printed circuit board (PCB), the serial control port supports daisy-chaining of multiple PGA2311 devices. Figure 12 shows the connection requirements for daisy-chain operation. This arrangement allows a 3-wire serial interface to control many PGA2311 devices.

As shown in Figure 12, the SDO pin from PGA2311 #1 is connected to the SDI input of PGA2311 #2, and is repeated for additional devices. This configuration in turn forms a large shift register, in which gain data can be written for all PGA2311s connected to the serial bus. The length of the shift register is 16 × N bits, where N is equal to the number of PGA2311 devices included in the chain. The CS input must remain LOW for 16 × N SCLK periods, where N is the number of devices connected in the chain, to allow enough SCLK cycles to load all devices.

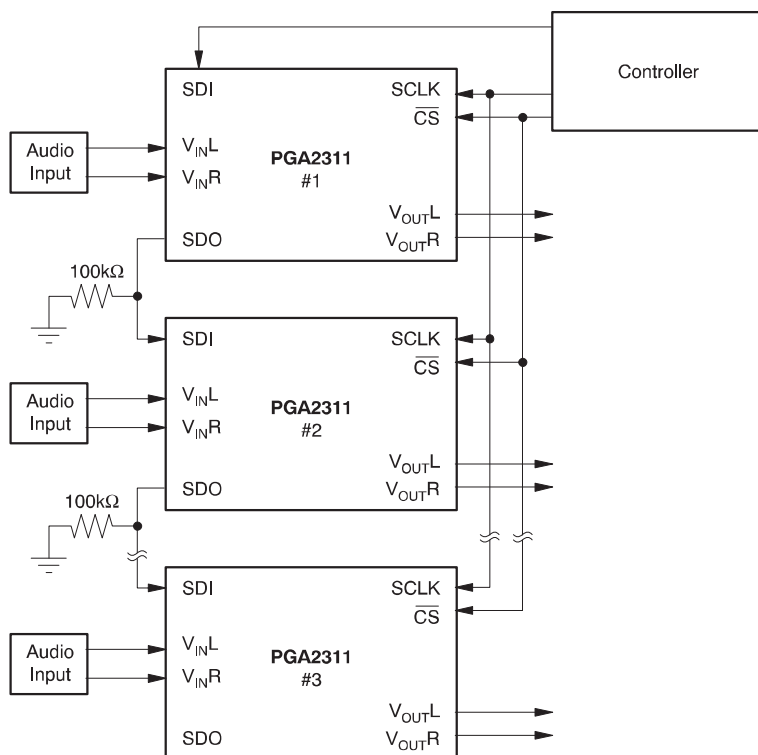


Figure 12. Daisy-Chaining Multiple PGA2311 Devices

## Feature Description (continued)

### 7.3.4 Zero-Crossing Detection

The PGA2311 includes a zero-crossing detection function for noise-free level transitions. The concept is to change gain settings on a zero-crossing of the input signal, thus minimizing audible glitches. This function is enabled or disabled using the ZCEN input (pin 1). When ZCEN is LOW, zero-crossing detection is disabled. When ZCEN is HIGH, zero-crossing detection is enabled.

The zero-crossing detection takes effect with a change in gain setting for a corresponding channel. The new gain setting is not implemented until either a positive slope zero crossing is detected, or a time-out period of 16 ms has elapsed. In the case of a time-out, the new gain setting takes effect with no attempt to minimize audible artifacts.

### 7.3.5 $\overline{\text{MUTE}}$ Function

Muting can be achieved by either hardware or software control. Hardware muting is accomplished through the  $\overline{\text{MUTE}}$  input, and software muting by loading all zeroes into the volume control register.

$\overline{\text{MUTE}}$  disconnects the internal buffer amplifiers from the output pins and terminates  $A_{\text{OUTL}}$  and  $A_{\text{OUTR}}$  with 10-k $\Omega$  resistors to ground. The mute is activated with a zero-crossing detection (independent of the zero-cross enable status), or an 16-ms time-out to eliminate any audible clicks or pops.  $\overline{\text{MUTE}}$  also initiates an internal offset calibration.

A software mute is implemented by loading all zeroes into the volume control register. The internal amplifier is set to unity gain, with the amplifier input connected to AGND.

## 7.4 Device Functional Modes

### 7.4.1 Power-Up State

On power-up, power-up reset is activated for approximately 100 ms, during which the circuit is in hardware  $\overline{\text{MUTE}}$  state and all internal flip-flops are reset. At the end of this period, the offset calibration is initiated without any external signals. When this step is complete, the gain byte value for both the left and right channels are set to 00<sub>HEX</sub>, or the software  $\overline{\text{MUTE}}$  condition. The gain remains at this setting until the host controller programs new settings for each channel via the serial control port.

If the power-supply voltage drops below  $\pm 3.2$  V during normal operation, the circuit enters a hardware MUTE state. A power-up sequence initiates if the power-supply voltage returns to greater than  $\pm 3.2$  V.

## 7.5 Programming

The serial control port is used to program the gain settings for the PGA2311. The serial control port includes three input pins and one output pin. The inputs include  $\overline{\text{CS}}$  (pin 2), SDI (pin 3), and SCLK (pin 6). The sole output pin is SDO (pin 7).

The  $\overline{\text{CS}}$  pin functions as the chip-select input. Data can be written to the PGA2311 only when  $\overline{\text{CS}}$  is LOW. SDI is the serial data input pin. Control data are provided as a 16-bit word at the SDI pin, 8 bits each for the left and right channel gain settings.

Data are formatted as MSB first, in straight binary code. SCLK is the serial clock input. Data are clocked into SDI on the rising edge of SCLK.

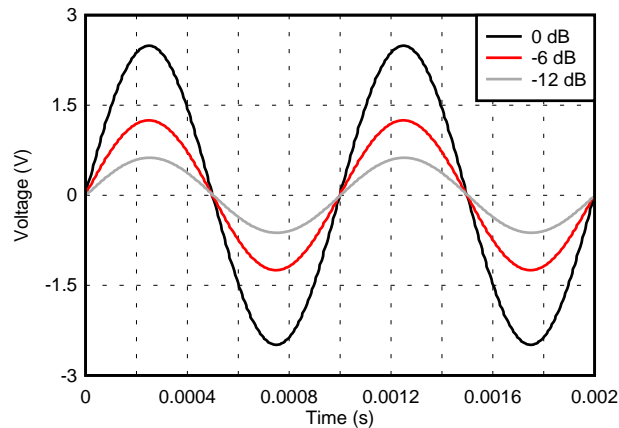
SDO is the serial data output pin, and used when daisy-chaining multiple PGA2311 devices. Daisy-chain operation is described in the [Daisy-Chaining Multiple PGA2311 Devices](#) section. SDO is a tri-state output, and assumes a high-impedance state when  $\overline{\text{CS}}$  is HIGH.

The protocol for the serial control port is illustrated in [Figure 1](#); see [Figure 2](#) for detailed timing specifications for the serial control port.



## Typical Application (continued)

### 8.2.3 Application Curve



**Figure 14. PGA2311 Operating at 0 dB, -6 dB and -12 dB**

## 9 Power Supply Recommendations

The PGA2311 is specified for operation with its analog power supplies ranging from  $\pm 4.75$  V to  $\pm 5.25$  V and its digital power supply ranging from 4.75 V to 5.25 V. Place power-supply bypass capacitors as close to the PGA2311 package as physically possible.

## 10 Layout

### 10.1 Layout Guidelines

The ground planes for the digital and analog sections of the PCB must be separate from one another. The planes must be connected at a single point. Figure 15 shows the recommended PCB floor plan for the PGA2311.

The PGA2311 is mounted so that the device straddles the split between the digital and analog ground planes. Pins 1 through 8 are oriented to the digital side of the board and pins 9 through 16 are on the analog side of the board.

### 10.2 Layout Example

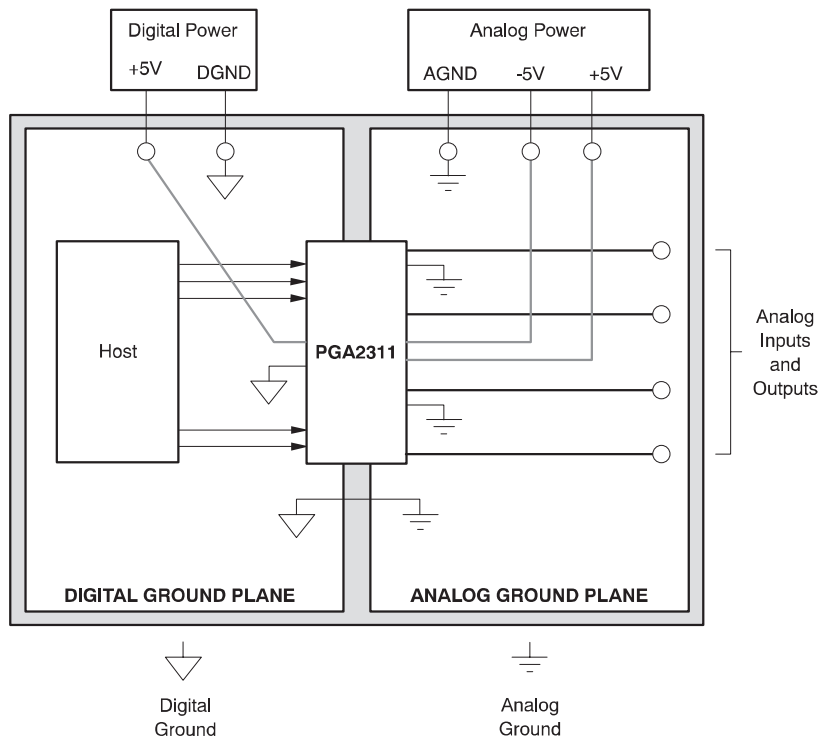


Figure 15. Typical PCB Layout Floor Plan

## 11 Device and Documentation Support

### 11.1 Documentation Support

#### 11.1.1 Related Documentation

For related documentation, see the following:

- *Circuit Board Layout Techniques*, [SLOA089](#)
- *Shelf-Life Evaluation of Lead-Free Component Finishes*, [SZZA046](#)

### 11.2 Community Resources

The following links connect to TI community resources. Linked contents are provided "AS IS" by the respective contributors. They do not constitute TI specifications and do not necessarily reflect TI's views; see TI's [Terms of Use](#).

**TI E2E™ Online Community** *TI's Engineer-to-Engineer (E2E) Community*. Created to foster collaboration among engineers. At [e2e.ti.com](http://e2e.ti.com), you can ask questions, share knowledge, explore ideas and help solve problems with fellow engineers.

**E2E Audio Amplifier Forum** *TI's Engineer-to-Engineer (E2E) Community for Audio Amplifiers*. Created to foster collaboration among engineers. Ask questions and receive answers in real-time.

### 11.3 Trademarks

E2E is a trademark of Texas Instruments.

All other trademarks are the property of their respective owners.

### 11.4 Electrostatic Discharge Caution



This integrated circuit can be damaged by ESD. Texas Instruments recommends that all integrated circuits be handled with appropriate precautions. Failure to observe proper handling and installation procedures can cause damage.

ESD damage can range from subtle performance degradation to complete device failure. Precision integrated circuits may be more susceptible to damage because very small parametric changes could cause the device not to meet its published specifications.

### 11.5 Glossary

[SLYZ022](#) — *TI Glossary*.

This glossary lists and explains terms, acronyms, and definitions.

## 12 Mechanical, Packaging, and Orderable Information

The following pages include mechanical, packaging, and orderable information. This information is the most current data available for the designated devices. This data is subject to change without notice and revision of this document. For browser-based versions of this data sheet, refer to the left-hand navigation.

**PACKAGING INFORMATION**

Orderable Device	Status (1)	Package Type	Package Drawing	Pins	Package Qty	Eco Plan (2)	Lead finish/ Ball material (6)	MSL Peak Temp (3)	Op Temp (°C)	Device Marking (4/5)	Samples
PGA2311P	ACTIVE	PDIP	N	16	25	RoHS & Green	Call TI	N / A for Pkg Type		PGA2311P	<a href="#">Samples</a>
PGA2311PA	ACTIVE	PDIP	N	16	25	RoHS & Green	Call TI	N / A for Pkg Type		PGA2311P A	<a href="#">Samples</a>
PGA2311U	ACTIVE	SOIC	DW	16	40	RoHS & Green	Call TI	Level-2-260C-1 YEAR	-40 to 85	PGA2311U	<a href="#">Samples</a>
PGA2311U/1K	ACTIVE	SOIC	DW	16	1000	RoHS & Green	Call TI	Level-2-260C-1 YEAR	-40 to 85	PGA2311U	<a href="#">Samples</a>
PGA2311UA	ACTIVE	SOIC	DW	16	40	RoHS & Green	Call TI	Level-2-260C-1 YEAR		PGA2311U A	<a href="#">Samples</a>
PGA2311UA/1K	ACTIVE	SOIC	DW	16	1000	RoHS & Green	Call TI	Level-2-260C-1 YEAR		PGA2311U A	<a href="#">Samples</a>

(1) The marketing status values are defined as follows:

**ACTIVE:** Product device recommended for new designs.

**LIFEBUY:** TI has announced that the device will be discontinued, and a lifetime-buy period is in effect.

**NRND:** Not recommended for new designs. Device is in production to support existing customers, but TI does not recommend using this part in a new design.

**PREVIEW:** Device has been announced but is not in production. Samples may or may not be available.

**OBSELETE:** TI has discontinued the production of the device.

(2) **RoHS:** TI defines "RoHS" to mean semiconductor products that are compliant with the current EU RoHS requirements for all 10 RoHS substances, including the requirement that RoHS substance do not exceed 0.1% by weight in homogeneous materials. Where designed to be soldered at high temperatures, "RoHS" products are suitable for use in specified lead-free processes. TI may reference these types of products as "Pb-Free".

**RoHS Exempt:** TI defines "RoHS Exempt" to mean products that contain lead but are compliant with EU RoHS pursuant to a specific EU RoHS exemption.

**Green:** TI defines "Green" to mean the content of Chlorine (Cl) and Bromine (Br) based flame retardants meet JS709B low halogen requirements of <=1000ppm threshold. Antimony trioxide based flame retardants must also meet the <=1000ppm threshold requirement.

(3) MSL, Peak Temp. - The Moisture Sensitivity Level rating according to the JEDEC industry standard classifications, and peak solder temperature.

(4) There may be additional marking, which relates to the logo, the lot trace code information, or the environmental category on the device.

(5) Multiple Device Markings will be inside parentheses. Only one Device Marking contained in parentheses and separated by a "~" will appear on a device. If a line is indented then it is a continuation of the previous line and the two combined represent the entire Device Marking for that device.

<sup>(6)</sup> Lead finish/Ball material - Orderable Devices may have multiple material finish options. Finish options are separated by a vertical ruled line. Lead finish/Ball material values may wrap to two lines if the finish value exceeds the maximum column width.

**Important Information and Disclaimer:**The information provided on this page represents TI's knowledge and belief as of the date that it is provided. TI bases its knowledge and belief on information provided by third parties, and makes no representation or warranty as to the accuracy of such information. Efforts are underway to better integrate information from third parties. TI has taken and continues to take reasonable steps to provide representative and accurate information but may not have conducted destructive testing or chemical analysis on incoming materials and chemicals. TI and TI suppliers consider certain information to be proprietary, and thus CAS numbers and other limited information may not be available for release.

In no event shall TI's liability arising out of such information exceed the total purchase price of the TI part(s) at issue in this document sold by TI to Customer on an annual basis.

**TAPE AND REEL INFORMATION**

**QUADRANT ASSIGNMENTS FOR PIN 1 ORIENTATION IN TAPE**


\*All dimensions are nominal

Device	Package Type	Package Drawing	Pins	SPQ	Reel Diameter (mm)	Reel Width W1 (mm)	A0 (mm)	B0 (mm)	K0 (mm)	P1 (mm)	W (mm)	Pin1 Quadrant
PGA2311U/1K	SOIC	DW	16	1000	330.0	16.4	10.75	10.7	2.7	12.0	16.0	Q1
PGA2311UA/1K	SOIC	DW	16	1000	330.0	16.4	10.75	10.7	2.7	12.0	16.0	Q1

**TAPE AND REEL BOX DIMENSIONS**


\*All dimensions are nominal

Device	Package Type	Package Drawing	Pins	SPQ	Length (mm)	Width (mm)	Height (mm)
PGA2311U/1K	SOIC	DW	16	1000	356.0	356.0	35.0
PGA2311UA/1K	SOIC	DW	16	1000	356.0	356.0	35.0

**TUBE**


\*All dimensions are nominal

Device	Package Name	Package Type	Pins	SPQ	L (mm)	W (mm)	T (μm)	B (mm)
PGA2311P	N	PDIP	16	25	506	13.97	11230	4.32
PGA2311PA	N	PDIP	16	25	506	13.97	11230	4.32
PGA2311U	DW	SOIC	16	40	507	12.83	5080	6.6
PGA2311UA	DW	SOIC	16	40	507	12.83	5080	6.6

## GENERIC PACKAGE VIEW

**DW 16**

**SOIC - 2.65 mm max height**

7.5 x 10.3, 1.27 mm pitch

SMALL OUTLINE INTEGRATED CIRCUIT

This image is a representation of the package family, actual package may vary.  
Refer to the product data sheet for package details.



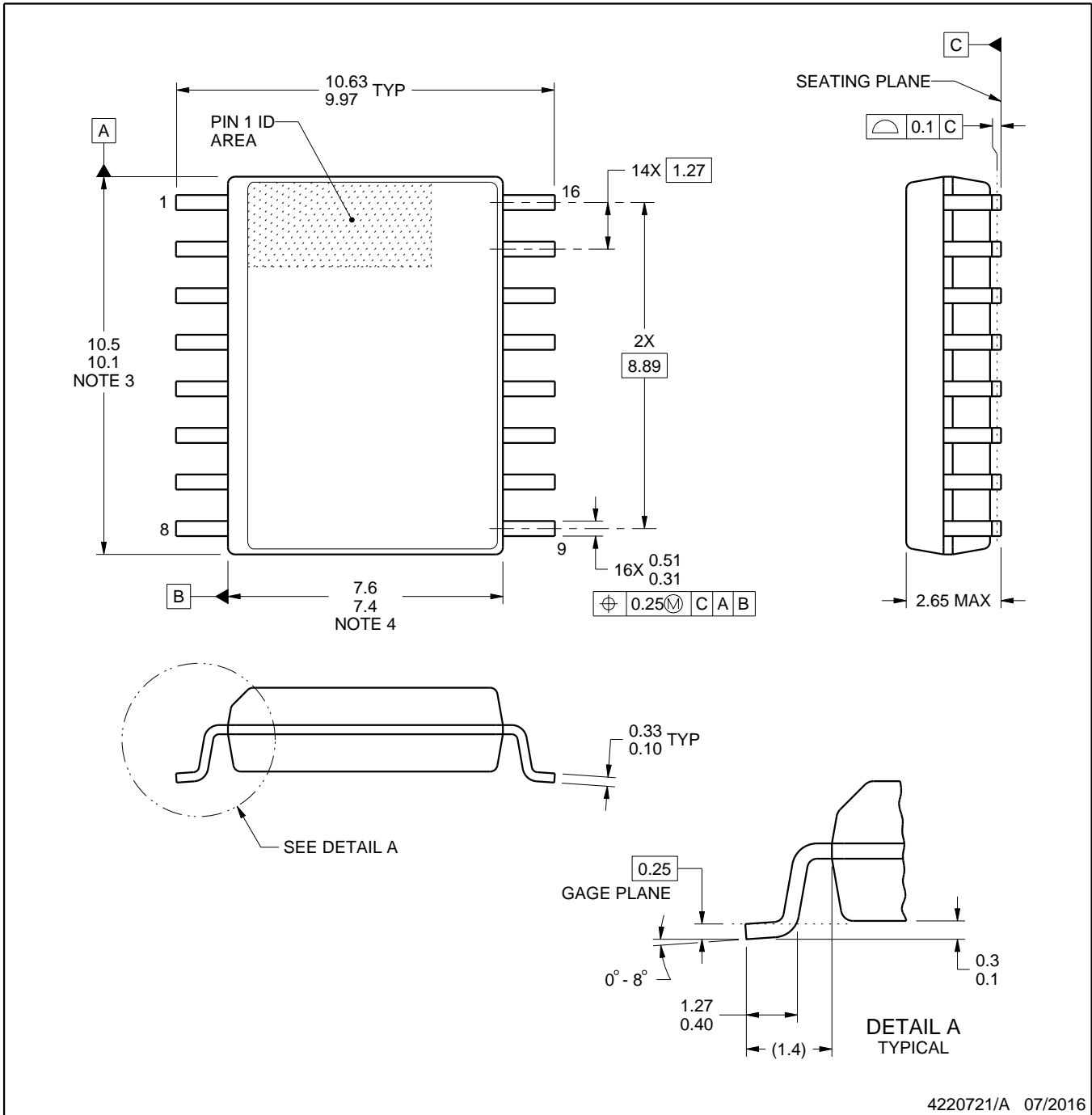
4224780/A



# DW0016A

# PACKAGE OUTLINE SOIC - 2.65 mm max height

SOIC



4220721/A 07/2016

### NOTES:

1. All linear dimensions are in millimeters. Dimensions in parenthesis are for reference only. Dimensioning and tolerancing per ASME Y14.5M.
2. This drawing is subject to change without notice.
3. This dimension does not include mold flash, protrusions, or gate burrs. Mold flash, protrusions, or gate burrs shall not exceed 0.15 mm, per side.
4. This dimension does not include interlead flash. Interlead flash shall not exceed 0.25 mm, per side.
5. Reference JEDEC registration MS-013.

# EXAMPLE BOARD LAYOUT

DW0016A

SOIC - 2.65 mm max height

SOIC



LAND PATTERN EXAMPLE  
SCALE:7X



SOLDER MASK DETAILS

4220721/A 07/2016

NOTES: (continued)

6. Publication IPC-7351 may have alternate designs.

7. Solder mask tolerances between and around signal pads can vary based on board fabrication site.

# EXAMPLE STENCIL DESIGN

DW0016A

SOIC - 2.65 mm max height

SOIC



SOLDER PASTE EXAMPLE  
BASED ON 0.125 mm THICK STENCIL  
SCALE:7X

4220721/A 07/2016

NOTES: (continued)

8. Laser cutting apertures with trapezoidal walls and rounded corners may offer better paste release. IPC-7525 may have alternate design recommendations.
9. Board assembly site may have different recommendations for stencil design.

N (R-PDIP-T\*\*)

PLASTIC DUAL-IN-LINE PACKAGE

16 PINS SHOWN



- NOTES:
- A. All linear dimensions are in inches (millimeters).
  - B. This drawing is subject to change without notice.
  - Falls within JEDEC MS-001, except 18 and 20 pin minimum body length (Dim A).
  - The 20 pin end lead shoulder width is a vendor option, either half or full width.

## IMPORTANT NOTICE AND DISCLAIMER

TI PROVIDES TECHNICAL AND RELIABILITY DATA (INCLUDING DATA SHEETS), DESIGN RESOURCES (INCLUDING REFERENCE DESIGNS), APPLICATION OR OTHER DESIGN ADVICE, WEB TOOLS, SAFETY INFORMATION, AND OTHER RESOURCES "AS IS" AND WITH ALL FAULTS, AND DISCLAIMS ALL WARRANTIES, EXPRESS AND IMPLIED, INCLUDING WITHOUT LIMITATION ANY IMPLIED WARRANTIES OF MERCHANTABILITY, FITNESS FOR A PARTICULAR PURPOSE OR NON-INFRINGEMENT OF THIRD PARTY INTELLECTUAL PROPERTY RIGHTS.

These resources are intended for skilled developers designing with TI products. You are solely responsible for (1) selecting the appropriate TI products for your application, (2) designing, validating and testing your application, and (3) ensuring your application meets applicable standards, and any other safety, security, regulatory or other requirements.

These resources are subject to change without notice. TI grants you permission to use these resources only for development of an application that uses the TI products described in the resource. Other reproduction and display of these resources is prohibited. No license is granted to any other TI intellectual property right or to any third party intellectual property right. TI disclaims responsibility for, and you will fully indemnify TI and its representatives against, any claims, damages, costs, losses, and liabilities arising out of your use of these resources.

TI's products are provided subject to [TI's Terms of Sale](#) or other applicable terms available either on [ti.com](http://ti.com) or provided in conjunction with such TI products. TI's provision of these resources does not expand or otherwise alter TI's applicable warranties or warranty disclaimers for TI products.

TI objects to and rejects any additional or different terms you may have proposed.

Mailing Address: Texas Instruments, Post Office Box 655303, Dallas, Texas 75265  
Copyright © 2022, Texas Instruments Incorporated

## Looking for pricing, stock, or lifecycle information?

Click below to explore more details on WIN SOURCE:

 [View PGA2311UA](#) on WIN SOURCE

 [Texas Instruments](#) Information

## Optimize Your Supply Chain with WIN SOURCE Solutions

-  Global Sourcing Solution
-  Obsolete Management
-  Cost Control Management
-  Shortage Management
-  Alternative Solution
-  Excess Inventory Management