






**THE DATASHEET OF
PE-68011T**



10BASE-T INTERFACE MODULES

Designed for Use with Most 10Base-T
Transceiver Chips



-  Improved EMI performance for FCC & CISPR Class B certification
-  Designed to meet or exceed IEEE 802.3i-1993 10Base-T specifications
-  235°C peak infrared reflow temperature rating

Electrical Specifications @ 25°C — Operating Temperature 0°C to 70°C

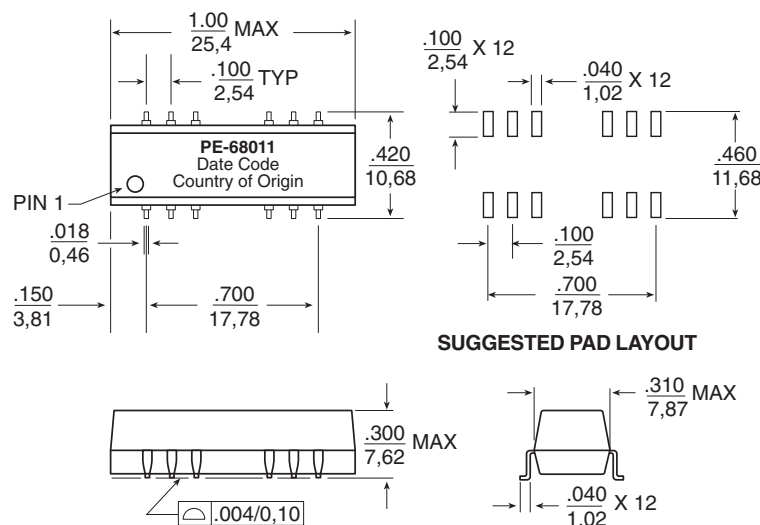
Part Number	Insertion Loss (dB MAX)	Attenuation (dB MIN) ¹		Return Loss 0.1 to 10 MHz (dB MIN)		Crosstalk (dB MIN)					Pri-Sec Isolation	
		to 10 MHz	30 MHz TX	30 MHz RX	70 MHz	100 Ω	98±13 Ω	5 MHz	10 MHz	30 MHz	50 MHz	100 MHz
PE-68011	-1.0	-32	-15	-25	-18	-15	-50	-45	-35	-30	-35	2000

¹Both transmit and receive channels meet IEEE 802.3i-1993 specifications, transmit side is further enhanced for the typical applications

Common Mode Rejection

	5 MHz		10 MHz		50 MHz		100 MHz		200 MHz	
	TX	RX	TX	RX	TX	RX	TX	RX	TX	RX
Typical dB	-65	-70	-60	-60	-50	-55	-45	-50	-40	-45
MIN dB	-50	-50	-45	-45	-30	-30	-25	-25	-20	-20

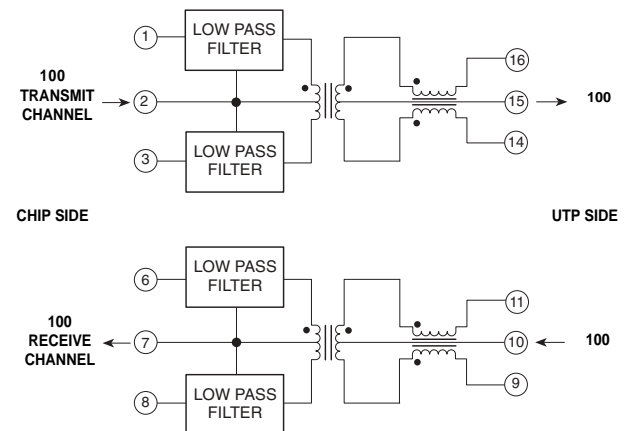
Mechanical



Dimensions: $\frac{\text{Inches}}{\text{mm}}$

Unless otherwise specified all tolerances are $\pm \frac{.010}{0,25}$

Schematic



Weight 2.8 grams
Tape & Reel 450/reel
Tube 20/tube

10BASE-T INTERFACE MODULES

Designed for Use with Most 10Base-T Transceiver Chips



Application Notes

Pulse's 10Base-T interface module provides the complete analog solution for maintaining high data integrity in transmissions between multiport hubs, and individual stations, (ports, nodes). Hubs and stations utilizing these modules fully meet the requirement of IEEE 802.3i-1993 standards and operate at a full 10 Mbps data rate over 100 meters of cable.

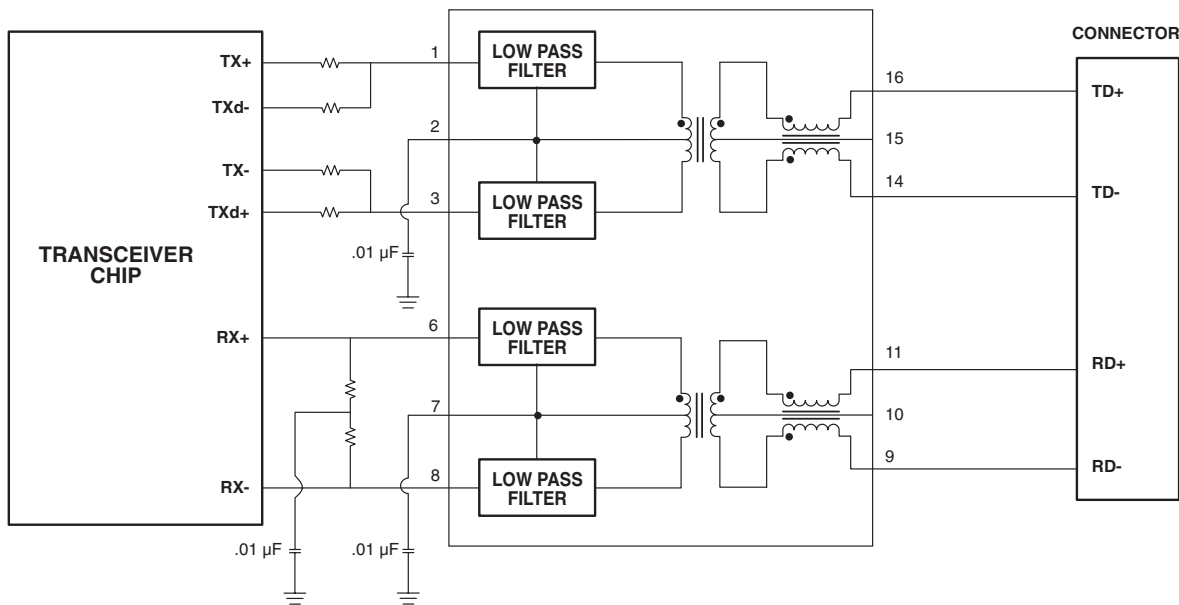
Both transmit and receive channels of PE-68011 consist of low pass filters, isolation transformers and common mode chokes. They provide three basic functions: EMI suppression, impedance matching and equipment isolation.

Compliance with IEEE standards can be achieved by applying rigorous design guidelines to suppress EMI and crosstalk interferences as well as control both signal jitter and reflections.

PE-68011 controls these features by creating the optimum signal shape and spectral content. At system level, these noise mechanisms may be reduced by optimizing high frequency signal paths and utilizing good PCB grounding techniques. PE-68011, with higher order low pass filters and high impedance common mode chokes, significantly helps to minimize noise to the lowest possible level. Each part is fully tested to provide 2000 Vrms breakdown protection from static charge which may develop on the twisted pair line.

Modules are shipped in tubes unless tape & reel is specified. Please add the suffix "T" (i.e. PE-68011T) for tape & reel orders (increments of 450 pcs required).

Typical Application Circuit



For More Information :

UNITED STATES (Worldwide)	UNITED KINGDOM (Northern Europe)	FRANCE (Southern Europe)	SINGAPORE (Southern Asia)	TAIWAN, R.O.C. (Northern Asia)	HONG KONG (Great China)	DISTRIBUTOR
12220 World Trade Drive San Diego, CA 92128 U.S.A. http://www.pulseeng.com TEL: 858 674 8100 FAX: 858 674 8262	1 & 2 Huxley Road The Surrey Research Park Guildford, Surrey GU2 5RE United Kingdom TEL: 44 1483 401700 FAX: 44 1483 401701	Zone Industrielle F-39270 Orgelet France TEL: 33 3 84 35 04 04 FAX: 33 3 84 25 46 41	150 Kampong Ampat #07-01/02 KA Centre Singapore 368324 TEL: 65 287 8998 FAX: 65 280 0080	3F-4, No. 81, Sec. 1 HsinTai Wu Road Hsi-Chih, Taipei Hsien Taiwan, R.O.C. Tel: 886 2 2698 0228 FAX: 886 2 2698 0948	19/F, China United Plaza 1008 Tai Nan West Street Cheung Sha Wan, Kowloon Hong Kong, China TEL: 852 2788 6588 FAX: 852 2776 1055	

Performance warranty of products offered on this data sheet is limited to the parameters specified. Data is subject to change without notice. Other brand and product names mentioned herein may be trademarks or registered trademarks of their respective owners.

Printed on recycled paper. ©2002, Pulse Engineering, Inc.

Looking for pricing, stock, or lifecycle information?

Click below to explore more details on WIN SOURCE:

 [View PE-68011T on WIN SOURCE](#)

 [Pulse Information](#)

Optimize Your Supply Chain with WIN SOURCE Solutions

-  Global Sourcing Solution
-  Obsolete Management
-  Cost Control Management
-  Shortage Management
-  Alternative Solution
-  Excess Inventory Management