



**THE DATASHEET OF
PE-63387**



Mosfet Gate Drive Transformers

PA3815NL Series



- International safety construction, VDE approval with IEC62368-1
- 3750V_{RMS} gate to drive winding test
- Useful operating frequency from 20kHz to 100kHz

Electrical Specifications @ 25°C - Operating Temperature -40°C to +125°C

Part Number	Turns Ratio (±5%)	Inductance $I_{V_{RMS}}$ 1 kHz Term 1-2 (μH MIN)	Leakage ¹ Inductance Term 1-2 (μH MAX)	DCR Drive Winding (Ω MAX)	DCR Gate Winding (Ω MAX)	C _{ww} Drive Winding (pf MAX)	C _{ww} Gate To Gate (pf MAX)	Typical Operating Frequency (kHz)
PE-63385NL	1:1	1500	4.0	0.40	0.75	50	NA	20-100
PE-63387NL *	1:1:1	1500	4.0	0.40	0.75	50	130	20-100
PE-63386NL	1:1.5	1500	4.0	0.40	2.50	50	NA	20-100
PE-63388NL	1:1.5:1.5	1500	4.0	0.40	2.50	50	130	20-100

Notes: *Tested to 4400Vrms for 1 minute as PE-68448NL.

Maximum Ratings

Rating	Sym	PE-63385 PE-63386	PE-63387 PE-63388	Unit
Drive Excitation, Unipolar	ET _U ⁶	200	320	V-μs
Drive Excitation, Bipolar	ET _B ⁶	400	640	V-μs
Secondary RMS Current	I _{SR} ⁷	640	500	ma
Operating & Storage Temp.	T _{OP} , T _{STG}	105	105	°C

Dielectric Strength

Test Between	RMS Test Volts 60Hz, 1 Minute Hold
Gate-Drive	3750
Gate-Gate	1500
Gate-Core	2000
Drive-Core	1750

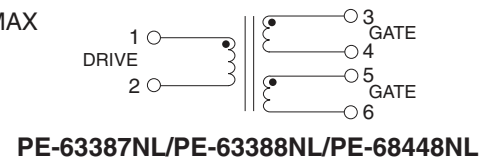
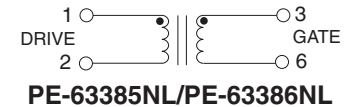
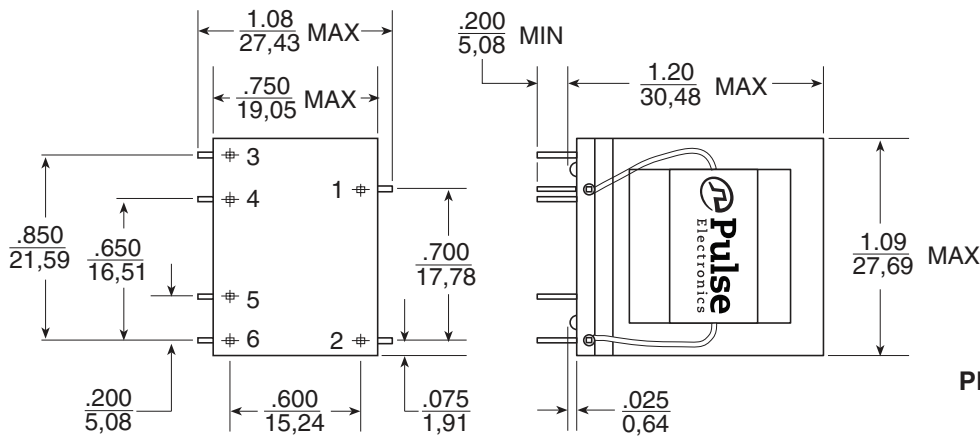
Mosfet Gate Drive Transformers

PA3815NL Series

Mechanical

Schematic

PE-XXXXNL



Dimensions: Inches
mm

Unless otherwise specified,
all tolerances are $\pm .010$
0,25

Notes:

1. Measured with secondaries shorted
2. Pins .025/0,64 square solderable
3. Unused pins not provided
4. Pin numbers not marked on par
5. Mounting header flammability rating: UL-94V0
6. At 2480 Gauss
7. At 200 CM/AMP

For More Information

Pulse Worldwide Headquarters

15255 Innovation Drive Ste 100
San Diego, CA 92128
U.S.A.

Pulse Europe

Pulse Electronics GmbH
Am Rottland 12
58540 Meinerzhagen
Germany

Pulse China Headquarters

Pulse Electronics (ShenZhen) CO., LTD
D708, Shenzhen Academy of
Aerospace Technology,
The 10th Keji South Road,
Nanshan District, Shenzhen, P.R.
China 518057

Pulse North China

Room 2704/2705
Super Ocean Finance Ctr.
2067 Yan An Road West
Shanghai 200336
China

Pulse South Asia

3 Fraser Street
0428 DUO Tower
Singapore 189352

Pulse North Asia

1F, No.111
Xiyuan Road
Zhongli District
Taoyuan City 32057
Taiwan (R.O.C)

Tel: 858 674 8100
Fax: 858 674 8262

Tel: 49 2354 777 100
Fax: 49 2354 777 168

Tel: 86 755 33966678
Fax: 86 755 33966700

Tel: 86 21 62787060
Fax: 86 2162786973

Tel: 65 6287 8998
Fax: 65 6280 0080

Tel: 886 3 4356768
Fax: 886 3 4356820

Performance warranty of products offered on this data sheet is limited to the parameters specified. Data is subject to change without notice. Other brand and product names mentioned herein may be trademarks or registered trademarks of their respective owners. © Copyright, 2019. Pulse Electronics, Inc. All rights reserved.

Looking for pricing, stock, or lifecycle information?

Click below to explore more details on WIN SOURCE:

 [View PE-63387 on WIN SOURCE](#)

 [Pulse Information](#)

Optimize Your Supply Chain with WIN SOURCE Solutions

-  Global Sourcing Solution
-  Obsolete Management
-  Cost Control Management
-  Shortage Management
-  Alternative Solution
-  Excess Inventory Management