

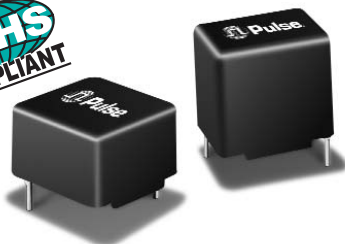


**THE DATASHEET OF  
PE-52627NL**



# STANDARD LOW POWER INDUCTORS

## Switch Mode Power Converters & Ripple Filters



- Designed for general purpose use
- High inductance stability with varying volt-seconds and load currents
- Compact, standard packages
- Low profile or vertical packages

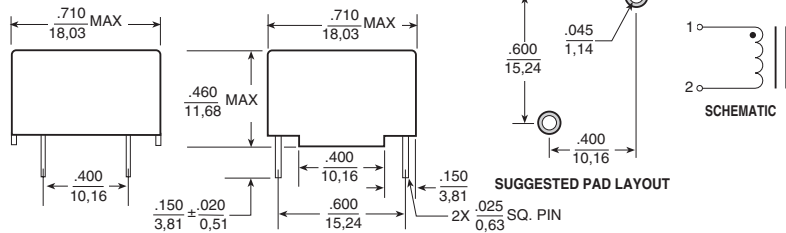
### Electrical Specifications @ 25°C — Operating Temperature -40°C to 130°C

Low Profile <sup>3</sup> Part Number	Vertical <sup>3</sup> Part Number	REFERENCE OPERATING VALUES				DESIGN CONTROL VALUES		
		Inductance Typical ( $\mu$ H)	$I_{DC}$ <sup>1</sup> (AMPS)	Maximum <sup>2</sup> $ET_{OP}$ (V- $\mu$ Sec)	Energy Storage ( $\mu$ J) <sup>1</sup>	Inductance No DC ( $\mu$ H $\pm$ 20%)	20kHz Test mV No DC	DCR ( $\Omega$ MAX)
PE-52625NL	PE-52645NL	150	1.7	80	215	145	110	.42
PE-52626NL	PE-52646NL	220	1.5	90	240	226	140	.42
PE-52627NL	PE-52647NL	330	1.0	100	165	316	170	.78
PE-52628NL	PE-52648NL	470	.90	120	190	480	210	1.26
PE-52629NL	PE-52649NL	680	.85	175	245	690	250	1.50
PE-52630NL	PE-52650NL	820	.75	175	230	780	270	2.40
PE-52631NL	PE-52651NL	1000	.50	175	125	975	300	2.60

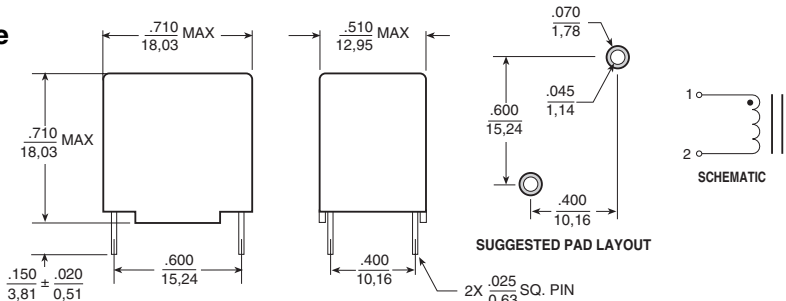
NOTES: 1.  $I_{DC}$  rated for 40°C Temperature rise @ low  $ET_{OP}$ . 2. Derate current 20% at this  $ET_{OP}$ .  
3. The Leaded version of these parts is available by removing the "NL" suffix when ordering.

### Mechanicals

#### Low Profile Package



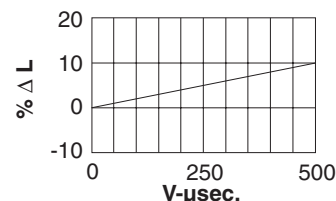
#### Vertical Package



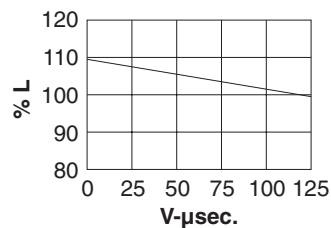
Unless otherwise specified, all tolerances are  $\pm .010$   
 $0,25$

Dimensions:  $\frac{\text{inches}}{\text{mm}}$

#### Inductance Characteristics



#### Inductance Variance vs. E.T.



#### Inductance Variance vs. Load Current

### For More Information:

#### Pulse Worldwide Headquarters

12220 World Trade Drive  
San Diego, CA 92128  
U.S.A.

[www.pulseeng.com](http://www.pulseeng.com)  
TEL: 858 674 8100  
FAX: 858 674 8262

#### Pulse Northern Europe

3 Huxley Road  
Surrey Research Park  
Guildford, Surrey GU2 5RE  
United Kingdom

TEL: 44 1483 401700  
FAX: 44 1483 401701

#### Pulse Southern Europe

Zone Industrielle  
F-39270  
Orgelet  
France

TEL: 33 3 84 35 04 04  
FAX: 33 3 84 25 46 41

#### Pulse China Headquarters

No. 1  
Industrial District  
Changan, Dongguan  
China

TEL: 86 769 5538070  
FAX: 86 769 5538870

#### Pulse North China

Room 1002  
No. 819  
Nanjing West Rd  
Shanghai  
China

TEL: 86 21 32181071  
FAX: 86 21 32181396

#### Pulse South Asia

150 Kampong Ampat  
#07-01/02  
KA Centre  
Singapore 368324

TEL: 65 6287 8998  
FAX: 65 6280 0080

#### Pulse North Asia

3F-4, No. 81, Sec. 1  
Hsin Tai Wu Road  
Hsi-Chih  
Taipei Hsien  
Taiwan

TEL: 886 2 26980228  
FAX: 886 2 26980948

Performance warranty of products offered on this data sheet is limited to the parameters specified. Data is subject to change without notice. Other brand and product names mentioned herein may be trademarks or registered trademarks of their respective owners.

© Copyright, 2005. Pulse Engineering, Inc. All rights reserved.

## Looking for pricing, stock, or lifecycle information?

Click below to explore more details on WIN SOURCE:

 [View PE-52627NL on WIN SOURCE](#)

 [Pulse Information](#)

## Optimize Your Supply Chain with WIN SOURCE Solutions

-  Global Sourcing Solution
-  Obsolete Management
-  Cost Control Management
-  Shortage Management
-  Alternative Solution
-  Excess Inventory Management