

75 Ω RF Digital Attenuator
5-bit, 31 dB, DC – 4.0 GHz

Features

- Attenuation: 1 dB steps to 31 dB
- Flexible parallel and serial programming interfaces
- Latched or direct mode
- Unique power-up state selection
- Positive CMOS control logic
- High attenuation accuracy and linearity over temperature and frequency
- Very low power consumption
- Single-supply operation
- 75 Ω impedance
- Pin compatible with PE430x series
- Packaged in a 20 Lead 4x4 mm QFN

Product Description

The PE4308 is a high linearity, 5-bit RF Digital Step Attenuator (DSA) covering 31 dB attenuation range in 1dB steps, and is pin compatible with the PE430x series. This 75-ohm RF DSA provides both parallel (latched or direct mode) and serial CMOS control interface, operates on a single 3-volt supply and maintains high attenuation accuracy over frequency and temperature. It also has a unique control interface that allows the user to select an initial attenuation state at power-up. The PE4308 exhibits very low insertion loss and low power consumption. This functionality is delivered in a 4x4 mm QFN footprint.

The PE4308 is manufactured on Peregrine's UltraCMOS™ process, a patented variation of silicon-on-insulator (SOI) technology on a sapphire substrate, offering the performance of GaAs with the economy and integration of conventional CMOS.

Figure 1. Functional Schematic Diagram

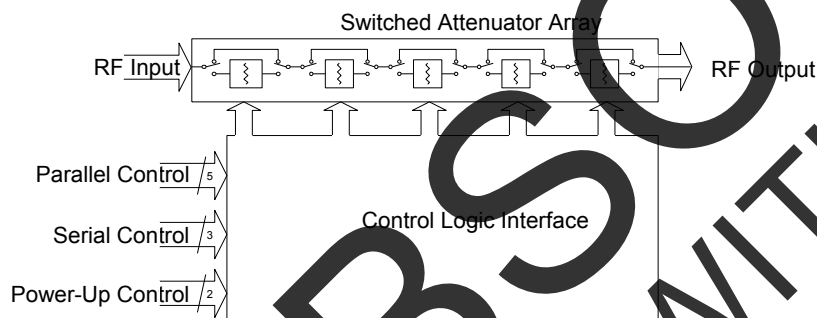


Figure 2. Package Type
20 Lead 4x4 mm QFN

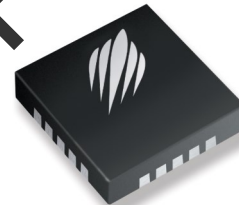


Table 1. Electrical Specifications @ +25°C, V_{DD} = 3.0 V

| Parameter | Test Conditions | Frequency | Minimum | Typical | Maximum | Units |
|--|--------------------------------------|----------------|---------|---------|---|----------|
| Operation Frequency | | DC | | | 2000 | MHz |
| Insertion Loss | | DC ≤1.2 GHz | - | 1.4 | 1.95 | dB |
| Attenuation Accuracy | Any Bit or Bit Combination | DC ≤1.2 GHz | - | - | ±(0.2 + 4% of atten setting) Not to Exceed +0.4 dB | dB dB |
| 1 dB Compression ^{3,4} | | 1 MHz ≤1.2 GHz | 30 | 34 | - | dBm |
| Input IP ₃ ^{1,2,4} | Two-tone inputs up to +18 dBm | 1 MHz ≤1.2 GHz | - | 52 | - | dBm |
| Return Loss | | DC ≤1.2 GHz | 10 | 13 | - | dB |
| Switching Speed | 50% control to 0.5 dB of final value | | - | - | 1 | μs |

- Notes: 1. Device Linearity will begin to degrade below 1 MHz
 2. See figures on Pages 4 to 6 for data across frequency.
 3. Note Absolute Maximum in Table 3.
 4. Measured in a 50 Ω system.

Figure 14. Pin Configuration (Top View)

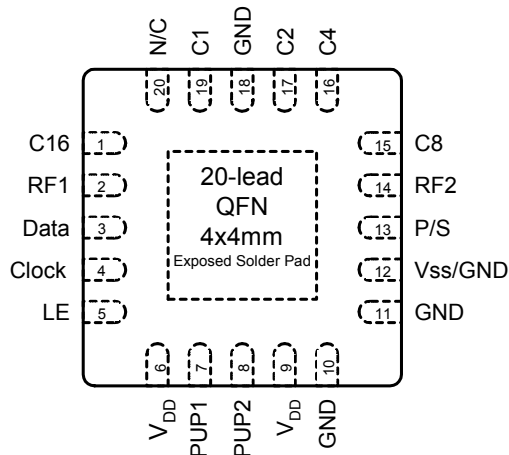


Table 2. Pin Descriptions

| Pin No. | Pin Name | Description |
|---------|----------------------|---|
| 1 | C16 | Attenuation control bit, 16dB (Note 4). |
| 2 | RF1 | RF port (Note 1). |
| 3 | Data | Serial interface data input (Note 4). |
| 4 | Clock | Serial interface clock input. |
| 5 | LE | Latch Enable input (Note 2). |
| 6 | V _{DD} | Power supply pin. |
| 7 | PUP1 | Power-up selection bit. |
| 8 | PUP2 | Power-up selection bit. |
| 9 | V _{DD} | Power supply pin. |
| 10 | GND | Ground connection. |
| 11 | GND | Ground connection. |
| 12 | V _{ss} /GND | Negative supply voltage or GND connection (Note 3). |
| 13 | P/S | Parallel/Serial mode select. |
| 14 | RF2 | RF port (Note 1). |
| 15 | C8 | Attenuation control bit, 8 dB. |
| 16 | C4 | Attenuation control bit, 4 dB. |
| 17 | C2 | Attenuation control bit, 2 dB. |
| 18 | GND | Ground connection. |
| 19 | C1 | Attenuation control bit, 1 dB. |
| 20 | N/C | No connect |
| Paddle | GND | Ground for proper operation |

- Notes: 1: Both RF ports must be held at 0 V_{cc} or DC blocked with an external series capacitor.
 2: Latch Enable (LE) has an internal 100 kΩ resistor to V_{DD}.
 3: Connect pin 12 to GND to enable internal negative voltage generator. Connect pin 12 to V_{SS} (-V_{DD}) to bypass and disable internal negative voltage generator.
 4: Place a 10 kΩ resistor in series, as close to pin as possible to avoid frequency resonance. See "Resistor on Pin 1 & 3" paragraph.

Table 3. Absolute Maximum Ratings

| Symbol | Parameter/Conditions | Min | Max | Units |
|------------------|--------------------------------|------|----------------------|-------|
| V _{DD} | Power supply voltage | -0.3 | 4.0 | V |
| V _I | Voltage on any input | -0.3 | V _{DD} +0.3 | V |
| T _{ST} | Storage temperature range | -65 | 150 | °C |
| P _{IN} | Input power (50Ω) | | +30 | dBm |
| V _{ESD} | ESD voltage (Human Body Model) | | 500 | V |

Table 4. Operating Ranges

| Parameter | Min | Typ | Max | Units |
|--------------------------------------|---------------------|-----|---------------------|-------|
| V _{DD} Power Supply Voltage | 2.7 | 3.0 | 3.3 | V |
| I _{DD} Power Supply Current | | | 100 | μA |
| Digital Input High | 0.7xV _{DD} | | | V |
| Digital Input Low | | | 0.3xV _{DD} | V |
| Digital Input Leakage | | | 1 | μA |
| Input Power | | | +24 | dBm |
| Temperature range | -40 | | 85 | °C |

Exposed Solder Pad Connection

The exposed solder pad on the bottom of the package must be grounded for proper device operation.

Electrostatic Discharge (ESD) Precautions

When handling this UltraCMOS™ device, observe the same precautions that you would use with other ESD-sensitive devices. Although this device contains circuitry to protect it from damage due to ESD, precautions should be taken to avoid exceeding the rate specified in Table 3.

Latch-Up Avoidance

Unlike conventional CMOS devices, UltraCMOS™ devices are immune to latch-up.

Switching Frequency

The PE4308 has a maximum 25 kHz switching rate.

Resistor on Pin 1 & 3

A 10 kΩ resistor on the inputs to Pin 1 & 3 (see Figure 5) will eliminate package resonance between the RF input pin and the two digital inputs. Specified attenuation error versus frequency performance is dependent upon this condition.

Evaluation Kit

The Digital Attenuator Evaluation Kit was designed to ease customer evaluation of the PE4308 DSA.

J9 is used in conjunction with the supplied DC cable to supply V_{DD} , GND, and $-V_{DD}$. If use of the internal negative voltage generator is desired, then connect $-V_{DD}$ (black banana plug) to ground. If an external $-V_{DD}$ is desired, then apply -3 V.

J1 should be connected to the LPT1 port of a PC with the supplied control cable. The evaluation software is written to operate the DSA in serial mode, so switch 7 (P/S) on the DIP switch SW1 should be ON with all other switches off. Using the software, enable or disable each attenuation setting to the desired combined attenuation. The software automatically programs the DSA each time an attenuation state is enabled or disabled. Note: Jumper J6 supplies power to the evaluation board support circuits.

To evaluate the power up options, first disconnect the control cable from the evaluation board. The control cable must be removed to prevent the PC port from biasing the control pins.

During power up with P/S=1 high and LE=1, the default power-up signal attenuation is set to the value present on the five control bits on the five parallel data inputs (C1 to C16). This allows any one of the 32 attenuation settings to be specified as the power-up state.

During power up with P/S=0 high and LE=0, the control bits are automatically set to one of four possible values presented through the PUP interface. These four values are selected by the two power-up control bits, PUP1 and PUP2, as shown in the Table 6.

Pin 20 is open and can be connected to any bias

Figure 4. Evaluation Board Layout
Peregrine Specification 101/0112

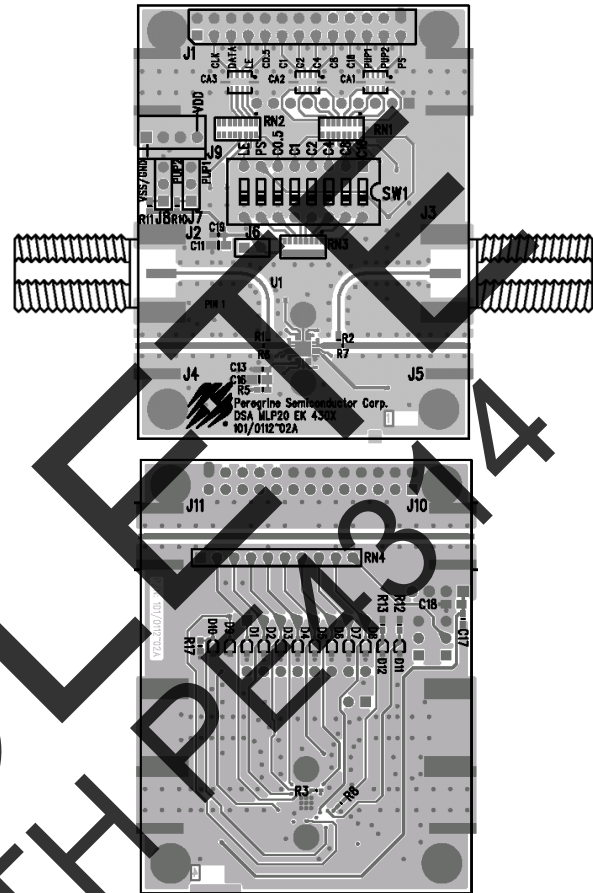
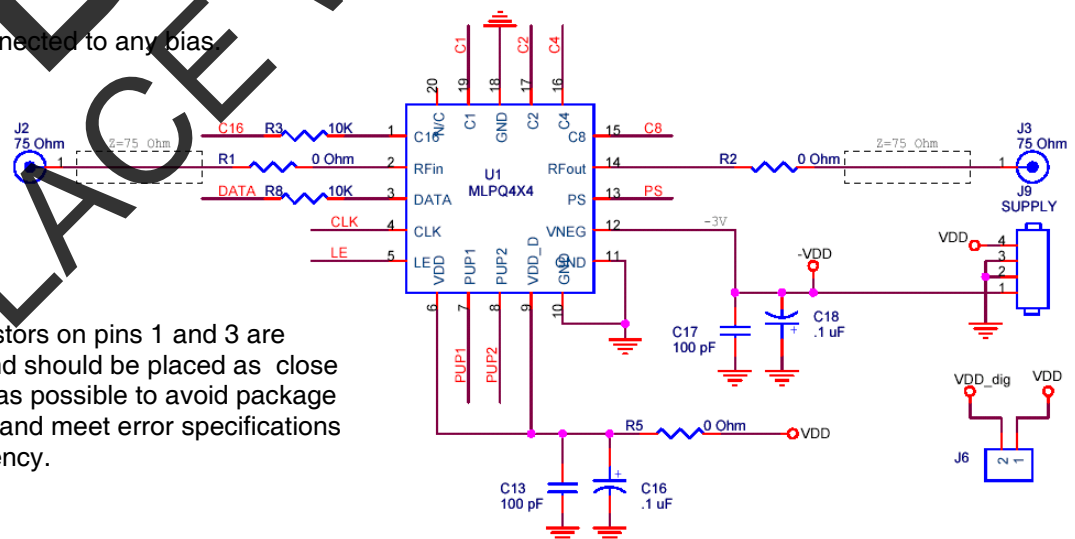


Figure 5. Evaluation Board Schematic
Peregrine Specification 102/0142



Note: Resistors on pins 1 and 3 are required and should be placed as close to the part as possible to avoid package resonance and meet error specifications over frequency.

Typical Performance Data (25°C, $V_{DD} = 3.0\text{ V}$ unless otherwise noted)

Figure 6. Insertion Loss ($Z_0=75\text{ ohms}$)

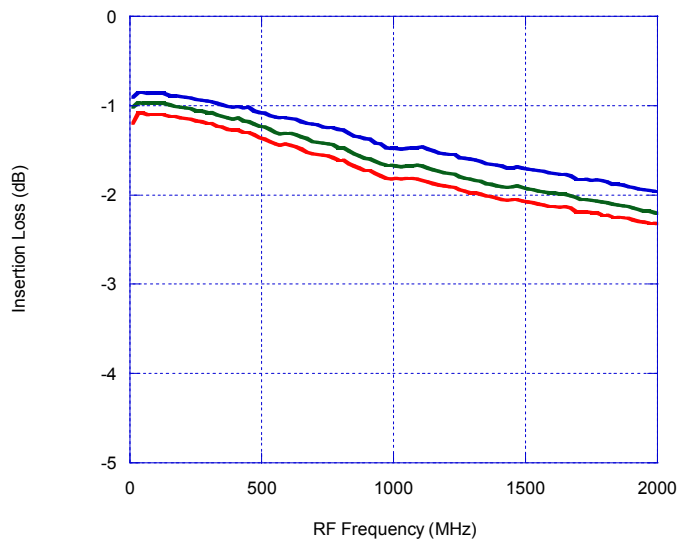


Figure 7. Attenuation at Major steps

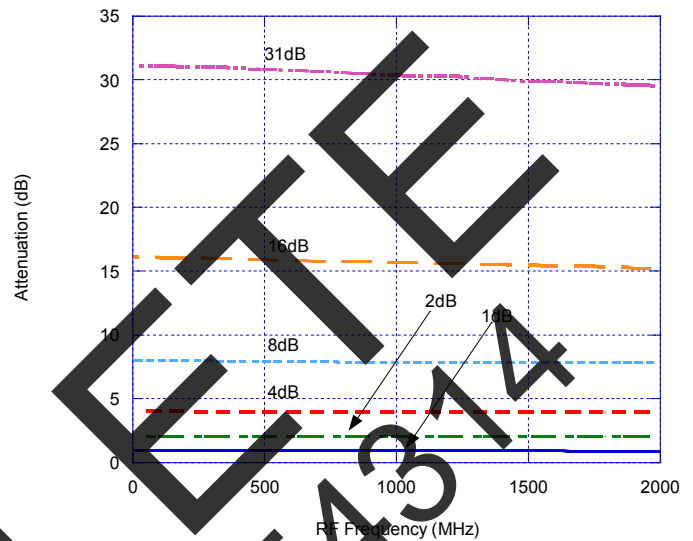


Figure 8. Input Return Loss at Major Attenuation Steps ($Z_0=75\text{ ohms}$)

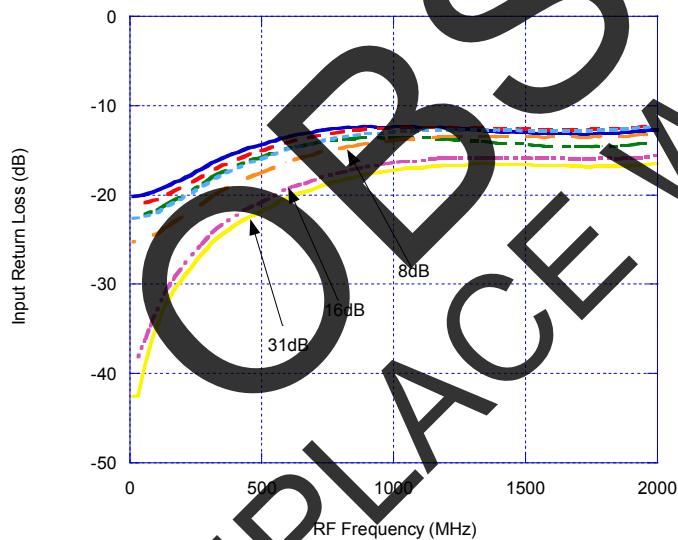
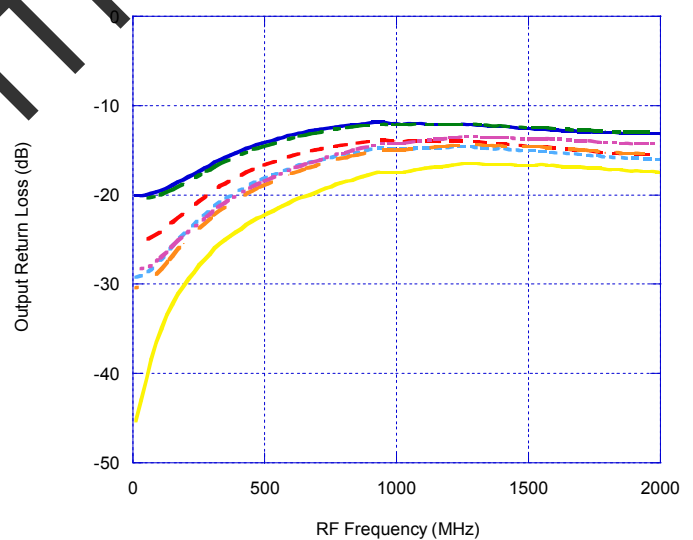


Figure 9. Output Return Loss at Major Attenuation Steps ($Z_0=75\text{ ohms}$)



Typical Performance Data (25°C, $V_{DD} = 3.0\text{ V}$ unless otherwise noted)

Figure 10. Attenuation Error Vs. Frequency

Figure 11. Attenuation Error Vs. Attenuation Setting

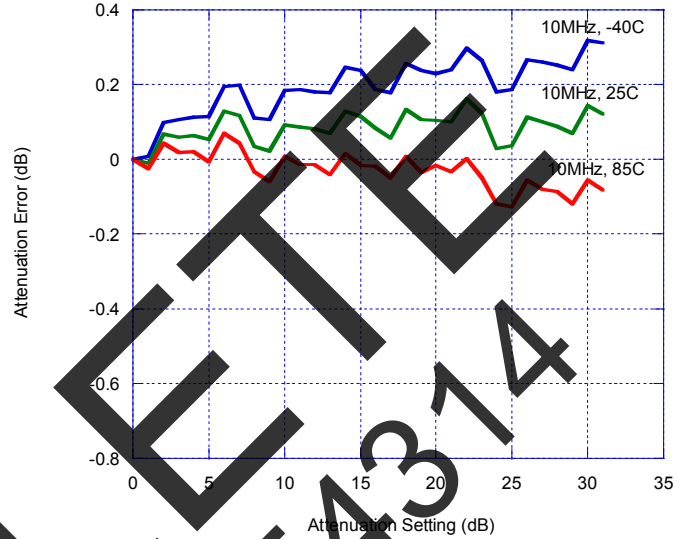
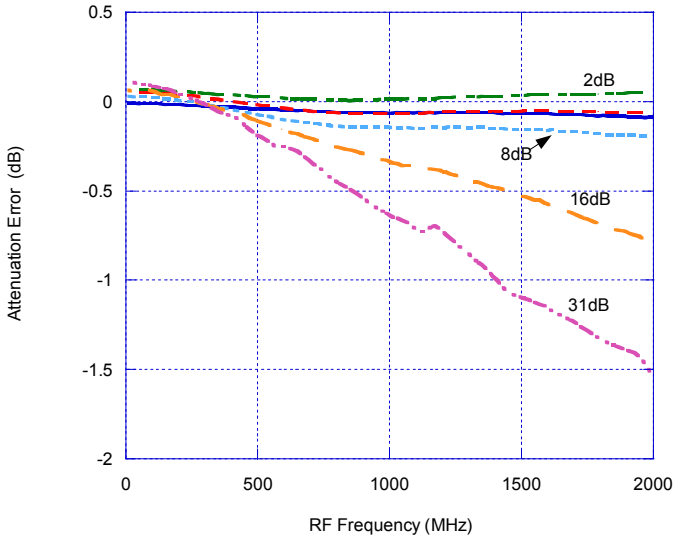
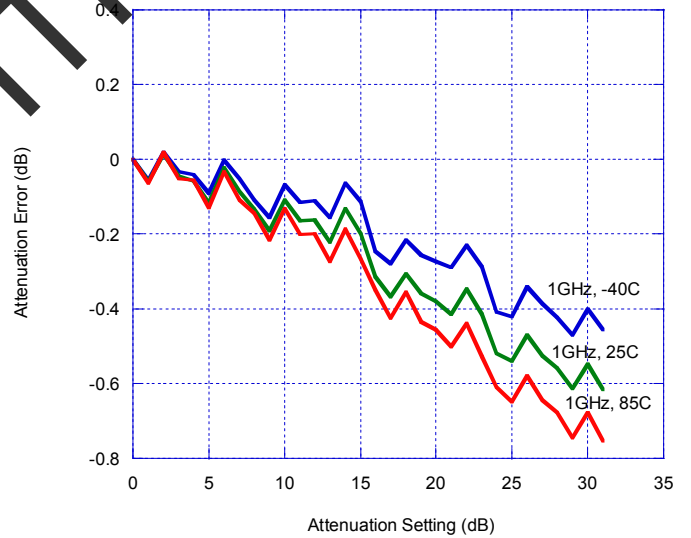
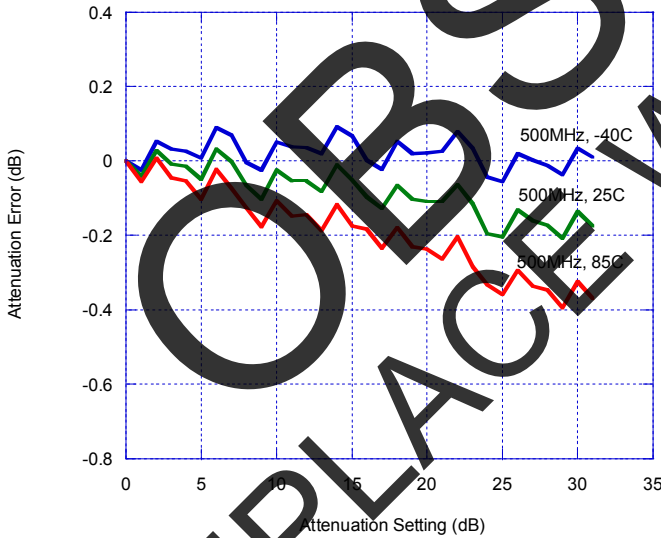


Figure 12. Attenuation Error Vs. Attenuation Setting

Figure 13. Attenuation Error Vs. Attenuation Setting



Note: Positive attenuation error indicates higher attenuation than target value

Typical Performance Data (25°C, V_{DD} = 3.0 V unless otherwise noted)

Figure 14. Attenuation Error vs. Attenuation Setting

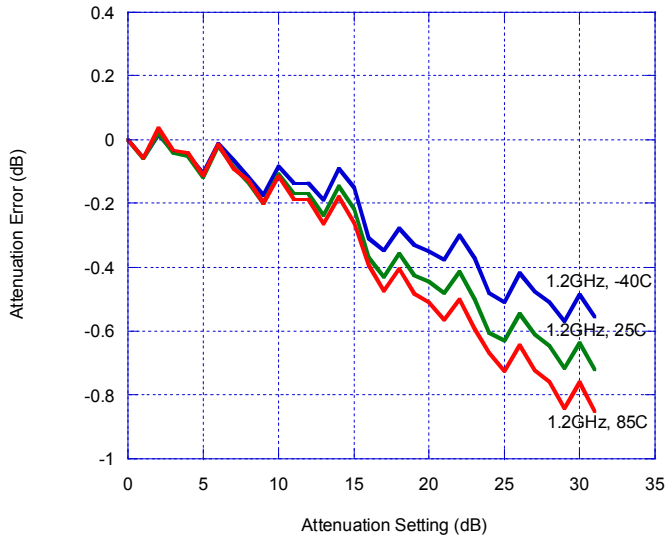


Figure 15. Input 1 dB Compression (Z_o=50 ohms)

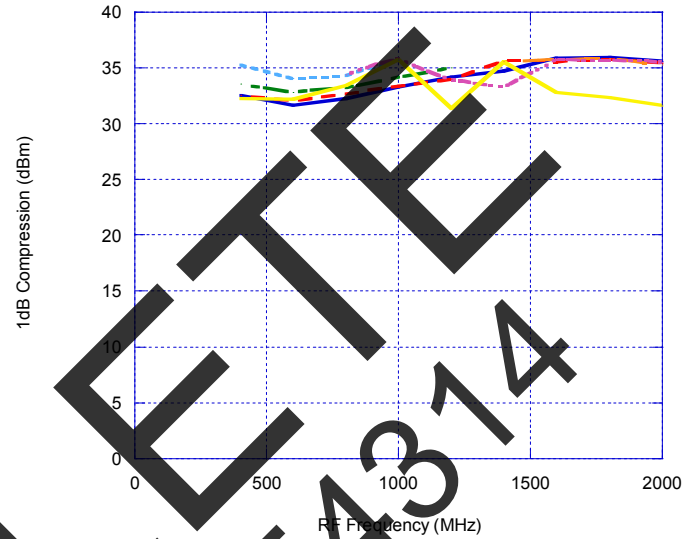
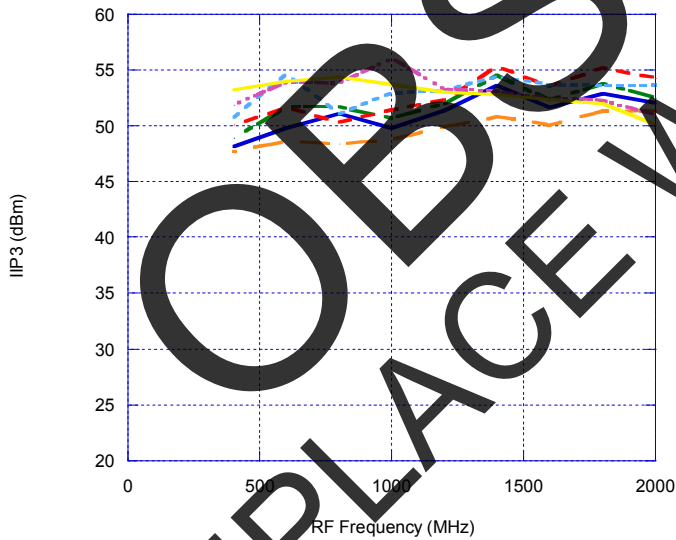


Figure 16. Input IP3 (Z_o=50 ohms)



Note: Positive attenuation error indicates higher attenuation than target value

Programming Options

Parallel/Serial Selection

Either a parallel or serial interface can be used to control the PE4308. The P/S bit provides this selection, with P/S=LOW selecting the parallel interface and P/S=HIGH selecting the serial interface.

Parallel Mode Interface

The parallel interface consists of five CMOS-compatible control lines that select the desired attenuation state, as shown in Table 5.

The parallel interface timing requirements are defined by Figure 19 (Parallel Interface Timing Diagram), Table 9 (Parallel Interface AC Characteristics), and switching speed (Table 1).

For *latched* parallel programming the Latch Enable (LE) should be held LOW while changing attenuation state control values, then pulse LE HIGH to LOW (per Figure 19) to latch new attenuation state into device.

For *direct* parallel programming, the Latch Enable (LE) line should be pulled HIGH. Changing attenuation state control values will change device state to new attenuation. Direct Mode is ideal for manual control of the device (using hardware, switches, or jumpers).

Table 5. Truth Table

| P/S | C16 | C8 | C4 | C2 | C1 | Attenuation State |
|-----|-----|----|----|----|----|-------------------|
| 0 | 0 | 0 | 0 | 0 | 0 | Reference Loss |
| 0 | 0 | 0 | 0 | 0 | 1 | 1 dB |
| 0 | 0 | 0 | 0 | 1 | 0 | 2 dB |
| 0 | 0 | 0 | 1 | 0 | 0 | 4 dB |
| 0 | 0 | 1 | 0 | 0 | 0 | 8 dB |
| 0 | 1 | 0 | 0 | 0 | 0 | 16 dB |
| 0 | 1 | 1 | 1 | 1 | 1 | 31 dB |

Note: Not all 32 possible combinations of C1-C16 are shown.

Serial Interface

The PE4308's serial interface is a 6-bit serial-in, parallel-out shift register buffered by a transparent latch. The latch is controlled by three CMOS-compatible signals: Data, Clock, and Latch Enable (LE). The Data and Clock inputs allow data to be

serially entered into the shift register, a process that is independent of the state of the LE input.

The LE input controls the latch. When LE is HIGH, the latch is transparent and the contents of the serial shift register control the attenuator. When LE is brought LOW, data in the shift register is latched.

The shift register should be loaded while LE is held LOW to prevent the attenuator value from changing as data is entered. The LE input should then be toggled HIGH and brought LOW again, latching the new data. The stop bit (B0) of the data should always be low to prevent an unknown state in the device. The timing for this operation is defined by Figure 17 (Serial Interface Timing Diagram) and Table 8 (Serial Interface AC Characteristics).

Power-up Control Settings

The PE4308 always assumes a specifiable attenuation setting on power-up. This feature exists for both the Serial and Parallel modes of operation, and allows a known attenuation state to be established before an initial serial or parallel control word is provided.

When the attenuator powers up in Serial mode (P/S=1), the five control bits and a stop bit are set to whatever data is present on the five parallel data inputs (C1 to C16). This allows any one of the 32 attenuation settings to be specified as the power-up state.

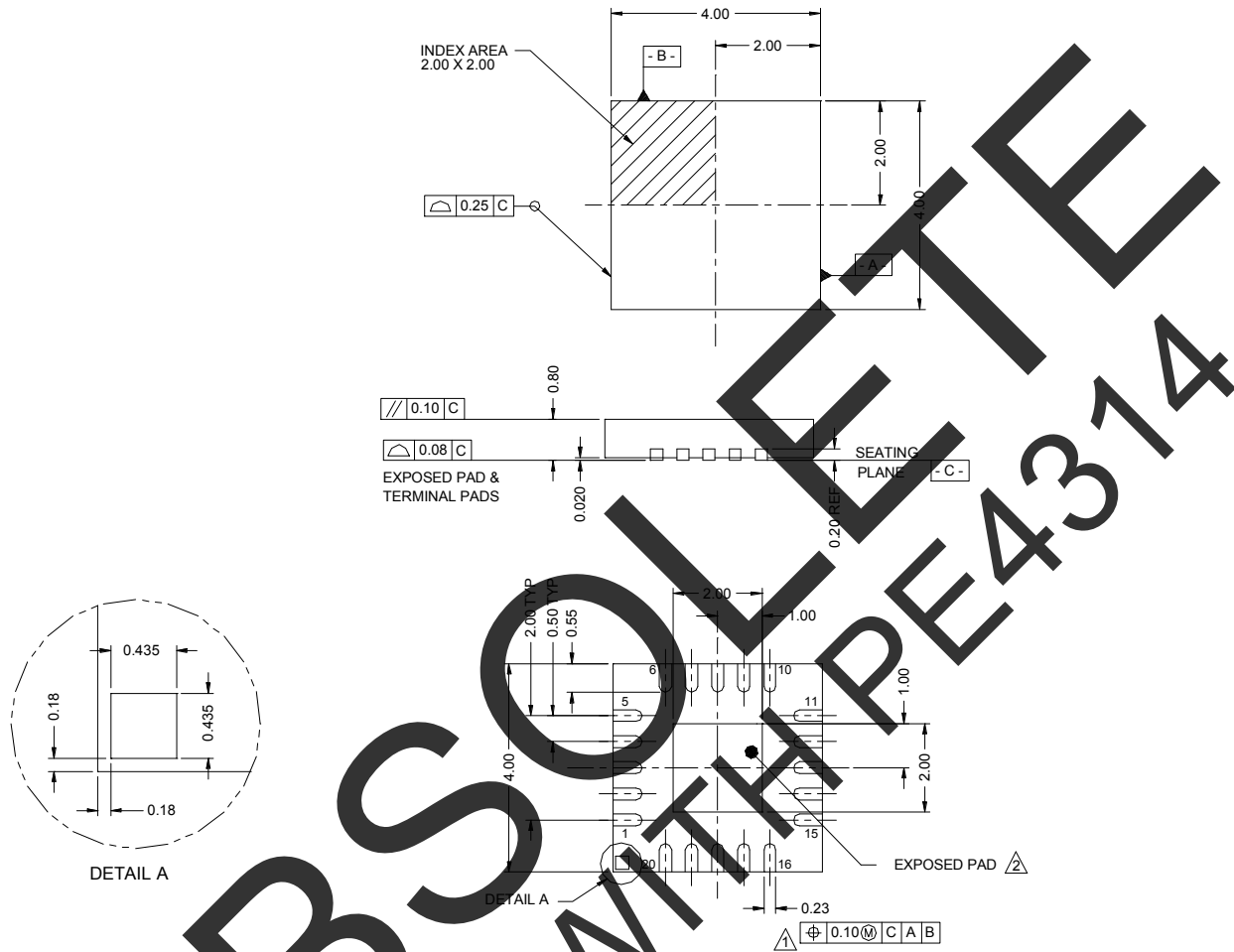
When the attenuator powers up in Parallel mode (P/S=0) with LE=0, the control bits are automatically set to one of four possible values. These four values are selected by the two power-up control bits, PUP1 and PUP2, as shown in Table 6 (Power-Up Truth Table, Parallel Mode).

Table 6. Power-Up Truth Table, Parallel Interface Mode

| P/S | LE | PUP2 | PUP1 | Attenuation State |
|-----|----|------|------|-------------------|
| 0 | 0 | 0 | 0 | Reference Loss |
| 0 | 0 | 0 | 1 | 8 dB |
| 0 | 0 | 1 | 0 | 16 dB |
| 0 | 0 | 1 | 1 | 31 dB |
| 0 | 1 | X | X | Defined by C1-C16 |

Note: Power up with LE=1 provides normal parallel operation with C1-C16, and PUP1 and PUP2 are not active.

Figure 19. Package Drawing



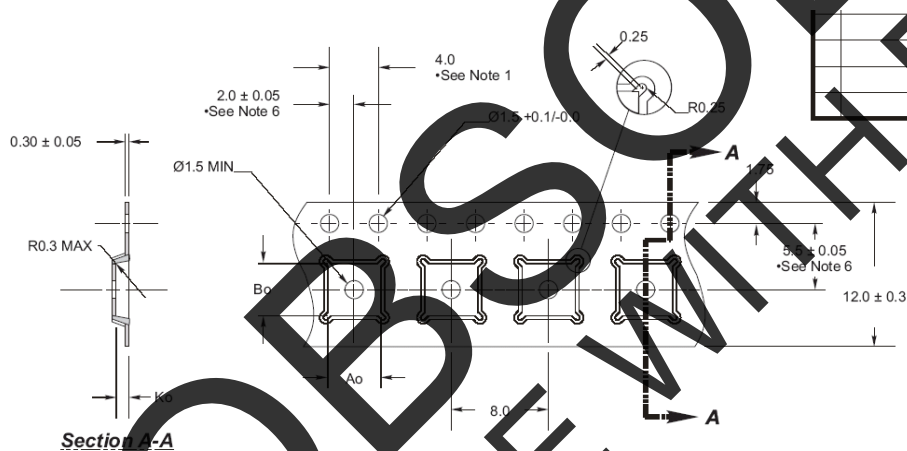
1. Dimension applies to metallized terminal and is measured between 0.25 and 0.30 from terminal tip.
2. Coplanarity applies to the exposed heat sink slug as well as the terminal.
3. Dimensions are in millimeters.

Figure 20. Marking Specifications



YYWW = Date Code
ZZZZZ = Last five digits of PSC Lot Number

Figure 21. Tape and Reel Drawing



Ao = 4.35 mm
Bo = 4.35 mm
Ko = 1.1 mm

- Notes:
1. 10 sprocket hole pitch cumulative tolerance ± 0.2 .
 2. Camber not to exceed 1mm in 100mm.
 3. Material: PS + C.
 4. Ao and Bo measured as indicated.
 5. Ko measured from a plane on the inside bottom of the pocket to the top surface of the carrier.
 6. Pocket position relative to sprocket hole measured as true position of pocket, not pocket hole.

Table 10. Ordering Information

| Order Code | Part Marking | Description | Package | Shipping Method |
|------------|--------------|---------------------------|--------------------------|------------------|
| 4308-01 | 4308 | PE4308-20MLP 4x4mm-75A | 20-lead 4x4 mm QFN | 75 units / Tube |
| 4308-02 | 4308 | PE4308-20MLP 4x4mm-3000C | 20-lead 4x4 mm QFN | 3000 units / T&R |
| 4308-00 | PE4308-EK | PE4308-20MLP 4x4mm-EK | Evaluation Kit | 1 / Box |
| 4308-51 | 4308 | PE4308G-20MLP 4x4mm-75A | Green 20-lead 4x4 mm QFN | 75 units / Tube |
| 4308-52 | 4308 | PE4308G-20MLP 4x4mm-3000C | Green 20-lead 4x4 mm QFN | 3000 units / T&R |

Sales Offices

The Americas

Peregrine Semiconductor Corporation

9450 Carroll Park Drive
San Diego, CA 92121
Tel: 858-731-9400
Fax: 858-731-9499

Europe

Peregrine Semiconductor Europe

Bâtiment Maine
13-15 rue des Quatre Vents
F-92380 Garches, France
Tel: +33-1-4741-9173
Fax : +33-1-4741-9173

Space and Defense Products

Americas:

Tel: 858-731-9453

Europe, Asia Pacific:

180 Rue Jean de Guiramand
13852 Aix-En-Provence Cedex 3, France
Tel: +33-4-4239-3361
Fax: +33-4-4239-7227

North Asia Pacific

Peregrine Semiconductor K.K.

Teikoku Hotel Tower 10B-6
1-1-1 Uchisaiwai-cho, Chiyoda-ku
Tokyo 100-0011 Japan
Tel: +81-3-3502-5211
Fax: +81-3-3502-5213

Peregrine Semiconductor, Korea

#B-2402, Kolon Tripolis, #210
Geumgok-dong, Bundang-gu, Seongnam-si
Gyeonggi-do, 463-480 S. Korea
Tel: +82-31-728-4300
Fax: +82-31-728-4305

South Asia Pacific

Peregrine Semiconductor, China

Shanghai, 200040, P.R. China
Tel: +86-21-5836-8276
Fax: +86-21-5836-7652

For a list of representatives in your area, please refer to our Web site at: www.psemi.com

Data Sheet Identification

Advance Information

The product is in a formative or design stage. The data sheet contains design target specifications for product development. Specifications and features may change in any manner without notice.

Preliminary Specification

The data sheet contains preliminary data. Additional data may be added at a later date. Peregrine reserves the right to change specifications at any time without notice in order to supply the best possible product.

Product Specification

The data sheet contains final data. In the event Peregrine decides to change the specifications, Peregrine will notify customers of the intended changes by issuing a DCN (Document Change Notice).

The information in this data sheet is believed to be reliable. However, Peregrine assumes no liability for the use of this information. Use shall be entirely at the user's own risk.



No patent rights or licenses to any circuits described in this data sheet are implied or granted to any third party.

Peregrine's products are not designed or intended for use in devices or systems intended for surgical implant, or in other applications intended to support or sustain life, or in any application in which the failure of the Peregrine product could create a situation in which personal injury or death might occur. Peregrine assumes no liability for damages, including consequential or incidental damages, arising out of the use of its products in such applications.

The Peregrine name, logo, and UTSi are registered trademarks and UltraCMOS and HaRP are trademarks of Peregrine Semiconductor Corp.

Looking for pricing, stock, or lifecycle information?

Click below to explore more details on WIN SOURCE:

-  [View PE4308 on WIN SOURCE](#)
-  [Peregrine Semiconductor](#) Information

Optimize Your Supply Chain with WIN SOURCE Solutions

-  Global Sourcing Solution
-  Obsolete Management
-  Cost Control Management
-  Shortage Management
-  Alternative Solution
-  Excess Inventory Management