



# THE DATASHEET OF PCM5100APWR



## PCM510xA 2.1 V<sub>RMS</sub>, 112/106/100 dB Audio Stereo DAC with PLL and 32-bit, 384 kHz PCM Interface

### 1 Features

- Ultra Low Out-of-Band Noise
- Integrated High-Performance Audio PLL with BCK Reference to Generate SCK Internally
- Direct Line Level 2.1-V<sub>RMS</sub> Output
- No DC Blocking Capacitors Required
- Line Level Output Down to 1KΩ
- Intelligent Muting System; Soft Up or Down Ramp and Analog Mute For 120-dB Mute SNR
- Accepts 16-, 24-, and 32-Bit Audio Data
- PCM Data Formats: I<sup>2</sup>S, Left-Justified
- Automatic Power-Save Mode When LRCK And BCK Are Deactivated
- 1.8 V or 3.3 V Failsafe LVCMOS Digital Inputs
- Simple Configuration Using Hardware Pins
- Single-Supply Operation: 14
  - 3.3 V Analog, 1.8 V or 3.3 V Digital
- Qualified in Accordance with AEC-Q100

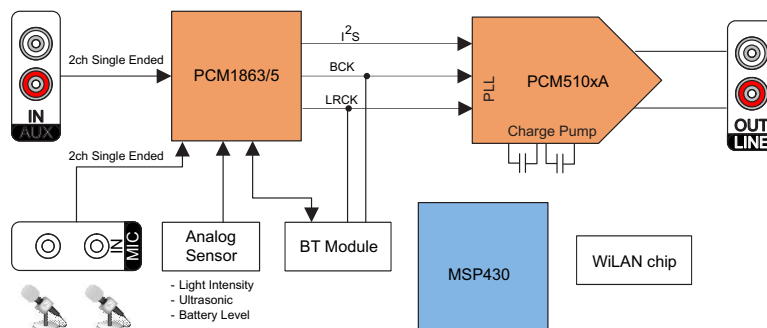
### 2 Applications

- A/V Receivers, DVD, BD Players
- Automotive Infotainment and Telematics
- HDTV Receivers
- Aftermarket Automotive Amplifiers

### 3 Description

The PCM510xA devices are a family of monolithic CMOS-integrated circuits that include a stereo digital-to-analog converter and additional support circuitry in a small TSSOP package. The PCM510xA devices use the latest generation of TI's advanced segment-DAC architecture to achieve excellent dynamic performance and improved tolerance to clock jitter.

### 4 Simplified System Diagram



Using Directpath™ charge-pump technology, the PCM510xA devices provide 2.1-V<sub>RMS</sub> ground centered outputs, allowing designers to eliminate DC blocking capacitors on the output, as well as external muting circuits traditionally associated with single-supply line drivers.

The integrated line driver surpasses all other charge-pump based line drivers by supporting loads down to 1 kΩ per pin.

The integrated PLL on the device removes the requirement for a system clock (commonly known as master clock), allowing a 3-wire I<sup>2</sup>S connection and reducing system EMI.

Intelligent clock error and PowerSense undervoltage protection utilizes a two-level mute system for pop-free performance.

Compared with many conventional switched capacitor DAC architectures, the PCM510xA family offers up to 20 dB lower out-of-band noise, reducing EMI and aliasing in downstream amplifiers/ADCs, measured from the traditional 100-kHz OBN measurements to 3 MHz).

**Table 1. Device Information<sup>(1)</sup>**

PART NUMBER	PACKAGE	BODY SIZE (NOM)
PCM5102A	TSSOP (20)	5.50 mm x 4.40 mm
PCM5101A		
PCM5100A		

(1) For all available packages, see the orderable addendum at the end of the data sheet.



## Table of Contents

<b>1 Features</b> .....	1	9.4 Device Functional Modes.....	25
<b>2 Applications</b> .....	1	<b>10 Applications and Implementation</b> .....	26
<b>3 Description</b> .....	1	10.1 Application Information.....	26
<b>4 Simplified System Diagram</b> .....	1	<b>11 Power Supply Recommendations</b> .....	28
<b>5 Revision History</b> .....	2	11.1 Power Supply Distribution and Requirements .....	28
<b>6 Device Comparison</b> .....	4	11.2 Recommended Powerdown Sequence.....	28
<b>7 Pin Configuration and Functions</b> .....	5	11.3 External Power Sense Undervoltage Protection Mode .....	30
<b>8 Specifications</b> .....	6	11.4 Power-On Reset Function.....	32
8.1 Absolute Maximum Ratings .....	6	11.5 PCM510xA Power Modes .....	33
8.2 ESD Ratings .....	6	<b>12 Layout</b> .....	34
8.3 Recommended Operating Conditions.....	6	12.1 Layout Guidelines .....	34
8.4 Thermal Information .....	6	<b>13 Device and Documentation Support</b> .....	35
8.5 Electrical Characteristics.....	7	13.1 Related Links .....	35
8.6 Timing Requirements.....	11	13.2 Community Resources.....	35
8.7 Timing Requirements, XSM T.....	11	13.3 Trademarks .....	35
8.8 Typical Characteristics.....	12	13.4 Electrostatic Discharge Caution.....	35
<b>9 Detailed Description</b> .....	14	<b>14 Mechanical, Packaging, and Orderable Information</b> .....	35
9.1 Overview .....	14	14.1 Mechanical Data .....	35
9.2 Functional Block Diagram .....	14		
9.3 Feature Description.....	14		

## 5 Revision History

NOTE: Page numbers for previous revisions may differ from page numbers in the current version.

Changes from Revision B (January 2015) to Revision C	Page
• Changed the device number from "PCM510x" to "PCM510xA" in the <i>Simplified System Diagram</i> .....	1
• Changed typical performance table to reflect part differences accurately .....	4
• Changed "Storage temperatures, T <sub>stg</sub> " to "Operating junction temperature range at –40°C to 130°C" .....	6
• Changed "Storage temperature (Q1 devices) –40°C to 125°C" to "Storage temperatures, T <sub>stg</sub> –65°C to 150°C" .....	6
• Changed the stereo line output load resistance MIN value in the <i>Recommended Operating Conditions</i> from "2 kΩ" to "1 kΩ".....	6
• Changed the operating junction temperature range in the <i>Recommended Operating Conditions</i> from "MIN = –25°C MAX = 85°C" to "MIN = –40°C MAX = 130°C".....	6
• Added "Q1 Automotive grade devices..." and "Consumer grade (non-Q1) devices..." to the condition statement in the <i>Electrical Characteristics</i> .....	7
• Added "Q1 Automotive grade devices..." and "Consumer grade (non-Q1) devices..." to the condition statement in the <i>Typical Characteristics</i> graphs section. ....	12
• Changed "MCK" to "SCK" at the PLL Clock in the <i>Functional Block Diagram</i> .....	14
• Added label "Mute Circuit" and ground symbols to pins DEMP and FMT in <i>Figure 33</i> .....	26

Changes from Revision A (September 2012) to Revision B	Page
• Added <i>ESD Rating</i> table, <i>Detailed Description</i> section, <i>Application and Implementation</i> section, <i>Power Supply Recommendations</i> section, <i>Device and Documentation Support</i> section, and <i>Mechanical, Packaging, and Orderable Information</i> .....	1
• Added items to show 1.8 V DVDD capability .....	1
• Changed the <i>Features</i> list. ....	1
• Changed "Operating temperature range " to "Operating junction temperature range" .....	6
• Deleted redundant PLL specification in the <i>Recommended Operating Conditions</i> .....	6
• Deleted "Intelligent clock error..." and "...for pop-free performance.".....	14

---

• Clarified clock generation explanation.....	24
• Clarified external SCK discussion. ....	25
• Deleted "The PCM510xA disables the internal PLL when an external SCK is supplied." .....	25

---

<b>Changes from Original (May 2012) to Revision A</b>	<b>Page</b>
• Changed layout of first two pages .....	1
• Changed "VOOUT = -1 dB" to "THD+N at -1 dBFS" in in the <i>Dynamic Performance</i> section of the <a href="#">Electrical Characteristics</a> .....	8
• Changed reference to correct footnote.....	10
• Changed $t_{SCKH}$ and $t_{SCKL}$ values to 9ns.....	11
• Removed 48kHz sample rate with PLL-generated clock.....	25

---

## 6 Device Comparison

### Differences Between PCM510xA Devices

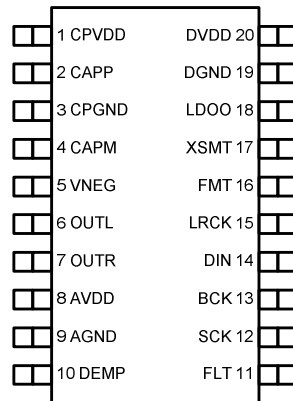
PART NUMBER	DYNAMIC RANGE	SNR	THD
PCM5102A	112dB	112dB	–93 dB
PCM5101A	106 dB	106 dB	–92 dB
PCM5100A	100 dB	100 dB	–90 dB

### Typical Performance (3.3 V Power Supply)

PARAMETER	PCM5102 / PCM5101 / PCM5100
SNR	112 / 106 / 100 dB
Dynamic range	112 / 106 / 100 dB
THD+N at –1 dBFS	–93/ –92 / –90 dB
Full-scale single-ended output	2.1 V <sub>RMS</sub> (GND center)
Normal 8x oversampling digital filter latency	20t <sub>S</sub>
Low latency 8x oversampling digital filter latency	3.5t <sub>S</sub>
Sampling frequency	8 kHz to 384 kHz
System clock multiples (f <sub>SCK</sub> ): 64, 128, 192, 256, 384, 512, 768, 1024, 1152, 1536, 2048, 3072	Up to 50 MHz

## 7 Pin Configuration and Functions

**PW 20-Pin Package  
(Top View)**



**Pin Functions**

PIN		TYPE	DESCRIPTION
NAME	NO.		
AGND	9	—	Analog ground
AVDD	8	P	Analog power supply, 3.3 V
BCK	13	I	Audio data bit clock input <sup>(1)</sup>
CAPM	4	O	Charge pump flying capacitor terminal for negative rail
CAPP	2	O	Charge pump flying capacitor terminal for positive rail
CPGND	3	—	Charge pump ground
CPVDD	1	P	Charge pump power supply, 3.3 V
DEMP	10	I	De-emphasis control for 44.1-kHz sampling rate <sup>(1)</sup> : Off (Low) / On (High)
DGND	19	—	Digital ground
DIN	14	I	Audio data input <sup>(1)</sup>
DVDD	20	P	Digital power supply, 1.8 V or 3.3 V
FLT	11	I	Filter select : Normal latency (Low) / Low latency (High)
FMT	16	I	Audio format selection : I <sup>2</sup> S (Low) / Left-justified (High)
LDOO	18	P	Internal logic supply rail terminal for decoupling, or external 1.8 V supply terminal
LRCK	15	I	Audio data word clock input <sup>(1)</sup>
OUTL	6	O	Analog output from DAC left channel
OUTR	7	O	Analog output from DAC right channel
SCK	12	I	System clock input <sup>(1)</sup>
VNEG	5	O	Negative charge pump rail terminal for decoupling, –3.3 V
XSMT	17	I	Soft mute control <sup>(1)</sup> : Soft mute (Low) / soft un-mute (High)

(1) Failsafe LVCMOS Schmitt trigger input

## 8 Specifications

### 8.1 Absolute Maximum Ratings

over operating free-air temperature range (unless otherwise noted)

		MIN	MAX	UNIT
Supply voltage	AVDD, CPVDD, DVDD	-0.3	3.9	V
	LDO with DVDD at 1.8 V	-0.3	2.25	
Digital input voltage	DVDD at 1.8 V	-0.3	2.25	
	DVDD at 3.3 V	-0.3	3.9	
Analog input voltage		-0.3	3.9	
Operating junction temperature range		-40	130	
Storage temperature, T <sub>stg</sub>		-65	150	°C

### 8.2 ESD Ratings

		VALUE	UNIT
V <sub>(ESD)</sub> Electrostatic discharge	Human-body model (HBM), per ANSI/ESDA/JEDEC JS-001 <sup>(1)</sup>	±2000	V
	Charged-device model (CDM), per JEDEC specification JESD22-C101 <sup>(2)</sup>	±750	

(1) JEDEC document JEP155 states that 500-V HBM allows safe manufacturing with a standard ESD control process.

(2) JEDEC document JEP157 states that 250-V CDM allows safe manufacturing with a standard ESD control process.

### 8.3 Recommended Operating Conditions

				MIN	NOM	MAX	UNIT
AVDD	Analog power supply voltage range	Referenced to AGND <sup>(1)</sup>	VCOM mode	3	3.3	3.46	V
			VREF mode	3.2	3.3	3.46	
DVDD	Digital power supply voltage range	Referenced to DGND <sup>(1)</sup>	1.8 V DVDD	1.65	1.8	1.95	V
			3.3 V DVDD	3.1	3.3	3.46	
CPVDD	Charge pump supply voltage range	Referenced to CPGND <sup>(1)</sup>		3.1	3.3	3.46	V
MCLK	Master clock frequency					50	MHz
LOL, LOR	Stereo line output load resistance			1	10		kΩ
C <sub>LOUT</sub>	Digital output load capacitance				10		pF
T <sub>J</sub>	Operating junction temperature range			-40		130	°C

(1) All grounds on board are tied together; they must not differ in voltage by more than 0.2 V max, for any combination of ground signals.

### 8.4 Thermal Information

THERMAL METRIC <sup>(1)</sup>		PW	UNIT
		20 PINS	
R <sub>θJA</sub>	Junction-to-ambient thermal resistance	91.2	°C/W
R <sub>θJC(top)</sub>	Junction-to-case (top) thermal resistance	25.3	
R <sub>θJB</sub>	Junction-to-board thermal resistance	42	
ψ <sub>JT</sub>	Junction-to-top characterization parameter	1	
ψ <sub>JB</sub>	Junction-to-board characterization parameter	41.5	
R <sub>θJC(bot)</sub>	Junction-to-case (bottom) thermal resistance	—	

(1) For more information about traditional and new thermal metrics, see the *IC Package Thermal Metrics* application report, [SPRA953](#).

## 8.5 Electrical Characteristics

Q1 Automotive grade devices are specified for  $T_A = -40^{\circ}\text{C}$  to  $125^{\circ}\text{C}$ . Consumer grade (non-Q1) devices are specified at  $T_A = 25^{\circ}\text{C}$ . All devices in the family are characterized with  $AVDD = CPVDD = DVD = 3.3\text{ V}$ ,  $f_S = 48\text{ kHz}$ , system clock =  $512 f_S$  and 24-bit data unless otherwise noted.

PARAMETER		TEST CONDITIONS	MIN	TYP	MAX	UNIT
	Resolution		16	24	32	Bits
<b>Data Format (PCM Mode)</b>						
	Audio data bit length		16	24	32	Bits
$f_S^{(1)}$	Sampling frequency		8		384	kHz
$f_{SCK}$	System clock frequency	Clock multiples: 64, 128, 192, 256, 384, 512, 768, 1024, 1152, 1536, 2048, or 3072			50	MHz
<b>Digital Input/Output for non-Q1 Consumer Grade Devices</b>						
Logic family: 3.3 V LVCMOS compatible						
$V_{IH}$	Input logic level		$0.7 \times DV_{DD}$			V
$V_{IL}$				$0.3 \times DV_{DD}$		
$I_{IH}$	Input logic current	$V_{IN} = V_{DD}$			10	$\mu\text{A}$
$I_{IL}$		$V_{IN} = 0\text{ V}$			-10	
$V_{OH}$	Output logic level	$I_{OH} = -4\text{ mA}$	$0.8 \times DV_{DD}$			V
$V_{OL}$		$I_{OL} = 4\text{ mA}$			$0.22 \times DV_{DD}$	
Logic family 1.8 V LVCMOS compatible						
$V_{IH}$	Input logic level		$0.7 \times DV_{DD}$			V
$V_{IL}$				$0.3 \times DV_{DD}$		
$I_{IH}$	Input logic current	$V_{IN} = V_{DD}$			10	$\mu\text{A}$
$I_{IL}$		$V_{IN} = 0\text{ V}$			-10	
$V_{OH}$	Output logic level	$I_{OH} = -2\text{ mA}$	$0.8 \times DV_{DD}$			V
$V_{OL}$		$I_{OL} = 2\text{ mA}$			$0.22 \times DV_{DD}$	
<b>Digital Input/Output for Q1 Automotive Grade Devices</b>						
Logic family: 3.3 V LVCMOS compatible						
$V_{IH}$	Input logic level		$0.7 \times DV_{DD}$			V
$V_{IL}$				$0.3 \times DV_{DD}$		
$I_{IH}$	Input logic current	$V_{IN} = V_{DD}$			10	$\mu\text{A}$
$I_{IL}$		$V_{IN} = 0\text{ V}$			-10	
$V_{OH}$	Output logic level	$I_{OH} = -4\text{ mA}$	$0.8 \times DV_{DD}$			V
$V_{OL}$		$I_{OL} = 4\text{ mA}$			$0.22 \times DV_{DD}$	
Logic family 1.8 V LVCMOS compatible						
$V_{IH}$	Input logic level		$0.7 \times DV_{DD}$			V
$V_{IL}$				$0.3 \times DV_{DD}$		
$I_{IH}$	Input logic current	$V_{IN} = V_{DD}$			10	$\mu\text{A}$
$I_{IL}$		$V_{IN} = 0\text{ V}$			-10	
$V_{OH}$	Output logic level	$I_{OH} = -2\text{ mA}$	$0.8 \times DV_{DD}$			V
$V_{OL}$		$I_{OL} = 2\text{ mA}$			$0.3 \times DV_{DD}$	

(1) One sample time is defined as the reciprocal of the sampling frequency.  $1t_S = 1/f_S$

## Electrical Characteristics (continued)

Q1 Automotive grade devices are specified for  $T_A = -40^\circ\text{C}$  to  $125^\circ\text{C}$ . Consumer grade (non-Q1) devices are specified at  $T_A = 25^\circ\text{C}$ . All devices in the family are characterized with  $AVDD = CPVDD = DVD = 3.3\text{ V}$ ,  $f_S = 48\text{ kHz}$ , system clock =  $512 f_S$  and 24-bit data unless otherwise noted.

PARAMETER		TEST CONDITIONS		MIN	TYP	MAX	UNIT
<b>Dynamic Performance (PCM Mode)<sup>(2)(3)</sup></b>							
THD+N at $-1\text{ dBFS}^{(3)}$	$f_S = 48\text{ kHz}$	PCM5102A			-93	-83	dB
		PCM5101A			-92	-82	
		PCM5100A			-90	-80	
	$f_S = 96\text{ kHz and }192\text{ kHz}$	PCM5102A			-93		
		PCM5101A			-92		
		PCM5100A			-90		
Dynamic range <sup>(3)</sup>	EIAJ, A-weighted, $f_S = 48\text{ kHz}$	PCM5102A		106	112		
		PCM5101A		100	106		
		PCM5100A		95	100		
	EIAJ, A-weighted, $f_S = 96\text{ kHz and }192\text{ kHz}$	PCM5102A				112	
		PCM5101A				106	
		PCM5100A				100	
Signal-to-noise ratio <sup>(3)</sup>	EIAJ, A-weighted, $f_S = 48\text{ kHz}$	PCM5102A				112	
		PCM5101A				106	
		PCM5100A				100	
	EIAJ, A-weighted, $f_S = 96\text{ kHz and }192\text{ kHz}$	PCM5102A					112
		PCM5101A					106
		PCM5100A					100
Signal to noise ratio with analog mute <sup>(3)(4)</sup>	EIAJ, A-weighted, $f_S = 48\text{ kHz}$			113	123		
	EIAJ, A-weighted, $f_S = 96\text{ kHz and }192\text{ kHz}$				123		
Channel separation	$f_S = 48\text{ kHz}$	PCM5102A		100	109		
		PCM5101A		95	103		
		PCM5100A		90	97		
	$f_S = 96\text{ kHz}$	PCM5102A				109	
		PCM5101A				103	
		PCM5100A				97	
	$f_S = 192\text{ kHz}$	PCM5102A				109	
		PCM5101A				103	
		PCM5100A				97	

- (2) Filter condition: THD+N: 20-Hz HPF, 20-kHz AES17 LPF; Dynamic range: 20-Hz HPF, 20-kHz AES17 LPF; A-weighted signal-to-noise ratio: 20-Hz HPF, 20-kHz AES17 LPF; A-weighted channel separation: 20-Hz HPF, 20-kHz AES17 LPF. Analog performance specifications are measured using the System Two Cascade™ audio measurement system by Audio Precision™ in the RMS mode.
- (3) Output load is 10 k $\Omega$ , with 470- $\Omega$  output resistor and a 2.2-nF shunt capacitor (see recommended output filter).
- (4) Assert XSMT or both L-ch and R-ch PCM data are Bipolar Zero.

## Electrical Characteristics (continued)

Q1 Automotive grade devices are specified for  $T_A = -40^{\circ}\text{C}$  to  $125^{\circ}\text{C}$ . Consumer grade (non-Q1) devices are specified at  $T_A = 25^{\circ}\text{C}$ . All devices in the family are characterized with  $AV_{DD} = CPV_{DD} = DVD = 3.3\text{ V}$ ,  $f_S = 48\text{ kHz}$ , system clock =  $512 f_S$  and 24-bit data unless otherwise noted.

PARAMETER	TEST CONDITIONS	MIN	TYP	MAX	UNIT	
<b>Analog Output</b>						
Output voltage			2.1		$V_{RMS}$	
Gain error		-6	$\pm 2$	6	% of FSR	
Gain error on Q1 Automotive Grade Devices		-7	$\pm 2$	7	% of FSR	
Gain mismatch, channel-to-channel		-6	$\pm 2$	6	% of FSR	
Gain mismatch, channel-to-channel on Q1 Devices		-6	$\pm 2$	6	% of FSR	
PCM5100/1 bipolar zero error	At bipolar zero	-5	$\pm 1$	5	mV	
PCM5102 Bipolar zero error	At bipolar zero	-2	$\pm 1$	2	mV	
Load impedance		1			k $\Omega$	
<b>Filter Characteristics–1: Normal</b>						
Pass band				$0.45f_S$		
Stop band		$0.55f_S$				
Stop band attenuation		-60			dB	
Pass-band ripple				$\pm 0.02$		
Delay time			$20t_S$		s	
<b>Filter Characteristics–2: Low Latency</b>						
Pass band				$0.47f_S$		
Stop band		$0.55f_S$				
Stop band attenuation		-52			dB	
Pass-band ripple				$\pm 0.0001$		
Delay time			$3.5t_S$		s	
<b>Power Supply Requirements</b>						
$DV_{DD}$	Digital supply voltage	Target $DV_{DD} = 1.8\text{ V}$	1.65	1.8	1.95	VDC
$DV_{DD}$	Digital supply voltage	Target $DV_{DD} = 3.3\text{ V}$	3	3.3	3.6	VDC
$AV_{DD}$	Analog supply voltage		3	3.3	3.6	
$CPV_{DD}$	Charge-pump supply voltage		3	3.3	3.6	
$I_{DD}$	$DV_{DD}$ supply current at $1.8\text{ V}^{(5)}$	$f_S = 48\text{ kHz}$		7		mA
		$f_S = 96\text{ kHz}$		8		
		$f_S = 192\text{ kHz}$		9		
$I_{DD}$	$DV_{DD}$ supply current at $1.8\text{ V}^{(6)}$	$f_S = 48\text{ kHz}$		7		mA
		$f_S = 96\text{ kHz}$		8		
		$f_S = 192\text{ kHz}$		9		
$I_{DD}$	$DV_{DD}$ supply current at $1.8\text{ V}^{(7)}$	Standby		0.3		mA
$I_{DD}$	$DV_{DD}$ supply current at $3.3\text{ V}^{(5)}$	$f_S = 48\text{ kHz}$		7	12	mA
		$f_S = 96\text{ kHz}$		8		
		$f_S = 192\text{ kHz}$		9		
$I_{DD}$	$DV_{DD}$ supply current at $3.3\text{ V}^{(6)}$	$f_S = 48\text{ kHz}$		8	13	mA
		$f_S = 96\text{ kHz}$		9		
		$f_S = 192\text{ kHz}$		10		
$I_{DD}$	$DV_{DD}$ supply current at $3.3\text{ V}^{(7)}$	Standby		0.5	0.8	mA
$I_{DD}$	$AV_{DD} / CPV_{DD}$ supply current <sup>(5)</sup>	$f_S = 48\text{ kHz}$		11	16	mA
		$f_S = 96\text{ kHz}$		11		
		$f_S = 192\text{ kHz}$		11		

(5) Input is Bipolar Zero data.

(6) Input is 1 kHz -1 dBFS data.

(7) Power Down Mode

## Electrical Characteristics (continued)

Q1 Automotive grade devices are specified for  $T_A = -40^{\circ}\text{C}$  to  $125^{\circ}\text{C}$ . Consumer grade (non-Q1) devices are specified at  $T_A = 25^{\circ}\text{C}$ . All devices in the family are characterized with  $AV_{DD} = CPV_{DD} = DVD = 3.3\text{ V}$ ,  $f_S = 48\text{ kHz}$ , system clock =  $512 f_S$  and 24-bit data unless otherwise noted.

PARAMETER		TEST CONDITIONS	MIN	TYP	MAX	UNIT
$I_{DD}$	$AV_{DD} / CPV_{DD}$ supply current <sup>(6)</sup>	$f_S = 48\text{ kHz}$		22	32	mA
		$f_S = 96\text{ kHz}$		22		
		$f_S = 192\text{ kHz}$		22		
$I_{DD}$	$AV_{DD} / CPV_{DD}$ supply current <sup>(7)</sup>	$f_S = \text{n/a}$		0.2	0.4	mA
	Power dissipation, $DV_{DD} = 1.8\text{ V}$ <sup>(5)</sup>	$f_S = 48\text{ kHz}$		49	185	mW
		$f_S = 96\text{ kHz}$		51		
		$f_S = 192\text{ kHz}$		53		
	Power dissipation, $DV_{DD} = 1.8\text{ V}$ <sup>(6)</sup>	$f_S = 48\text{ kHz}$		85	187	mW
		$f_S = 96\text{ kHz}$		87		
		$f_S = 192\text{ kHz}$		89		
	Power dissipation, $DV_{DD} = 1.8\text{ V}$ <sup>(7)</sup>	$f_S = \text{n/a}$ (Power Down Mode)		1		mW
	Power dissipation, $DV_{DD} = 3.3\text{ V}$ <sup>(5)</sup>	$f_S = 48\text{ kHz}$		60	92.4	mW
		$f_S = 96\text{ kHz}$		63		
		$f_S = 192\text{ kHz}$		66		
	Power dissipation, $DV_{DD} = 3.3\text{ V}$ <sup>(6)</sup>	$f_S = 48\text{ kHz}$		99	148.5	mW
		$f_S = 96\text{ kHz}$		102		
		$f_S = 192\text{ kHz}$		106		
	Power dissipation, $DV_{DD} = 3.3\text{ V}$ <sup>(7)</sup>	$f_S = \text{n/a}$ (Power Down Mode)		2	4	mW

## 8.6 Timing Requirements

Figure 1 shows the timing requirements for the system clock input. For optimal performance, use a clock source with low phase jitter and noise.

		MIN	TYP	MAX	UNIT
$t_{SCY}$	System clock pulse cycle time	20		1000	ns
$t_{SCKH}$	System clock pulse width, High	DVDD = 1.8 V	8		ns
		DVDD = 3.3 V	9		
$t_{SCKL}$	System clock pulse width, Low	DVDD = 1.8 V	8		ns
		DVDD = 3.3 V	9		

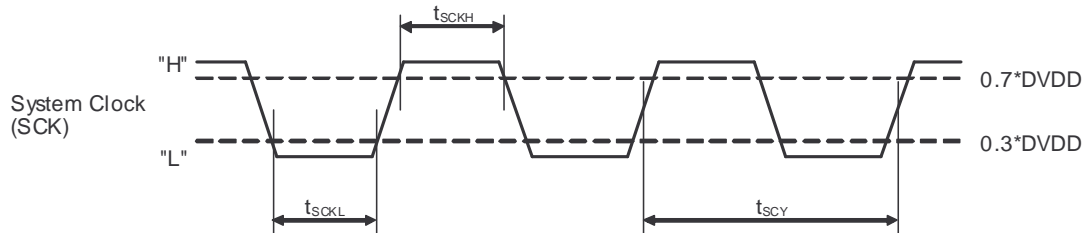


Figure 1. Timing Requirements for SCK Input

## 8.7 Timing Requirements, XSMT

		MIN	TYP	MAX	UNIT
$t_r$	Rise time			20	ns
$t_f$	Fall time			20	ns

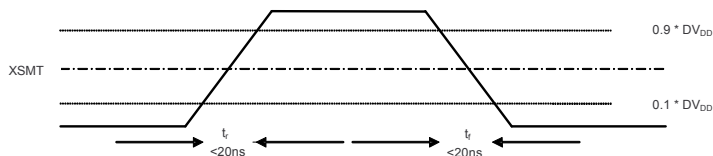


Figure 2. XSMT Timing for Soft Mute and Soft Un-Mute

## 8.8 Typical Characteristics

Q1 Automotive grade devices are specified for  $T_A = -40^\circ\text{C}$  to  $125^\circ\text{C}$ . Consumer grade (non-Q1) devices are specified at  $T_A = 25^\circ\text{C}$ ,  $AV_{DD} = CPV_{DD} = DV_{DD} = 3.3\text{ V}$ ,  $f_S = 48\text{ kHz}$ , system clock =  $512 f_S$  and 24-bit data unless otherwise noted.

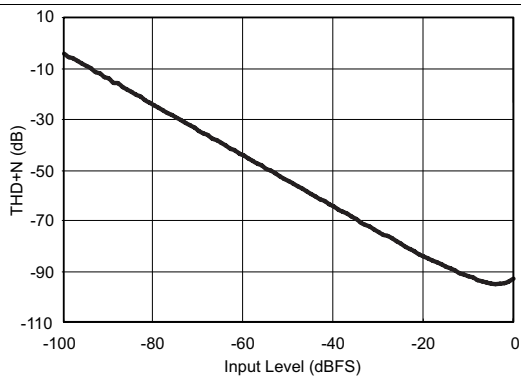


Figure 3. PCM5101 THD+N versus Input Level

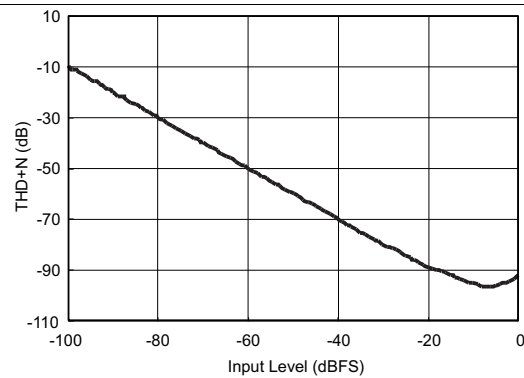


Figure 4. PCM5102 THD+N versus Input Level

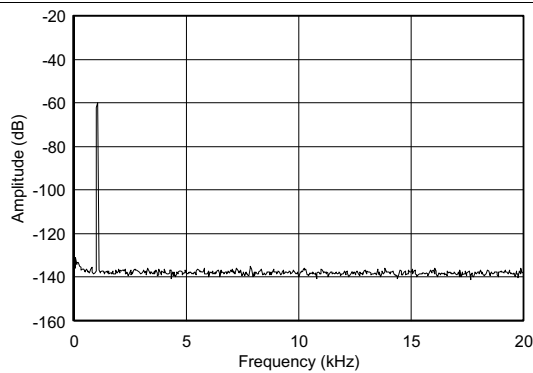


Figure 5. PCM5101 FFT Plot using a 1-kHz tone (-60dBFS) from DC to 20 kHz

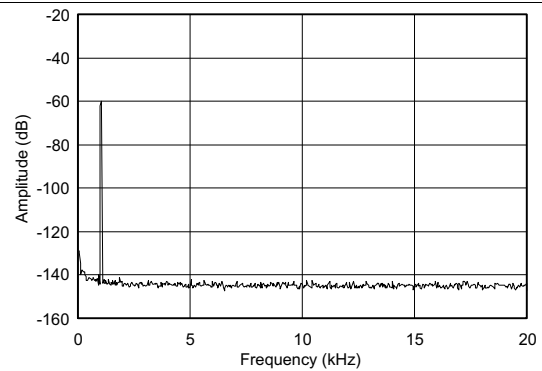


Figure 6. PCM5102 FFT Plot using a 1-kHz tone (-60dBFS) from DC to 20 kHz

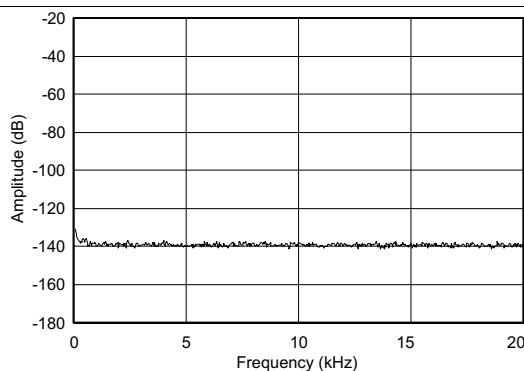


Figure 7. PCM5101 FFT Plot At Bipolar Zero Data (BPZ)

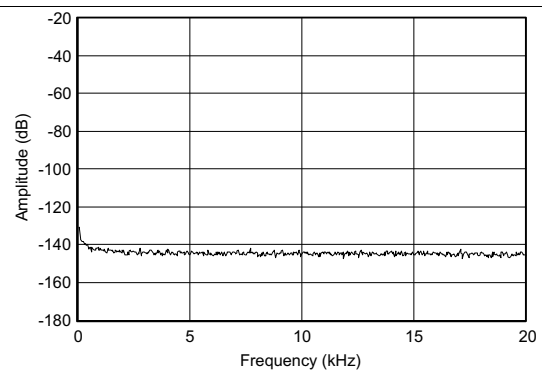
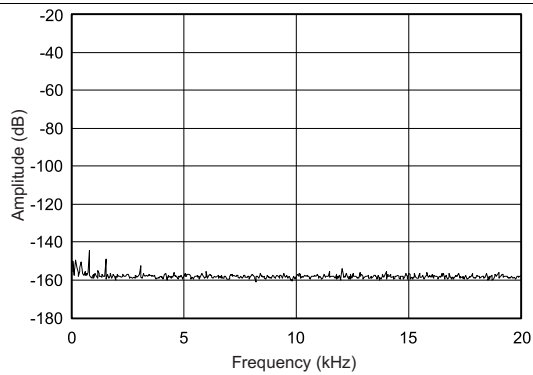


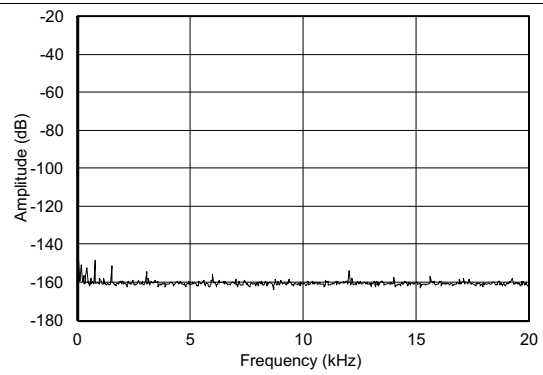
Figure 8. PCM5102 FFT Plot at BPZ

**Typical Characteristics (continued)**

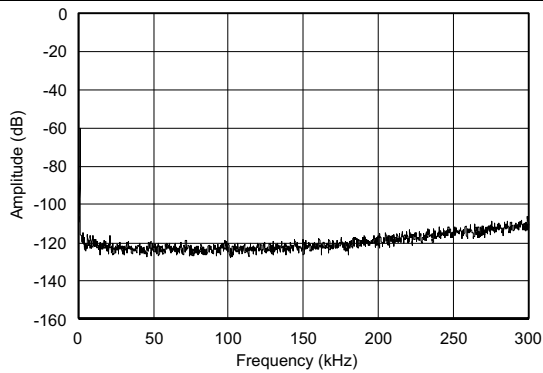
Q1 Automotive grade devices are specified for  $T_A = -40^{\circ}\text{C}$  to  $125^{\circ}\text{C}$ . Consumer grade (non-Q1) devices are specified at  $T_A = 25^{\circ}\text{C}$ ,  $AV_{DD} = CPV_{DD} = DV_{DD} = 3.3\text{ V}$ ,  $f_S = 48\text{ kHz}$ , system clock =  $512 f_S$  and 24-bit data unless otherwise noted.



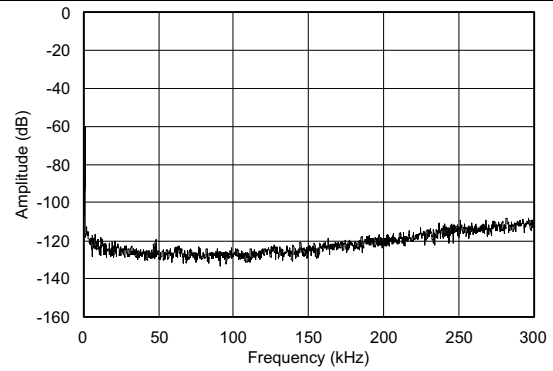
**Figure 9. PCM5101 FFT Plot at BPZ With Analog Mute (AMUTE)**



**Figure 10. PCM5102 FFT Plot at BPZ With Analog Mute (AMUTE)**



**Figure 11. PCM5101 FFT Plot using a 1-kHz tone (-60dBFS) from DC to 300 kHz**



**Figure 12. PCM5102 FFT Plot using a 1-kHz tone (-60dBFS) from DC to 300 kHz**

## 9 Detailed Description

### 9.1 Overview

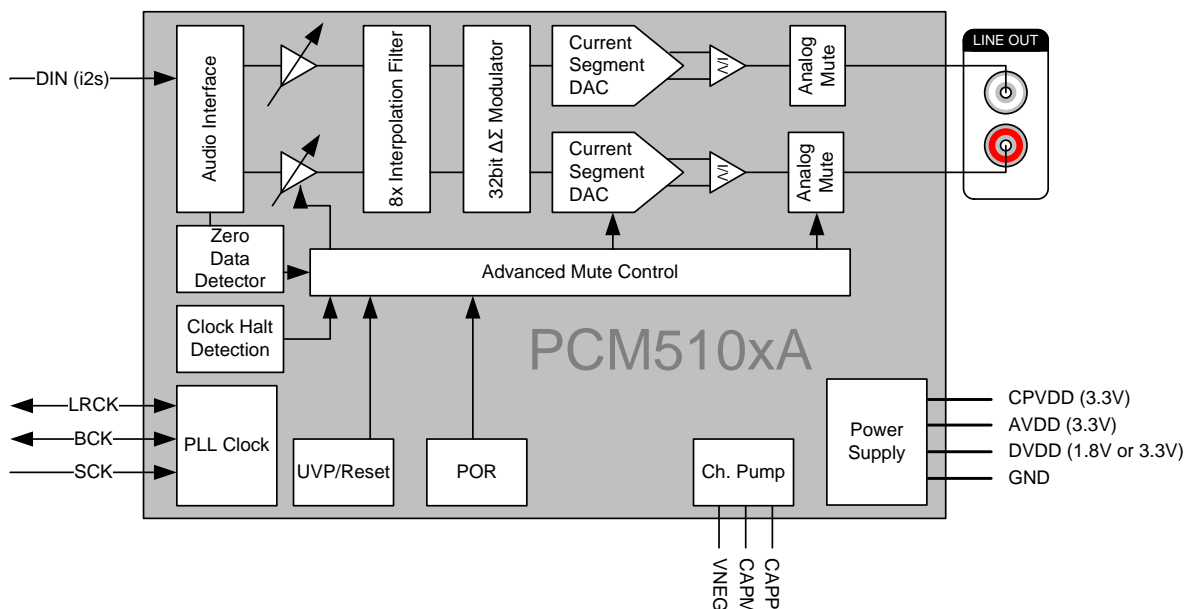
The integrated PLL on the device provided adds the flexibility to remove the system clock (commonly known as master clock), allowing a 3-wire I<sup>2</sup>S connection and reducing system EMI.

Powersense undervoltage protection utilizes a two-level mute system. Upon clock error or system power failure, the device digitally attenuates the data (or last known good data) and then mutes the analog circuit.

Compared with existing DAC technology, the PCM510xA devices offer up to 20 dB lower out-of-band noise, reducing EMI and aliasing in downstream amplifiers/ADCs. (from traditional 100-kHz OBN measurements to 3 MHz).

The PCM510xA devices accept industry-standard audio data formats with 16- to 32-bit data. Sample rates up to 384 kHz are supported.

### 9.2 Functional Block Diagram



### 9.3 Feature Description

#### 9.3.1 Terminology

Sampling frequency is symbolized by  $f_s$ . Full scale is symbolized by FS. Sample time as a unit is symbolized by  $t_s$ .

#### 9.3.2 Audio Data Interface

##### 9.3.2.1 Audio Serial Interface

The audio interface port is a 3-wire serial port with the signals LRCK, BCK, and DIN. BCK is the serial audio bit clock, used to clock the serial data present on DIN into the serial shift register of the audio interface. Serial data is clocked into the PCM510xA on the rising edge of BCK. LRCK is the serial audio left/right word clock. LRCK polarity for left/right is given by the format selected.

Feature Description (continued)

Table 2. PCM510xA Audio Data Formats, Bit Depths and Clock Rates

CONTROL MODE	FORMAT	DATA BITS	MAX LRCK FREQUENCY [f <sub>s</sub> ]	SCK RATE [x f <sub>s</sub> ]	BCK RATE [x f <sub>s</sub> ]
Hardware Control	I <sup>2</sup> S/LJ	32, 24, 20, 16	Up to 192 kHz	128 – 3072 (≤50MHz)	64, 48, 32
			384 kHz	64, 128	64, 48, 32

The PCM510xA requires the synchronization of LRCK and system clock, but does not need a specific phase relation between LRCK and system clock.

If the relationship between LRCK and system clock changes more than ±5 SCK, internal operation (using an onchip oscillator) is initialized within one sample period and analog outputs are forced to the bipolar zero level until resynchronization between LRCK and system clock is completed.

If the relationship between LRCK and BCK are invalid more than 4 LRCK periods, internal operation (using an onchip oscillator) is initialized within one sample period and analog outputs are forced to the bipolar zero level until resynchronization between LRCK and BCK is completed.

9.3.2.2 PCM Audio Data Formats

The PCM510xA supports industry-standard audio data formats, including standard I<sup>2</sup>S and left-justified. Data formats are selected using the FMT (pin 16), Low for I<sup>2</sup>S, and High for Left-justified. All formats require binary two's-complement, MSB-first audio data; up to 32-bit audio data is accepted.

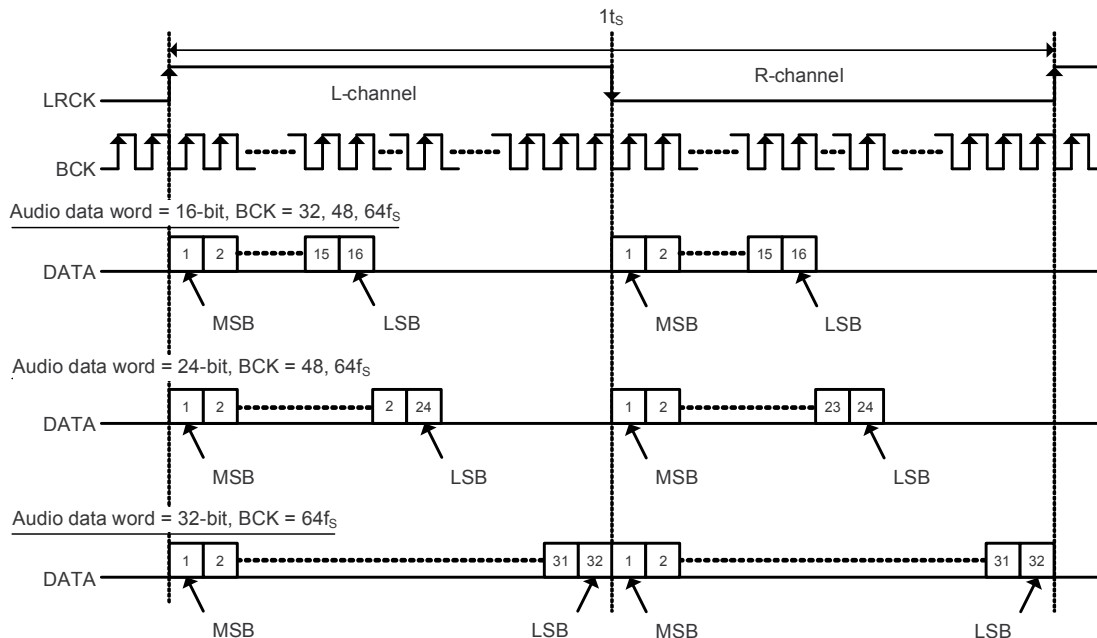
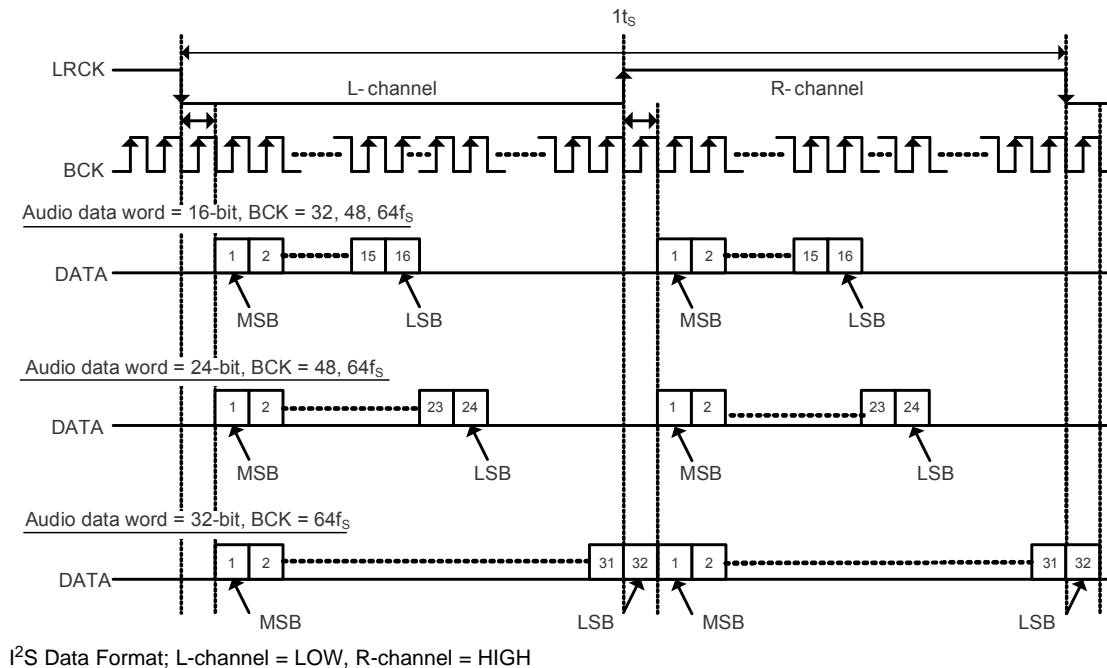


Figure 13. Left Justified Audio Data Format



**Figure 14. I<sup>2</sup>S Audio Data Format**

### 9.3.2.3 Zero Data Detect

The PCM510xA has a zero-data detect function. When the device detects continuous zero data, it enters a full analog mute condition. The PCM510xA counts zero data over 1024 LRCKs (21ms @ 48kHz) before setting analog mute.

In Hardware mode, the device uses default values. By default, Both L-ch and R-ch have to be zero data for zero data detection to begin the muting process etc.

### 9.3.3 XSMT Pin (Soft Mute / Soft Un-Mute)

An external digital host controls the PCM510xA soft mute function by driving the XSMT pin with a specific minimum rise time ( $t_r$ ) and fall time ( $t_f$ ) for soft mute and soft un-mute. The PCM510xA requires  $t_r$  and  $t_f$  times of less than 20ns. In the majority of applications, this is no problem, however, traces with high capacitance may have issues.

When the XSMT pin is shifted from high to low (3.3 V to 0 V), a soft digital attenuation ramp begins. -1-dB attenuation is then applied every sample time from 0 dBFS to  $-\infty$ . The soft attenuation ramp takes 104 samples.

When the XSMT pin is shifted from low to high (0 V to 3.3 V), a soft digital “un-mute” is started. 1-dB gain steps are applied every sample time from  $-\infty$  to 0 dBFS. The un-mute takes 104 samples.

In systems where XSMT is not required, it can be directly connected to AVDD.

### 9.3.4 Audio Processing

#### 9.3.4.1 Interpolation Filter

The PCM510xA provides two types of interpolation filter. Users can select which filter to use by using the FLT pin (pin 11).

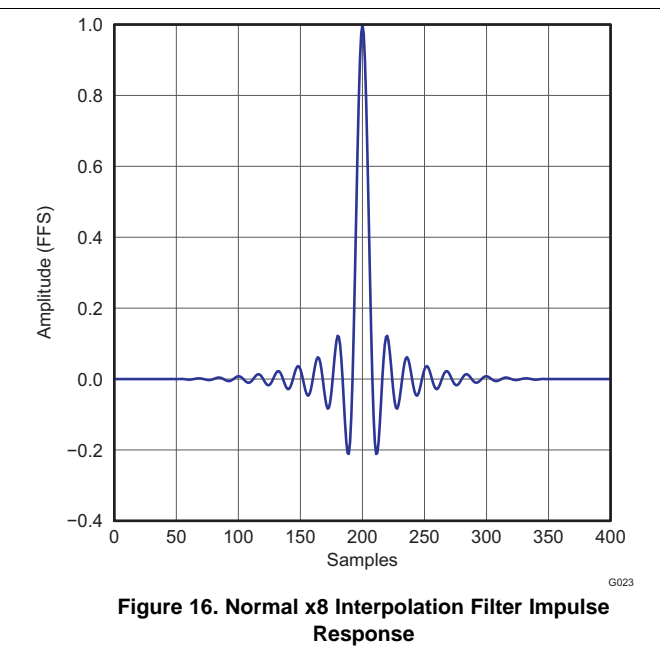
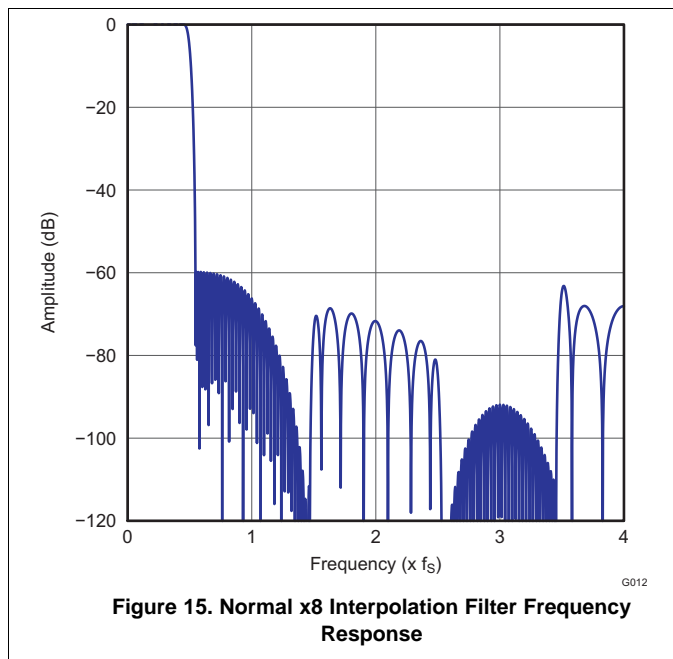
**Table 3. Digital Interpolation Filter Options**

FLT Pin	Description
0	FIR normal x8/x4/x2/x1 interpolation filters
1	IIR low-latency x8/x4/x2/x1 interpolation filters

The normal x8 / x4 / x2 / x1(bypass) interpolation filter is programmed for sample rates from 8 kHz to 384 kHz.

**Table 4. Normal x8 Interpolation Filter**

Parameter	Condition	Value (Typ)	Value (Max)	Units
Filter gain pass band	0 ..... 0.45f <sub>s</sub>		±0.02	dB
Filter gain stop band	0.55f <sub>s</sub> ..... 7.455f <sub>s</sub>	-60		dB
Filter group delay		22t <sub>s</sub>		s



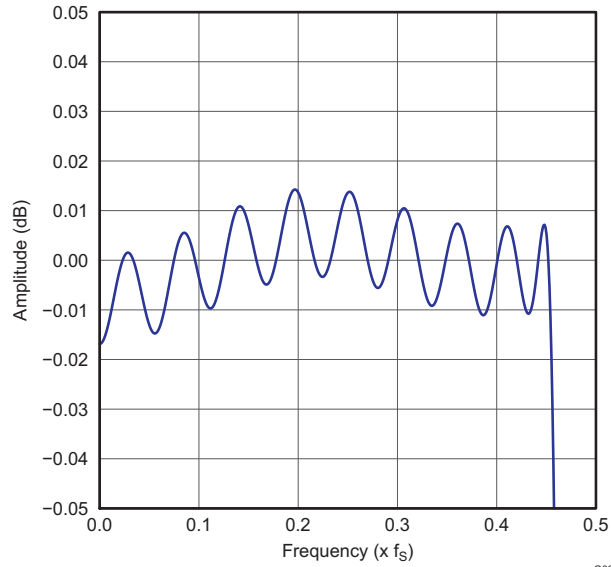
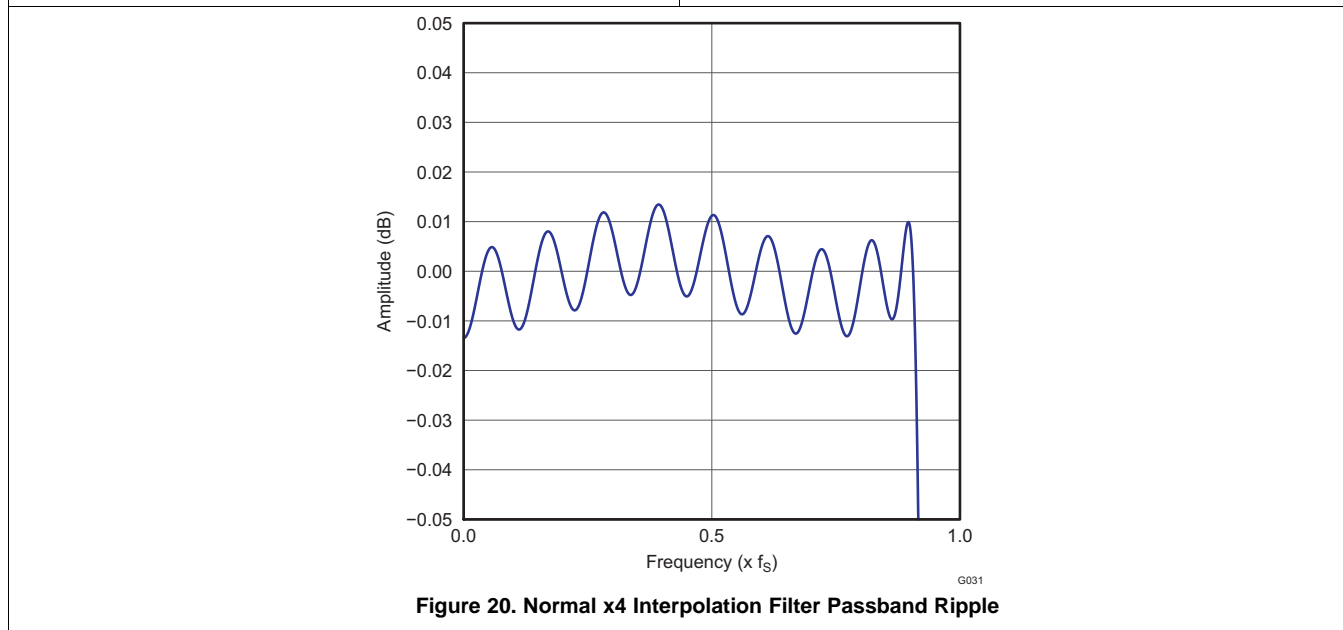
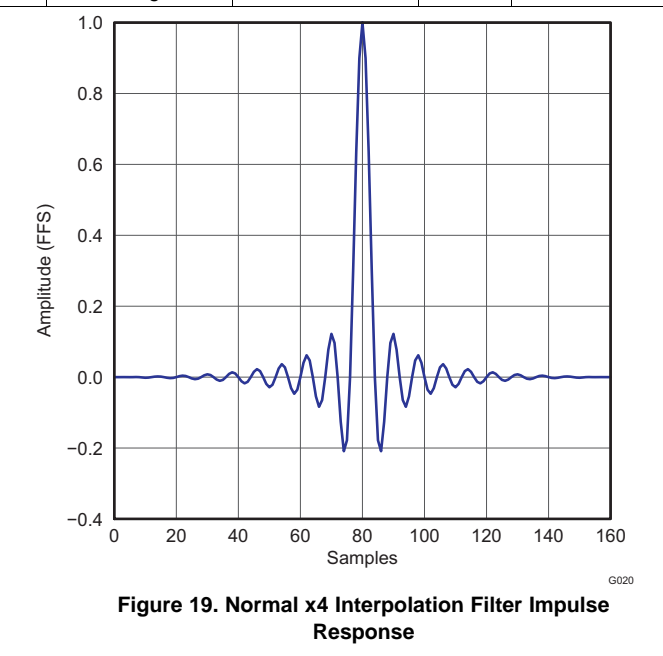
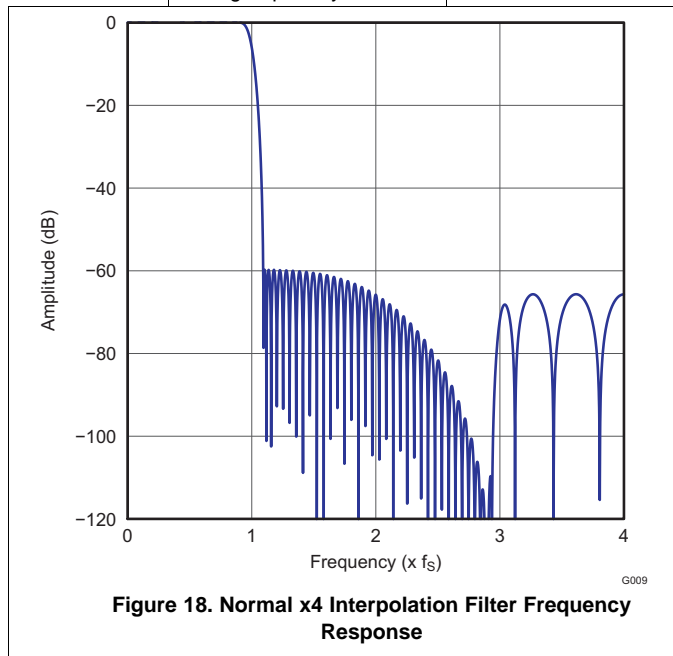


Figure 17. Normal x8 Interpolation Filter Passband Ripple

The normal x4 / x2 / x1 (bypass) interpolation filter is programmed for sample rates from 8 kHz to 384 kHz.

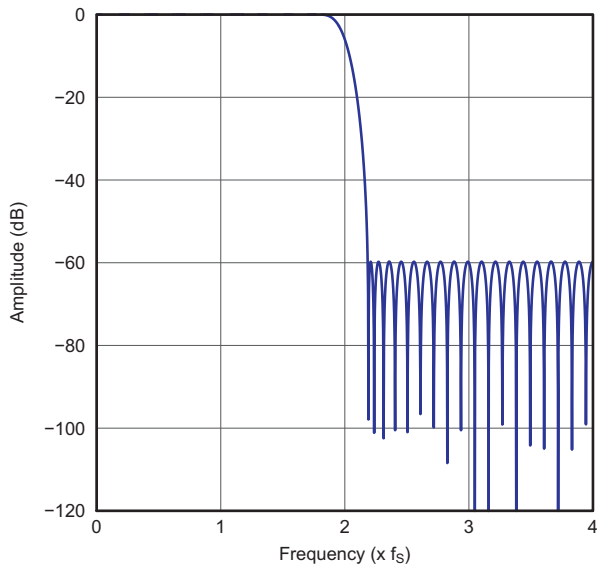
**Table 5. Normal x4 Interpolation Filter**

Parameter	Condition	Value (Typ)	Value (Max)	Units
Filter gain pass band	0 ..... 0.45f <sub>S</sub>		±0.02	dB
Filter gain stop band	0.55f <sub>S</sub> ..... 7.455f <sub>S</sub>	-60		dB
Filter group delay		22t <sub>S</sub>		s

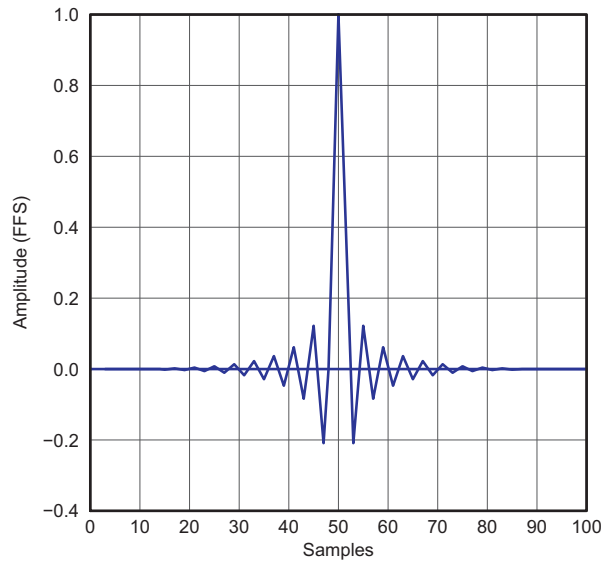


**Table 6. Normal x2 Interpolation Filter**

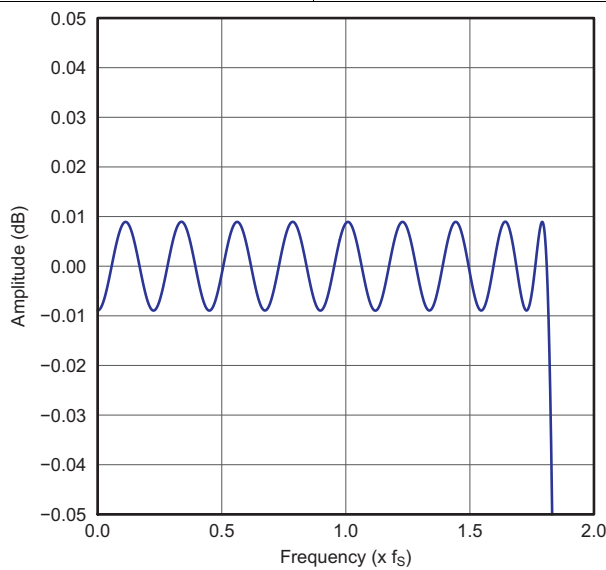
Parameter	Condition	Value (Typ)	Value (Max)	Units
Filter gain pass band	0 ..... 0.45f <sub>S</sub>		±0.02	dB
Filter gain stop band	0.55f <sub>S</sub> ..... 7.455f <sub>S</sub>	-60		dB
Filter group delay		22t <sub>S</sub>		s



**Figure 21. Normal x2 Interpolation Filter Frequency Response**



**Figure 22. Normal x2 Interpolation Filter Impulse Response**

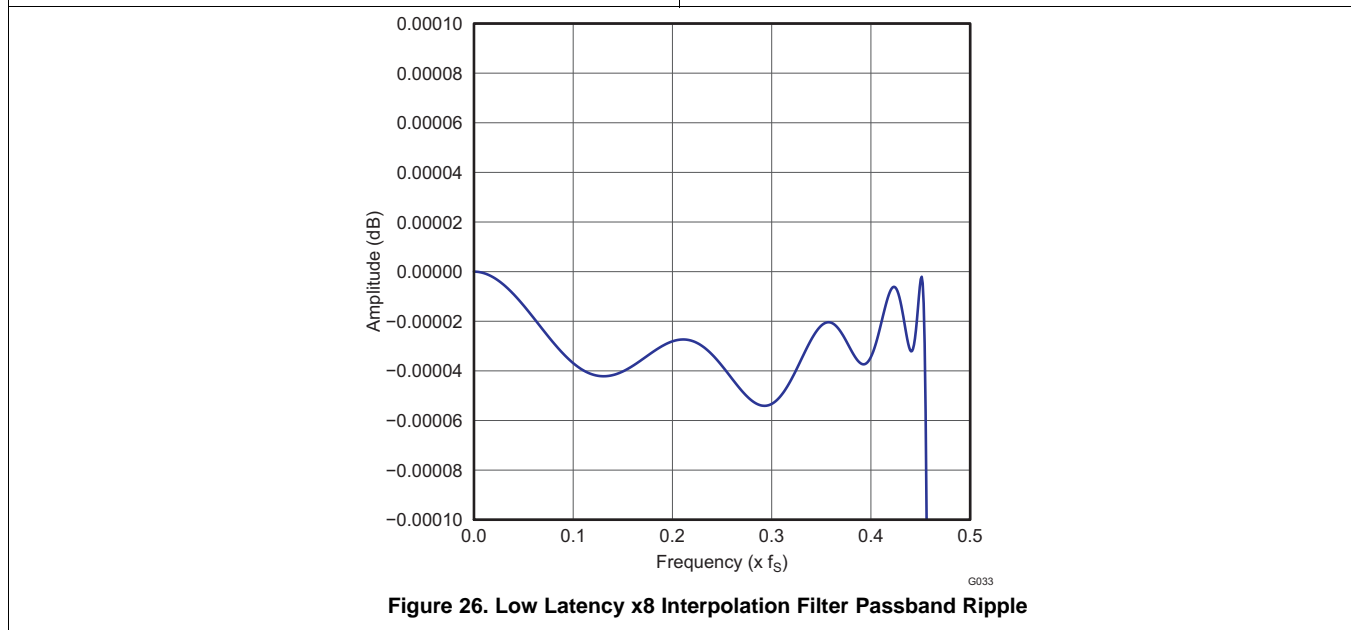
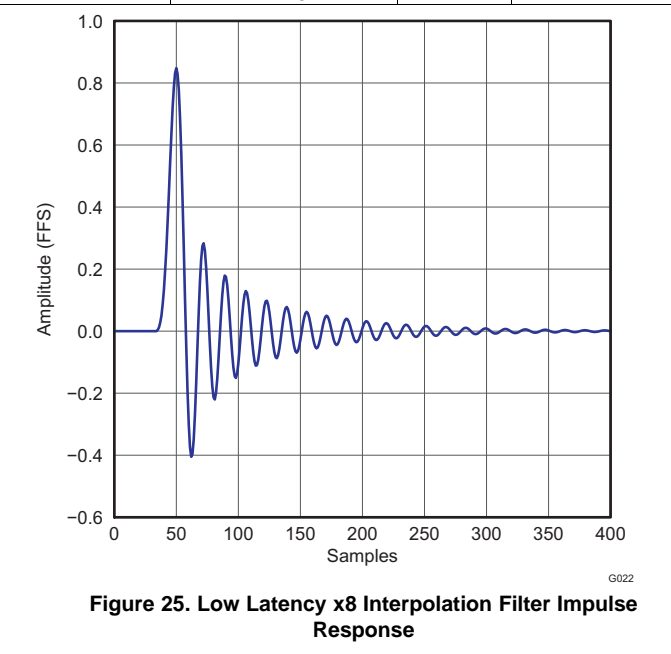
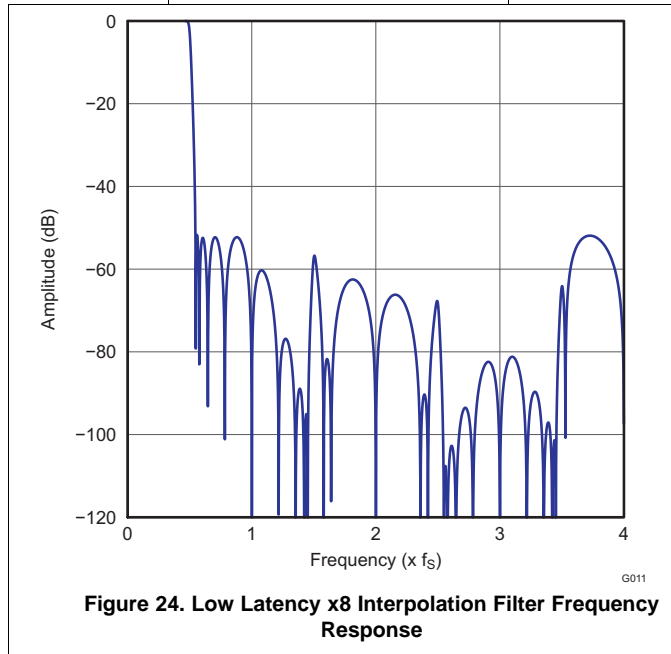


**Figure 23. Normal x2 Interpolation Filter Passband Ripple**

The low-latency x8 / x4 / x2 / x1 (bypass) interpolation filter is programmed for sample rates from 8 kHz to 384 kHz.

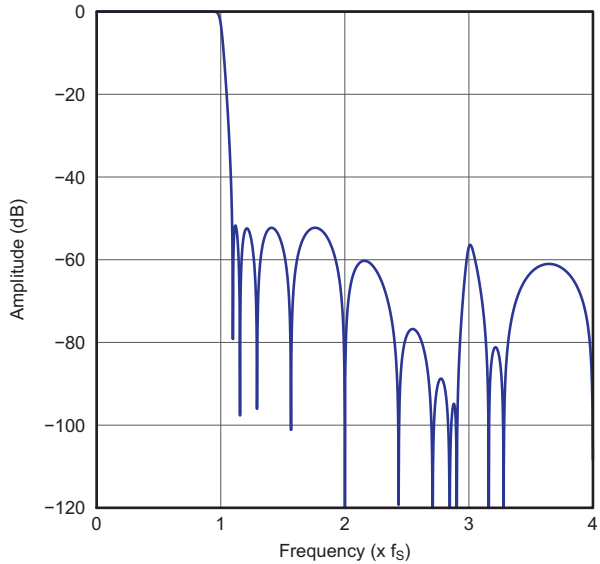
**Table 7. Low Latency x8 Interpolation Filter**

Parameter	Condition	Value (Typ)	Units
Filter gain pass band	0 ..... 0.45f <sub>S</sub>	±0.0001	dB
Filter gain stop band	0.55f <sub>S</sub> ..... 7.455f <sub>S</sub>	-52	dB
Filter group delay		3.5t <sub>S</sub>	s

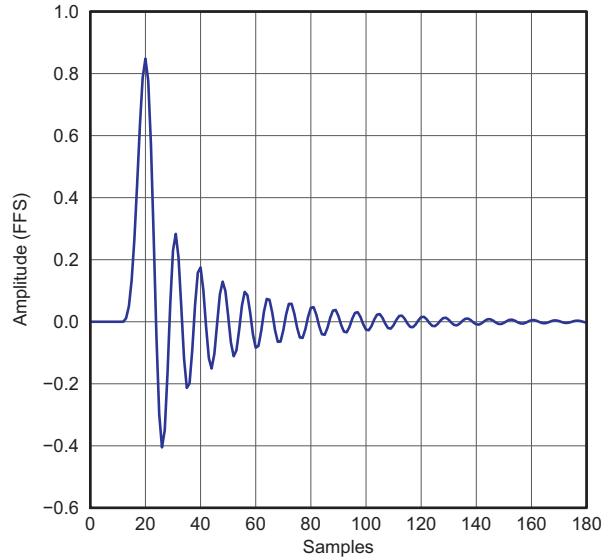


**Table 8. Low Latency x4 Interpolation Filter**

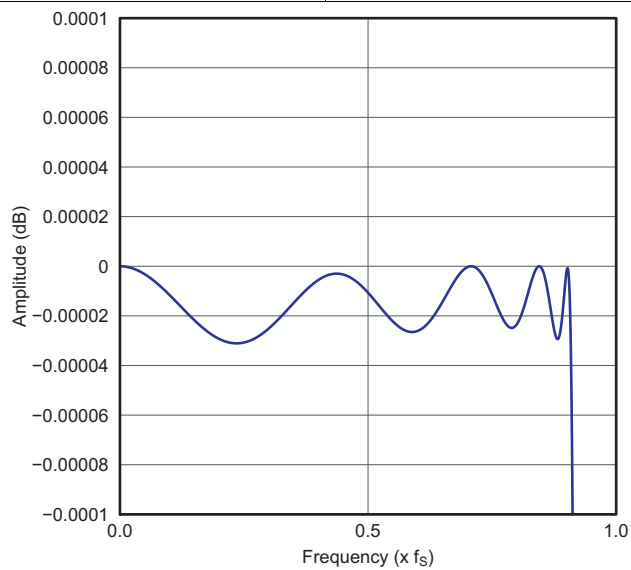
Parameter	Condition	Value (Typ)	Units
Filter gain pass band	0 ..... 0.45f <sub>S</sub>	±0.0001	dB
Filter gain stop band	0.55f <sub>S</sub> ..... 3.455f <sub>S</sub>	-52	dB
Filter group delay		3.5t <sub>S</sub>	s



**Figure 27. Low Latency x4 Interpolation Filter Frequency Response**



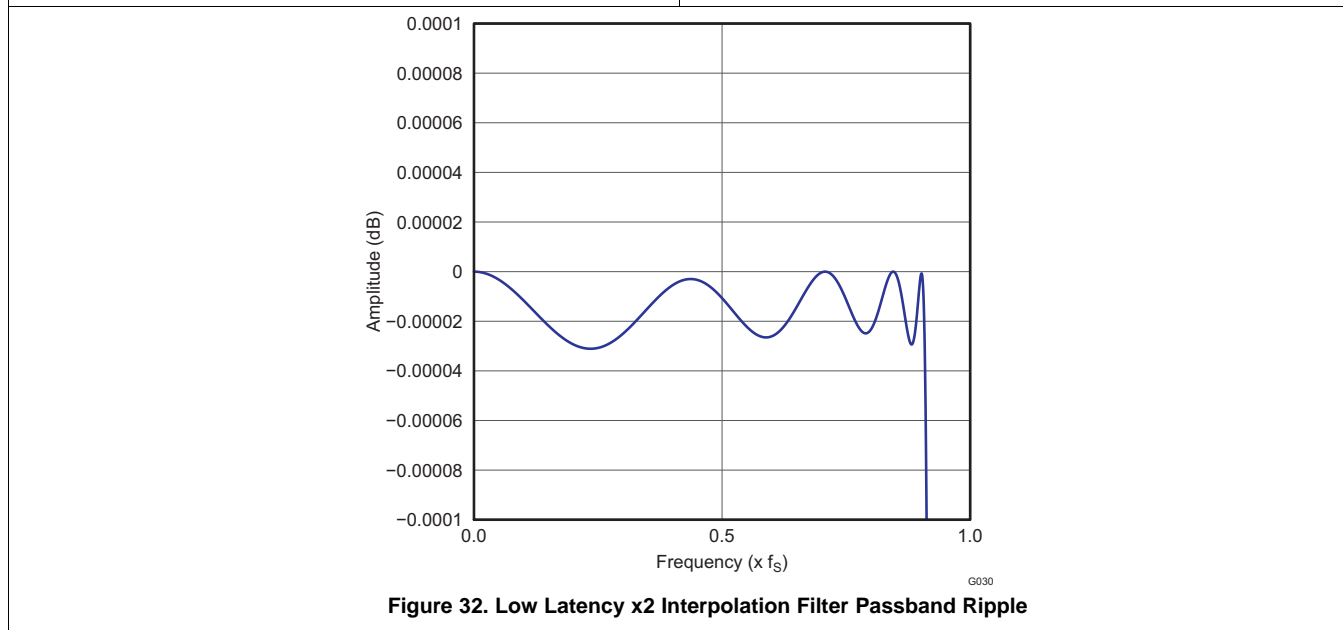
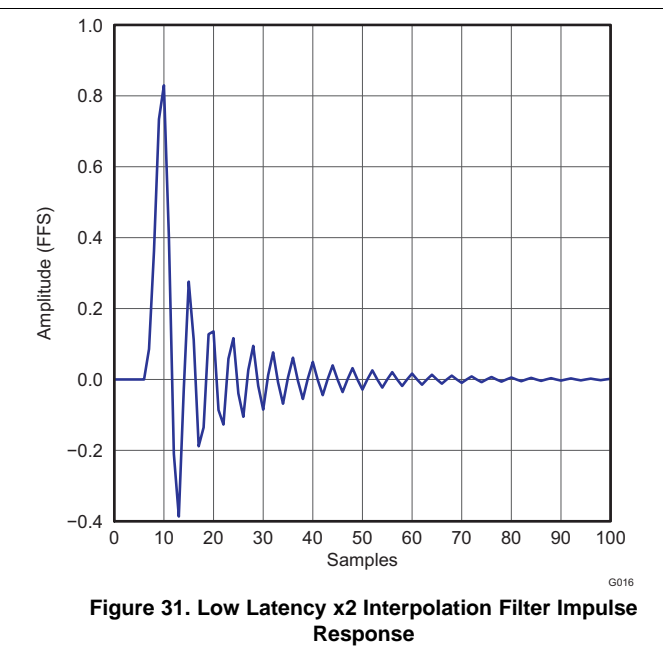
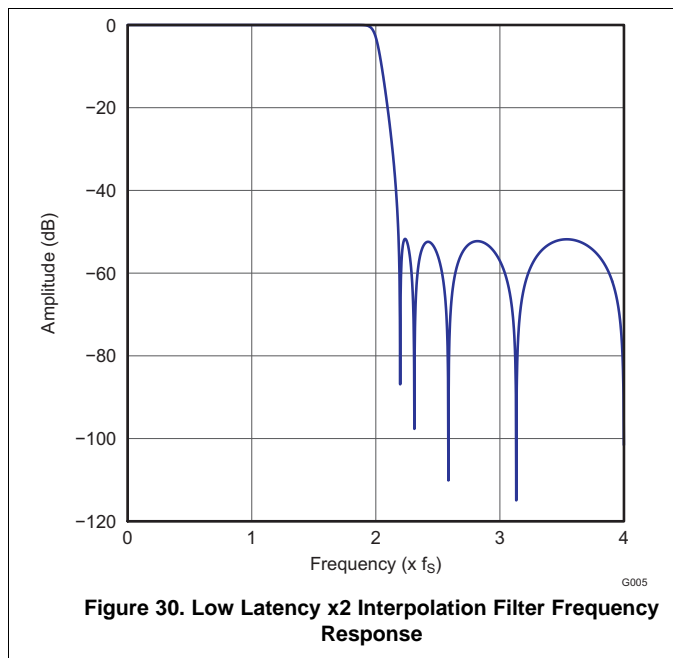
**Figure 28. Low Latency x4 Interpolation Filter Impulse Response**



**Figure 29. Low Latency x4 Interpolation Filter Passband Ripple**

**Table 9. Low Latency x2 Interpolation Filter**

Parameter	Condition	Value (Typ)	Units
Filter gain pass band	0 ..... 0.45f <sub>S</sub>	±0.0001	dB
Filter gain stop band	0.55f <sub>S</sub> ..... 1.455f <sub>S</sub>	-52	dB
Filter group delay		3.5t <sub>S</sub>	s



### 9.3.5 Reset and System Clock Functions

#### 9.3.5.1 Clocking Overview

The PCM510xA devices have flexible systems for clocking. Internally, the device requires a number of clocks, mostly at related clock rates to function correctly. All of these clocks can be derived from the serial audio interface in one form or another.

The data flows at the sample rate ( $f_s$ ). Once the data is brought into the serial audio interface, it gets processed, interpolated and modulated all the way to  $128 \times f_s$  before arriving at the current segments for the final digital to analog conversion.

The serial audio interface typically has 4 connections SCK (system master clock), BCK (bit clock), LRCK (left right word clock) and DIN (data). The device has an internal PLL that is used to take either SCK or BCK and create the higher rate clocks required by the interpolating processor and the DAC clock. This allows the device to operate with or without an external SCK.

#### 9.3.5.2 Clock Slave Mode With Master/System Clock (SCK) Input (4 Wire I<sup>2</sup>S)

The PCM510xA requires a system clock to operate the digital interpolation filters and advanced segment DAC modulators. The system clock is applied at the SCK input and supports up to 50 MHz. The PCM510xA system-clock detection circuit automatically senses the system-clock frequency. Common audio sampling frequencies in the bands of 8 kHz, 16 kHz, (32 kHz - 44.1 kHz - 48 kHz), (88.2kHz - 96kHz), (176.4 kHz - 192 kHz), and 384 kHz with  $\pm 4\%$  tolerance are supported. Values in the parentheses are grouped when detected, e.g. 88.2kHz and 96kHz are detected as "double rate," 32kHz, 44.1kHz and 48kHz will be detected as "single rate".

The sampling frequency detector sets the clock for the digital filter, Delta Sigma Modulator (DSM) and the Negative Charge Pump (NCP) automatically. Table 10 shows examples of system clock frequencies for common audio sampling rates.

SCK rates that are not common to standard audio clocks, between 1 MHz and 50 MHz, are only supported in software mode, available only in the PCM512x, PCM514x, and PCM5242 devices, by configuring various PLL and clock-divider registers. This programmability allows the device to become a clock master and drive the host serial port with LRCK and BCK, from a non-audio related clock (for example, using 12 MHz to generate 44.1 kHz [LRCK] and 2.8224 MHz [BCK]).

**Table 10. System Master Clock Inputs for Audio Related Clocks**

Sampling Frequency	System Clock Frequency ( $f_{SCK}$ ) (MHz)											
	64 $f_s$	128 $f_s$	192 $f_s$	256 $f_s$	384 $f_s$	512 $f_s$	768 $f_s$	1024 $f_s$	1152 $f_s$	1536 $f_s$	2048 $f_s$	3072 $f_s$
8 kHz	– <sup>(1)</sup>	1.024 <sup>(2)</sup>	1.536 <sup>(2)</sup>	2.048	3.072	4.096	6.144	8.192	9.216	12.288	16.384	24.576
16 kHz	– <sup>(1)</sup>	2.048 <sup>(2)</sup>	3.072 <sup>(2)</sup>	4.096	6.144	8.192	12.288	16.384	18.432	24.576	36.864	49.152
32 kHz	– <sup>(1)</sup>	4.096 <sup>(2)</sup>	6.144 <sup>(2)</sup>	8.192	12.288	16.384	24.576	32.768	36.864	49.152	– <sup>(1)</sup>	– <sup>(1)</sup>
44.1 kHz	– <sup>(1)</sup>	5.6488 <sup>(2)</sup>	8.4672 <sup>(2)</sup>	11.2896	16.9344	22.5792	33.8688	45.1584	– <sup>(1)</sup>	– <sup>(1)</sup>	– <sup>(1)</sup>	– <sup>(1)</sup>
48 kHz	– <sup>(1)</sup>	6.144 <sup>(2)</sup>	9.216 <sup>(2)</sup>	12.288	18.432	24.576	36.864	49.152	– <sup>(1)</sup>	– <sup>(1)</sup>	– <sup>(1)</sup>	– <sup>(1)</sup>
88.2 kHz	– <sup>(1)</sup>	11.2896 <sup>(2)</sup>	16.9344	22.5792	33.8688	45.1584	– <sup>(1)</sup>	– <sup>(1)</sup>	– <sup>(1)</sup>	– <sup>(1)</sup>	– <sup>(1)</sup>	– <sup>(1)</sup>
96 kHz	– <sup>(1)</sup>	12.288 <sup>(2)</sup>	18.432	24.576	36.864	49.152	– <sup>(1)</sup>	– <sup>(1)</sup>	– <sup>(1)</sup>	– <sup>(1)</sup>	– <sup>(1)</sup>	– <sup>(1)</sup>
176.4 kHz	– <sup>(1)</sup>	22.579	33.8688	45.1584	– <sup>(1)</sup>	– <sup>(1)</sup>	– <sup>(1)</sup>	– <sup>(1)</sup>	– <sup>(1)</sup>	– <sup>(1)</sup>	– <sup>(1)</sup>	– <sup>(1)</sup>
192 kHz	– <sup>(1)</sup>	24.576	36.864	49.152	– <sup>(1)</sup>	– <sup>(1)</sup>	– <sup>(1)</sup>	– <sup>(1)</sup>	– <sup>(1)</sup>	– <sup>(1)</sup>	– <sup>(1)</sup>	– <sup>(1)</sup>
384 kHz	24.576	49.152	– <sup>(1)</sup>	– <sup>(1)</sup>	– <sup>(1)</sup>	– <sup>(1)</sup>	– <sup>(1)</sup>	– <sup>(1)</sup>	– <sup>(1)</sup>	– <sup>(1)</sup>	– <sup>(1)</sup>	– <sup>(1)</sup>

(1) This system clock rate is not supported for the given sampling frequency.

(2) This system clock rate is supported by PLL mode.

### 9.3.5.3 Clock Slave Mode with BCK PLL to Generate Internal Clocks (3-Wire PCM)

The system clock PLL mode allows designers to use a simple 3-wire I<sup>2</sup>S audio source. The 3-wire source reduces the need for a high frequency SCK, making PCB layout easier, and reduces high frequency electromagnetic interference.

The internal PLL is disabled as soon as an external SCK is supplied.

The device starts up expecting an external SCK input, but if BCK and LRCK start correctly while SCK remains at ground level for 16 successive LRCK periods, then the internal PLL starts, automatically generating an internal SCK from the BCK reference. Specific BCK rates are required to generate an appropriate master clock. [Table 11](#) describes the minimum and maximum BCK per LRCK for the integrated PLL to automatically generate an internal SCK.

**Table 11. BCK Rates (MHz) by LRCK Sample Rate for PCM510xA PLL Operation**

Sample f (kHz)	BCK (f <sub>s</sub> )	
	32	64
8	–	–
16	–	1.024
32	1.024	2.048
44.1	1.4112	2.8224
48	1.536	3.072
96	3.072	6.144
192	6.144	12.288
384	12.288	24.576

## 9.4 Device Functional Modes

### 9.4.1 External SCK and PLL Activation

As discussed in [Clock Slave Mode with BCK PLL to Generate Internal Clocks \(3-Wire PCM\)](#), the internal PLL of a PCM510xA device supplies a SCK if an external SCK is not present at powerup.

#### 9.4.1.1 Interpolation Filter Modes

Interpolation-filter options are controlled by the FLT pin. See [Table 3](#).

#### 9.4.1.2 44.1kHz De-emphasis

De-emphasis control for 44.1-kHz f<sub>s</sub> is controlled by the DEMP pin. See [Pin Configuration and Functions](#).

#### 9.4.1.3 Audio Format

Audio format is selected by the FMT pin. See [Pin Configuration and Functions](#).

## 10 Applications and Implementation

### NOTE

Information in the following applications sections is not part of the TI component specification, and TI does not warrant its accuracy or completeness. TI's customers are responsible for determining suitability of components for their purposes. Customers should validate and test their design implementation to confirm system functionality.

### 10.1 Application Information

#### 10.1.1 Typical Applications

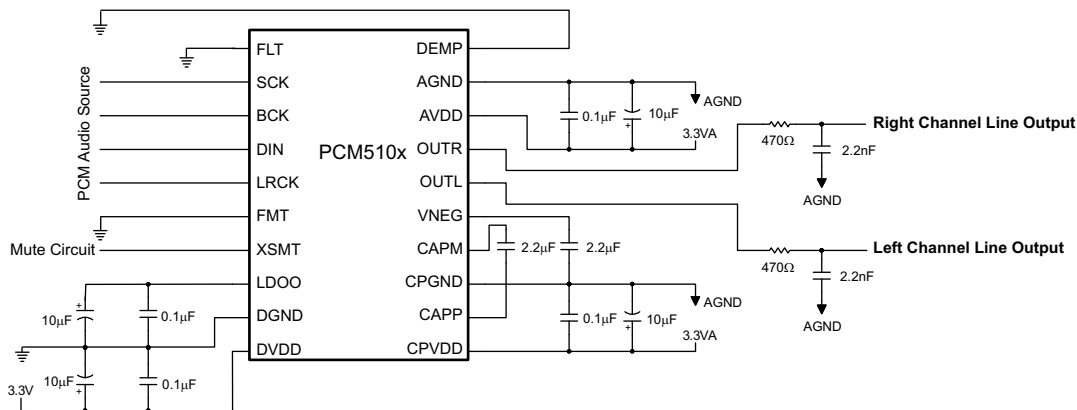


Figure 33. Simplified Schematic, Hardware-Controlled Subsystem

##### 10.1.1.1 Example Design Requirements

- Device control method: hardware control
  - Normal filter latency
  - I<sup>2</sup>S digital audio interface
  - Power rail monitoring from the system 12-V rail to mute early on system power loss
- Single-ended 2.1-V<sub>RMS</sub> analog outputs
- 3-wire I<sup>2</sup>S interface (BCK PLL)
- Single 3.3-V supply

##### 10.1.1.2 Detailed Design Procedure

- Device control method: See [Pin Configuration and Functions](#) and [Audio Processing](#).
  - Normal filter latency: FLT pin tied low
  - Audio format selection: FMT pin tied low
- Clock and PLL setup (See [Reset and System Clock Functions](#)). Ensure incoming BCK meets minimum requirements.
- XSMT pin setup for 12-V monitoring (See [External Power Sense Undervoltage Protection Mode](#)).
- Single-supply 3.3-V operation (See [Setting Digital Power Supplies and I/O Voltage Rails](#))

Application Information (continued)

10.1.1.3 Application Curve

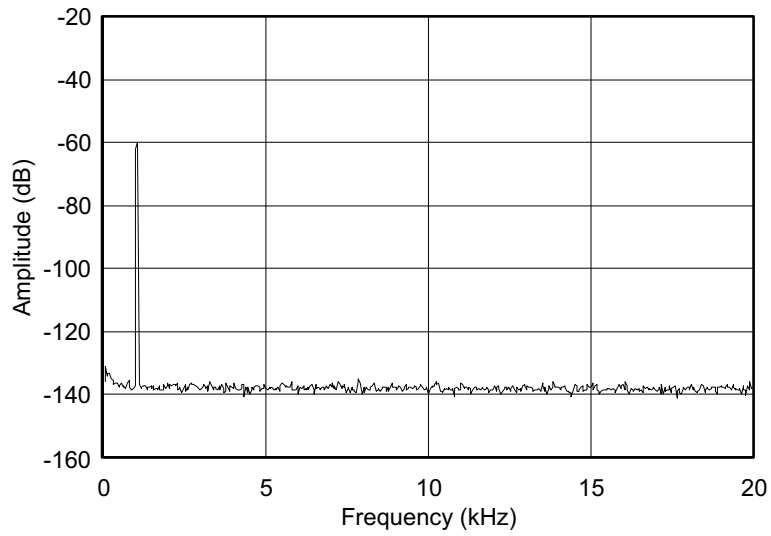


Figure 34. PCM5101A FFT Plot, DC to 20 kHz with a 1 kHz, -60dBFS Input

## 11 Power Supply Recommendations

### 11.1 Power Supply Distribution and Requirements

The PCM510xA devices are powered through the following pins:

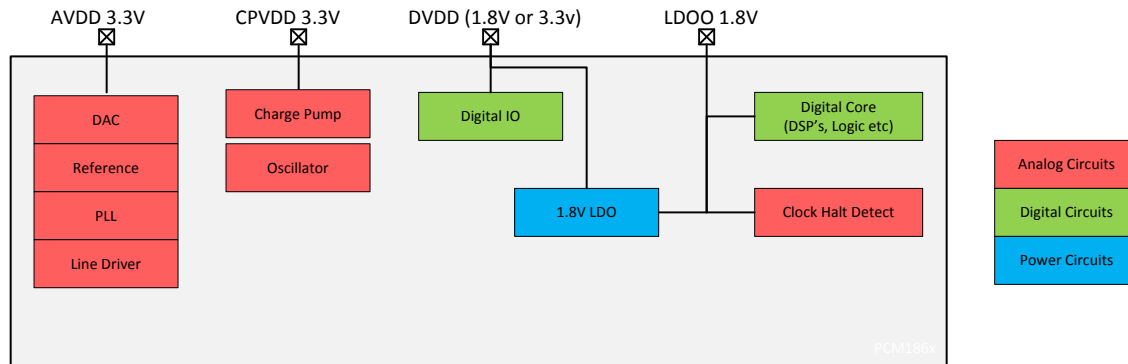


Figure 35. Power Distribution Tree within PCM510xA

Table 12. Power Supply Pin Descriptions

NAME	USAGE / DESCRIPTION
AVDD	Analog voltage supply; must be 3.3 V. This powers all analog circuitry that the DAC runs on.
DVDD	Digital voltage supply. This is used as the I/O voltage control and the input to the onchip LDO.
CPVDD	Charge Pump Voltage Supply - must be 3.3 V
LDOO	Output from the onchip LDO. Should be used with a 0.1- $\mu$ F decoupling cap. Can be driven (used as power input) with a 1.8-V supply to bypass the onchip LDO for lower power consumption.
AGND	Analog ground
DGND	Digital ground

### 11.2 Recommended Powerdown Sequence

Under certain conditions, the PCM510xA devices can exhibit some pop on power down. Pops are caused by a device not having enough time to detect power loss and start the muting process.

The PCM510xA devices have two auto-mute functions to mute the device upon power loss (intentional or unintentional).

#### XSMT = 0

When the XSMT pin is pulled low, the incoming PCM data is attenuated to 0, closely followed by a hard analog mute. This process takes 150 sample times ( $t_s$ ) + 0.2 ms.

Because this mute time is mainly dominated by the sampling frequency, systems sampling at 192 kHz will mute much faster than a 48-kHz system.

#### Clock Error Detect

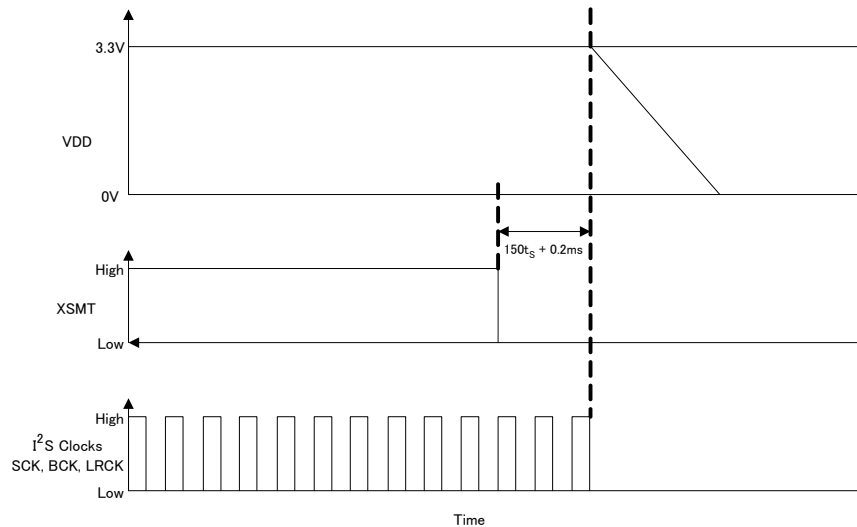
When clock error is detected on the incoming data clock, the PCM510xA devices switch to an internal oscillator, and continue to drive the output, while attenuating the data from the last known value. Once this process is complete, the PCM510xA outputs are hard muted to ground.

#### 11.2.1 Planned Shutdown

These auto-muting processes can be manipulated by system designs to mute before power loss in the following ways:

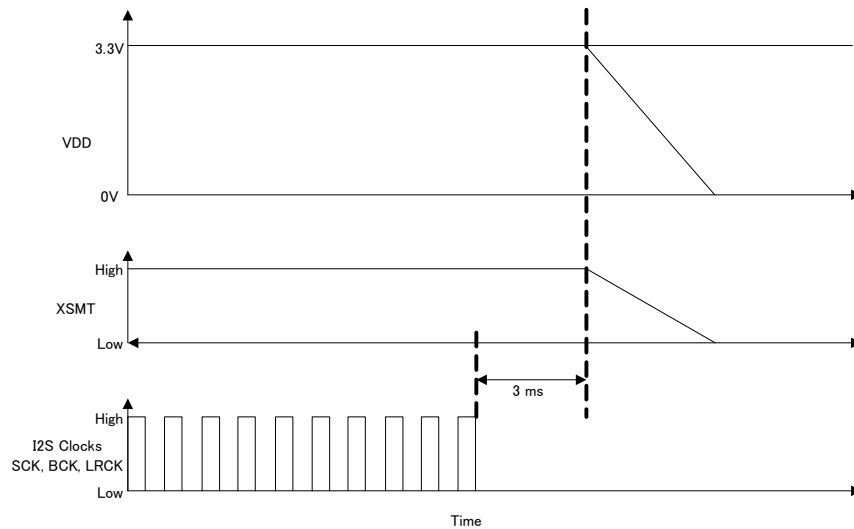
1. Assert XSMT low 150  $t_s$  + 0.2 ms before power is removed.

## Recommended Powerdown Sequence (continued)



**Figure 36. Assert XSMT**

2. Stop I<sup>2</sup>S clocks (SCK, BCK, LRCK) 3 ms before powerdown as shown in [Figure 37](#).



**Figure 37. Stop I<sup>2</sup>C Clocks**

### 11.2.2 Unplanned Shutdown

Many systems use a low-noise regulator to provide an AVDD 3.3-V supply for the DAC. The XSMT Pin can take advantage of such a feature to measure the pre-regulated output from the system SMPS to mute the output before the entire SMPS discharges. [Figure 38](#) shows how to configure such a system to use the XSMT pin. The XSMT pin can also be used in parallel with a GPIO pin from the system microcontroller/DSP or power supply.

## Recommended Powerdown Sequence (continued)

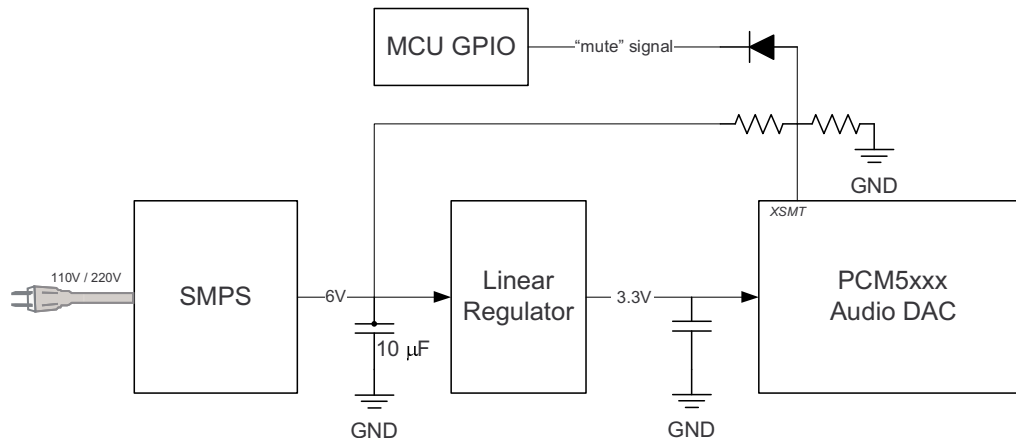


Figure 38. Using the XSMT Pin

### 11.3 External Power Sense Undervoltage Protection Mode

#### NOTE

External Power Sense Undervoltage Protection Mode is supported only when DVDD = 3.3 V.

The XSMT pin can also be used to monitor a system voltage, such as the 24-VDC LCD TV backlight, or 12-VDC system supply using a voltage divider created with two resistors. (See [Figure 39](#))

- If the XSMT pin makes a transition from “1” to “0” over 6 ms or more, the device switches into external undervoltage protection mode. This mode uses two trigger levels:
  - When the XSMT pin level reaches 2 V, soft mute process begins.
  - When the XSMT pin level reaches 1.2 V, analog mute engages, regardless of digital audio level, and analog shutdown begins. (DAC and related circuitry powers down).

If XSMT is moved from “1” to “0” in 20 ns or less, then the device will interpret it as a digital controlled request to mute. It will perform a soft mute, then move to standby.

A timing diagram to show this is shown in [Figure 40](#).

#### NOTE

The XSMT input pin voltage range is from  $-0.3$  V to  $DVDD+0.3$  V. The ratio of external resistors must produce a voltage within this input range. Any increase in power supply (such as power supply positive noise or ripple) can pull the XSMT pin higher than  $DVDD+0.3$  V.

For example, if the PCM510xA is monitoring a 12-V input, and dividing the voltage by 4, then the voltage at XSMT during ideal power supply conditions is 3.3 V. A voltage spike higher than 14.4 V causes a voltage greater than 3.6 V ( $DVDD+0.3$ ) on the XSMT pin, potentially damaging the device.

Providing the divider is set appropriately, any DC voltage can be monitored.

External Power Sense Undervoltage Protection Mode (continued)

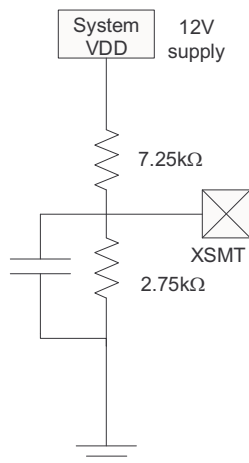


Figure 39. XSMT in External UVP Mode

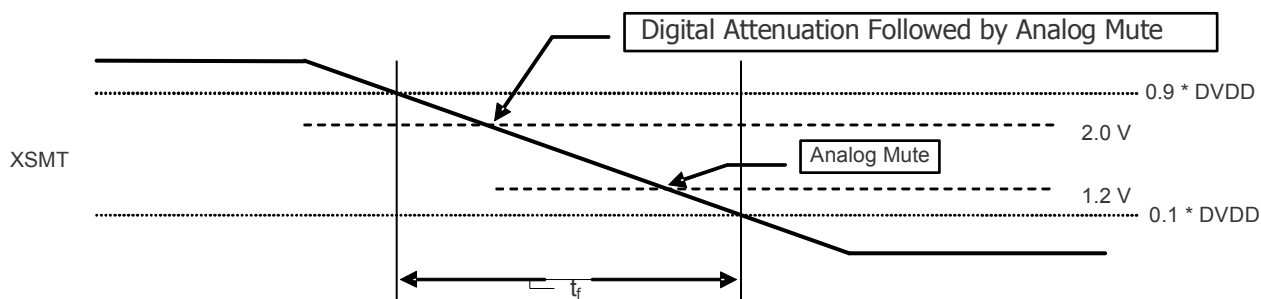


Figure 40. XSMT Timing for Undervoltage Protection

The trigger voltage values for the soft mute and hard mute are shown in Table 13. The range of values will vary from device to device, but typical thresholds are shown. XSMT should be set up to nominally be 3.3 V along with DVDD, but derived from a higher system power supply rail.

Table 13. Distribution of Voltage Thresholds

	MIN	TYP	MAX
Soft Mute Threshold Voltage	2.0 V	2.2 V	0.9×DVDD
Hard Mute Threshold Voltage	0.1×DVDD	0.9 V	1.2 V

## 11.4 Power-On Reset Function

### Power-On Reset, DVDD 3.3-V Supply

The PCM510xA includes a power-on reset function shown in [Figure 41](#). With  $V_{DD} > 2.8$  V, the power-on reset function is enabled. After the initialization period, the PCM510xA is set to its default reset state. Analog output will begin ramping after valid data has been passing through the device for the given group delay given by the digital interpolation filter selected.

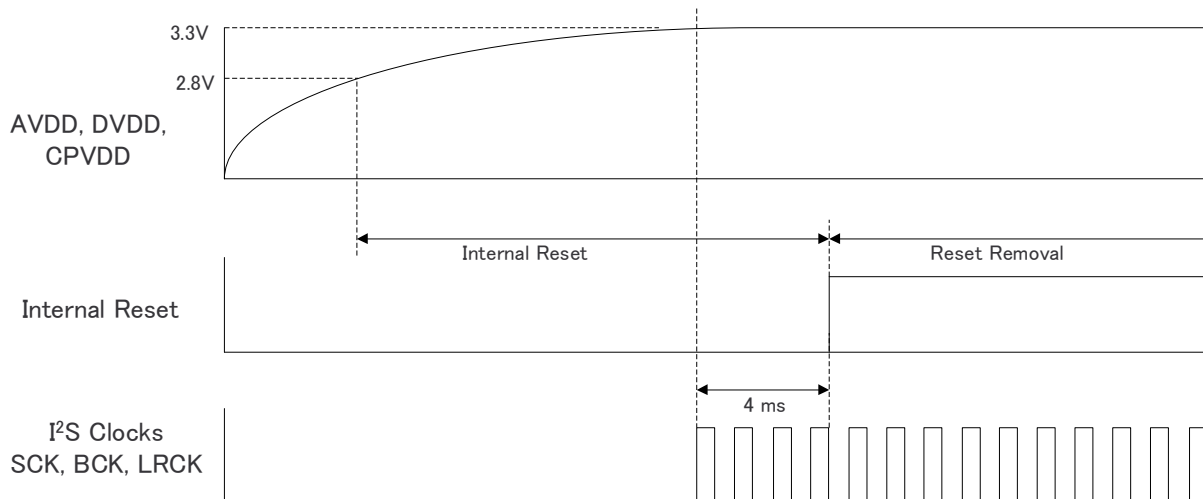


Figure 41. Power-On Reset Timing, DVDD = 3.3 V

### Power-On Reset, DVDD 1.8-V Supply

The PCM510xA includes a power-on reset function shown in [Figure 42](#) operating at DVDD = 1.8 V. With AVDD greater than approximately 2.8 V, CPVDD greater than approximately 2.8 V, and DVDD greater than approximately 1.5 V, the power-on reset function is enabled. After the initialization period, the PCM510xA is set to its default reset state.

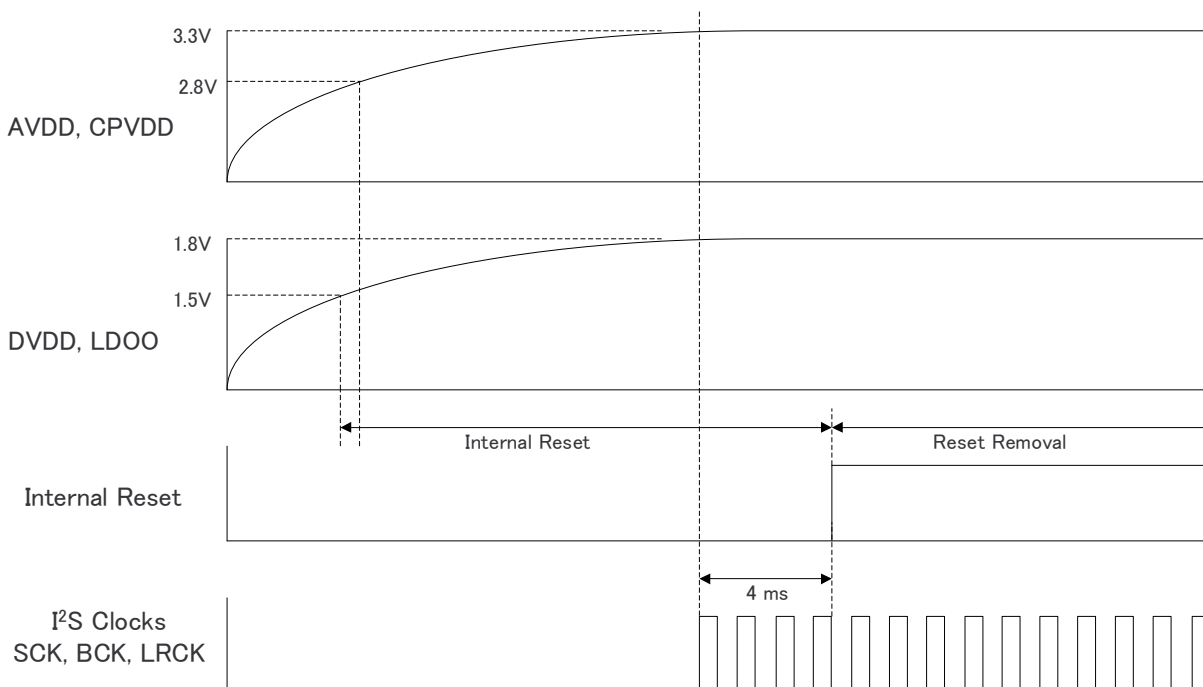


Figure 42. Power-On Reset Timing, DVDD = 1.8 V

## 11.5 PCM510xA Power Modes

### 11.5.1 Setting Digital Power Supplies and I/O Voltage Rails

The internal digital core of the PCM510xA devices run from a 1.8-V supply. This can be generated by the internal LDO, or by an external 1.8-V supply.

DVDD is used to set the I/O voltage, and to be used as the input to the onchip LDO that creates the 1.8 V required by the digital core.

For systems that require 3.3 V I/O support, but lower power consumption, DVDD should be connected to 3.3 V and LDOO can be connected to an external 1.8-V source. Doing so will disable the onchip LDO.

When setting I/O voltage to be 1.8 V, both DVDD and LDOO must be provided with an external 1.8-V supply.

### 11.5.2 Power Save Modes

The PCM510xA devices offer two power-save modes: standby and power-down.

When a clock error (SCK, BCK, and LRCK) or clock halt is detected, the PCM510xA device automatically enters standby mode. The DAC and line driver are also powered down.

When BCK and LRCK remain at a low level for more than 1 second, the PCM510xA device automatically enters powerdown mode. Power-down mode disables the negative charge pump and bias/reference circuit, in addition to those disabled in standby mode.

When expected audio clocks (SCK, BCK, LRCK) are applied to the PCM510xA device, or if BCK and LRCK start correctly while SCK remains at ground level for 16 successive LRCK periods, the device starts its powerup sequence automatically.

## 12 Layout

### 12.1 Layout Guidelines

- The PCM510xA family of devices are simple to layout. Most engineers use a shared common ground for an entire device. GND can be consider AGND and DGND connected.
- Good system partitioning should keep digital clock and interface traces away from the analog outputs for highest analog performance. This reduces any high speed clock return currents influencing the analog outputs.
- Power supply and charge pump decoupling capacitors should be placed as close as possible to the device.
- The top layer should be used for routing signals, whilst the bottom layer can be used for GND.

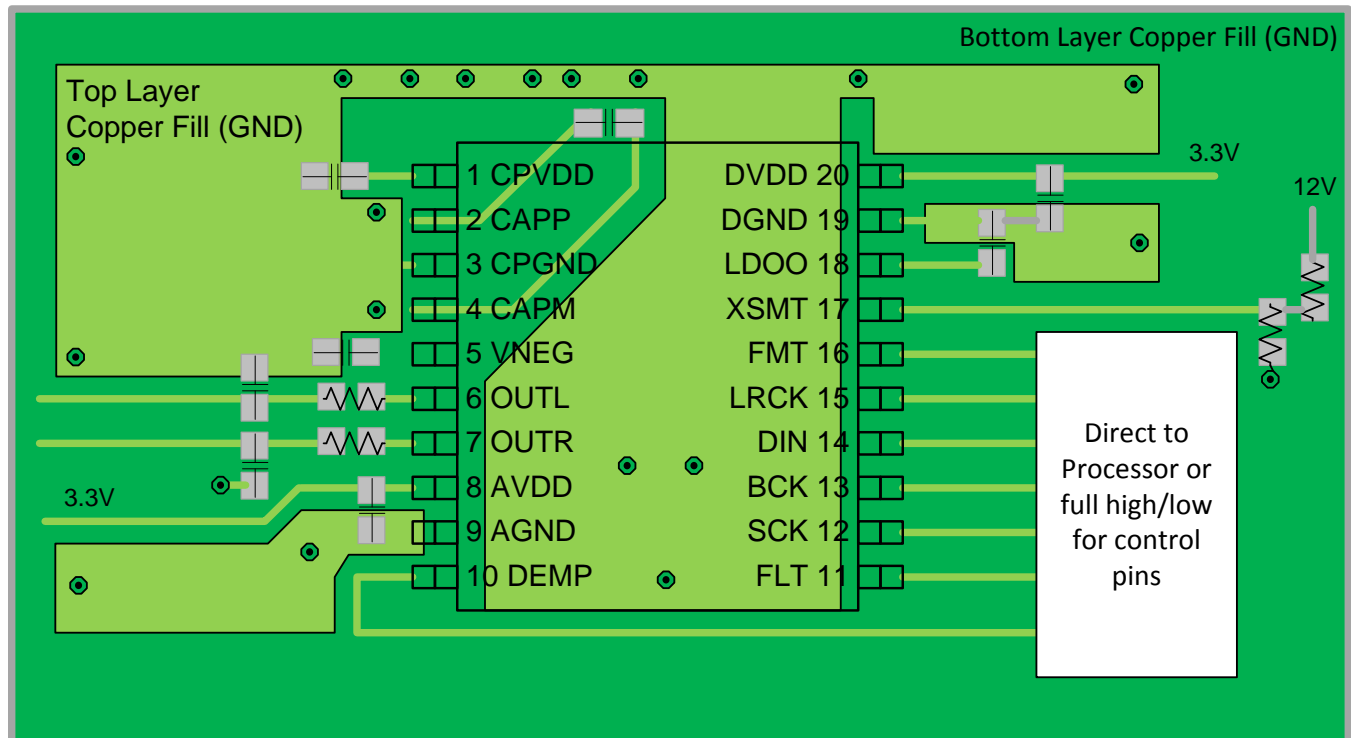


Figure 43. PCM510x Layout Example

## 13 Device and Documentation Support

### 13.1 Related Links

The table below lists quick access links. Categories include technical documents, support and community resources, tools and software, and quick access to sample or buy.

**Table 14. Related Links**

PARTS	PRODUCT FOLDER	SAMPLE & BUY	TECHNICAL DOCUMENTS	TOOLS & SOFTWARE	SUPPORT & COMMUNITY
PCM5100A	<a href="#">Click here</a>	<a href="#">Click here</a>	<a href="#">Click here</a>	<a href="#">Click here</a>	<a href="#">Click here</a>
PCM5101A	<a href="#">Click here</a>	<a href="#">Click here</a>	<a href="#">Click here</a>	<a href="#">Click here</a>	<a href="#">Click here</a>
PCM5102A	<a href="#">Click here</a>	<a href="#">Click here</a>	<a href="#">Click here</a>	<a href="#">Click here</a>	<a href="#">Click here</a>
PCM5100A-Q1	<a href="#">Click here</a>	<a href="#">Click here</a>	<a href="#">Click here</a>	<a href="#">Click here</a>	<a href="#">Click here</a>
PCM5101A-Q1	<a href="#">Click here</a>	<a href="#">Click here</a>	<a href="#">Click here</a>	<a href="#">Click here</a>	<a href="#">Click here</a>
PCM5102A-Q1	<a href="#">Click here</a>	<a href="#">Click here</a>	<a href="#">Click here</a>	<a href="#">Click here</a>	<a href="#">Click here</a>

### 13.2 Community Resources

[E2E™ Audio Converters Forum TI](#)

[E2E Community](#)

### 13.3 Trademarks

Directpath is a trademark of Texas Instruments, Inc.

System Two Cascade, Audio Precision are trademarks of Audio Precision.

### 13.4 Electrostatic Discharge Caution



This integrated circuit can be damaged by ESD. Texas Instruments recommends that all integrated circuits be handled with appropriate precautions. Failure to observe proper handling and installation procedures can cause damage.

ESD damage can range from subtle performance degradation to complete device failure. Precision integrated circuits may be more susceptible to damage because very small parametric changes could cause the device not to meet its published specifications.

## 14 Mechanical, Packaging, and Orderable Information

The following pages include mechanical packaging and orderable information. This information is the most current data available for the designated devices. This data is subject to change without notice and revision of this document. For browser-based versions of this data sheet, see the left-hand navigation.

### 14.1 Mechanical Data

**PACKAGING INFORMATION**

Orderable Device	Status (1)	Package Type	Package Drawing	Pins	Package Qty	Eco Plan (2)	Lead finish/ Ball material (6)	MSL Peak Temp (3)	Op Temp (°C)	Device Marking (4/5)	Samples
PCM5100APW	ACTIVE	TSSOP	PW	20	70	RoHS & Green	NIPDAU	Level-1-260C-UNLIM	-25 to 85	PCM5100A	<a href="#">Samples</a>
PCM5100APWR	ACTIVE	TSSOP	PW	20	2000	RoHS & Green	NIPDAU	Level-1-260C-UNLIM	-25 to 85	PCM5100A	<a href="#">Samples</a>
PCM5100AQPWRQ1	ACTIVE	TSSOP	PW	20	2000	RoHS & Green	NIPDAU	Level-1-260C-UNLIM	-40 to 125	P5100AQ1	<a href="#">Samples</a>
PCM5101APW	ACTIVE	TSSOP	PW	20	70	RoHS & Green	NIPDAU	Level-1-260C-UNLIM	-25 to 85	PCM5101A	<a href="#">Samples</a>
PCM5101APWR	ACTIVE	TSSOP	PW	20	2000	RoHS & Green	NIPDAU	Level-1-260C-UNLIM	-25 to 85	PCM5101A	<a href="#">Samples</a>
PCM5101AQPWRQ1	ACTIVE	TSSOP	PW	20	2000	RoHS & Green	NIPDAU	Level-1-260C-UNLIM	-40 to 125	P5101AQ1	<a href="#">Samples</a>
PCM5102APW	ACTIVE	TSSOP	PW	20	70	RoHS & Green	NIPDAU	Level-1-260C-UNLIM	-25 to 85	PCM5102A	<a href="#">Samples</a>
PCM5102APWR	ACTIVE	TSSOP	PW	20	2000	RoHS & Green	NIPDAU	Level-1-260C-UNLIM	-25 to 85	PCM5102A	<a href="#">Samples</a>
PCM5102AQPWRQ1	ACTIVE	TSSOP	PW	20	2000	RoHS & Green	NIPDAU	Level-1-260C-UNLIM	-40 to 125	P5102AQ1	<a href="#">Samples</a>

(1) The marketing status values are defined as follows:

**ACTIVE:** Product device recommended for new designs.

**LIFEBUY:** TI has announced that the device will be discontinued, and a lifetime-buy period is in effect.

**NRND:** Not recommended for new designs. Device is in production to support existing customers, but TI does not recommend using this part in a new design.

**PREVIEW:** Device has been announced but is not in production. Samples may or may not be available.

**OBSELETE:** TI has discontinued the production of the device.

(2) **RoHS:** TI defines "RoHS" to mean semiconductor products that are compliant with the current EU RoHS requirements for all 10 RoHS substances, including the requirement that RoHS substance do not exceed 0.1% by weight in homogeneous materials. Where designed to be soldered at high temperatures, "RoHS" products are suitable for use in specified lead-free processes. TI may reference these types of products as "Pb-Free".

**RoHS Exempt:** TI defines "RoHS Exempt" to mean products that contain lead but are compliant with EU RoHS pursuant to a specific EU RoHS exemption.

**Green:** TI defines "Green" to mean the content of Chlorine (Cl) and Bromine (Br) based flame retardants meet JS709B low halogen requirements of <=1000ppm threshold. Antimony trioxide based flame retardants must also meet the <=1000ppm threshold requirement.

(3) MSL, Peak Temp. - The Moisture Sensitivity Level rating according to the JEDEC industry standard classifications, and peak solder temperature.

(4) There may be additional marking, which relates to the logo, the lot trace code information, or the environmental category on the device.

<sup>(5)</sup> Multiple Device Markings will be inside parentheses. Only one Device Marking contained in parentheses and separated by a "-" will appear on a device. If a line is indented then it is a continuation of the previous line and the two combined represent the entire Device Marking for that device.

<sup>(6)</sup> Lead finish/Ball material - Orderable Devices may have multiple material finish options. Finish options are separated by a vertical ruled line. Lead finish/Ball material values may wrap to two lines if the finish value exceeds the maximum column width.

**Important Information and Disclaimer:**The information provided on this page represents TI's knowledge and belief as of the date that it is provided. TI bases its knowledge and belief on information provided by third parties, and makes no representation or warranty as to the accuracy of such information. Efforts are underway to better integrate information from third parties. TI has taken and continues to take reasonable steps to provide representative and accurate information but may not have conducted destructive testing or chemical analysis on incoming materials and chemicals. TI and TI suppliers consider certain information to be proprietary, and thus CAS numbers and other limited information may not be available for release.

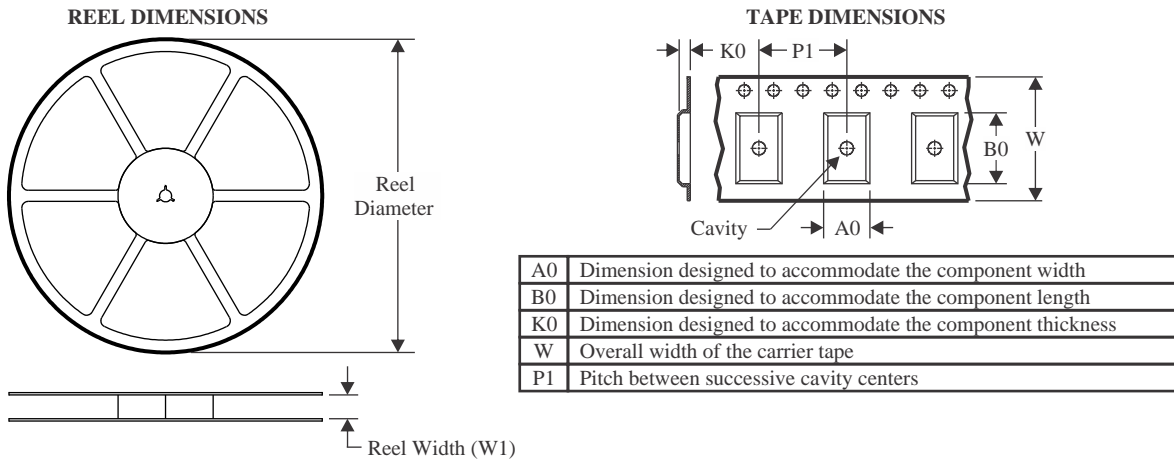
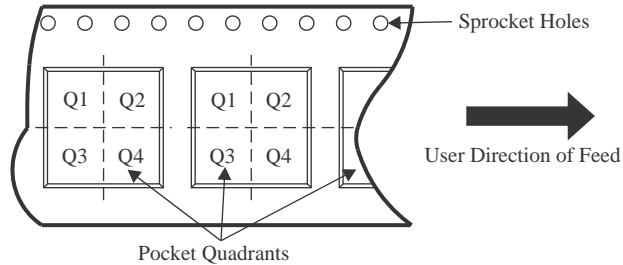
In no event shall TI's liability arising out of such information exceed the total purchase price of the TI part(s) at issue in this document sold by TI to Customer on an annual basis.

**OTHER QUALIFIED VERSIONS OF PCM5100A, PCM5100A-Q1, PCM5101A, PCM5101A-Q1, PCM5102A, PCM5102A-Q1 :**

- Catalog: [PCM5100A](#), [PCM5101A](#), [PCM5102A](#)
  
- Automotive: [PCM5100A-Q1](#), [PCM5101A-Q1](#), [PCM5102A-Q1](#)

NOTE: Qualified Version Definitions:

- Catalog - TI's standard catalog product
  
- Automotive - Q100 devices qualified for high-reliability automotive applications targeting zero defects

**TAPE AND REEL INFORMATION**

**QUADRANT ASSIGNMENTS FOR PIN 1 ORIENTATION IN TAPE**


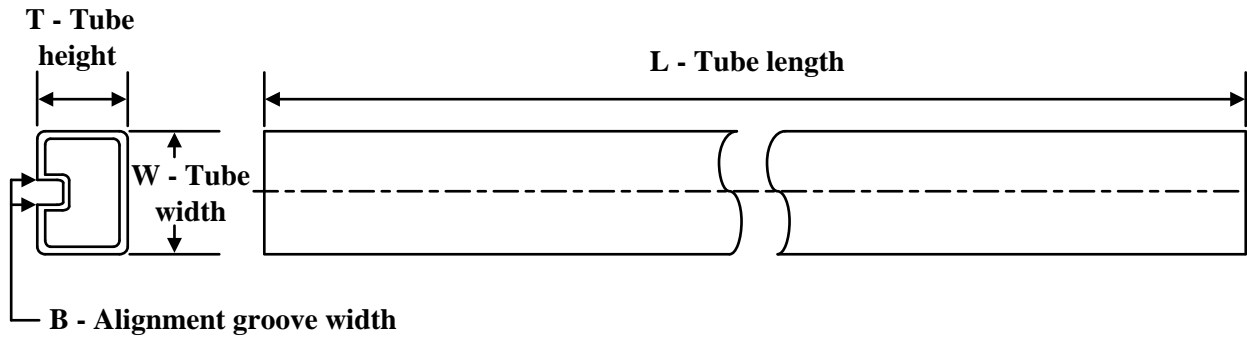
\*All dimensions are nominal

Device	Package Type	Package Drawing	Pins	SPQ	Reel Diameter (mm)	Reel Width W1 (mm)	A0 (mm)	B0 (mm)	K0 (mm)	P1 (mm)	W (mm)	Pin1 Quadrant
PCM5100APWR	TSSOP	PW	20	2000	330.0	16.4	6.95	7.1	1.6	8.0	16.0	Q1
PCM5100AQPWRQ1	TSSOP	PW	20	2000	330.0	16.4	6.95	7.1	1.6	8.0	16.0	Q1
PCM5101APWR	TSSOP	PW	20	2000	330.0	16.4	6.95	7.1	1.6	8.0	16.0	Q1
PCM5101AQPWRQ1	TSSOP	PW	20	2000	330.0	16.4	6.95	7.1	1.6	8.0	16.0	Q1
PCM5102APWR	TSSOP	PW	20	2000	330.0	16.4	6.95	7.1	1.6	8.0	16.0	Q1
PCM5102AQPWRQ1	TSSOP	PW	20	2000	330.0	16.4	6.95	7.1	1.6	8.0	16.0	Q1

**TAPE AND REEL BOX DIMENSIONS**


\*All dimensions are nominal

Device	Package Type	Package Drawing	Pins	SPQ	Length (mm)	Width (mm)	Height (mm)
PCM5100APWR	TSSOP	PW	20	2000	350.0	350.0	43.0
PCM5100AQPWRQ1	TSSOP	PW	20	2000	350.0	350.0	43.0
PCM5101APWR	TSSOP	PW	20	2000	350.0	350.0	43.0
PCM5101AQPWRQ1	TSSOP	PW	20	2000	350.0	350.0	43.0
PCM5102APWR	TSSOP	PW	20	2000	350.0	350.0	43.0
PCM5102AQPWRQ1	TSSOP	PW	20	2000	350.0	350.0	43.0

**TUBE**


\*All dimensions are nominal

Device	Package Name	Package Type	Pins	SPQ	L (mm)	W (mm)	T (μm)	B (mm)
PCM5100APW	PW	TSSOP	20	70	530	10.2	3600	3.5
PCM5101APW	PW	TSSOP	20	70	530	10.2	3600	3.5
PCM5102APW	PW	TSSOP	20	70	530	10.2	3600	3.5

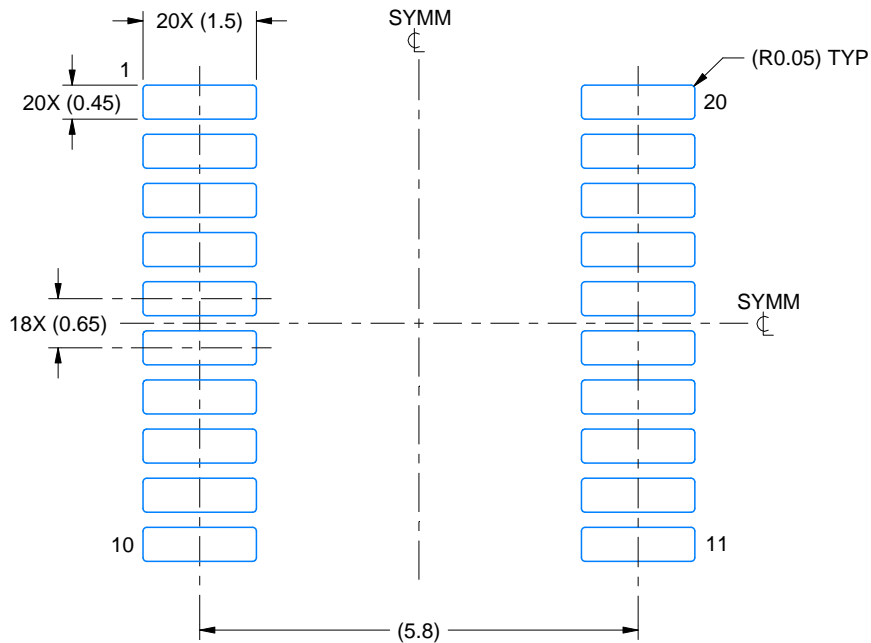


# EXAMPLE BOARD LAYOUT

PW0020A

TSSOP - 1.2 mm max height

SMALL OUTLINE PACKAGE



LAND PATTERN EXAMPLE  
EXPOSED METAL SHOWN  
SCALE: 10X



SOLDER MASK DETAILS

4220206/A 02/2017

NOTES: (continued)

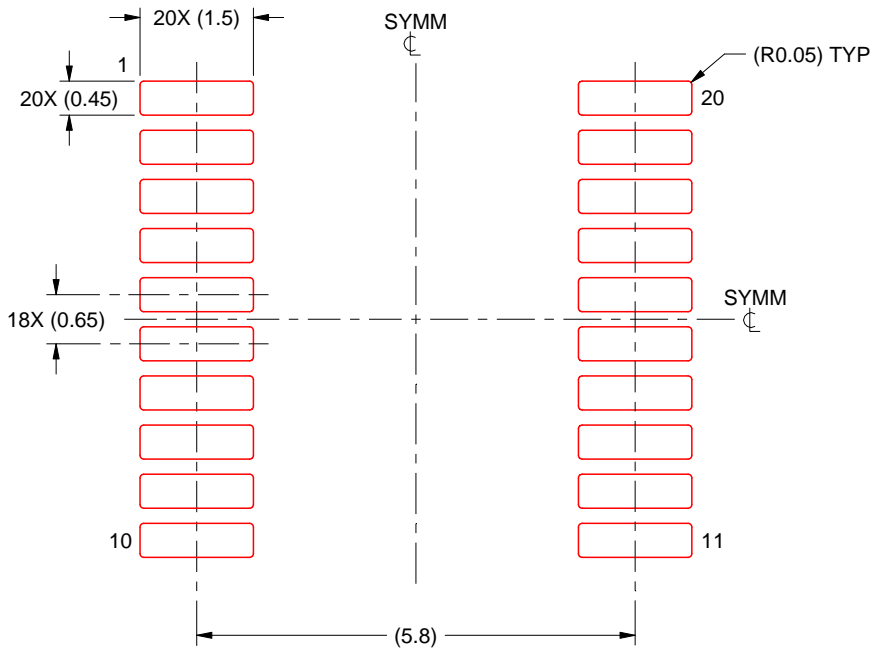
- 6. Publication IPC-7351 may have alternate designs.
- 7. Solder mask tolerances between and around signal pads can vary based on board fabrication site.

# EXAMPLE STENCIL DESIGN

PW0020A

TSSOP - 1.2 mm max height

SMALL OUTLINE PACKAGE



SOLDER PASTE EXAMPLE  
BASED ON 0.125 mm THICK STENCIL  
SCALE: 10X

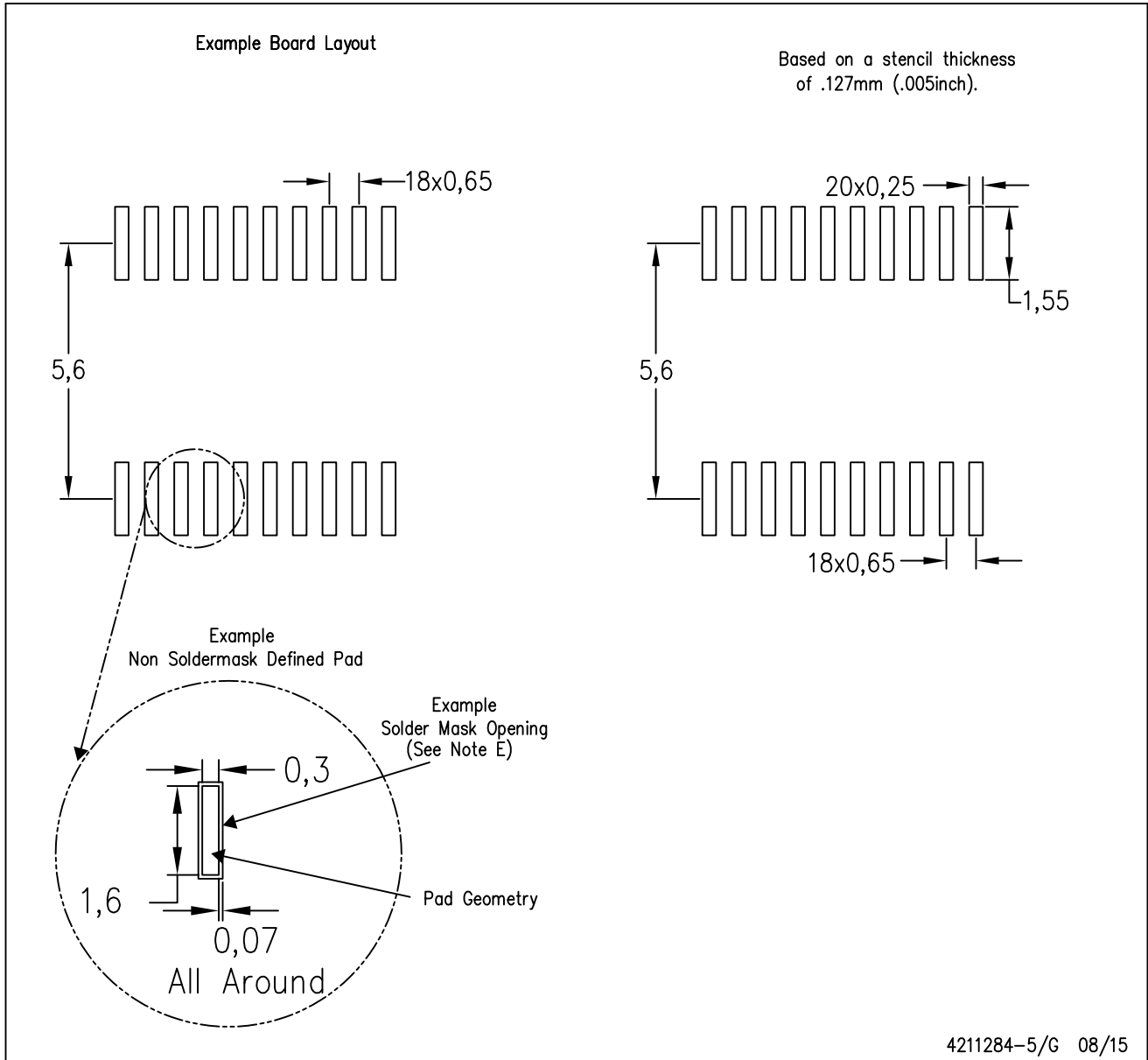
4220206/A 02/2017

NOTES: (continued)

8. Laser cutting apertures with trapezoidal walls and rounded corners may offer better paste release. IPC-7525 may have alternate design recommendations.
9. Board assembly site may have different recommendations for stencil design.

PW (R-PDSO-G20)

PLASTIC SMALL OUTLINE



- NOTES:
- A. All linear dimensions are in millimeters.
  - B. This drawing is subject to change without notice.
  - C. Publication IPC-7351 is recommended for alternate design.
  - D. Laser cutting apertures with trapezoidal walls and also rounding corners will offer better paste release. Customers should contact their board assembly site for stencil design recommendations. Refer to IPC-7525 for other stencil recommendations.
  - E. Customers should contact their board fabrication site for solder mask tolerances between and around signal pads.

## IMPORTANT NOTICE AND DISCLAIMER

TI PROVIDES TECHNICAL AND RELIABILITY DATA (INCLUDING DATA SHEETS), DESIGN RESOURCES (INCLUDING REFERENCE DESIGNS), APPLICATION OR OTHER DESIGN ADVICE, WEB TOOLS, SAFETY INFORMATION, AND OTHER RESOURCES "AS IS" AND WITH ALL FAULTS, AND DISCLAIMS ALL WARRANTIES, EXPRESS AND IMPLIED, INCLUDING WITHOUT LIMITATION ANY IMPLIED WARRANTIES OF MERCHANTABILITY, FITNESS FOR A PARTICULAR PURPOSE OR NON-INFRINGEMENT OF THIRD PARTY INTELLECTUAL PROPERTY RIGHTS.

These resources are intended for skilled developers designing with TI products. You are solely responsible for (1) selecting the appropriate TI products for your application, (2) designing, validating and testing your application, and (3) ensuring your application meets applicable standards, and any other safety, security, regulatory or other requirements.

These resources are subject to change without notice. TI grants you permission to use these resources only for development of an application that uses the TI products described in the resource. Other reproduction and display of these resources is prohibited. No license is granted to any other TI intellectual property right or to any third party intellectual property right. TI disclaims responsibility for, and you will fully indemnify TI and its representatives against, any claims, damages, costs, losses, and liabilities arising out of your use of these resources.

TI's products are provided subject to [TI's Terms of Sale](#) or other applicable terms available either on [ti.com](https://www.ti.com) or provided in conjunction with such TI products. TI's provision of these resources does not expand or otherwise alter TI's applicable warranties or warranty disclaimers for TI products.

TI objects to and rejects any additional or different terms you may have proposed.

Mailing Address: Texas Instruments, Post Office Box 655303, Dallas, Texas 75265  
Copyright © 2023, Texas Instruments Incorporated

## Looking for pricing, stock, or lifecycle information?

Click below to explore more details on WIN SOURCE:

 [View PCM5100APWR](#) on WIN SOURCE

 [Texas Instruments](#) Information

## Optimize Your Supply Chain with WIN SOURCE Solutions

-  Global Sourcing Solution
-  Obsolete Management
-  Cost Control Management
-  Shortage Management
-  Alternative Solution
-  Excess Inventory Management