



**THE DATASHEET OF
PCM3006T/2K**





PCM3006

16-Bit, Single-Ended Analog Input/Output *SoundPLUS*™ STEREO AUDIO CODEC

FEATURES

- **MONOLITHIC 16-BIT $\Delta\Sigma$ ADC AND DAC**
- **STEREO ADC:**
 - Single-Ended Voltage Input
 - 64X Oversampling
 - High Performance
 - THD+N: -84dB
 - SNR: 89dB
 - Dynamic Range: 89dB
 - Digital High Pass Filter
- **STEREO DAC:**
 - Single-Ended Voltage Output
 - Analog Low Pass Filter
 - 8X Oversampling Digital Filter
 - High Performance
 - THD+N: -85dB
 - SNR: 93dB
 - Dynamic Range: 93dB
- **SPECIAL FEATURES**
 - Digital De-emphasis
 - Power Down: ADC/DAC Independent
- **SAMPLING RATE: Up to 48kHz**
- **SYSTEM CLOCK: 256f_s, 384f_s, 512f_s**
- **SINGLE +3V POWER SUPPLY**
- **SMALL PACKAGE: 24-Lead TSSOP**

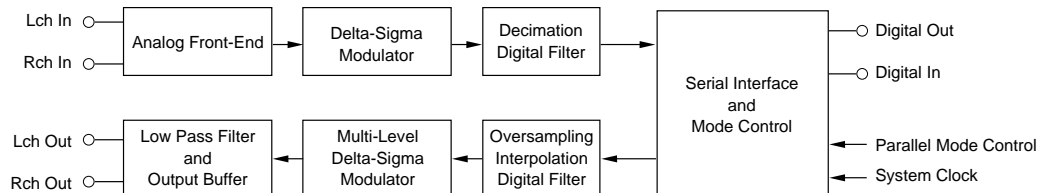
DESCRIPTION

The PCM3006 is a low cost single chip stereo audio CODEC (analog-to-digital and digital-to-analog converters) with single-ended analog voltage input and output.

Both ADCs and DACs employ delta-sigma modulation with 64X oversampling. The ADCs include a digital decimation filter, and the DACs include an 8X oversampling digital interpolation filter. The DACs also include a de-emphasis function. PCM3006 operates with 16-bit, left-justified for ADC, right-justified for DAC data formats.

PCM3006 provides a Power-Down Mode that operates on the ADCs and DACs independently.

Fabricated on a highly advanced 0.6 μ s CMOS process, PCM3006 is suitable for a wide variety of cost-sensitive consumer applications where good performance is required. Applications include sampling keyboards, digital mixers, effects processors, hard-disk recorders, data recorders and digital video cameras.



International Airport Industrial Park • Mailing Address: PO Box 11400, Tucson, AZ 85734 • Street Address: 6730 S. Tucson Blvd., Tucson, AZ 85706 • Tel: (520) 746-1111 • Twx: 910-952-1111
Internet: <http://www.burr-brown.com/> • FAXLine: (800) 548-6133 (US/Canada Only) • Cable: BBRCORP • Telex: 066-6491 • FAX: (520) 889-1510 • Immediate Product Info: (800) 548-6132

SPECIFICATIONS

All specifications at +25°C, $V_{DD} = V_{CC} = 3.0V$, $f_s = 44.1kHz$, $SYSCLK = 384f_s$, and 16-bit data, unless otherwise noted.

| PARAMETER | CONDITIONS | PCM3006T | | | UNITS |
|--|--|----------------|---------------|----------------|---------------|
| | | MIN | TYP | MAX | |
| DIGITAL INPUT/OUTPUT | | | | | |
| Input Logic | | | | | |
| Input Logic Level: $V_{IH}^{(1)}$ | | 0.7 x V_{DD} | | | VDC |
| $V_{IL}^{(1)}$ | | | | 0.3 x V_{DD} | VDC |
| Input Logic Current: $I_{IN}^{(2)}$ | | | | ±1 | µA |
| Input Logic Current: $I_{IN}^{(3)}$ | | | | 100 | µA |
| Output Logic | | | | | |
| Output Logic Level: $V_{OH}^{(4)}$ | $I_{OUT} = -1mA$ | $V_{DD} - 0.3$ | | | VDC |
| $V_{OL}^{(4)}$ | $I_{OUT} = +1mA$ | | | 0.3 | VDC |
| CLOCK FREQUENCY | | | | | |
| Sampling Frequency (f_s) | | 32 | 44.1 | 48 | kHz |
| System Clock Frequency | 256 f_s | 8.1920 | 11.2896 | 12.2880 | MHz |
| | 384 f_s | 12.2880 | 16.9344 | 18.4320 | MHz |
| | 512 f_s | 16.3840 | 22.5792 | 24.5760 | MHz |
| ADC CHARACTERISTICS | | | | | |
| RESOLUTION | | 16 | | | Bits |
| DC ACCURACY | | | | | |
| Gain Mismatch Channel-to-Channel | | | ±1.0 | ±3.0 | % of FSR |
| Gain Error | | | ±2.0 | ±5.0 | % of FSR |
| Gain Drift | | | ±20 | | ppm of FSR/°C |
| Bipolar Zero Error | High-Pass Filter Disabled ⁽⁶⁾ | | ±1.7 | | % of FSR |
| Bipolar Zero Drift | High-Pass Filter Disabled ⁽⁶⁾ | | ±20 | | ppm of FSR/°C |
| DYNAMIC PERFORMANCE⁽⁵⁾ | | | | | |
| THD+N: $V_{IN} = -0.5dB$ | | | -84 | -77 | dB |
| $V_{IN} = -60dB$ | | | -26 | | dB |
| Dynamic Range | A-Weighted | 84 | 89 | | dB |
| Signal-to-Noise Ratio | A-Weighted | 84 | 89 | | dB |
| Channel Separation | | 82 | 86 | | dB |
| DIGITAL FILTER PERFORMANCE | | | | | |
| Passband | | | | 0.454 f_s | Hz |
| Stopband | | 0.583 f_s | | | Hz |
| Passband Ripple | | | | ±0.05 | dB |
| Stopband Attenuation | | -65 | | | dB |
| Delay Time | | | 17.4 f_s | | sec |
| HPF Frequency Response | -3dB | | 0.019 f_s | | mHz |
| ANALOG INPUT | | | | | |
| Voltage Range | | | 0.60 V_{CC} | | Vp-p |
| Center Voltage | | | 0.50 V_{CC} | | V |
| Input Impedance | | | 30 | | kΩ |
| Anti-Aliasing Filter Frequency Response | -3dB | | 150 | | kHz |
| DAC CHARACTERISTICS | | | | | |
| RESOLUTION | | 16 | | | Bits |
| DC ACCURACY | | | | | |
| Gain Mismatch Channel-to-Channel | | | ±1.0 | ±3 | % of FSR |
| Gain Error | | | ±1.0 | ±5 | % of FSR |
| Gain Drift | | | ±20 | | ppm of FSR/°C |
| Bipolar Zero Error | | | ±2.5 | | % of FSR |
| Bipolar Zero Drift | | | ±20 | | ppm of FSR/°C |
| DYNAMIC PERFORMANCE⁽⁶⁾ | | | | | |
| THD+N: $V_{OUT} = 0dB$ (Full Scale) | | | -85 | -77 | dB |
| $V_{OUT} = -60dB$ | | | -30 | | dB |
| Dynamic Range | EIAJ, A-Weighted | 86 | 93 | | dB |
| Signal-to-Noise Ratio | EIAJ, A-Weighted | 86 | 93 | | dB |
| Channel Separation | | 84 | 90 | | dB |

The information provided herein is believed to be reliable; however, BURR-BROWN assumes no responsibility for inaccuracies or omissions. BURR-BROWN assumes no responsibility for the use of this information, and all use of such information shall be entirely at the user's own risk. Prices and specifications are subject to change without notice. No patent rights or licenses to any of the circuits described herein are implied or granted to any third party. BURR-BROWN does not authorize or warrant any BURR-BROWN product for use in life support devices and/or systems.

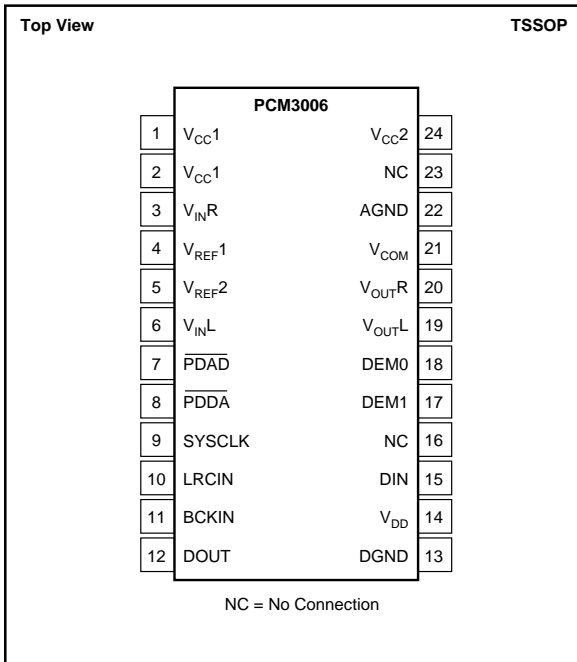
SPECIFICATIONS (CONT)

All specifications at +25°C, $V_{DD} = V_{CC} = 3.0V$, $f_S = 44.1kHz$, $SYSCLK = 384f_S$, CLKIO Input, 16-bit data, unless otherwise noted.

| PARAMETER | CONDITIONS | PCM3006T | | | UNITS |
|--------------------------------------|------------------------------|-------------|----------------|-------------|-------|
| | | MIN | TYP | MAX | |
| DAC CHARACTERISTICS (CONT) | | | | | |
| DIGITAL FILTER PERFORMANCE | | | | | |
| Passband | | | | 0.445 f_S | Hz |
| Stopband | | 0.555 f_S | | | Hz |
| Passband Ripple | | | | ±0.17 | dB |
| Stopband Attenuation | | -35 | | | dB |
| Delay Time | | | 11.1/ f_S | | sec |
| ANALOG OUTPUT | | | | | |
| Voltage Range | | | 0.6 x V_{CC} | | Vp-p |
| Center Voltage | | | 0.5 x V_{CC} | | VDC |
| Load Impedance | AC-Coupling | 10 | | | kΩ |
| LPF Frequency Response | f = 20kHz | | -0.16 | | dB |
| POWER SUPPLY REQUIREMENTS | | | | | |
| Voltage Range: V_{CC} , V_{DD} | -25°C to +85°C | 2.7 | 3.0 | 3.6 | VDC |
| | 0° C to +70°C ⁽⁷⁾ | 2.4 | 3.0 | 3.6 | VDC |
| Supply Current: ADC/DAC Operation | $V_{CC} = V_{DD} = 3.0V$ | | 18 | 24 | mA |
| ADC Operation | $V_{CC} = V_{DD} = 3.0V$ | | 12 | 16 | mA |
| DAC Operation | $V_{CC} = V_{DD} = 3.0V$ | | 7 | 10 | mA |
| ADC/DAC Power-Down ⁽⁸⁾ | $V_{CC} = V_{DD} = 3.0V$ | | 50 | | μA |
| Power Dissipation: ADC/DAC Operation | $V_{CC} = V_{DD} = 3.0V$ | | 54 | 72 | mW |
| ADC Operation | $V_{CC} = V_{DD} = 3.0V$ | | 36 | 48 | mW |
| DAC Operation | $V_{CC} = V_{DD} = 3.0V$ | | 21 | 30 | mW |
| ADC/DAC Power-Down ⁽⁸⁾ | $V_{CC} = V_{DD} = 3.0V$ | | 150 | | μW |
| TEMPERATURE RANGE | | | | | |
| Operation | | -25 | | +85 | °C |
| Storage | | -55 | | +125 | °C |
| Thermal Resistance, θ_{JA} | | | 100 | | °C/W |

NOTES: (1) Pins 7, 8, 9, 10, 11, 15, 17, 18: \overline{PDAD} , \overline{PDDA} , $SYSCLK$, $LRCIN$, $BCKIN$, DIN , $DEM1$, $DEM0$ (Schmitt-Trigger input with 100kΩ typical internal pull-down resistor). (2) Pins 9, 10, 11, 15: $SYSCLK$, $LRCIN$, $BCKIN$, DIN (Schmitt-Trigger input). (3) Pins 7, 8, 17, 18: \overline{PDAD} , \overline{PDDA} , $DEM1$, $DEM0$ (Schmitt-Trigger input, 100kΩ typical internal pull-down resistor). (4) Pin 12: $DOUT$. (5) $f_N = 1kHz$, using Audio Precision System II, rms mode with 20kHz LPF, 400Hz HPF used for performance calculation. (6) $f_{OUT} = 1kHz$, using Audio Precision System II, rms mode with 20kHz LPF, 400Hz HPF used for performance calculation. (7) Applies for voltages between 2.4V to 2.7V for 0°C to +70°C and 256 f_S /512 f_S operation (384 f_S not available). (8) $SYSCLK$, $BCKIN$, and $LRCIN$ are stopped.

PIN CONFIGURATION



PIN ASSIGNMENTS

| PIN | NAME | I/O | DESCRIPTION |
|-----|-------------------|-----|--|
| 1 | V _{CC1} | — | ADC Analog Power Supply |
| 2 | V _{CC1} | — | ADC Analog Power Supply |
| 3 | V _{INR} | IN | ADC Analog Input, Rch |
| 4 | V _{REF1} | — | ADC Reference, 1 |
| 5 | V _{REF2} | — | ADC Reference, 2 |
| 6 | V _{INL} | IN | ADC Analog Input, Lch |
| 7 | PDAD | IN | ADC Power Down, Active LOW ^(1, 2) |
| 8 | PDDA | IN | DAC Power Down, Active LOW ^(1, 2) |
| 9 | SYSCLK | IN | System Clock Input ⁽²⁾ |
| 10 | LRCIN | IN | Sample Rate Clock Input (f _S) ⁽²⁾ |
| 11 | BCKIN | IN | Bit Clock Input ⁽²⁾ |
| 12 | DOUT | OUT | Data Output |
| 13 | DGND | — | Digital Ground |
| 14 | V _{DD} | — | Digital Power Supply |
| 15 | DIN | IN | Data Input |
| 16 | NC | IN | No Connection |
| 17 | DEM1 | IN | De-emphasis Control ^(1, 2) |
| 18 | DEM0 | IN | De-emphasis Control 0 ^(1, 2) |
| 19 | V _{OUTL} | OUT | DAC Analog Output, Lch |
| 20 | V _{OUTR} | OUT | DAC Analog Output, Rch |
| 21 | V _{COM} | — | ADC/DAC Common |
| 22 | AGND | — | Analog Ground |
| 23 | NC | — | No Connection |
| 24 | V _{CC2} | — | DAC Analog Power Supply |

NOTES: (1) With 100kΩ typical internal pull-down resistor. (2) Schmitt-Trigger input.

ABSOLUTE MAXIMUM RATINGS

| | |
|--|--|
| Supply Voltage | +6.5V |
| +V _{DD} , +V _{CC1} , +V _{CC2} | +6.5V |
| Supply Voltage Differences | ±0.1V |
| GND Voltage Differences | ±0.1V |
| Digital Input Voltage | -0.3 to V _{DD} + 0.3V |
| Analog Input Voltage | -0.3 to V _{CC1} , V _{CC2} + 0.3V |
| Power Dissipation | 300mW |
| Input Current | ±10mA |
| Operating Temperature Range | -25°C to +85°C |
| Storage Temperature | -55°C to +125°C |
| Lead Temperature (soldering, 5s) | +260°C |
| (reflow, 10s) | +235°C |

PACKAGE INFORMATION

| PRODUCT | PACKAGE | PACKAGE DRAWING NUMBER ⁽¹⁾ |
|----------|---------------|---------------------------------------|
| PCM3006T | 24-Lead TSSOP | 350 |

NOTE: (1) For detailed drawing and dimension table, please see end of data sheet, or Appendix C of Burr-Brown IC Data Book.

ELECTROSTATIC DISCHARGE SENSITIVITY

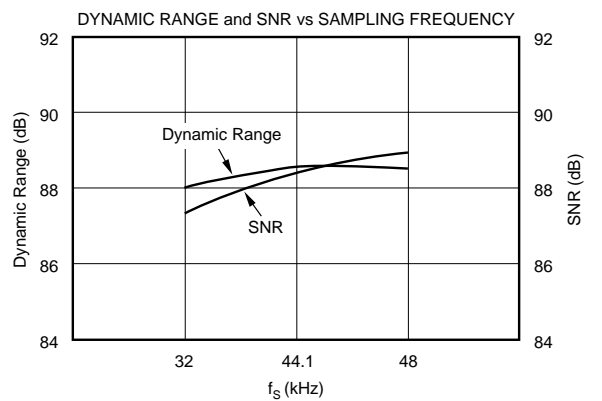
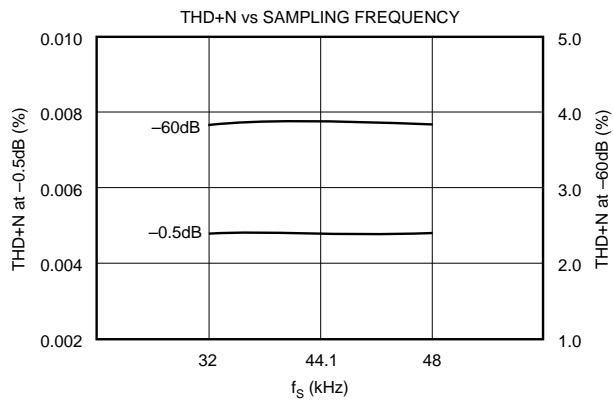
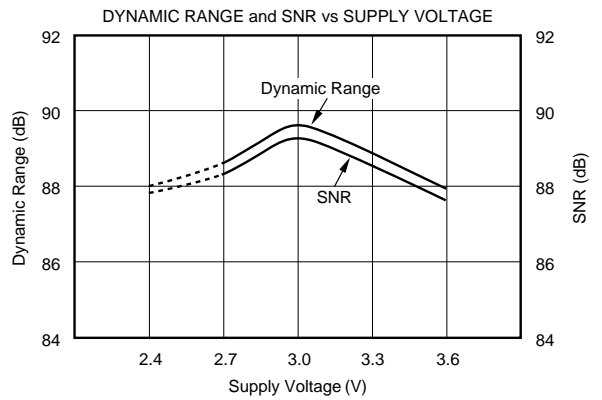
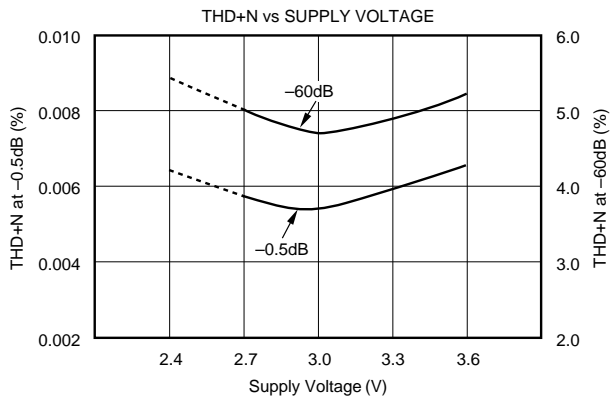
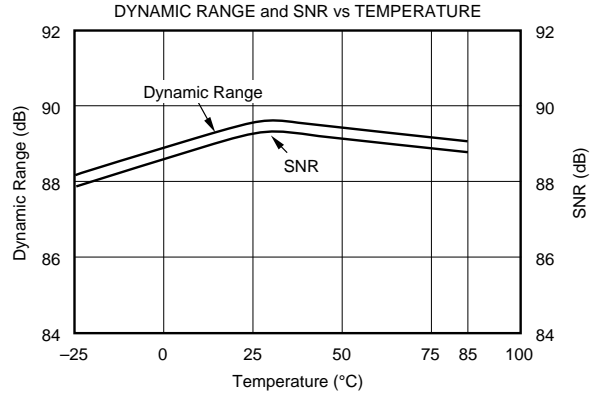
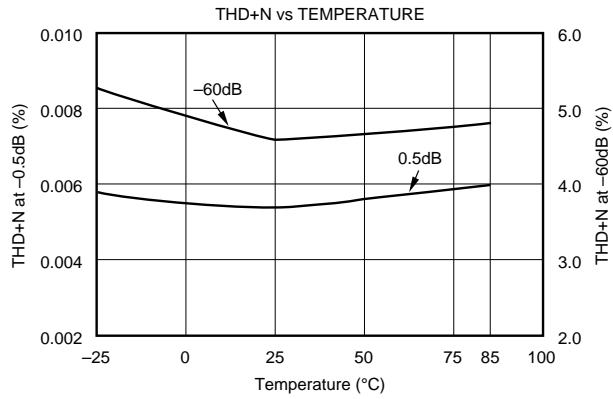
This integrated circuit can be damaged by ESD. Burr-Brown recommends that all integrated circuits be handled with appropriate precautions. Failure to observe proper handling and installation procedures can cause damage.

ESD damage can range from subtle performance degradation to complete device failure. Precision integrated circuits may be more susceptible to damage because very small parametric changes could cause the device not to meet its published specifications.

TYPICAL PERFORMANCE CURVES

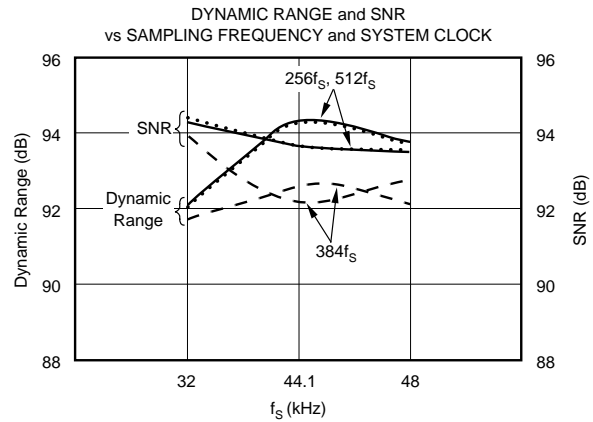
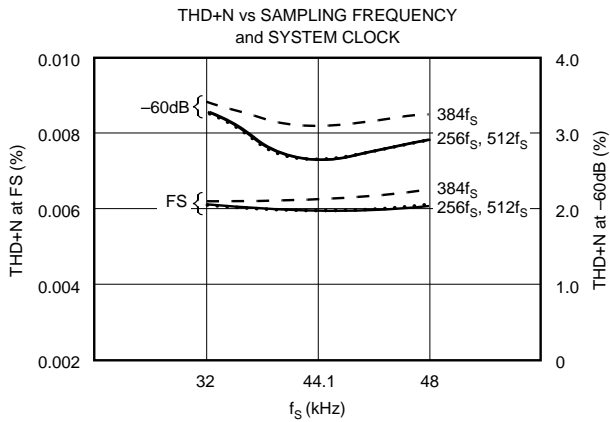
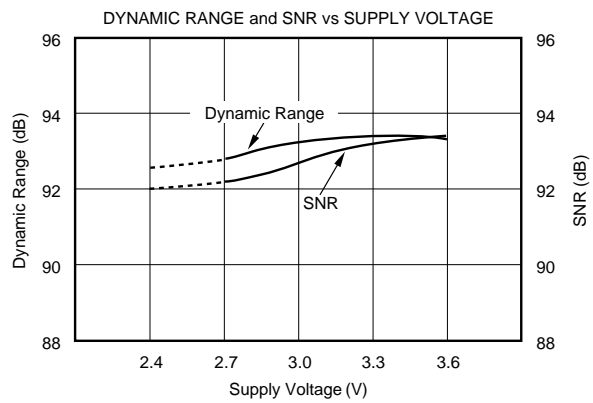
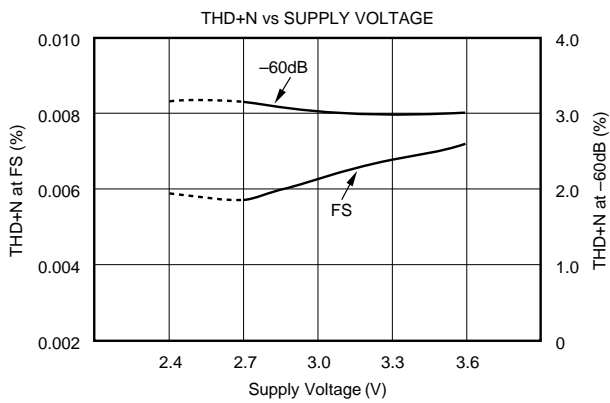
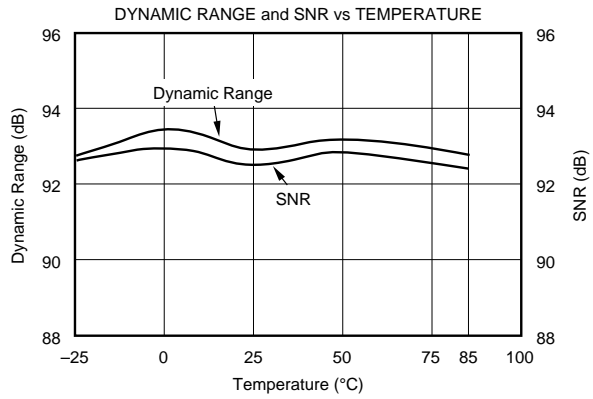
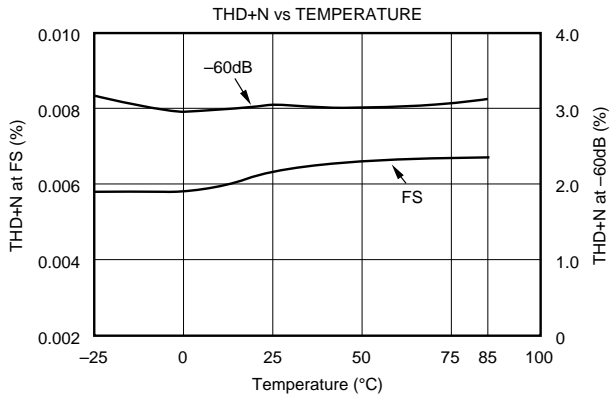
ADC SECTION

At $T_A = +25^\circ\text{C}$, $V_{CC} = V_{DD} = 3.0\text{V}$, $f_S = 44.1\text{kHz}$, $f_{\text{SYSCLK}} = 384f_S$, and $f_{\text{SIGNAL}} = 1\text{kHz}$, unless otherwise noted.



TYPICAL PERFORMANCE CURVES DAC SECTION

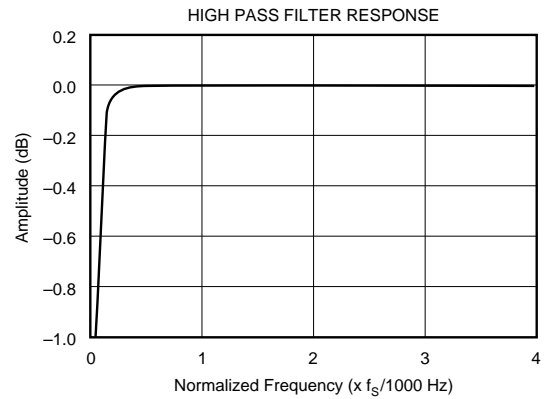
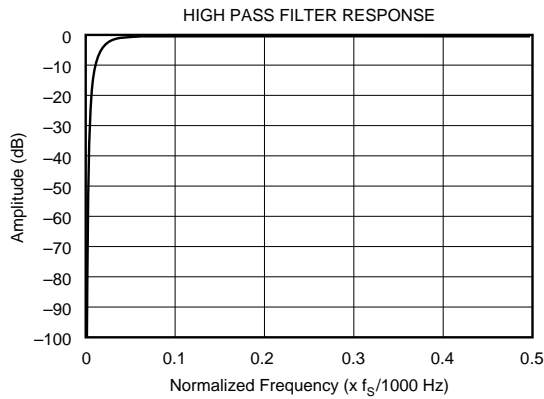
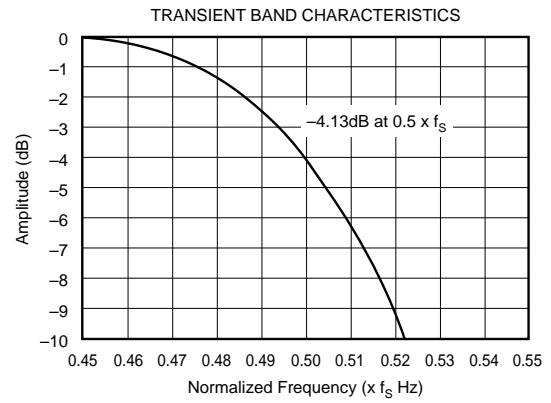
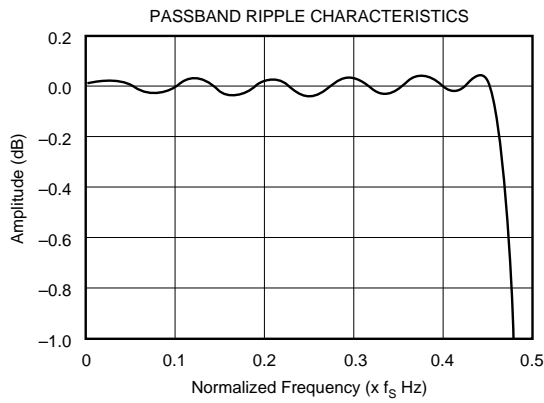
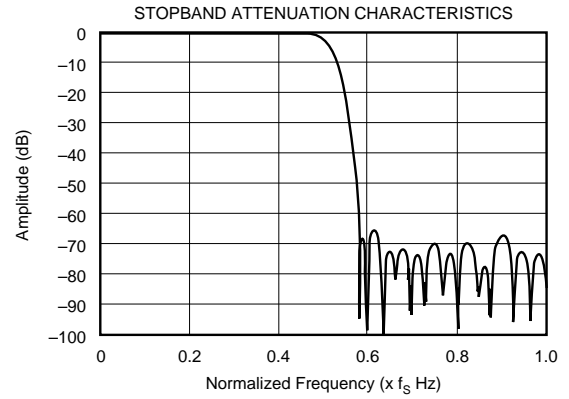
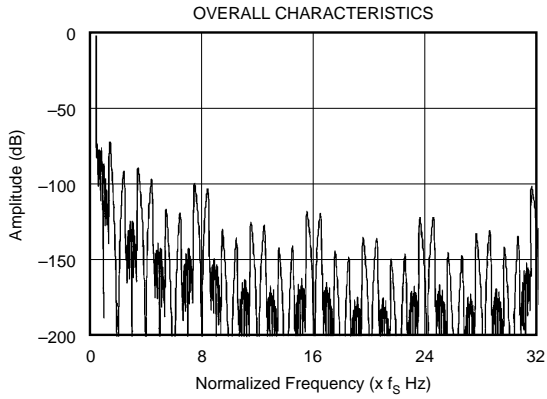
At $T_A = +25^\circ\text{C}$, $V_{CC} = V_{DD} = 3.0\text{V}$, $f_S = 44.1\text{kHz}$, $f_{\text{SYSCLK}} = 384f_S$, and $f_{\text{SIGNAL}} = 1\text{kHz}$, unless otherwise noted.



TYPICAL PERFORMANCE CURVES

At $T_A = +25^\circ\text{C}$, $V_{CC} = V_{DD} = 3.0\text{V}$, $f_S = 44.1\text{kHz}$, and $f_{\text{SYSCLK}} = 384f_S$, unless otherwise noted.

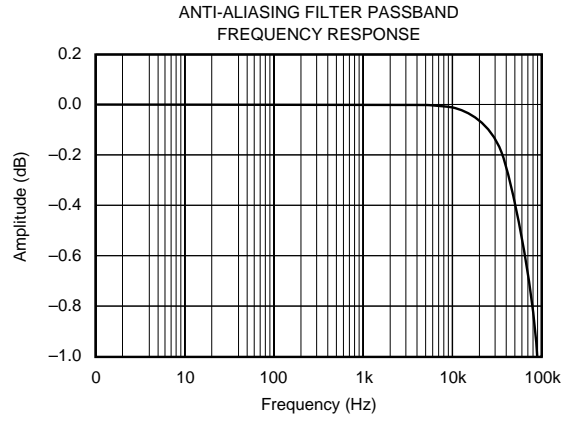
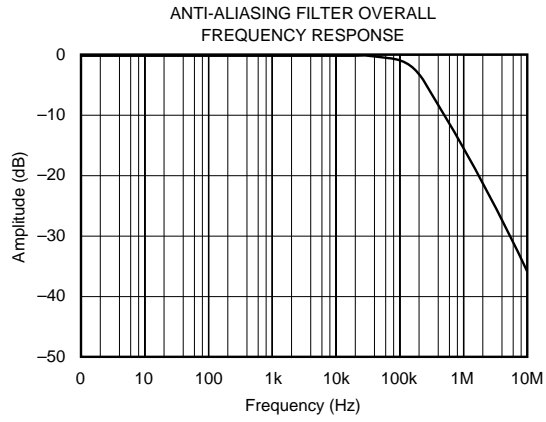
ADC DIGITAL FILTER



TYPICAL PERFORMANCE CURVES

At $T_A = +25^\circ\text{C}$, $V_{CC} = V_{DD} = 3.0\text{V}$, $f_S = 44.1\text{kHz}$, and $f_{\text{SYSCLK}} = 384f_S$, unless otherwise noted.

ANTI-ALIASING FILTER

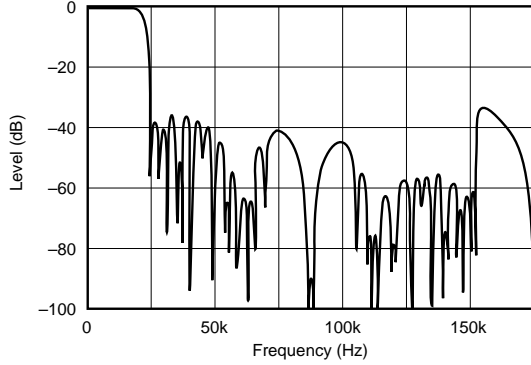


TYPICAL PERFORMANCE CURVES

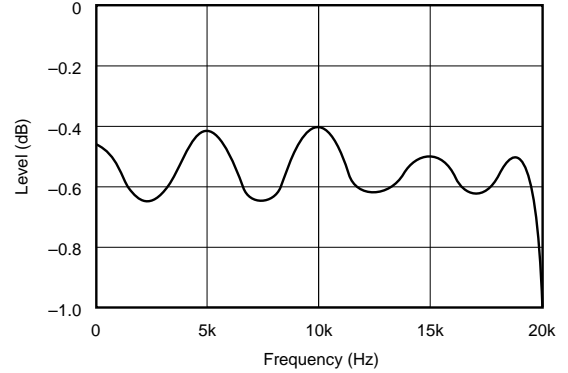
At $T_A = +25^\circ\text{C}$, $V_{CC} = V_{DD} = 3.0\text{V}$, $f_S = 44.1\text{kHz}$, and $f_{\text{SYSCLK}} = 384f_S$, unless otherwise noted.

DAC DIGITAL FILTER

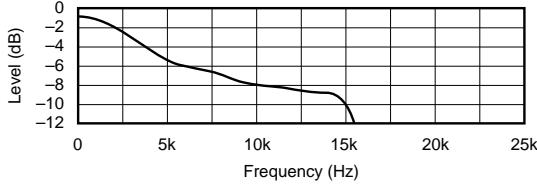
OVERALL FREQUENCY CHARACTERISTICS
($f_S = 44.1\text{kHz}$)



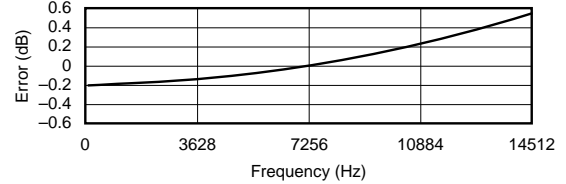
PASSBAND RIPPLE CHARACTERISTICS ($f_S = 44.1\text{kHz}$)



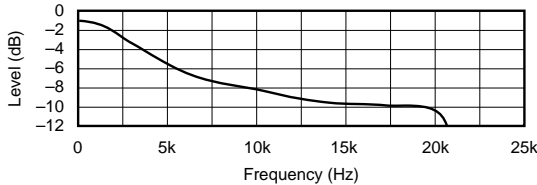
DE-EMPHASIS FREQUENCY RESPONSE (32kHz)



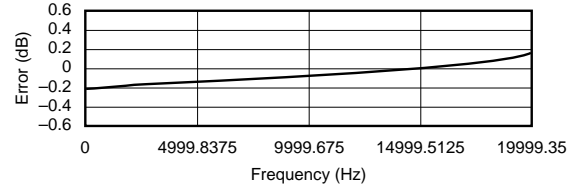
DE-EMPHASIS ERROR (32kHz)



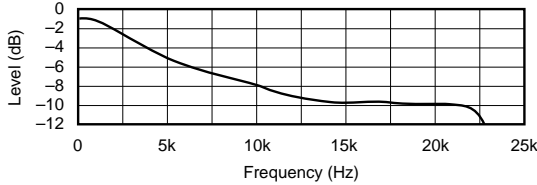
DE-EMPHASIS FREQUENCY RESPONSE (44.1kHz)



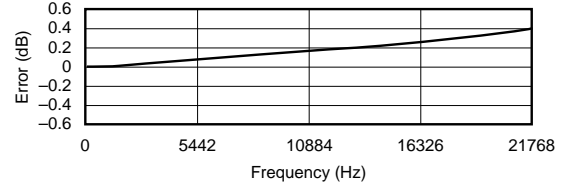
DE-EMPHASIS ERROR (44.1kHz)



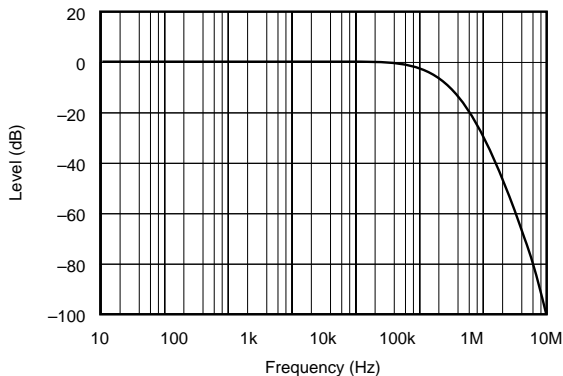
DE-EMPHASIS FREQUENCY RESPONSE (48kHz)



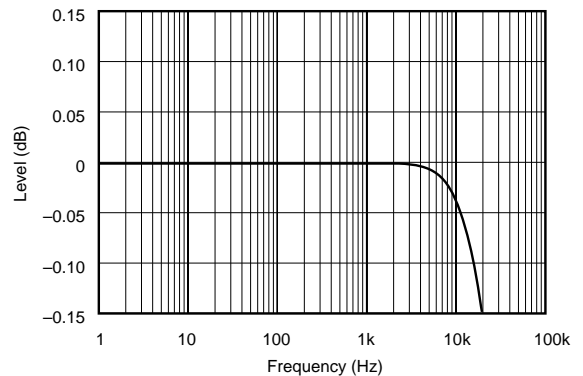
DE-EMPHASIS ERROR (48kHz)



INTERNAL ANALOG FILTER FREQUENCY RESPONSE
(10Hz-10MHz)



INTERNAL ANALOG FILTER FREQUENCY RESPONSE
(1Hz-20kHz)



BLOCK DIAGRAM

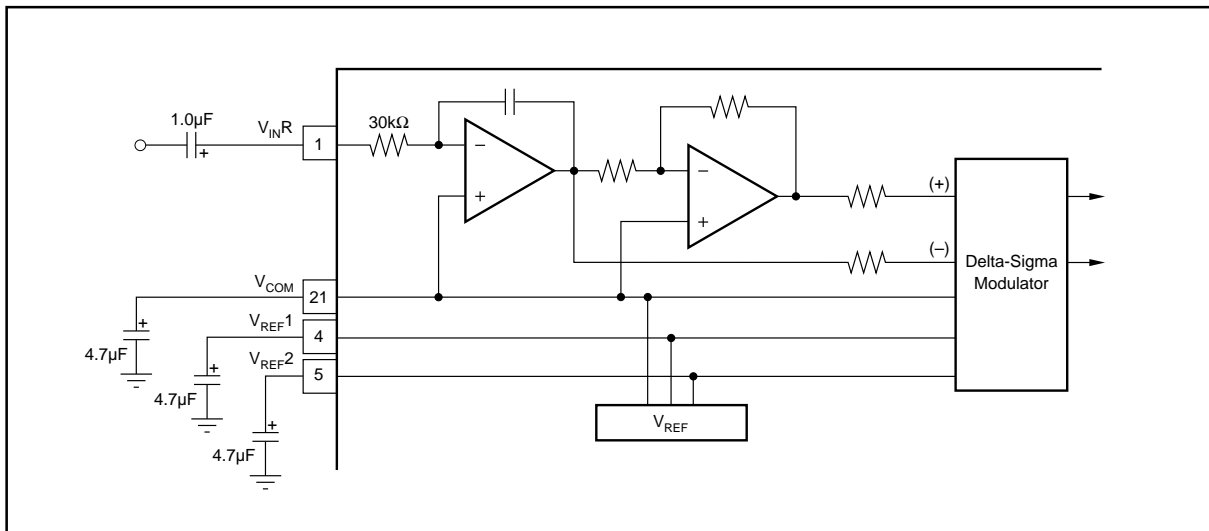
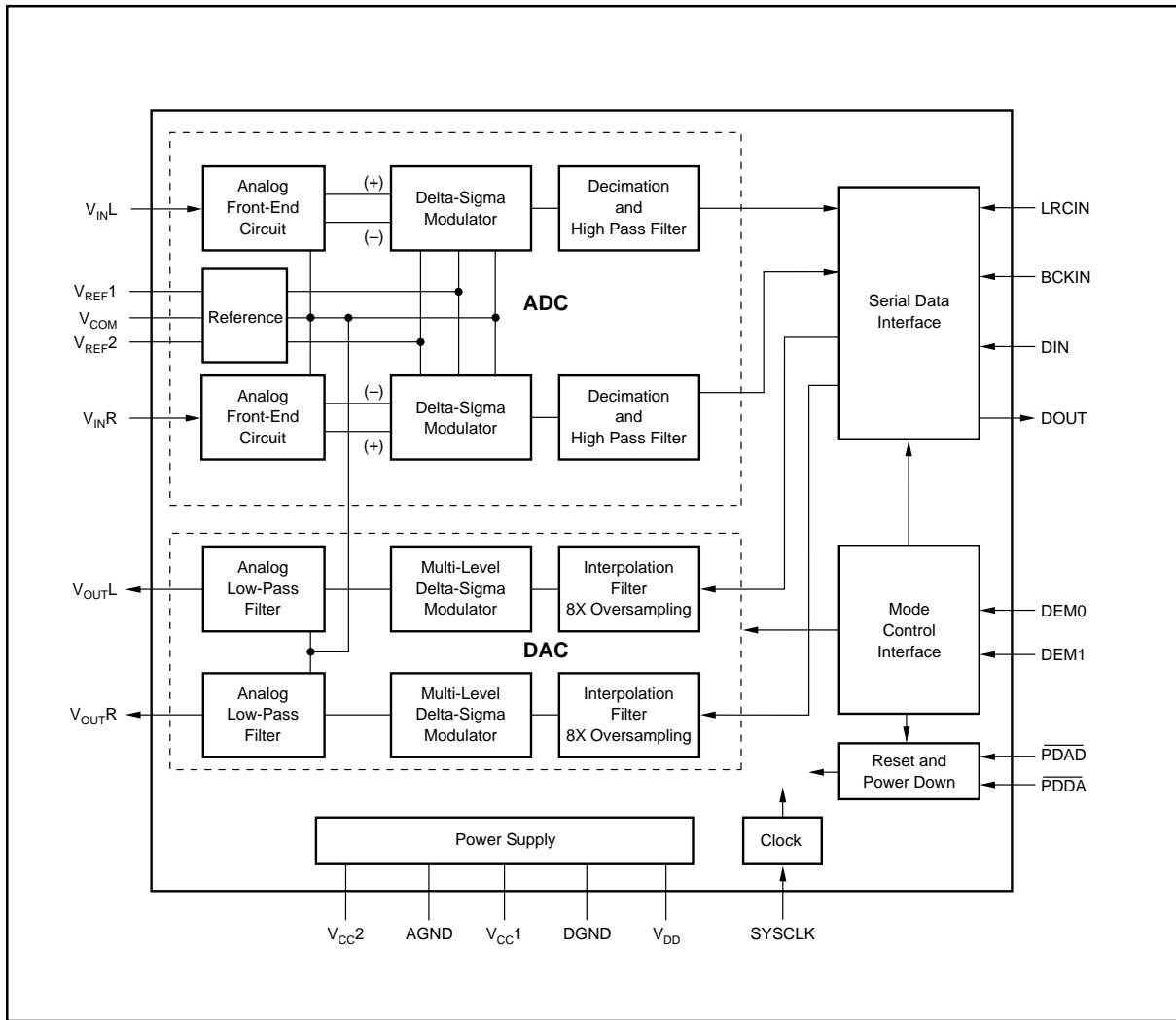


FIGURE 1. Analog Front-End (Single-Channel).

PCM AUDIO INTERFACE

The four-wire digital audio interface for PCM3006 is comprised of: LRCIN (pin 10), BCKIN (pin 11), DIN (pin 15), and DOUT (pin 12). PCM3006 accepts 16-bit Most Significant Bit (MSB) First. Figures 2 and 3 illustrate audio data input/output format and timing.

PCM3006 can accept 32-, 48-, or 64-bit clocks (BCKIN) in one clock of LRCIN.

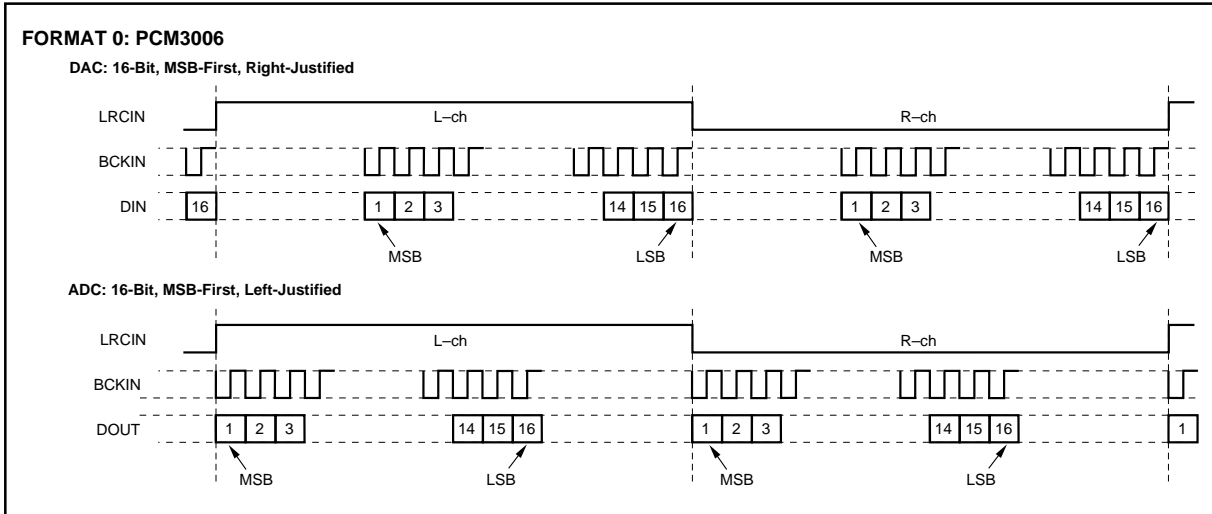


FIGURE 2. Audio Data Input/Output Format.

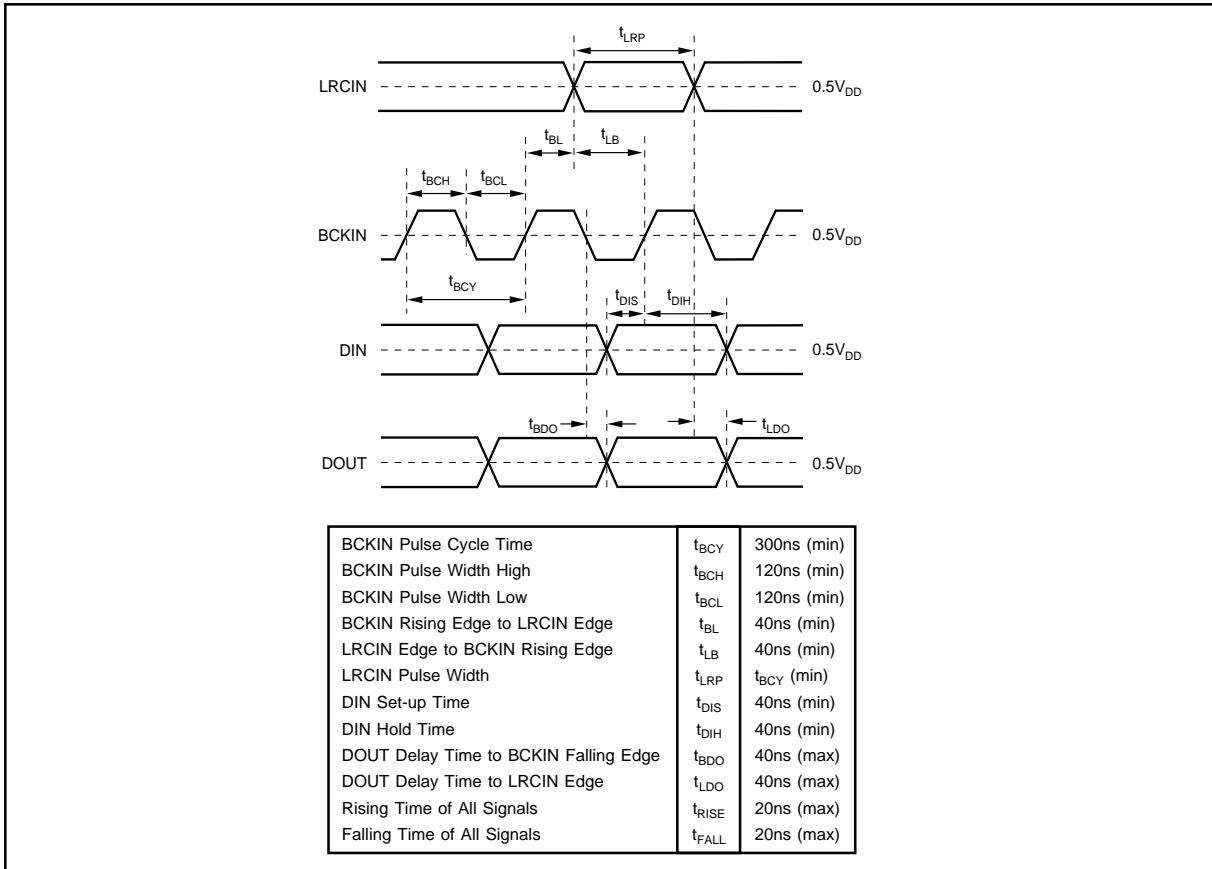


FIGURE 3. Audio Data Input/Output Timing.

SYSTEM CLOCK

The system clock for PCM3006 must be either $256f_s$, $384f_s$ or $512f_s$, where f_s is the audio sampling frequency. The system clock should be provided to SYSCLK (pin 9).

PCM3006 also has a system clock detection circuit which automatically senses if the system clock is operating at $256f_s$, $384f_s$, or $512f_s$. When $384f_s$ or $512f_s$ system clock is used, the clock is divided into $256f_s$ automatically. The $256f_s$ clock is used to operate the digital filter and the delta-sigma modulator.

Table I lists the relationship of typical sampling frequencies and system clock frequencies and Figure 4 illustrates the system clock timing.

| SAMPLING RATE FREQUENCY (kHz) | SYSTEM CLOCK FREQUENCY (MHz) | | |
|-------------------------------|------------------------------|-------------------|-------------------|
| | 256f _s | 384f _s | 512f _s |
| 32 | 8.1920 | 12.2880 | 16.3840 |
| 44.1 | 11.2896 | 16.9340 | 22.5792 |
| 48 | 12.2880 | 18.4320 | 24.5760 |

TABLE I. System Clock Frequencies.

RESET

PCM3006 has an internal Power-On Reset circuit, as well as an external forced reset. The internal Power-On Reset initializes (resets) when the supply voltage $V_{DD} > 2.0V$ (typ). External forced reset occurs when $\overline{PDAD} = \text{LOW}$ or $\overline{PDDA} = \text{LOW}$. Figure 5 shows the internal Power-On reset timing and Figure 6 shows the external forced reset timing by \overline{PDAD} or \overline{PDDA} . During external forced reset, the outputs of the DAC are forced to GND (see Figure 7). The analog outputs are then forced to $0.5V_{CC}$ during $t_{DACDLY1}$ ($16384/f_s$) after reset removal. The outputs of ADC are also invalid, digital outputs are forced to all zero during $t_{ADC DLY1}$ ($18432/f_s$) after reset removal.

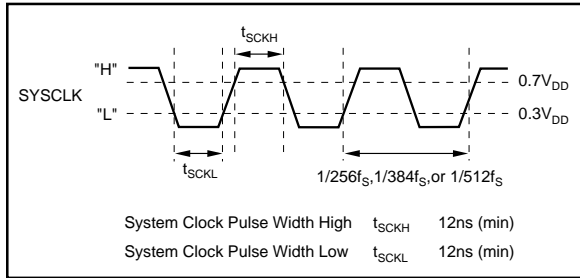


FIGURE 4. System Clock Timing.

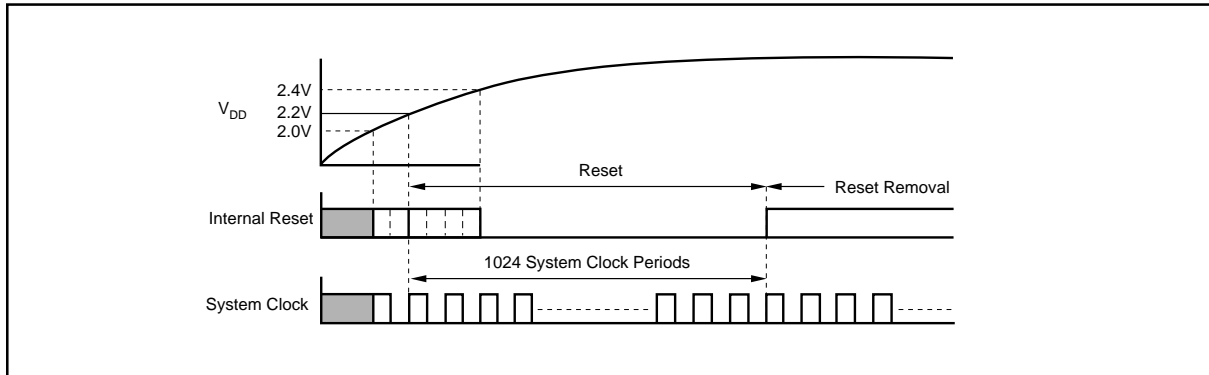


FIGURE 5. Internal Power-On Reset Timing.

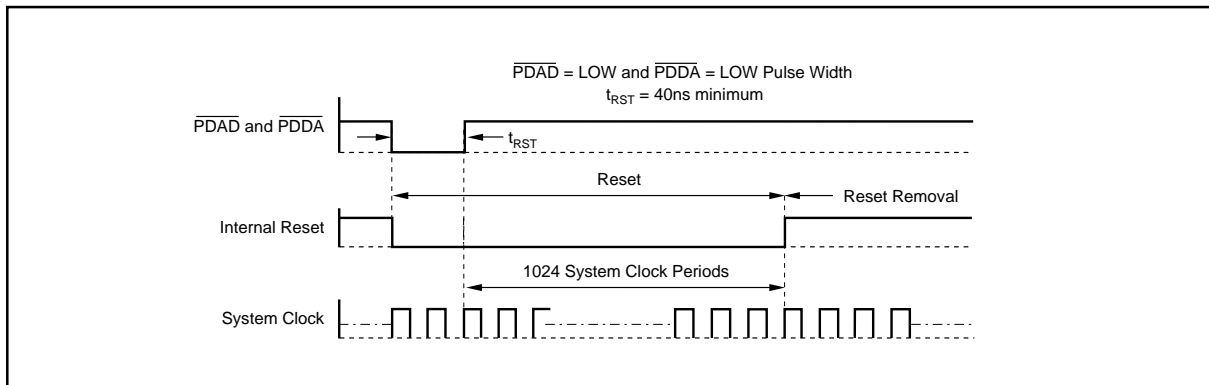


FIGURE 6. External Forced Reset Timing.

SYNCHRONIZATION WITH THE DIGITAL AUDIO SYSTEM

PCM3006 operates with LRCIN synchronized to the system clock. PCM3006 does not require any specific phase relationship between LRCIN and the system clock, but there must be synchronization. If the synchronization between the system clock and LRCIN changes more than 6 bit clocks (BCKIN) during one sample (LRCIN) period because of phase jitter on LRCIN, internal operation of the DAC will stop within $1/f_s$, and the analog output will be forced to bipolar zero ($0.5V_{CC}$) until the system clock is re-synchronized to LRCIN followed

by $t_{DACDLY2}$ delay time. Internal operation of the ADC will also stop within $1/f_s$, and the digital output codes will be set to bipolar zero until re-synchronization occurs followed by $t_{ADCDLY2}$ delay time. If LRCIN is synchronized with 5 or less bit clocks to the system clock, operation will be normal. Figures 7 and 8 illustrate the effects on the output when synchronization is lost. Before the outputs are forced to bipolar zero ($<1/f_s$ seconds), the outputs are not defined and some noise may occur. During the transitions between normal data and undefined states, the output has discontinuities, which will cause output noise.

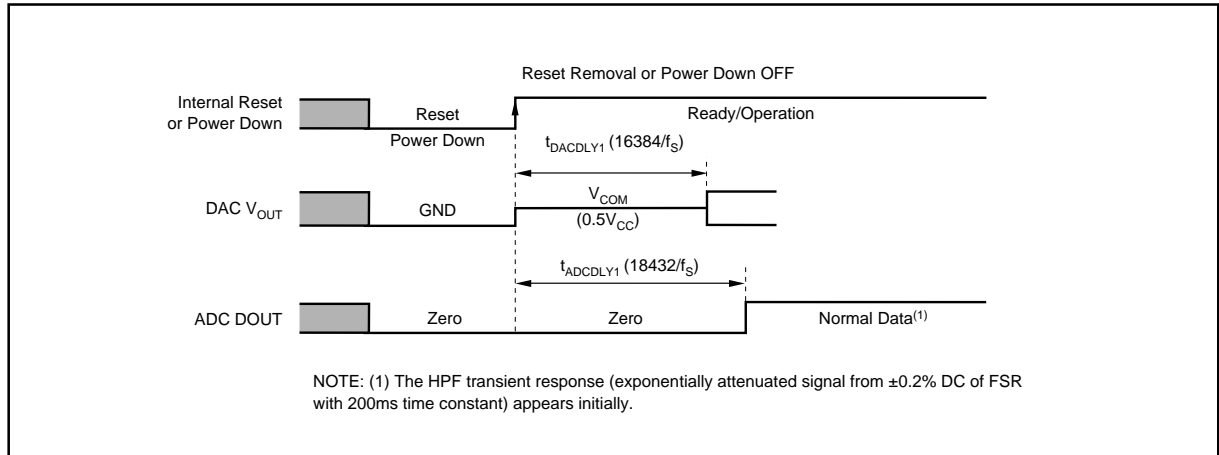


FIGURE 7. DAC Output and ADC Output for Reset and Power Down.

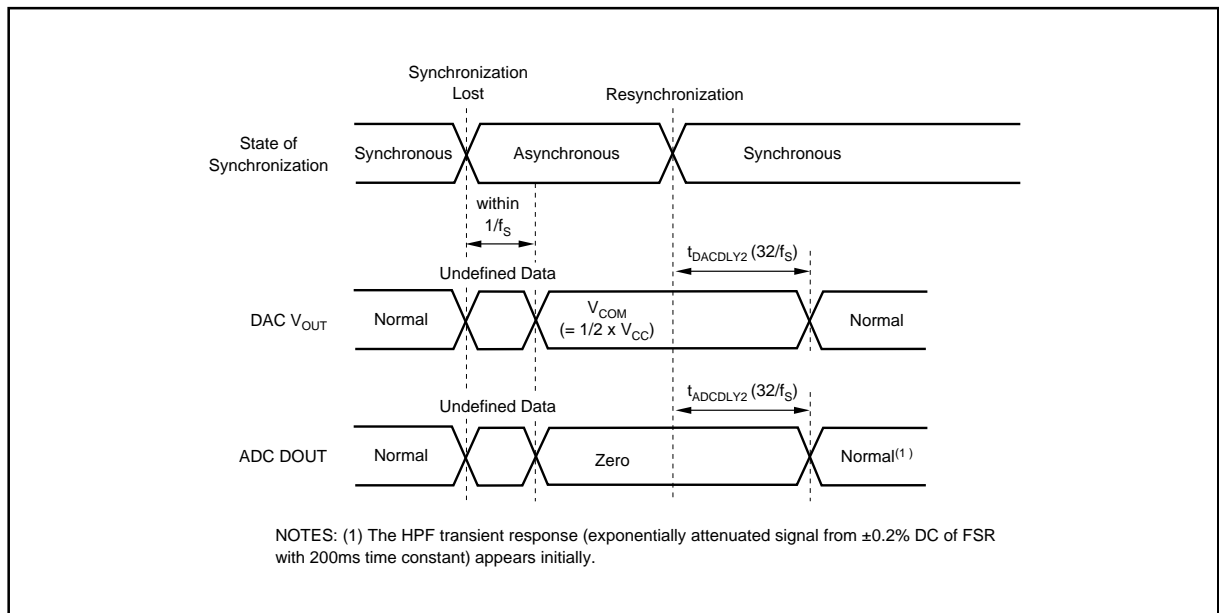


FIGURE 8. DAC Output and ADC Output for Loss of Synchronization.

OPERATIONAL CONTROL

PCM3006 has hardware functional control using $\overline{\text{PDAD}}$ (pin 7) and $\overline{\text{PDDA}}$ (pin 8) for Power-Down Control and DEM0 (pin 18) and DEM1 (pin 17) for de-emphasis.

$\overline{\text{PDAD}}$: ADC Power-Down Control (Pin 7)

This pin places the ADC section in the lowest power consumption mode. The ADC operation is stopped by cutting the supply current to the ADC section, and DOUT is fixed to zero during ADC Power-Down Mode enable. Figure 7 illustrates the ADC DOUT response for ADC power-down ON/OFF. This does not affect the DAC operation.

| $\overline{\text{PDAD}}$ | POWER-DOWN |
|--------------------------|------------------------------|
| Low | ADC Power-Down Mode Enabled |
| High | ADC Power-Down Mode Disabled |

$\overline{\text{PDDA}}$: DAC Power-Down Control (Pin 8)

This pin places the DAC section in the lowest power consumption mode. The DAC operation is stopped by cutting the supply current to the DAC section and V_{OUT} is fixed to GND during DAC Power-Down Mode enable. Figure 8 illustrates the DAC V_{OUT} response for DAC Power-Down ON/OFF. This does not affect the ADC operation.

| $\overline{\text{PDDA}}$ | POWER-DOWN |
|--------------------------|-----------------------------|
| Low | DAC Power-Down Mode Enabled |
| High | DAC Power-Down Mode Disable |

DEM1, 0: DAC De-emphasis Control (Pin 17 and Pin 18)

These pins select the de-emphasis mode as shown below:

| DEM1 | DEM0 | |
|------|------|------------------------|
| Low | Low | De-emphasis 44.1kHz ON |
| Low | High | De-emphasis OFF |
| High | Low | De-emphasis 48kHz ON |
| High | High | De-emphasis 32kHz ON |

APPLICATION AND LAYOUT CONSIDERATIONS

POWER SUPPLY BYPASSING

The digital and analog power supply lines to PCM3006 should be bypassed to the corresponding ground pins with both 0.1 μF ceramic and 10 μF tantalum capacitors as close to the device pins as possible. Although PCM3006 has three power supply lines to optimize dynamic performance, the use of one common power supply is generally recommended to avoid unexpected latch-up or pop noise due to power supply sequencing problems. If separate power supplies are used, back-to-back diodes are recommended to avoid latch-up problems.

GROUNDING

In order to optimize the dynamic performance of PCM3006, the analog and digital grounds are not connected internally. The PCM3006 performance is optimized with a single ground plane for all returns. It is recommended to tie all PCM3006 ground pins with low impedance connections to the analog ground plane. PCM3006 should reside entirely over this plane to avoid coupling high frequency digital switching noise into the analog ground plane.

VOLTAGE INPUT PINS

A tantalum capacitor, between 1 μF and 10 μF , is recommended as an AC-coupling capacitor at the inputs. Combined with the 30k Ω characteristic input impedance, a 1.0 μF coupling capacitor will establish a 5.3Hz cut-off frequency for blocking DC. The input voltage range can be increased by adding a series resistor on the analog input line. This series resistor, when combined with the 30k Ω input impedance, creates a voltage divider and enables larger input ranges.

V_{REF} Pins

A 4.7 μF to 10 μF tantalum capacitor is recommended between $V_{\text{REF}1}$, $V_{\text{REF}2}$, and AGND to ensure low source impedance for the ADC's references. These capacitors should be located as close as possible to the reference pins to reduce dynamic errors on the ADC reference.

V_{COM} Pin

A 4.7 μF to 10 μF tantalum capacitor is recommended between V_{COM} and AGND to insure low source impedance of the ADC and DAC common voltage. This capacitor should be located as close as possible to the V_{COM} pin to reduce dynamic errors on the DAC common.

SYSTEM CLOCK

The quality of the system clock can influence dynamic performance of both the ADC and DAC in the PCM3006. The duty cycle and jitter at the system clock input pin must be carefully managed. When power is supplied to the part, the system clock, bit clock (BCKIN) and a word clock (LCRIN) should also be supplied simultaneously. Failure to supply the audio clocks will result in a power dissipation increase of up to three times normal dissipation and may degrade long term reliability if the maximum power dissipation limit is exceeded.

RST CONTROL

If the capacitance between V_{REF} and V_{COM} exceeds 2.2 μF , an external reset control delay time circuit must be used.

EXTERNAL MUTE CONTROL

Click noises are caused by DC level changes at the DAC output. To avoid any click noises going in and out of Power-Down Mode, an External Mute Control is generally required. The recommended control sequence is as follows: External Mute ON, CODEC Power-Down OFF, and then, External Mute OFF.

NOTE: If SYSCLK is stopped when the PCM3006 is in Power-Down Mode, the device is internally reset.

THEORY OF OPERATION

ADC SECTION

The PCM3006 ADC consists of two reference circuits, a stereo single-to-differential converter, a fully differential 5th-level delta-sigma modulator, a decimation filter (including digital high pass), and a serial interface circuit. The Block Diagram in this data sheet illustrates the architecture of the ADC section, Figure 1 shows the single-to-differential converter, and Figure 10 illustrates the architecture of the 5-level delta-sigma modulator and transfer functions.

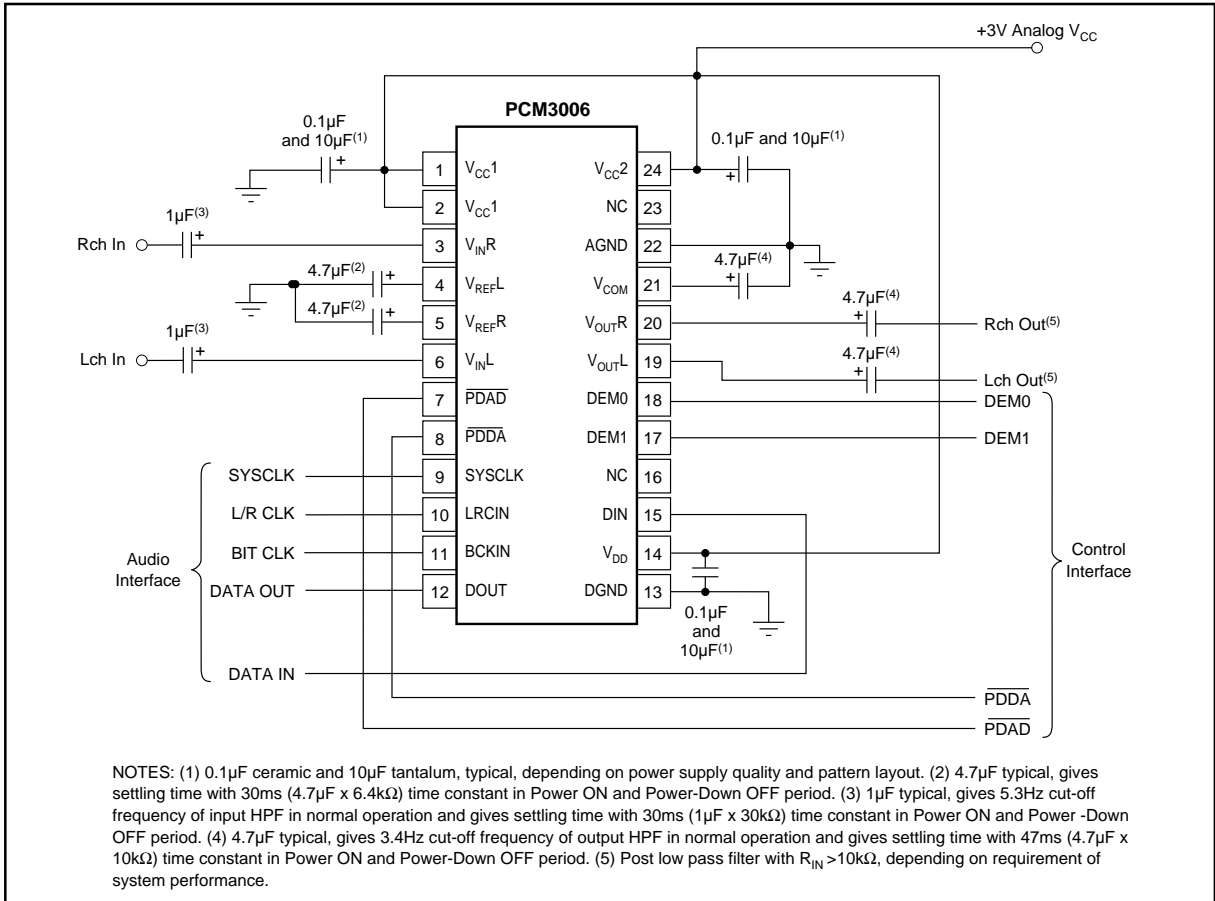


FIGURE 9. Typical Connection Diagram for PCM3006.

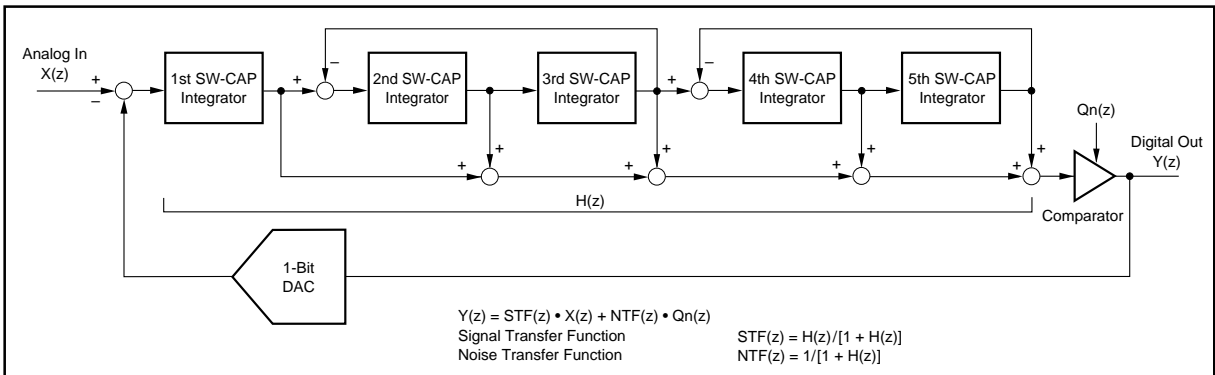


FIGURE 10. Simplified 5-Level Delta-Sigma Modulator.

An internal reference circuit with three external capacitors provides all reference voltages which are required by the ADC, which defines the full-scale range for the converter. The internal single-to-differential voltage converter saves the design, space and extra parts needed for external circuitry required by many delta-sigma converters. The internal full-differential signal processing architecture provides a wide dynamic range and excellent power supply rejection performance. The input signal is sampled at 64X oversampling rate, eliminating the need for a sample-and-hold circuit, and simplifying anti-alias filtering requirements. The 5-level delta-sigma noise shaper consists of five integrators which use a switched-capacitor topology, a comparator and a feedback loop consisting of a one-bit DAC. The delta-sigma modulator shapes the quantization noise, shifting it out of the audio band in the frequency domain. The high order of the modulator enables it to randomize the modulator outputs, reducing idle tone levels.

The $64f_s$ one-bit data stream from the modulator is converted to $1f_s$ 16-bit data words by the decimation filter, which also acts as a low pass filter to remove the shaped quantization noise. The DC components are removed by a high pass filter function contained within the decimation filter.

THEORY OF OPERATION

DAC SECTION

The delta-sigma DAC section of PCM3006 is based on a 5-level amplitude quantizer and a 3rd-order noise shaper. This section converts the oversampled input data to 5-level delta-sigma format. A block diagram of the 5-level delta-sigma modulator is shown in Figure 11. This 5-level delta-sigma modulator has the advantage of stability and clock jitter sensitivity over the typical one-bit (2 level) delta-sigma modulator. The combined oversampling rate of the delta-sigma modulator and the internal 8X interpolation filter is $64f_s$ for a $256f_s$ system clock. The theoretical quantization noise performance of the 5-level delta-sigma modulator is shown in Figure 12.

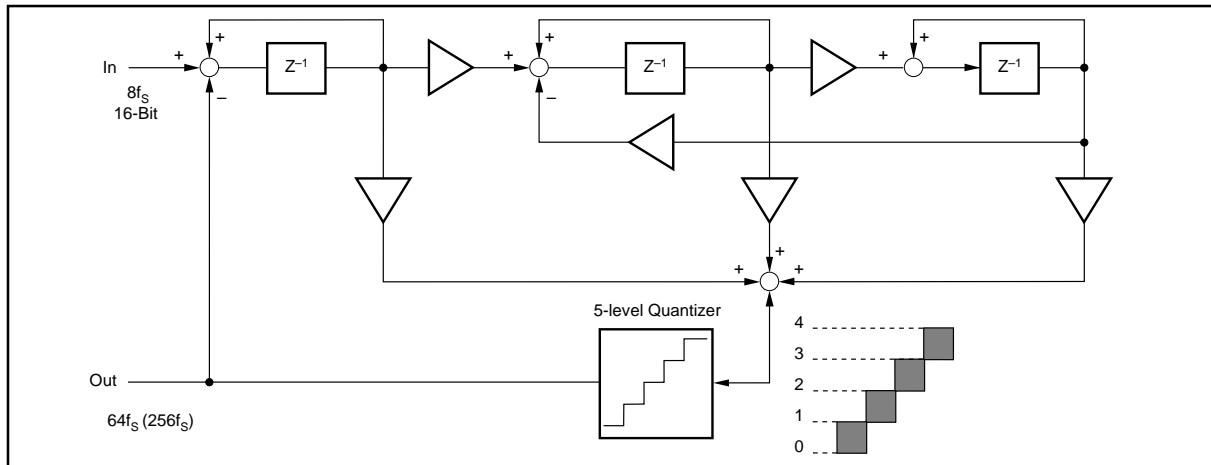


FIGURE 11. 5-Level $\Delta\Sigma$ Modulator Block Diagram.

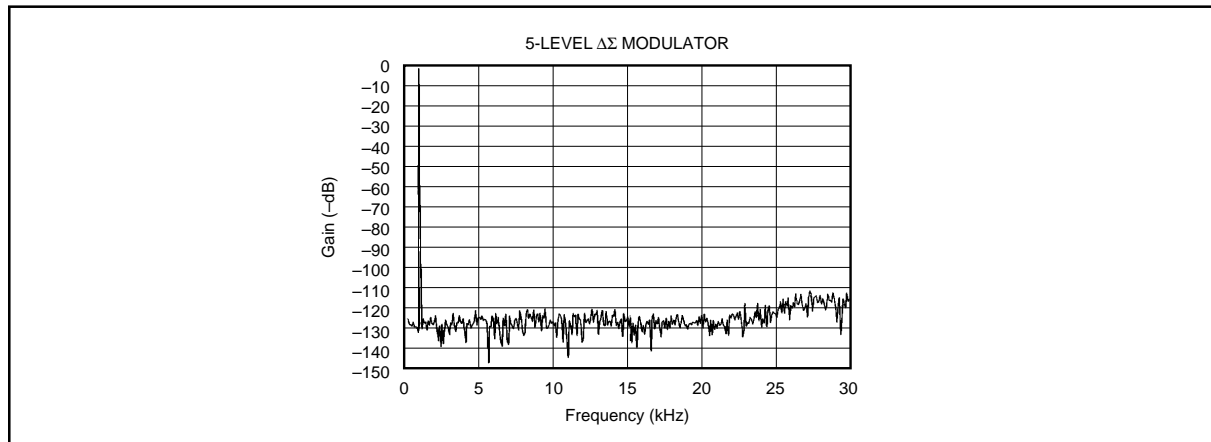


FIGURE 12. Quantization Noise Spectrum.

PACKAGING INFORMATION

| ORDERABLE DEVICE | STATUS(1) | PACKAGE TYPE | PACKAGE DRAWING | PINS | PACKAGE QTY |
|------------------|-----------|--------------|-----------------|------|-------------|
| PCM3006T | ACTIVE | SSOP | DCV | 24 | 128 |
| PCM3006T/2K | ACTIVE | SSOP | DCV | 24 | 2000 |

(1) The marketing status values are defined as follows:

ACTIVE: Product device recommended for new designs.

LIFEBUY: TI has announced that the device will be discontinued, and a lifetime-buy period is in effect.

NRND: Not recommended for new designs. Device is in production to support existing customers, but TI does not recommend using this part in a new design.

PREVIEW: Device has been announced but is not in production. Samples may or may not be available.

OBSOLETE: TI has discontinued the production of the device.

IMPORTANT NOTICE

Texas Instruments Incorporated and its subsidiaries (TI) reserve the right to make corrections, modifications, enhancements, improvements, and other changes to its products and services at any time and to discontinue any product or service without notice. Customers should obtain the latest relevant information before placing orders and should verify that such information is current and complete. All products are sold subject to TI's terms and conditions of sale supplied at the time of order acknowledgment.

TI warrants performance of its hardware products to the specifications applicable at the time of sale in accordance with TI's standard warranty. Testing and other quality control techniques are used to the extent TI deems necessary to support this warranty. Except where mandated by government requirements, testing of all parameters of each product is not necessarily performed.

TI assumes no liability for applications assistance or customer product design. Customers are responsible for their products and applications using TI components. To minimize the risks associated with customer products and applications, customers should provide adequate design and operating safeguards.

TI does not warrant or represent that any license, either express or implied, is granted under any TI patent right, copyright, mask work right, or other TI intellectual property right relating to any combination, machine, or process in which TI products or services are used. Information published by TI regarding third-party products or services does not constitute a license from TI to use such products or services or a warranty or endorsement thereof. Use of such information may require a license from a third party under the patents or other intellectual property of the third party, or a license from TI under the patents or other intellectual property of TI.

Reproduction of information in TI data books or data sheets is permissible only if reproduction is without alteration and is accompanied by all associated warranties, conditions, limitations, and notices. Reproduction of this information with alteration is an unfair and deceptive business practice. TI is not responsible or liable for such altered documentation.

Resale of TI products or services with statements different from or beyond the parameters stated by TI for that product or service voids all express and any implied warranties for the associated TI product or service and is an unfair and deceptive business practice. TI is not responsible or liable for any such statements.

Following are URLs where you can obtain information on other Texas Instruments products and application solutions:

| Products | | Applications | |
|------------------|--|---------------------|--|
| Amplifiers | amplifier.ti.com | Audio | www.ti.com/audio |
| Data Converters | dataconverter.ti.com | Automotive | www.ti.com/automotive |
| DSP | dsp.ti.com | Broadband | www.ti.com/broadband |
| Interface | interface.ti.com | Digital Control | www.ti.com/digitalcontrol |
| Logic | logic.ti.com | Military | www.ti.com/military |
| Power Mgmt | power.ti.com | Optical Networking | www.ti.com/opticalnetwork |
| Microcontrollers | microcontroller.ti.com | Security | www.ti.com/security |
| | | Telephony | www.ti.com/telephony |
| | | Video & Imaging | www.ti.com/video |
| | | Wireless | www.ti.com/wireless |

Mailing Address: Texas Instruments
Post Office Box 655303 Dallas, Texas 75265

Copyright © 2003, Texas Instruments Incorporated

Looking for pricing, stock, or lifecycle information?

Click below to explore more details on WIN SOURCE:

 [View PCM3006T/2K on WIN SOURCE](#)

 [Texas Instruments](#) Information

Optimize Your Supply Chain with WIN SOURCE Solutions

-  Global Sourcing Solution
-  Obsolete Management
-  Cost Control Management
-  Shortage Management
-  Alternative Solution
-  Excess Inventory Management