



# THE DATASHEET OF PCM1808PWRG4



## PCM1808 Single-Ended, Analog-Input 24-Bit, 96-kHz Stereo ADC

### 1 Features

- 24-Bit Delta-Sigma Stereo A/D Converter (ADC)
- Single-Ended Voltage Input: 3 V<sub>p-p</sub>
- High Performance:
  - THD+N: –93 dB (Typical)
  - SNR: 99 dB (Typical)
  - Dynamic Range: 99 dB (Typical)
- Oversampling Decimation Filter:
  - Oversampling Frequency: x64
  - Pass-Band Ripple: ±0.05 dB
  - Stop-Band Attenuation: –65 dB
  - On-Chip High-Pass Filter: 0.91 Hz (48 kHz)
- Flexible PCM Audio Interface
  - Master- or Slave-Mode Selectable
  - Data Formats: 24-Bit I<sup>2</sup>S, 24-Bit Left-Justified
- Power Down and Reset by Halting System Clock
- Analog Antialias LPF Included
- Sampling Rate: 8 kHz–96 kHz
- System Clock: 256 f<sub>S</sub>, 384 f<sub>S</sub>, 512 f<sub>S</sub>
- Resolution: 24 Bits
- Dual Power Supplies:
  - 5-V for Analog
  - 3.3-V for Digital
- Package: 14-Pin TSSOP

### 2 Applications

- DVD Recorder
- Digital TV
- AV Amplifier or Receiver
- MD Player
- CD Recorder
- Multitrack Receiver
- Electric Musical Instrument

### 3 Description

The PCM1808 device is a high-performance, low-cost, single-chip, stereo analog-to-digital converter with single-ended analog voltage input. The PCM1808 device uses a delta-sigma modulator with 64-times oversampling and includes a digital decimation filter and high-pass filter that removes the dc component of the input signal. For various applications, the PCM1808 device supports master and slave mode and two data formats in serial audio interface.

The PCM1808 device supports the power-down and reset functions by means of halting the system clock.

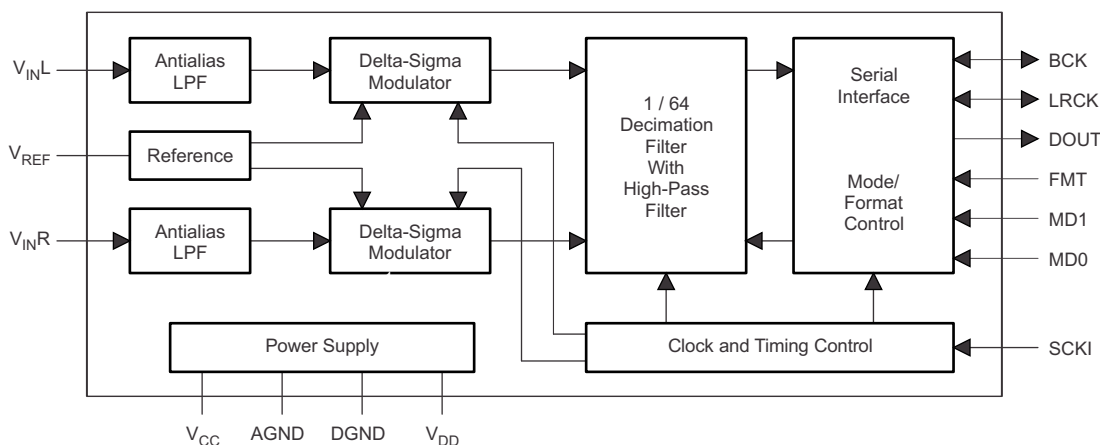
The PCM1808 device is suitable for wide variety of cost-sensitive consumer applications requiring good performance and operation with a 5-V analog supply and 3.3-V digital supply. Fabrication of the PCM1808 device uses a highly advanced CMOS process. The device is available in a small, 14-pin TSSOP package.

#### Device Information<sup>(1)</sup>

| PART NUMBER | PACKAGE    | BODY SIZE (NOM)   |
|-------------|------------|-------------------|
| PCM1808     | TSSOP (14) | 4.40 mm x 5.00 mm |

(1) For all available packages, see the orderable addendum at the end of the datasheet.

#### PCM1808 Block Diagram



## Table of Contents

|  |           |  |           |
|--|-----------|--|-----------|
| <b>1 Features</b> .....                        | <b>1</b>  | 7.3 Feature Description .....                                    | <b>14</b> |
| <b>2 Applications</b> .....                    | <b>1</b>  | 7.4 Device Functional Modes .....                                | <b>17</b> |
| <b>3 Description</b> .....                     | <b>1</b>  | <b>8 Application and Implementation</b> .....                    | <b>19</b> |
| <b>4 Revision History</b> .....                | <b>2</b>  | 8.1 Application Information .....                                | <b>19</b> |
| <b>5 Pin Configuration and Functions</b> ..... | <b>3</b>  | 8.2 Typical Application .....                                    | <b>19</b> |
| <b>6 Specifications</b> .....                  | <b>4</b>  | <b>9 Power Supply Recommendations</b> .....                      | <b>21</b> |
| 6.1 Absolute Maximum Ratings .....             | <b>4</b>  | <b>10 Layout</b> .....   | <b>21</b> |
| 6.2 ESD Ratings .....                          | <b>4</b>  | 10.1 Layout Guidelines .....                                     | <b>21</b> |
| 6.3 Recommended Operating Conditions .....     | <b>4</b>  | 10.2 Layout Example .....  | <b>22</b> |
| 6.4 Thermal Information .....                  | <b>5</b>  | <b>11 Device and Documentation Support</b> .....                 | <b>23</b> |
| 6.5 Electrical Characteristics .....           | <b>5</b>  | 11.1 Community Resources .....                                   | <b>23</b> |
| 6.6 Timing Requirements .....                  | <b>7</b>  | 11.2 Trademarks .....  | <b>23</b> |
| 6.7 Typical Characteristics .....              | <b>11</b> | 11.3 Electrostatic Discharge Caution .....                       | <b>23</b> |
| <b>7 Detailed Description</b> .....            | <b>14</b> | 11.4 Glossary .....  | <b>23</b> |
| 7.1 Overview .....                             | <b>14</b> | <b>12 Mechanical, Packaging, and Orderable Information</b> ..... | <b>23</b> |
| 7.2 Functional Block Diagram .....             | <b>14</b> |  |           |

## 4 Revision History

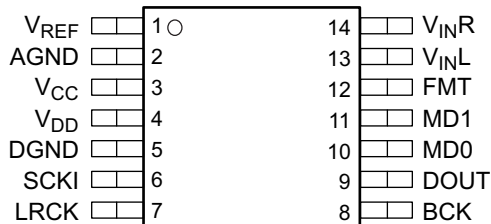
### Changes from Revision A (August 2006) to Revision B

**Page**

- Added ESD Ratings table, Feature Description section, Device Functional Modes, Application and Implementation section, Power Supply Recommendations section, Layout section, Device and Documentation Support section, and Mechanical, Packaging, and Orderable Information section. .... **1**

## 5 Pin Configuration and Functions

**14-Pin TSSOP  
PW Package  
Top View**



P0032-02

### Pin Functions

| PIN              |     | I/O | DESCRIPTION  |
|------------------|-----|-----|--|
| NAME             | PIN |     |  |
| AGND             | 2   | —   | Analog GND   |
| BCK              | 8   | I/O | Audio-data bit-clock input or output <sup>(1)</sup>  |
| DGND             | 5   | —   | Digital GND  |
| DOUT             | 9   | O   | Audio-data digital output  |
| FMT              | 12  | I   | Audio-interface format select <sup>(2)</sup>   |
| LRCK             | 7   | I/O | Audio-data latch-enable input or output <sup>(1)</sup>   |
| MD0              | 10  | I   | Audio-interface mode select 0 <sup>(2)</sup>   |
| MD1              | 11  | I   | Audio-interface mode select 1 <sup>(2)</sup>   |
| SCKI             | 6   | I   | System clock input; 256 f <sub>S</sub> , 384 f <sub>S</sub> or 512 f <sub>S</sub> <sup>(3)</sup> |
| V <sub>CC</sub>  | 3   | —   | Analog power supply, 5-V   |
| V <sub>DD</sub>  | 4   | —   | Digital power supply, 3.3-V  |
| V <sub>INL</sub> | 13  | I   | Analog input, L-channel  |
| V <sub>INR</sub> | 14  | I   | Analog input, R-channel  |
| V <sub>REF</sub> | 1   | —   | Reference-voltage decoupling (= 0.5 V <sub>CC</sub> )  |

(1) Schmitt-trigger input with internal pulldown (50-kΩ, typical)

(2) Schmitt-trigger input with internal pulldown (50-kΩ, typical), 5-V tolerant

(3) Schmitt-trigger input, 5-V tolerant

## 6 Specifications

### 6.1 Absolute Maximum Ratings

over operating ambient temperature range (unless otherwise noted) <sup>(1)</sup>

|   |  | MIN                                  | MAX | UNIT                                 |
|---|--|--------------------------------------|-----|--------------------------------------|
| V <sub>CC</sub>   | Analog supply voltage                    | -0.3                                 | 6.5 | V                                    |
| V <sub>DD</sub>   | Digital supply voltage                   | -0.3                                 | 4   | V                                    |
|   | Ground voltage differences               | AGND, DGND                           |     | ±0.1 V                               |
|   | Digital input voltage                    | LRCK, BCK, DOUT                      |     | -0.3 (V <sub>DD</sub> + 0.3 V) < 4 V |
|   |  | SCKI, MD0, MD1, FMT                  |     | -0.3 6.5 V                           |
| V <sub>INL</sub> , V <sub>INR</sub> ,<br>V <sub>REF</sub> | Analog input voltage                     | -0.3 (V <sub>CC</sub> + 0.3 V) < 6.5 |     | V                                    |
|   | Input current (any pins except supplies) |                                      | ±10 | mA                                   |
| T <sub>J</sub>  | Junction temperature                     |                                      | 150 | °C                                   |
| T <sub>stg</sub>  | Storage temperature                      | -55                                  | 150 | °C                                   |

- (1) Stresses beyond those listed under *Absolute Maximum Ratings* may cause permanent damage to the device. These are stress ratings only, which do not imply functional operation of the device at these or any other conditions beyond those indicated under *Recommended Operating Conditions*. Exposure to absolute-maximum-rated conditions for extended periods may affect device reliability.

### 6.2 ESD Ratings

|                    |                         | VALUE  | UNIT  |
|--------------------|-------------------------|--|-------|
| V <sub>(ESD)</sub> | Electrostatic discharge | Human-body model (HBM), per ANSI/ESDA/JEDEC JS-001, all pins <sup>(1)</sup>              | ±4000 |
|                    |                         | Charged-device model (CDM), per JEDEC specification JESD22-C101, all pins <sup>(2)</sup> | ±1500 |

- (1) JEDEC document JEP155 states that 500-V HBM allows safe manufacturing with a standard ESD control process.  
 (2) JEDEC document JEP157 states that 250-V CDM allows safe manufacturing with a standard ESD control process.

### 6.3 Recommended Operating Conditions

over operating ambient temperature range (unless otherwise noted)

|                                    |   | MIN                   | NOM | MAX             | UNIT             |
|------------------------------------|---|-----------------------|-----|-----------------|------------------|
| V <sub>CC</sub>                    | Analog supply voltage (see <a href="#">Power Supply Recommendations</a> ) | 4.5                   | 5   | 5.5             | V                |
| V <sub>DD</sub>                    | Digital supply voltage  | 2.7                   | 3.3 | 3.6             | V                |
|                                    | Analog input voltage, full scale (-0 dB)                                  | V <sub>CC</sub> = 5 V |     | 3               | V <sub>p-p</sub> |
| V <sub>IH</sub> <sup>(1)</sup>     | High input logic level  | 2                     |     | V <sub>DD</sub> | VDC              |
| V <sub>IL</sub> <sup>(1)</sup>     | Low input logic level   | 0                     |     | 0.8             | VDC              |
| V <sub>IH</sub> <sup>(2) (3)</sup> | High input logic level  | 2                     |     | 5.5             | VDC              |
| V <sub>IL</sub> <sup>(2) (3)</sup> | Low input logic level   | 0                     |     | 0.8             | VDC              |
|                                    | Digital input logic family  | TTL compatible        |     |                 |                  |
|                                    | Digital input clock frequency, system clock                               | 2.048                 |     | 49.152          | MHz              |
|                                    | Digital input clock frequency, sampling clock                             | 8                     |     | 96              | kHz              |
|                                    | Digital output load capacitance   |                       |     | 20              | pF               |
| T <sub>A</sub>                     | Operating ambient temperature range                                       | -40                   |     | 85              | °C               |
| T <sub>J</sub>                     | Junction temperature  |                       |     | 150             | °C               |

- (1) Pins 7, 8: LRCK, BCK (Schmitt-trigger input, with 50-kΩ typical pulldown resistor, in slave mode)  
 (2) Pin 6: SCKI (Schmitt-trigger input, 5-V tolerant)  
 (3) Pins 10–12: MD0, MD1, FMT (Schmitt-trigger input, with 50-kΩ typical pulldown resistor, 5-V tolerant)

## 6.4 Thermal Information

| THERMAL METRIC <sup>(1)</sup> |  | PCM1808    |      |
|-------------------------------|--|------------|------|
|                               |  | PW (TSSOP) |      |
|                               |  | 14 PINS    |      |
| Symbol                        | Description                                  | Value      | Unit |
| R <sub>θJA</sub>              | Junction-to-ambient thermal resistance       | 89.4       | °C/W |
| R <sub>θJC(top)</sub>         | Junction-to-case (top) thermal resistance    | 25.6       | °C/W |
| R <sub>θJB</sub>              | Junction-to-board thermal resistance         | 30.3       | °C/W |
| ψ <sub>JT</sub>               | Junction-to-top characterization parameter   | 1.4        | °C/W |
| ψ <sub>JB</sub>               | Junction-to-board characterization parameter | 29.8       | °C/W |
| R <sub>θJC(bot)</sub>         | Junction-to-case (bottom) thermal resistance | N/A        | °C/W |

(1) For more information about traditional and new thermal metrics, see the *Semiconductor and IC Package Thermal Metrics* application report, [SPRA953](#).

## 6.5 Electrical Characteristics

All specifications at T<sub>A</sub> = 25°C, V<sub>CC</sub> = 5 V, V<sub>DD</sub> = 3.3 V, master mode, f<sub>S</sub> = 48 kHz, system clock = 512 f<sub>S</sub>, 24-bit data, unless otherwise noted

| PARAMETER                          | TEST CONDITIONS          | MIN                               | TYP    | MAX             | UNIT     |
|------------------------------------|--------------------------|-----------------------------------|--------|-----------------|----------|
| Resolution                         |                          |                                   | 24     |                 | Bits     |
| <b>DATA FORMAT</b>                 |                          |                                   |        |                 |          |
| Audio data interface format        |                          | I <sup>2</sup> S, left-justified  |        |                 |          |
| Audio data bit length              |                          | 24                                |        |                 | Bits     |
| Audio data format                  |                          | MSB-first, 2s complement          |        |                 |          |
| f <sub>S</sub>                     | Sampling frequency       | 8                                 | 48     | 96              | kHz      |
| System clock frequency             | 256 f <sub>S</sub>       | 2.048                             | 12.288 | 24.576          | MHz      |
|                                    | 384 f <sub>S</sub>       | 3.072                             | 18.432 | 36.864          |          |
|                                    | 512 f <sub>S</sub>       | 4.096                             | 24.576 | 49.152          |          |
| <b>INPUT LOGIC</b>                 |                          |                                   |        |                 |          |
| V <sub>IH</sub> <sup>(1)</sup>     | High input logic level   | 2                                 |        | V <sub>DD</sub> | VDC      |
| V <sub>IL</sub> <sup>(1)</sup>     | Low input logic level    | 0                                 |        | 0.8             | VDC      |
| V <sub>IH</sub> <sup>(2) (3)</sup> | High input logic level   | 2                                 |        | 5.5             | VDC      |
| V <sub>IL</sub> <sup>(2) (3)</sup> | Low input logic level    | 0                                 |        | 0.8             | VDC      |
| I <sub>IH</sub> <sup>(2)</sup>     | High input logic current | V <sub>IN</sub> = V <sub>DD</sub> | ±10    |                 | μA       |
| I <sub>IL</sub> <sup>(2)</sup>     | Low input logic current  | V <sub>IN</sub> = 0 V             | ±10    |                 | μA       |
| I <sub>IH</sub> <sup>(1) (3)</sup> | High input logic current | V <sub>IN</sub> = V <sub>DD</sub> | 65     | 100             | μA       |
| I <sub>IL</sub> <sup>(1) (3)</sup> | Low input logic current  | V <sub>IN</sub> = 0 V             | ±10    |                 | μA       |
| <b>OUTPUT LOGIC</b>                |                          |                                   |        |                 |          |
| V <sub>OH</sub> <sup>(4)</sup>     | High output logic level  | I <sub>OUT</sub> = -4 mA          | 2.8    |                 | VDC      |
| V <sub>OL</sub> <sup>(4)</sup>     | Low output logic level   | I <sub>OUT</sub> = 4 mA           | 0.5    |                 | VDC      |
| <b>DC ACCURACY</b>                 |                          |                                   |        |                 |          |
| Gain mismatch, channel-to-channel  |                          |                                   | ±1     | ±3              | % of FSR |
| Gain error                         |                          |                                   | ±3     | ±6              | % of FSR |

(1) Pins 7, 8: LRCK, BCK (Schmitt-trigger input, with 50-kΩ typical pulldown resistor, in slave mode)

(2) Pin 6: SCKI (Schmitt-trigger input, 5-V tolerant)

(3) Pins 10–12: MD0, MD1, FMT (Schmitt-trigger input, with 50-kΩ typical pulldown resistor, 5-V tolerant)

(4) Pins 7–9: LRCK, BCK (in master mode), DOUT

## Electrical Characteristics (continued)

All specifications at  $T_A = 25^\circ\text{C}$ ,  $V_{CC} = 5\text{ V}$ ,  $V_{DD} = 3.3\text{ V}$ , master mode,  $f_S = 48\text{ kHz}$ , system clock =  $512 f_S$ , 24-bit data, unless otherwise noted

| PARAMETER                                 |                                       | TEST CONDITIONS  | MIN         | TYP                | MAX   | UNIT          |
|---|---------------------------------------|--|-------------|--------------------|-------|---------------|
| <b>DYNAMIC PERFORMANCE <sup>(5)</sup></b> |                                       |  |             |                    |       |               |
| THD+N                                     | Total harmonic distortion + noise     | $V_{IN} = -0.5\text{ dB}$ , $f_S = 48\text{ kHz}$                |             | -93                | -87   | dB            |
|   |                                       | $V_{IN} = -0.5\text{ dB}$ , $f_S = 96\text{ kHz}$ <sup>(6)</sup> |             | -87                |       |               |
|   |                                       | $V_{IN} = -60\text{ dB}$ , $f_S = 48\text{ kHz}$                 |             | -37                |       |               |
|   |                                       | $V_{IN} = -60\text{ dB}$ , $f_S = 96\text{ kHz}$ <sup>(6)</sup>  |             | -39                |       |               |
| Dynamic range                             |                                       | $f_S = 48\text{ kHz}$ , A-weighted                               | 95          | 99                 | dBVDC |               |
|   |                                       | $f_S = 96\text{ kHz}$ , A-weighted <sup>(6)</sup>                |             | 101                |       |               |
| S/N                                       | Signal-to-noise ratio                 | $f_S = 48\text{ kHz}$ , A-weighted                               | 95          | 99                 | dB    |               |
|   |                                       | $f_S = 96\text{ kHz}$ , A-weighted <sup>(6)</sup>                |             | 101                |       |               |
| Channel separation                        |                                       | $f_S = 48\text{ kHz}$  | 93          | 97                 | dB    |               |
|   |                                       | $f_S = 96\text{ kHz}$ <sup>(6)</sup>                             |             | 91                 |       |               |
| <b>ANALOG INPUT</b>                       |                                       |  |             |                    |       |               |
| Input voltage                             |                                       |  |             | $0.6 V_{CC}$       |       | Vp-p          |
| Center voltage ( $V_{REF}$ )              |                                       |  |             | $0.5 V_{CC}$       |       | V             |
| Input impedance                           |                                       |  |             | 60                 |       | k $\Omega$    |
| Antialiasing filter frequency response    |                                       | -3 dB  |             | 1.3                |       | MHz           |
| <b>DIGITAL FILTER PERFORMANCE</b>         |                                       |  |             |                    |       |               |
| Pass band                                 |                                       |  |             | $0.454 f_S$        |       | Hz            |
| Stop band                                 |                                       |  | $0.583 f_S$ |                    |       | Hz            |
| Pass-band ripple                          |                                       |  |             | $\pm 0.05$         |       | dB            |
| Stop-band attenuation                     |                                       |  | -65         |                    |       | dB            |
| Delay time                                |                                       |  |             | $17.4 / f_S$       |       |               |
| HPF frequency response                    |                                       | -3 dB  |             | $0.019 f_S / 1000$ |       |               |
| <b>POWER SUPPLY REQUIREMENTS</b>          |                                       |  |             |                    |       |               |
| $I_{CC}$                                  | Analog supply current <sup>(7)</sup>  | $f_S = 48\text{ kHz}$ , $96\text{ kHz}$ <sup>(6)</sup>           |             | 8.6                | 11    | mA            |
|   |                                       | Powered down <sup>(8)</sup>                                      |             | 1                  |       | $\mu\text{A}$ |
| $I_{DD}$                                  | Digital supply current <sup>(7)</sup> | $f_S = 48\text{ kHz}$  |             | 5.9                | 8     | mA            |
|   |                                       | $f_S = 96\text{ kHz}$ <sup>(6)</sup>                             |             | 10.2               |       | mA            |
|   |                                       | Powered down <sup>(8)</sup>                                      |             | 150                |       | $\mu\text{A}$ |
| Power dissipation <sup>(7)</sup>          |                                       | $f_S = 48\text{ kHz}$  |             | 62                 | 81    | mW            |
|   |                                       | $f_S = 96\text{ kHz}$ <sup>(6)</sup>                             |             | 77                 |       |               |
|   |                                       | Powered down <sup>(8)</sup>                                      |             | 500                |       | $\mu\text{W}$ |

(5) Testing of analog performance specifications uses an audio measurement system by Audio Precision™ with 400-Hz HPF and 20-kHz LPF in RMS mode.

(6)  $f_S = 96\text{ kHz}$ , system clock =  $256 f_S$ .

(7) Minimum load on LRCK (pin 7), BCK (pin 8), DOUT (pin 9)

(8) Power-down and reset functions enabled by halting SCK1, BCK, LRCK.

## 6.6 Timing Requirements

|  | MIN                     | NOM             | MAX          | UNIT    |
|--|-------------------------|-----------------|--------------|---------|
| <b>SYSTEM CLOCK TIMING</b>   |                         |                 |              |         |
| $t_{w(SCKH)}$ System clock pulse duration, HIGH  | 8                       |                 |              | ns      |
| $t_{w(SCKL)}$ System clock pulse duration, LOW   | 8                       |                 |              | ns      |
| System clock duty cycle  | 40%                     |                 | 60%          |         |
| <b>CLOCK-HALT POWER-DOWN AND RESET TIMING</b>  |                         |                 |              |         |
| $t_{(CKR)}$ Delay time from SCKI halt to internal reset                                      | 4                       |                 |              | $\mu$ s |
| $t_{(RST)}$ Delay time from SCKI resume to reset release                                     |                         |                 | 1024 SCKI    | $\mu$ s |
| $t_{(REL)}$ Delay time from reset release to DOUT output                                     |                         |                 | 8960 / $f_S$ | $\mu$ s |
| <b>AUDIO DATA INTERFACE TIMING (Slave Mode: LRCK and BCK Work as Inputs)<sup>(1)</sup></b>   |                         |                 |              |         |
| $t_{(BCKP)}$ BCK period  | 1 / (64 $f_S$ )         |                 |              | ns      |
| $t_{(BCKH)}$ BCK pulse duration, HIGH  | 1.5 $\times t_{(SCKI)}$ |                 |              | ns      |
| $t_{(BCKL)}$ BCK pulse duration, LOW   | 1.5 $\times t_{(SCKI)}$ |                 |              | ns      |
| $t_{(LRSU)}$ LRCK setup time to BCK rising edge  | 50                      |                 |              | ns      |
| $t_{(LRHD)}$ LRCK hold time to BCK rising edge   | 10                      |                 |              | ns      |
| $t_{(LRCP)}$ LRCH period   | 10                      |                 |              | $\mu$ s |
| $t_{(CKDO)}$ Delay time, BCK falling edge to DOUT valid                                      | -10                     |                 | 40           | ns      |
| $t_{(LRDO)}$ Delay time, LRCK edge to DOUT valid   | -10                     |                 | 40           | ns      |
| $t_r$ Rise time of all signals   |                         |                 | 20           | ns      |
| $t_f$ Fall time of all signals   |                         |                 | 20           | ns      |
| <b>AUDIO DATA INTERFACE TIMING (Master Mode: LRCK and BCK Work as Outputs)<sup>(2)</sup></b> |                         |                 |              |         |
| $t_{(BCKP)}$ BCK period  | 150                     | 1 / (64 $f_S$ ) | 2000         | ns      |
| $t_{(BCKH)}$ BCK pulse duration, HIGH  | 65                      |                 | 1200         | ns      |
| $t_{(BCKL)}$ BCK pulse duration, LOW   | 65                      |                 | 1200         | ns      |
| $t_{(CKLR)}$ Delay time, BCK falling edge to LRCK valid                                      | -10                     |                 | 20           | ns      |
| $t_{(LRCP)}$ LRCK period   | 10                      | 1 / $f_S$       | 125          | ns      |
| $t_{(CKDO)}$ Delay time, BCK falling edge to DOUT valid                                      | -10                     |                 | 20           | ns      |
| $t_{(LRDO)}$ Delay time, LRCK edge to DOUT valid   | -10                     |                 | 20           | ns      |
| $t_r$ Rise time of all signals   |                         |                 | 20           | ns      |
| $t_f$ Fall time of all signals   |                         |                 | 20           | ns      |
| <b>AUDIO CLOCK INTERFACE TIMING (Master Mode: BCK Work as Outputs)<sup>(3)</sup></b>         |                         |                 |              |         |
| $t_{(SCKBCK)}$ Delay time, SCKI rising edge to BCK edge                                      | 5                       |                 | 30           | ns      |

- (1) Timing measurement reference level is 1.4 V for input and 0.5  $V_{DD}$  for output. Rise and fall times are from 10% to 90% of the input-output signal swing. Load capacitance of DOUT is 20 pF.  $t_{(SCKI)}$  is the SCKI period.
- (2) Timing measurement reference level is 0.5  $V_{DD}$ . Rise and fall times are from 10% to 90% of the input-output signal swing. Load capacitance of all signals is 20 pF.
- (3) Timing measurement reference level is 1.4 V for input and 0.5  $V_{DD}$  for output. Load capacitance of BCK is 20 pF. This timing applies when SCKI frequency is less than 25 MHz.

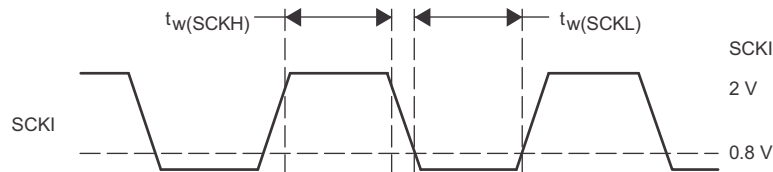
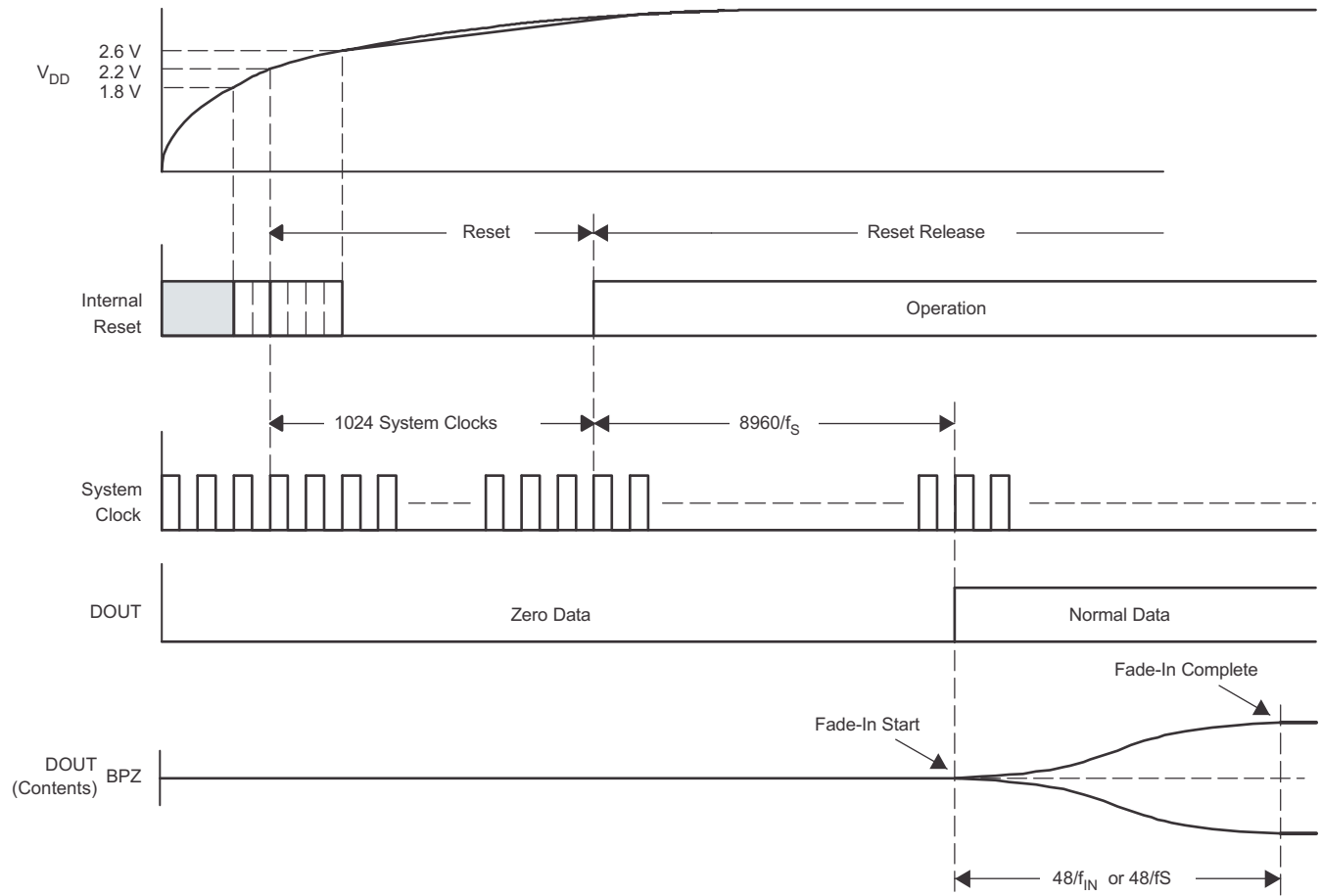


Figure 1. System Clock Timing



**Figure 2. Power-On Timing**

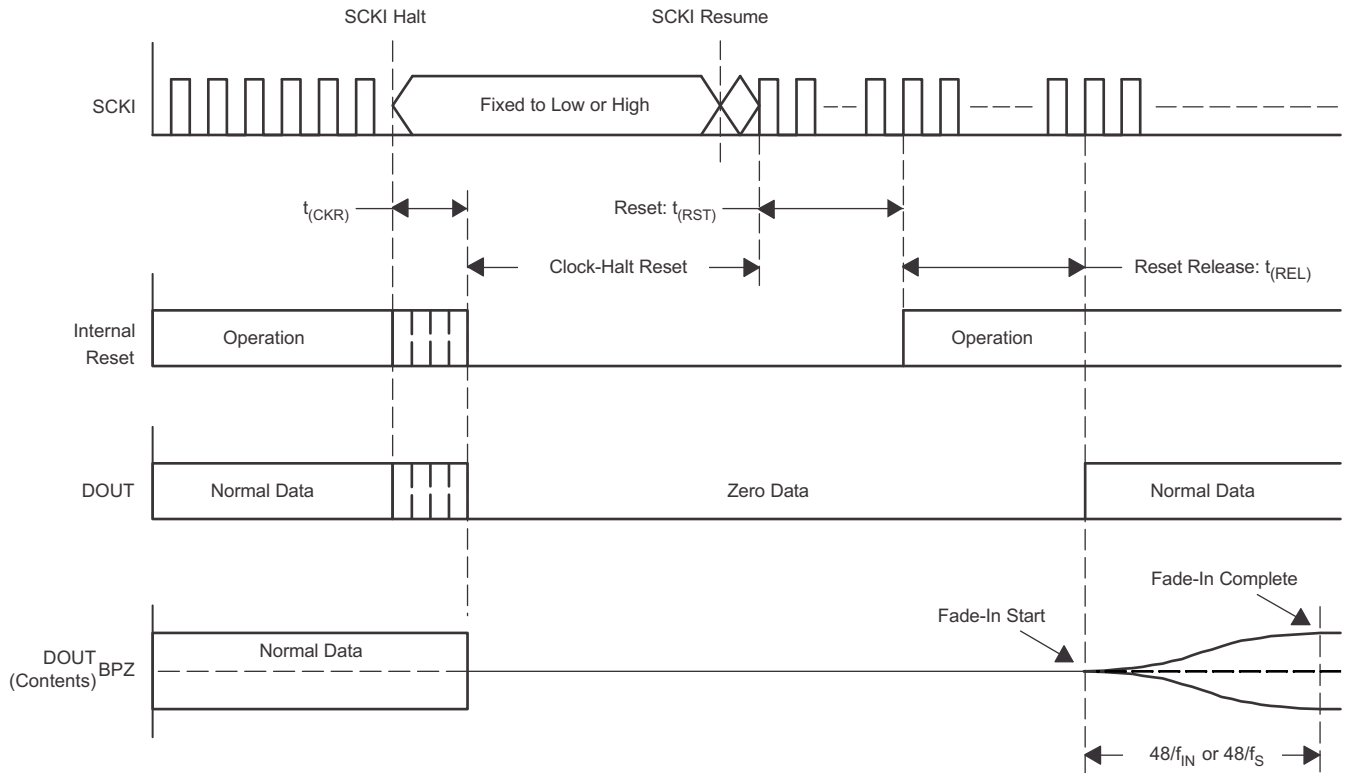


Figure 3. Clock-Halt Power-Down and Reset Timing

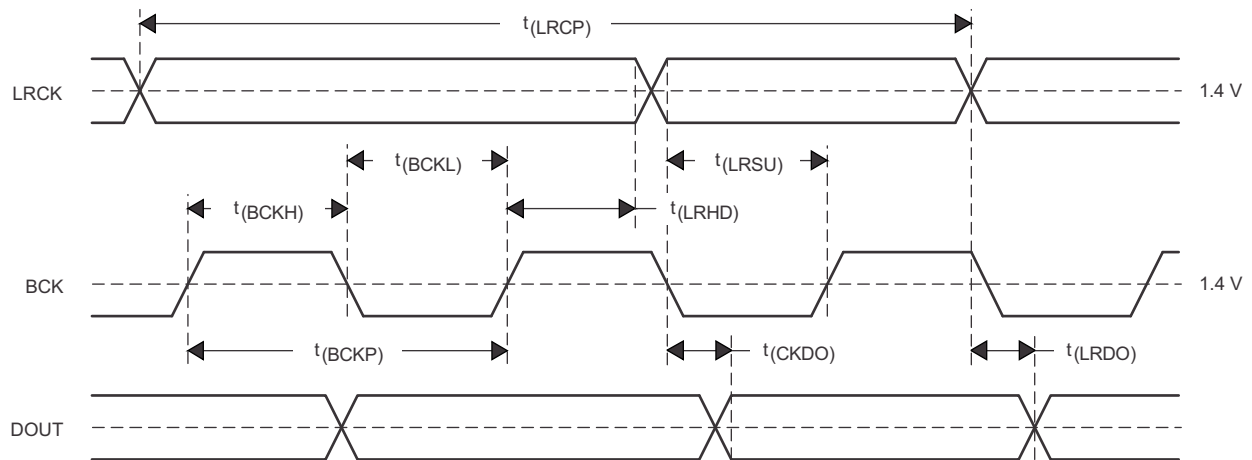
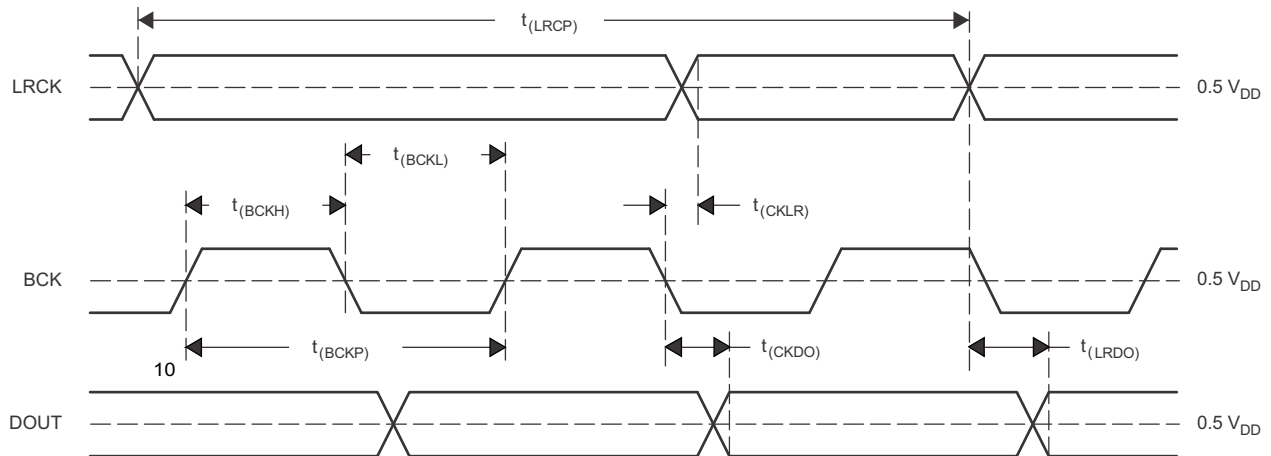
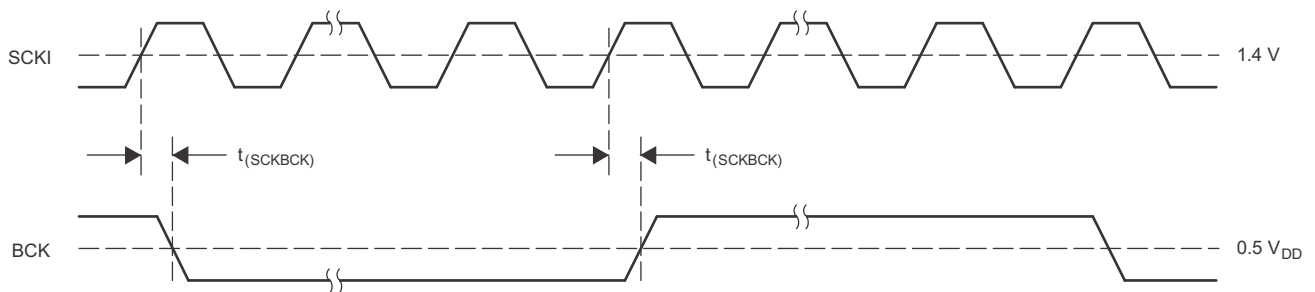
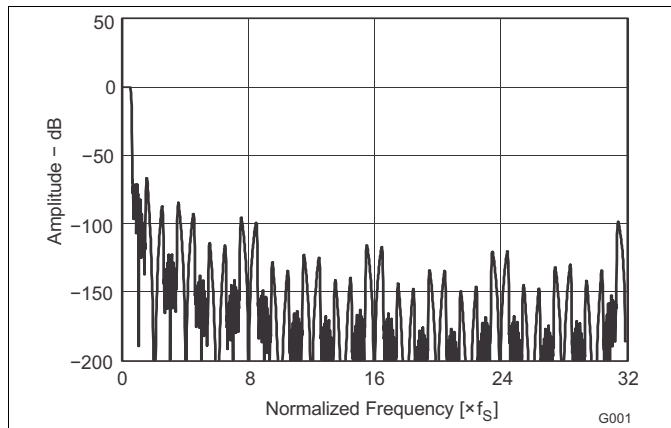


Figure 4. Audio Data Interface Timing (Slave Mode: LRCK and BCK Work as Inputs)

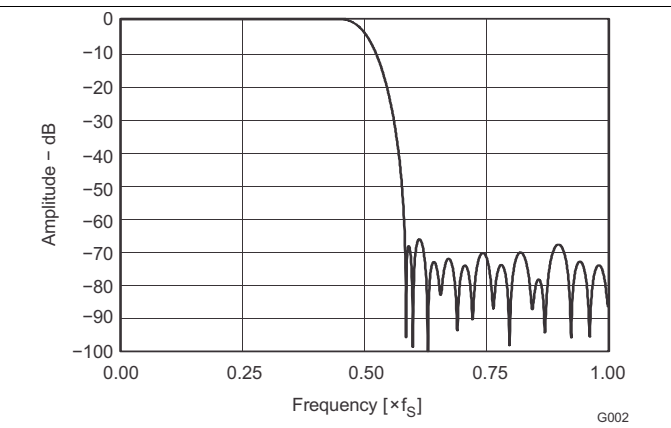

**Figure 5. Audio Data Interface Timing (Master Mode: LRCK and BCK Work as Outputs)**

**Figure 6. Audio Clock Interface Timing (Master Mode: BCK Works as Output)**

## 6.7 Typical Characteristics

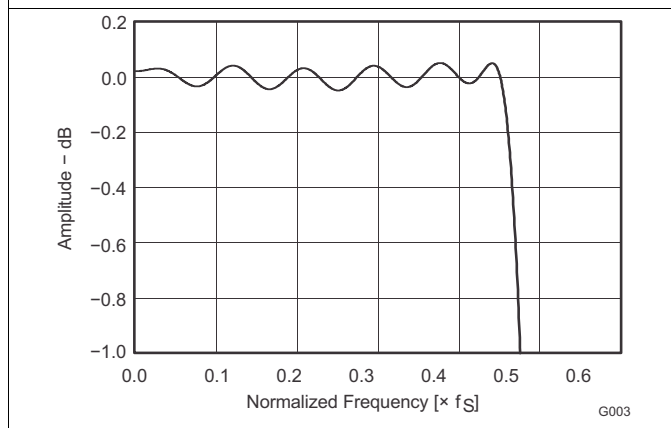
All specifications at  $T_A = 25^\circ\text{C}$ ,  $V_{CC} = 5\text{ V}$ ,  $V_{DD} = 3.3\text{ V}$ , master mode,  $f_S = 48\text{ kHz}$ , system clock =  $512 f_S$ , 24-bit data, unless otherwise noted.



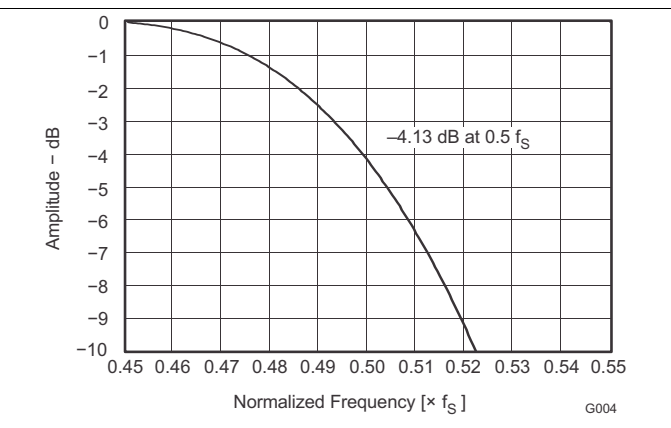
**Figure 7. Decimation-Filter Frequency Response Overall Characteristics**



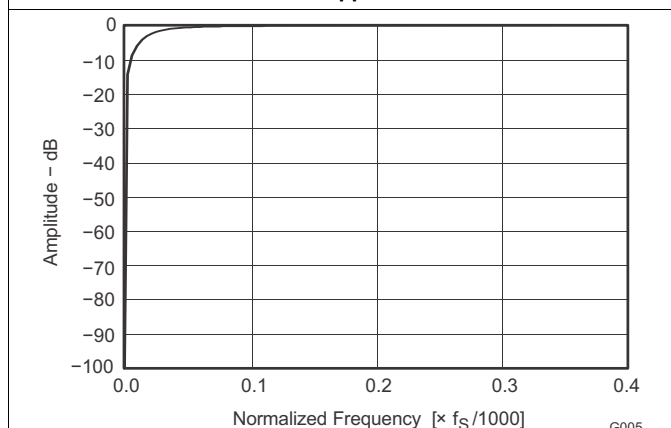
**Figure 8. Decimation-Filter Frequency Response Stop-Band Attenuation Characteristics**



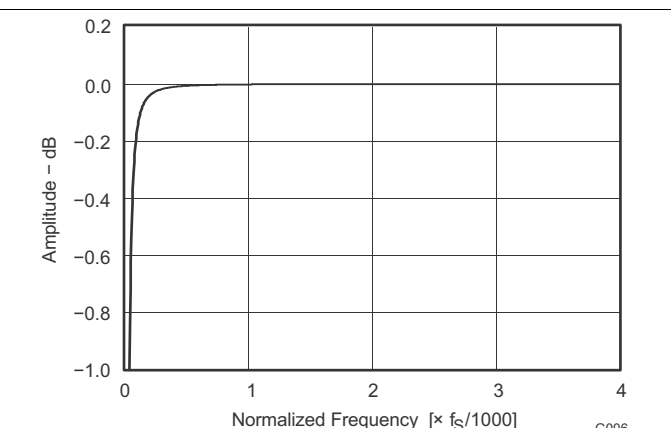
**Figure 9. Decimation-Filter Frequency Response Pass-Band Ripple Characteristics**



**Figure 10. Decimation-Filter Frequency Response Transition-Band Characteristics**



**Figure 11. High-Pass Filter Frequency Response HPF Stop-Band Characteristics**



**Figure 12. High-Pass Filter Frequency Response HPF Stop-Band Characteristics**

### Typical Characteristics (continued)

All specifications at  $T_A = 25^\circ\text{C}$ ,  $V_{CC} = 5\text{ V}$ ,  $V_{DD} = 3.3\text{ V}$ , master mode,  $f_S = 48\text{ kHz}$ , system clock =  $512 f_S$ , 24-bit data, unless otherwise noted.

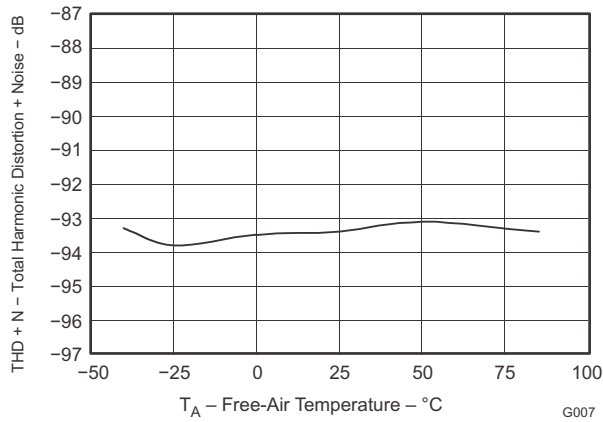


Figure 13. THD+N vs Temperature

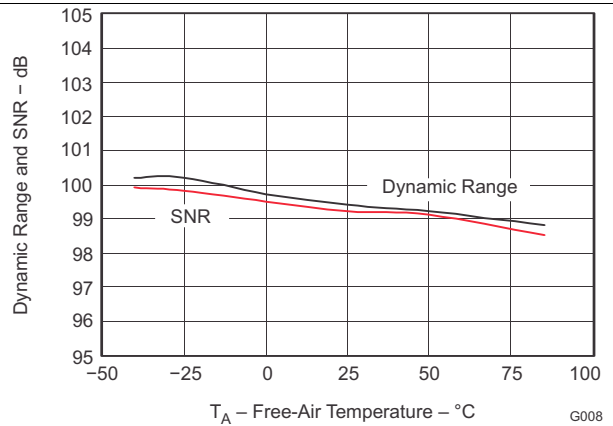


Figure 14. Dynamic Range and SNR vs Temperature

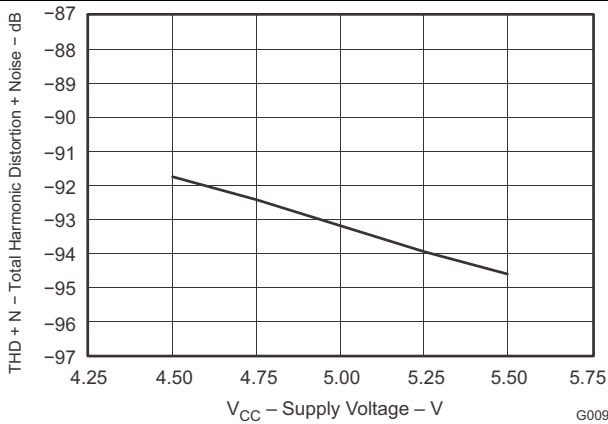


Figure 15. THD+N vs Supply Voltage

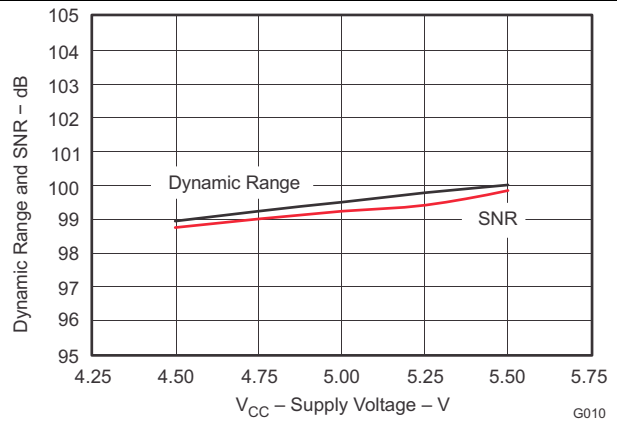


Figure 16. Dynamic Range and SNR vs Supply Voltage

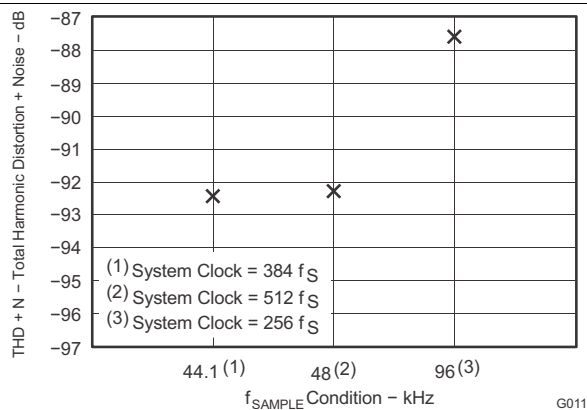


Figure 17. THD+N vs  $f_{SAMPLE}$  Condition

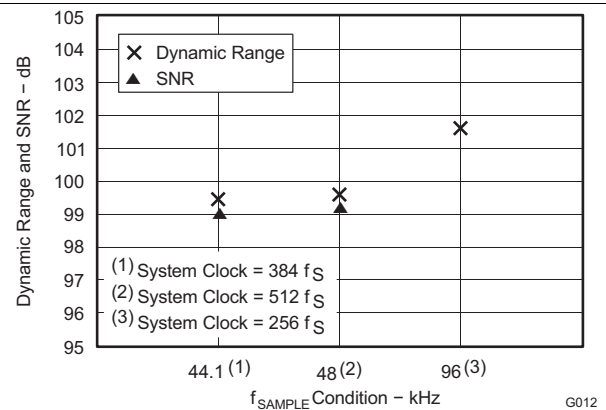


Figure 18. Dynamic Range and SNR vs  $f_{SAMPLE}$  Condition

Typical Characteristics (continued)

All specifications at  $T_A = 25^\circ\text{C}$ ,  $V_{CC} = 5\text{ V}$ ,  $V_{DD} = 3.3\text{ V}$ , master mode,  $f_S = 48\text{ kHz}$ , system clock =  $512 f_S$ , 24-bit data, unless otherwise noted.

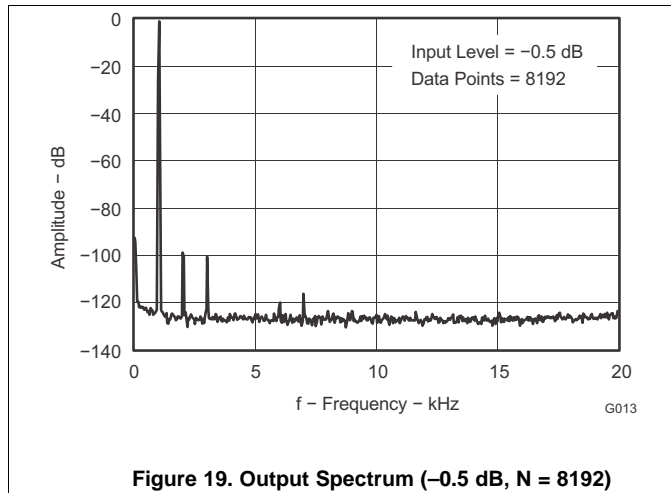


Figure 19. Output Spectrum (-0.5 dB, N = 8192)

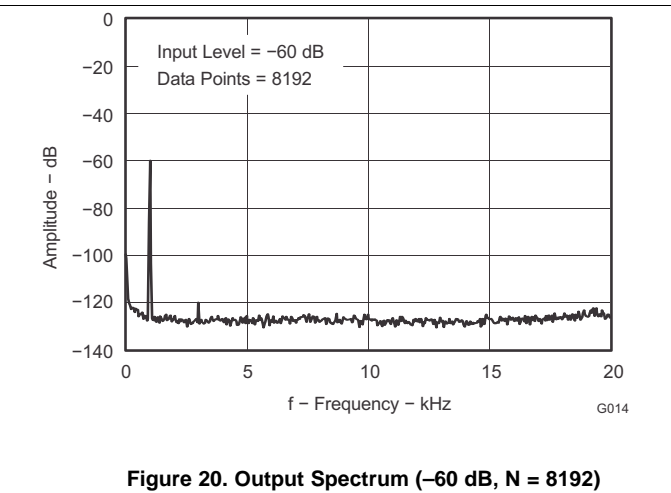


Figure 20. Output Spectrum (-60 dB, N = 8192)

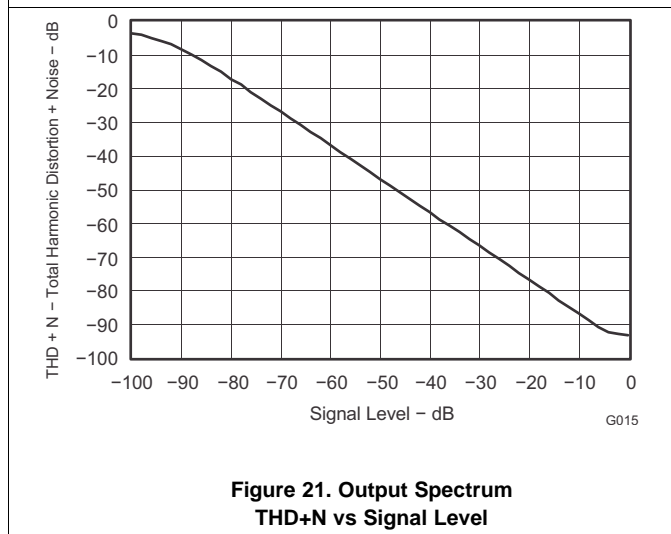


Figure 21. Output Spectrum THD+N vs Signal Level

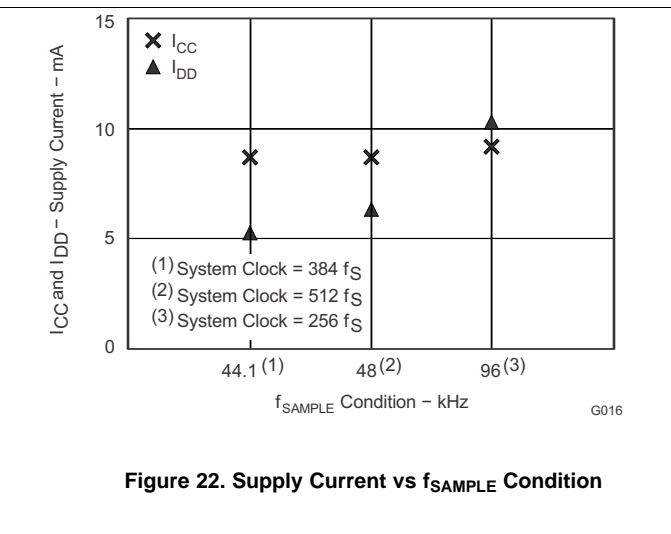


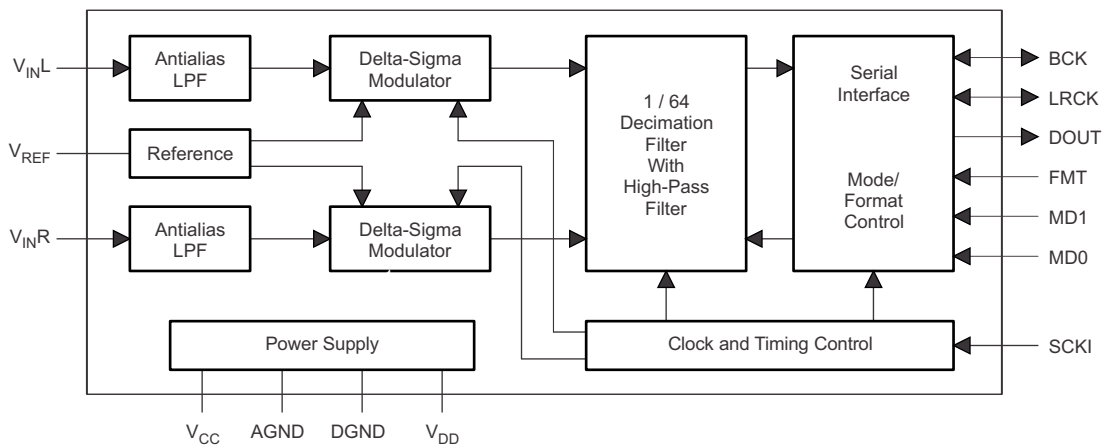
Figure 22. Supply Current vs  $f_{\text{SAMPLE}}$  Condition

## 7 Detailed Description

### 7.1 Overview

The PCM1808 is high-performance, low-cost, single-chip, stereo analog-to-digital converter with single-ended analog voltage input. The PCM1808 uses a delta-sigma modulator with 64-times oversampling and includes a digital decimation filter and high-pass filter that removes the dc component of the input signal. For various applications, the PCM1808 supports master and slave mode and two data formats in serial audio interface up to 96-kHz sampling. These features are controlled through hardware by pulling pins high or low with resistors or a controller GPIO. The PCM1808 also supports a power-down and reset function by means of halting the system clock.

### 7.2 Functional Block Diagram



### 7.3 Feature Description

#### 7.3.1 Hardware Control

Pins FMT, MD0, and MD1 allow the device to be controlled by either pullup or pulldown resistors as well as GPIO from a digital IC. These controls allow the option of switching between I<sup>2</sup>S or left-justified, and in which interface mode the device operates.

#### 7.3.2 System Clock

The PCM1808 device supports  $256 f_s$ ,  $384 f_s$ , and  $512 f_s$  as system clock, where  $f_s$  is the audio sampling frequency. The system clock input must be on SCKI (pin 6).

The PCM1808 device has a system-clock detection circuit which automatically senses if the system-clock operation is at  $256 f_s$ ,  $384 f_s$ , or  $512 f_s$  in slave mode. In master mode, control of the system clock frequency must be through the serial control port, which uses MD1 (pin 11) and MD0 (pin 10). An internal circuit automatically divides down the system clock to generate frequencies of  $128 f_s$  and  $64 f_s$ , which operate the digital filter and the delta-sigma modulator, respectively.

[Table 1](#) shows some typical relationships between sampling frequency and system clock frequency, and [Figure 1](#) shows system clock timing.

**Table 1. Sampling Frequency and System Clock Frequency**

| SAMPLING FREQUENCY (kHz) | SYSTEM CLOCK FREQUENCY ( $f_{SCLK}$ ) (MHz) |           |           |
|--------------------------|---|-----------|-----------|
|                          | $256 f_s$                                   | $384 f_s$ | $512 f_s$ |
| 8                        | 2.048                                       | 3.072     | 4.096     |
| 16                       | 4.096                                       | 6.144     | 8.192     |
| 32                       | 8.192                                       | 12.288    | 16.384    |
| 44.1                     | 11.2896                                     | 16.9344   | 22.5792   |

Feature Description (continued)

Table 1. Sampling Frequency and System Clock Frequency (continued)

| SAMPLING FREQUENCY (kHz) | SYSTEM CLOCK FREQUENCY (f <sub>SCLK</sub> ) (MHz) |                    |                    |
|--------------------------|---|--------------------|--------------------|
|                          | 256 f <sub>S</sub>                                | 384 f <sub>S</sub> | 512 f <sub>S</sub> |
| 48                       | 12.288  | 18.432             | 24.576             |
| 64                       | 16.384  | 24.576             | 32.768             |
| 88.2                     | 22.5792   | 33.8688            | 45.1584            |
| 96                       | 24.576  | 36.864             | 49.152             |

7.3.3 Synchronization With Digital Audio System

In slave mode, the PCM1808 device operates under LRCK (pin 7), synchronized with system clock SCKI (pin 6). The PCM1808 device does not require a specific phase relationship between LRCK and SCKI, but does require the synchronization of LRCK and SCKI.

If the relationship between LRCK and SCKI changes more than ±6 BCKs for 64 BCK/frame (±5 BCKs for 48 BCK/frame) during one sample period due to LRCK or SCKI jitter, internal operation of the ADC halts within 1 / f<sub>S</sub> and digital output goes to zero data (BPZ code) until resynchronization between LRCK and SCKI occurs.

In the case of changes less than ±5 BCKs for 64 BCK/frame (±4 BCKs for 48 BCK/frame), resynchronization does not occur, and the previously described digital output control and discontinuity do not occur.

Figure 23 illustrates the digital output response for loss of synchronization and resynchronization. During undefined data, the PCM1808 device can generate some noise in the audio signal. Also, the transition of normal data to undefined data creates a discontinuity in the digital output data, which can generate some noise in the audio signal. The digital output is valid after resynchronization completes and the time of 32 / f<sub>S</sub> has elapsed. Because the fade-in operation is performed, it takes additional time of 48 / f<sub>in</sub> or 48 / f<sub>S</sub> to obtain the level corresponding to the analog input signal. In the case of loss of synchronization during the fade-in or fade-out operation, the operation stops and DOUT (pin 9) goes to zero data immediately. The fade-in operation resumes from mute after the time of 32 / f<sub>S</sub> following resynchronization.

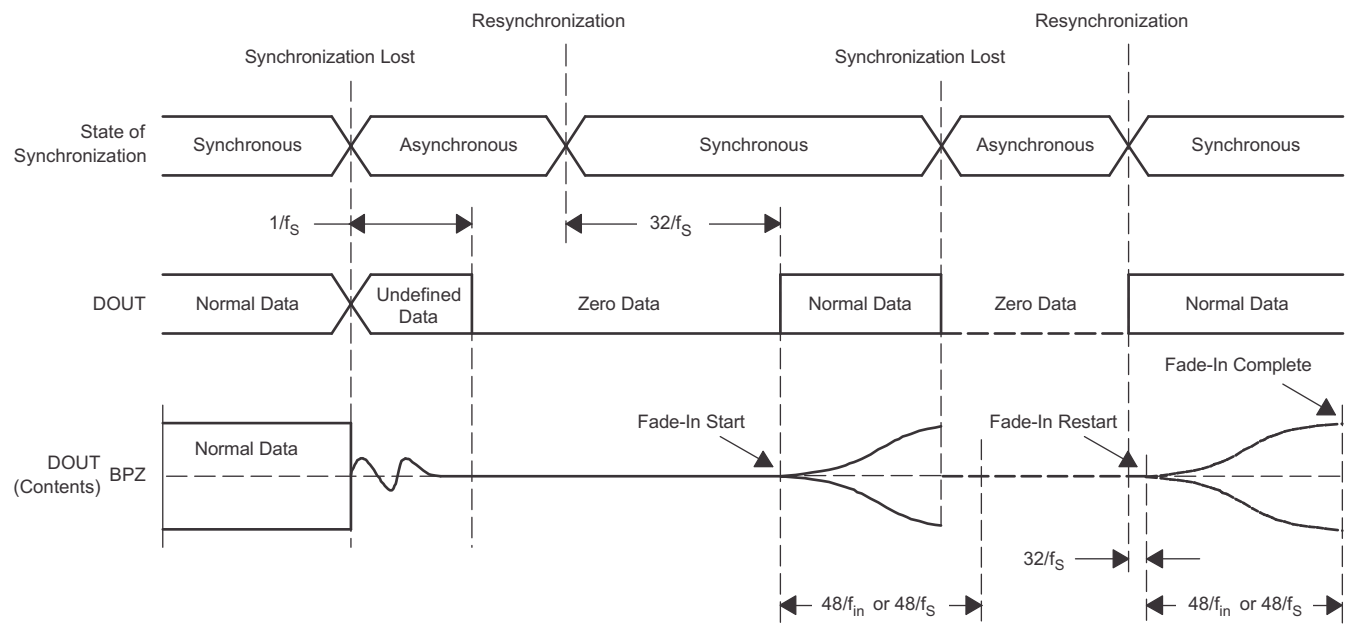


Figure 23. ADC Digital Output for Loss of Synchronization and Resynchronization

### 7.3.4 Power On

The PCM1808 device has an internal power-on-reset circuit, and initialization (reset) occurs automatically when the power supply ( $V_{DD}$ ) exceeds 2.2 V (typical). While  $V_{DD} < 2.2$  V (typical), and for 1024 system-clock counts after  $V_{DD} > 2.2$  V (typical), the PCM1808 device stays in the reset state and the digital output remains zero. After release of the reset state,  $8960 / f_S$  seconds must pass before the digital output becomes valid. Because of the performing of the fade-in operation, it takes additional time of  $48 / f_{in}$  or  $48 / f_S$  to obtain the data corresponding to the analog input signal. [Figure 2](#) illustrates the power-on timing and the digital output.

### 7.3.5 Serial Audio Data Interface

The PCM1808 device interfaces the audio system through LRCK (pin 7), BCK (pin 8), and DOUT (pin 9).

#### 7.3.5.1 Interface Mode

MD1 (pin 11) and MD0 (pin 10) select master mode and slave mode as interface modes, both of which the PCM1808 device supports. [Table 2](#) shows the interface-mode selections. It is necessary to set MD1 and MD0 prior to power on.

In master mode, the PCM1808 device provides the timing of serial audio data communications between the PCM1808 device and the digital audio processor or external circuit. While in slave mode, the PCM1808 device receives the timing for data transfer from an external controller.

**Table 2. Interface Modes**

| MD1 (PIN 11) | MD0 (PIN 10) | INTERFACE MODE   |
|--------------|--------------|--|
| Low          | Low          | Slave mode (256 $f_S$ , 384 $f_S$ , 512 $f_S$ autodetection) |
| Low          | High         | Master mode (512 $f_S$ )                                     |
| High         | Low          | Master mode (384 $f_S$ )                                     |
| High         | High         | Master mode (256 $f_S$ )                                     |

##### 7.3.5.1.1 Master Mode

In master mode, BCK and LRCK work as output pins, timing which from the clock circuit of the PCM1808 device controls these pins. The frequency of BCK is constant at 64 BCK/frame.

##### 7.3.5.1.2 Slave Mode

In slave mode, BCK and LRCK work as input pins. The PCM1808 device accepts 64-BCK/frame or 48-BCK/frame format (only for a 384- $f_S$  system clock), not 32-BCK/frame format.

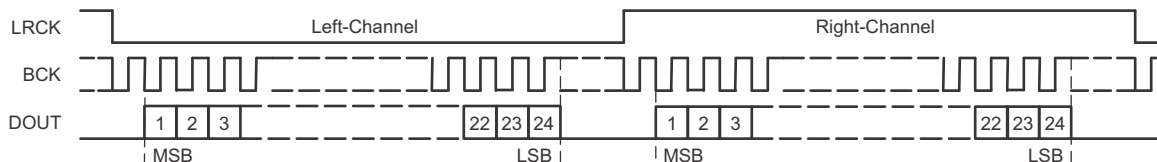
#### 7.3.5.2 Data Format

**Table 3. Data Format**

| FORMAT NO. | FMT (Pin 12) | FORMAT                   |
|------------|--------------|--------------------------|
| 0          | Low          | I <sup>2</sup> S, 24-bit |
| 1          | High         | Left-justified, 24-bit   |

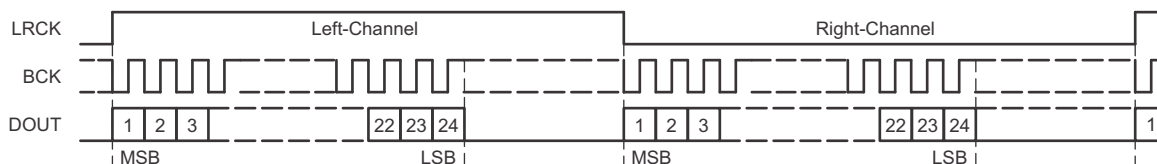
Format 0: FMT = LOW

24-Bit, MSB-First, I<sup>2</sup>S



Format 1: FMT = HIGH

24-Bit, MSB-First, Left-Justified



**Figure 24. Audio Data Format (LRCK and BCK Work as Inputs in Slave Mode and as Outputs in Master Mode)**

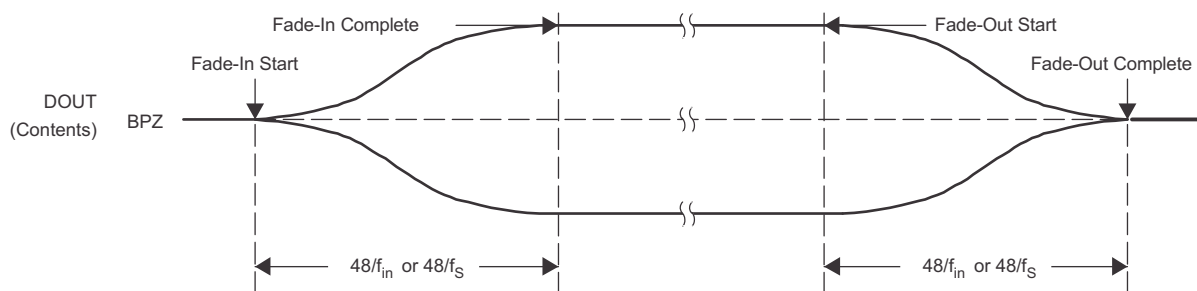
### 7.3.5.3 Interface Timing

Figure 4 and Figure 5 illustrate the interface timing in slave mode and master mode, respectively.

## 7.4 Device Functional Modes

### 7.4.1 Fade-In and Fade-Out Functions

The PCM1808 device has fade-in and fade-out functions on DOUT (pin 9) to avoid pop noise, and the functions come into operation in some cases as described in several following sections. Performance of the level changes from 0 dB to mute or mute to 0 dB employs calculated pseudo S-shaped characteristics with zero-cross detection. Because of the zero-cross detection, the time needed for the fade-in and fade-out depends on the analog input frequency ( $f_{in}$ ). It takes  $48 / f_{in}$  to complete the processing. If there is no zero-cross during  $8192 / f_S$ , a forced DOUT fade-in or fade-out occurs during  $48 / f_S$  (TIME OUT). Figure 25 illustrates the fade-in and fade-out operation processing.



**Figure 25. Fade-In and Fade-Out Operations**

## Device Functional Modes (continued)

### 7.4.2 Clock-Halt Power-Down and Reset Function

The PCM1808 device has a power-down and reset function. Halting SCKI (pin 6) in both master and slave modes triggers this function. The function is available any time after power on. Reset and power down occur automatically 4  $\mu$ s (minimum) after the halt of SCKI. During assertion of the clock-halt reset, the PCM1808 device stays in the reset and power-down mode, with DOUT (pin 9) forced to zero. Release the reset and power-down mode requires the supply of SCKI. The digital output is valid after release of the reset state and elapse of the time of  $1024 \text{ SCKI} + 8960 / f_s$ . Performing the fade-in operation takes additional time of  $48 / f_{in}$  or  $48 / f_s$  to attain the level corresponding to the analog input signal. [Figure 3](#) illustrates the clock-halt reset timing.

To avoid ADC performance degradation, BCK (pin 8) and LRCK (pin 7) must synchronize with SCKI within  $4480 / f_s$  after the resumption of SCKI. If it takes more than  $4480 / f_s$  for BCK and LRCK to synchronize with SCKI, mask SCKI until it again achieves synchronization, taking care of glitch and jitter. See the typical circuit connection diagram, [Figure 26](#).

To avoid ADC performance degradation, assertion of the clock-halt reset is necessary when changing system clock SCKI or the audio interface clocks BCK and LRCK (sampling rate  $f_s$ ) on the fly.

## 8 Application and Implementation

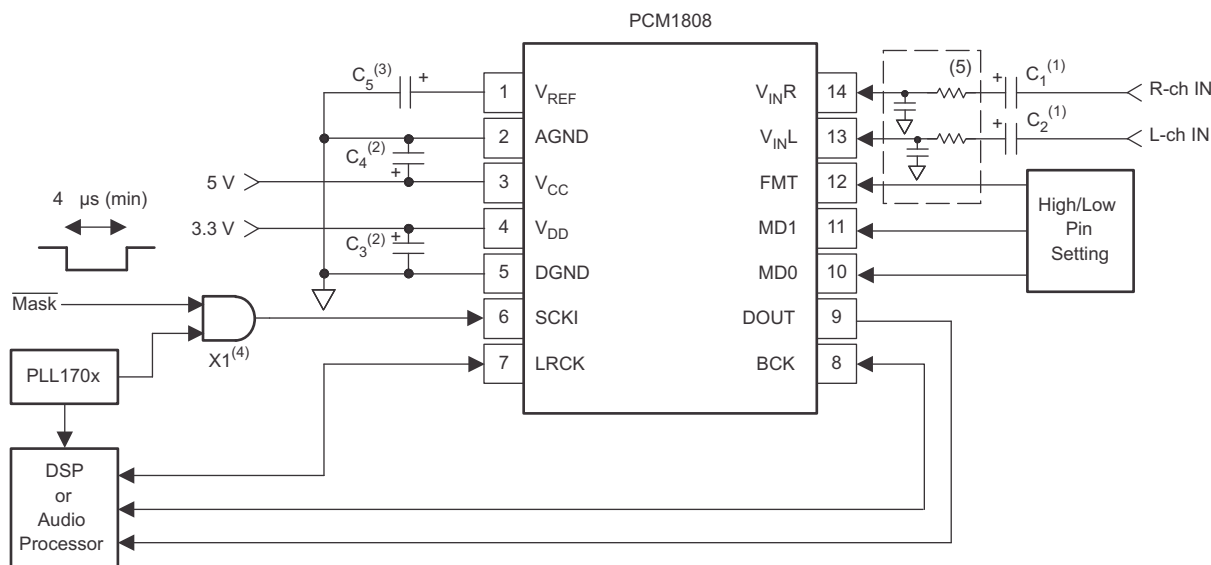
### NOTE

Information in the following applications sections is not part of the TI component specification, and TI does not warrant its accuracy or completeness. TI's customers are responsible for determining suitability of components for their purposes. Customers should validate and test their design implementation to confirm system functionality.

### 8.1 Application Information

The PCM1808 device is suitable for wide variety of cost-sensitive consumer applications requiring good performance and operation with a 5-V analog supply and 3.3-V digital supply.

### 8.2 Typical Application



- (1) C1, C2: A 1- $\mu$ F electrolytic capacitor gives 2.7 Hz ( $\tau = 1 \mu\text{F} \times 60 \text{ k}\Omega$ ) cutoff frequency for the input HPF in normal operation and requires a power-on settling time with a 60-ms time constant in the power-on initialization period.
- (2) C3, C4: Bypass capacitors, 0.1- $\mu$ F ceramic and 10- $\mu$ F electrolytic, depending on layout and power supply
- (3) C5: Recommended capacitors are 0.1- $\mu$ F ceramic and 10- $\mu$ F electrolytic.
- (4) X1: X1 masks the system clock input when using the clock-halt reset function with external control.
- (5) Optional external antialiasing filter could be required, depending on the application.

Figure 26. Typical Circuit Connection Diagram

#### 8.2.1 Design Requirements

For this design example, use the parameters listed in Table 4 as the input parameters.

Table 4. Design Parameters

| DESIGN PARAMETER             | EXAMPLE VALUE           |
|------------------------------|-------------------------|
| Analog input voltage range   | 0 Vp-p to 3 Vp-p        |
| Output                       | PCM audio data          |
| System clock input frequency | 2.048 MHz to 49.152 MHz |
| Output sampling frequency    | 8 kHz to 96 kHz         |
| Power supply                 | 3.3 V and 5 V           |

## 8.2.2 Detailed Design Procedure

### 8.2.2.1 Control Pins

The control pins FMT, MD0, and MD1 should be controlled either by biasing with a 10 kΩ resistor to VDD or GND, or by driving with GPIO from the DSP or audio processor.

### 8.2.2.2 Master Clock

In this application of the PCM1808 device, a PLL170X series device is used as the master clock source to drive both the PCM1808 and the DSP or audio processor synchronously. With the addition of the AND gate, the operation of the PCM1808 device can be halted by control of the MASK bit. A crystal that operates at the standard audio multiples can also be used.

### 8.2.2.3 DSP or Audio Processor

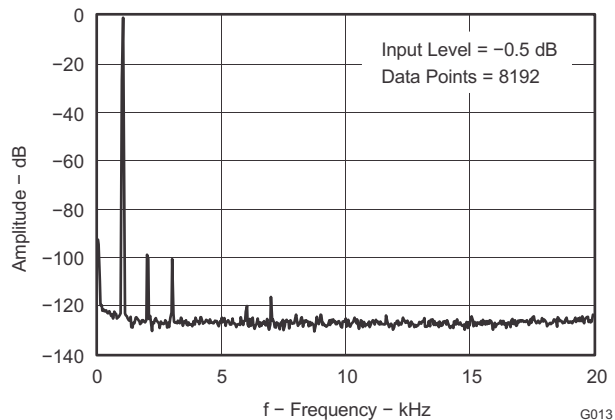
In this application, the DSP or audio processor is acting as the audio master, and the PCM1808 is acting as the audio slave. This means the DSP or audio processor must be able to output audio clocks that the PCM1808 can use to process audio signals.

### 8.2.2.4 Input Filters

For the analog input circuit, an ac coupling capacitor should be placed in series with the input. This will remove the dc component of the input signal. An RC filter can also be implemented to filter out-of-band noise to reduce aliasing. The equation below can be used to calculate the cutoff frequency of the optional RC filter for the input.

$$f_c = \frac{1}{2\pi RC} \quad (1)$$

## 8.2.3 Application Curve



**Figure 27. Output Spectrum**

## 9 Power Supply Recommendations

The PCM1808 device requires a 5-V nominal supply and a 3.3-V nominal supply. The 5-V supply is for the analog circuitry powered by the  $V_{CC}$  pin. The 3.3-V supply is for the digital circuitry powered by the  $V_{DD}$  pin. The decoupling capacitors for the power supplies should be placed close to the device terminals.

A  $V_{CC}$  that varies from the nominal 5 V affects the reference voltage for the input. This has a slight impact on the data conversion of the device.

## 10 Layout

### 10.1 Layout Guidelines

#### 10.1.1 $V_{CC}$ , $V_{DD}$ Pins

Bypass the digital and analog power supply lines to the PCM1808 device to the corresponding ground pins with both 0.1- $\mu$ F ceramic and 10- $\mu$ F electrolytic capacitors as close to the pins as possible to maximize the dynamic performance of the ADC.

#### 10.1.2 AGND, DGND Pins

To maximize the dynamic performance of the PCM1808 device, there are no internal connections to the analog and digital grounds. These grounds should have low impedance to avoid digital noise feedback into the analog ground. They should be connected directly to each other under the PCM1808 device package to reduce potential noise problems.

#### 10.1.3 $V_{INL}$ , $V_{INR}$ Pins

$V_{INL}$  and  $V_{INR}$  are single-ended inputs. These inputs have integrated antialias low-pass filters to remove the high-frequency noise outside the audio band. If the performance of these filters is not adequate for an application, the application requires appropriate external antialiasing filters. An appropriate choice would typically be a passive RC filter in the range of 100  $\Omega$  and 0.01  $\mu$ F to 1 k $\Omega$  and 1000 pF.

#### 10.1.4 $V_{REF}$ Pin

To ensure low source impedance of the ADC references, the recommended capacitors between  $V_{REF}$  and AGND are 0.1- $\mu$ F ceramic and 10- $\mu$ F electrolytic. These capacitors should be located as close as possible to the  $V_{REF}$  pin to reduce dynamic errors on the ADC references.

#### 10.1.5 DOUT Pin

The DOUT pin has a large load-drive capability, but if the DOUT line is long, a recommended practice is to locate a buffer near the PCM1808 device and minimize load capacitance to minimize the digital-analog crosstalk and maximize the dynamic performance of the ADC.

#### 10.1.6 System Clock

The quality of the system clock can influence dynamic performance, as the PCM1808 device operates based on a system clock. Therefore, it may be necessary to consider the system clock duty, jitter, and the time difference between system clock transition and BCK or LRCK transition in slave mode.

PCM1808

SLES177B – APRIL 2006 – REVISED AUGUST 2015

www.ti.com

10.2 Layout Example

It is recommended to place a top layer ground pour for shielding around PCM1808 and connect to lower main PCB ground plane by multiple vias

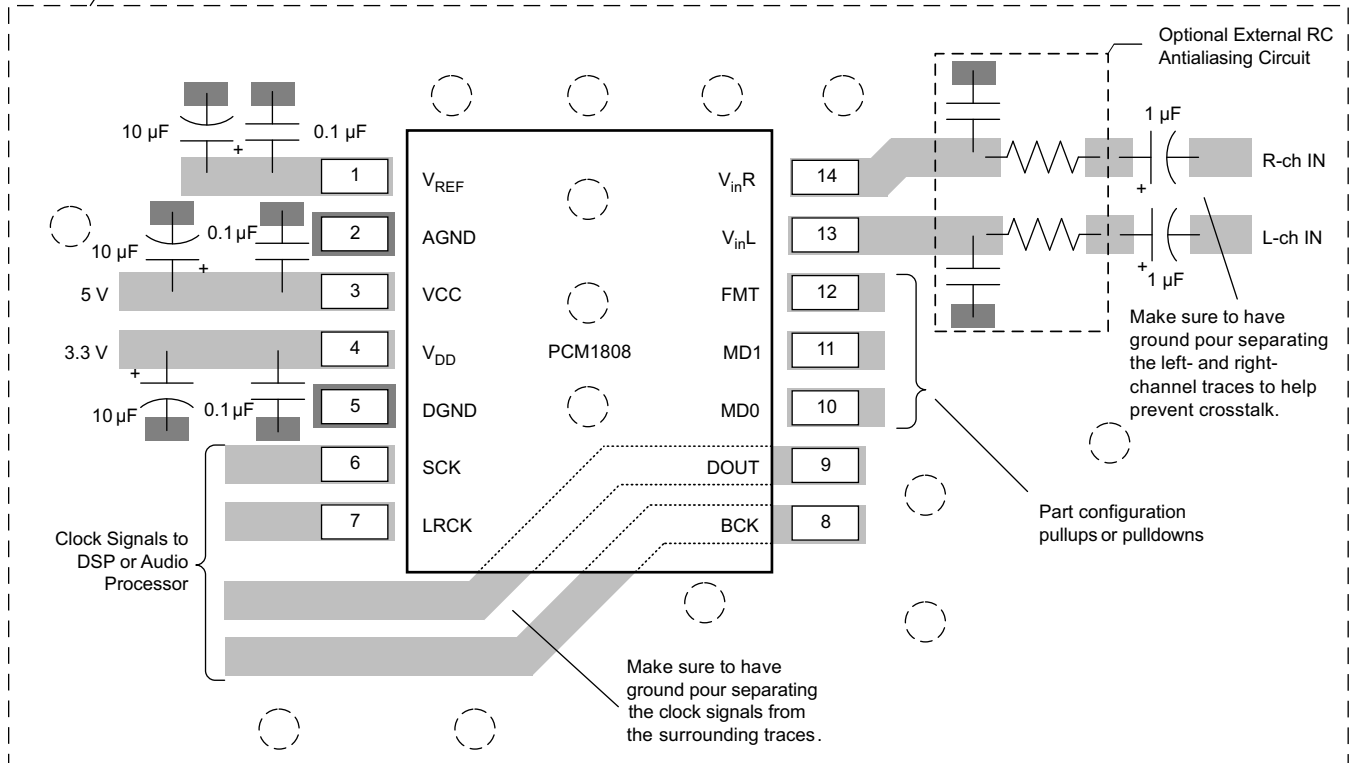


Figure 28. PCM1808 Layout Example

## 11 Device and Documentation Support

### 11.1 Community Resources

The following links connect to TI community resources. Linked contents are provided "AS IS" by the respective contributors. They do not constitute TI specifications and do not necessarily reflect TI's views; see TI's [Terms of Use](#).

**TI E2E™ Online Community** *TI's Engineer-to-Engineer (E2E) Community*. Created to foster collaboration among engineers. At [e2e.ti.com](http://e2e.ti.com), you can ask questions, share knowledge, explore ideas and help solve problems with fellow engineers.

**Design Support** *TI's Design Support* Quickly find helpful E2E forums along with design support tools and contact information for technical support.

### 11.2 Trademarks

E2E is a trademark of Texas Instruments.

Audio Precision is a trademark of Audio Precision, Inc.

All other trademarks are the property of their respective owners.

### 11.3 Electrostatic Discharge Caution



These devices have limited built-in ESD protection. The leads should be shorted together or the device placed in conductive foam during storage or handling to prevent electrostatic damage to the MOS gates.

### 11.4 Glossary

[SLYZ022](#) — *TI Glossary*.

This glossary lists and explains terms, acronyms, and definitions.

## 12 Mechanical, Packaging, and Orderable Information

The following pages include mechanical, packaging, and orderable information. This information is the most-current data available for the designated device. This data is subject to change without notice and without revision of this document. For browser-based versions of this data sheet, see the left-hand navigation pane.

**PACKAGING INFORMATION**

| Orderable Device | Status<br>(1) | Package Type | Package Drawing | Pins | Package Qty | Eco Plan<br>(2) | Lead finish/<br>Ball material<br>(6) | MSL Peak Temp<br>(3) | Op Temp (°C) | Device Marking<br>(4/5) | Samples                 |
|------------------|---------------|--------------|-----------------|------|-------------|-----------------|--------------------------------------|----------------------|--------------|-------------------------|-------------------------|
| PCM1808PW        | ACTIVE        | TSSOP        | PW              | 14   | 90          | RoHS & Green    | NIPDAU                               | Level-1-260C-UNLIM   | -40 to 85    | PCM1808                 | <a href="#">Samples</a> |
| PCM1808PWG4      | ACTIVE        | TSSOP        | PW              | 14   | 90          | RoHS & Green    | NIPDAU                               | Level-1-260C-UNLIM   | -40 to 85    | PCM1808                 | <a href="#">Samples</a> |
| PCM1808PWR       | ACTIVE        | TSSOP        | PW              | 14   | 2000        | RoHS & Green    | NIPDAU                               | Level-1-260C-UNLIM   | -40 to 85    | PCM1808                 | <a href="#">Samples</a> |
| PCM1808PWRG4     | ACTIVE        | TSSOP        | PW              | 14   | 2000        | RoHS & Green    | NIPDAU                               | Level-1-260C-UNLIM   | -40 to 85    | PCM1808                 | <a href="#">Samples</a> |

(1) The marketing status values are defined as follows:

**ACTIVE:** Product device recommended for new designs.

**LIFEBUY:** TI has announced that the device will be discontinued, and a lifetime-buy period is in effect.

**NRND:** Not recommended for new designs. Device is in production to support existing customers, but TI does not recommend using this part in a new design.

**PREVIEW:** Device has been announced but is not in production. Samples may or may not be available.

**OBSELETE:** TI has discontinued the production of the device.

(2) **RoHS:** TI defines "RoHS" to mean semiconductor products that are compliant with the current EU RoHS requirements for all 10 RoHS substances, including the requirement that RoHS substance do not exceed 0.1% by weight in homogeneous materials. Where designed to be soldered at high temperatures, "RoHS" products are suitable for use in specified lead-free processes. TI may reference these types of products as "Pb-Free".

**RoHS Exempt:** TI defines "RoHS Exempt" to mean products that contain lead but are compliant with EU RoHS pursuant to a specific EU RoHS exemption.

**Green:** TI defines "Green" to mean the content of Chlorine (Cl) and Bromine (Br) based flame retardants meet JS709B low halogen requirements of <=1000ppm threshold. Antimony trioxide based flame retardants must also meet the <=1000ppm threshold requirement.

(3) MSL, Peak Temp. - The Moisture Sensitivity Level rating according to the JEDEC industry standard classifications, and peak solder temperature.

(4) There may be additional marking, which relates to the logo, the lot trace code information, or the environmental category on the device.

(5) Multiple Device Markings will be inside parentheses. Only one Device Marking contained in parentheses and separated by a "-" will appear on a device. If a line is indented then it is a continuation of the previous line and the two combined represent the entire Device Marking for that device.

(6) Lead finish/Ball material - Orderable Devices may have multiple material finish options. Finish options are separated by a vertical ruled line. Lead finish/Ball material values may wrap to two lines if the finish value exceeds the maximum column width.

**Important Information and Disclaimer:**The information provided on this page represents TI's knowledge and belief as of the date that it is provided. TI bases its knowledge and belief on information provided by third parties, and makes no representation or warranty as to the accuracy of such information. Efforts are underway to better integrate information from third parties. TI has taken and

continues to take reasonable steps to provide representative and accurate information but may not have conducted destructive testing or chemical analysis on incoming materials and chemicals. TI and TI suppliers consider certain information to be proprietary, and thus CAS numbers and other limited information may not be available for release.

In no event shall TI's liability arising out of such information exceed the total purchase price of the TI part(s) at issue in this document sold by TI to Customer on an annual basis.

**OTHER QUALIFIED VERSIONS OF PCM1808 :**

- Automotive: [PCM1808-Q1](#)

**NOTE: Qualified Version Definitions:**

- Automotive - Q100 devices qualified for high-reliability automotive applications targeting zero defects

**TAPE AND REEL INFORMATION**

**QUADRANT ASSIGNMENTS FOR PIN 1 ORIENTATION IN TAPE**


\*All dimensions are nominal

| Device     | Package Type | Package Drawing | Pins | SPQ  | Reel Diameter (mm) | Reel Width W1 (mm) | A0 (mm) | B0 (mm) | K0 (mm) | P1 (mm) | W (mm) | Pin1 Quadrant |
|------------|--------------|-----------------|------|------|--------------------|--------------------|---------|---------|---------|---------|--------|---------------|
| PCM1808PWR | TSSOP        | PW              | 14   | 2000 | 330.0              | 12.4               | 6.9     | 5.6     | 1.6     | 8.0     | 12.0   | Q1            |

**TAPE AND REEL BOX DIMENSIONS**


\*All dimensions are nominal

| Device     | Package Type | Package Drawing | Pins | SPQ  | Length (mm) | Width (mm) | Height (mm) |
|------------|--------------|-----------------|------|------|-------------|------------|-------------|
| PCM1808PWR | TSSOP        | PW              | 14   | 2000 | 356.0       | 356.0      | 35.0        |

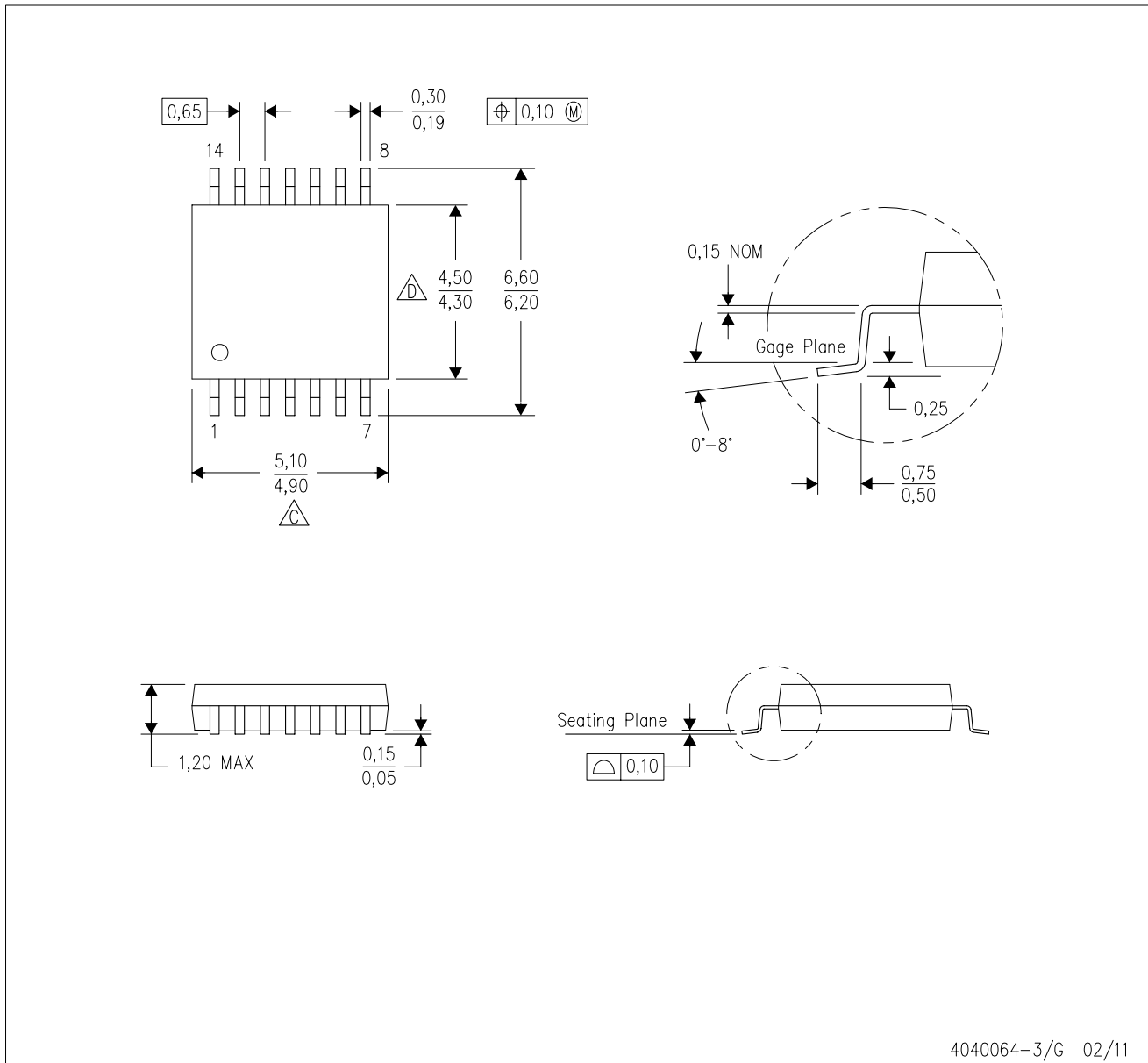
**TUBE**


\*All dimensions are nominal

| Device      | Package Name | Package Type | Pins | SPQ | L (mm) | W (mm) | T (μm) | B (mm) |
|-------------|--------------|--------------|------|-----|--------|--------|--------|--------|
| PCM1808PW   | PW           | TSSOP        | 14   | 90  | 530    | 10.2   | 3600   | 3.5    |
| PCM1808PW   | PW           | TSSOP        | 14   | 90  | 530    | 10.2   | 3600   | 3.5    |
| PCM1808PWG4 | PW           | TSSOP        | 14   | 90  | 530    | 10.2   | 3600   | 3.5    |
| PCM1808PWG4 | PW           | TSSOP        | 14   | 90  | 530    | 10.2   | 3600   | 3.5    |

PW (R-PDSO-G14)

PLASTIC SMALL OUTLINE



4040064-3/G 02/11

- NOTES:
- A. All linear dimensions are in millimeters. Dimensioning and tolerancing per ASME Y14.5M-1994.
  - B. This drawing is subject to change without notice.
  - C. Body length does not include mold flash, protrusions, or gate burrs. Mold flash, protrusions, or gate burrs shall not exceed 0,15 each side.
  - D. Body width does not include interlead flash. Interlead flash shall not exceed 0,25 each side.
  - E. Falls within JEDEC MO-153

PW (R-PDSO-G14)

PLASTIC SMALL OUTLINE



4211284-2/G 08/15

- NOTES:
- A. All linear dimensions are in millimeters.
  - B. This drawing is subject to change without notice.
  - C. Publication IPC-7351 is recommended for alternate designs.
  - D. Laser cutting apertures with trapezoidal walls and also rounding corners will offer better paste release. Customers should contact their board assembly site for stencil design recommendations. Refer to IPC-7525 for other stencil recommendations.
  - E. Customers should contact their board fabrication site for solder mask tolerances between and around signal pads.

## IMPORTANT NOTICE AND DISCLAIMER

TI PROVIDES TECHNICAL AND RELIABILITY DATA (INCLUDING DATA SHEETS), DESIGN RESOURCES (INCLUDING REFERENCE DESIGNS), APPLICATION OR OTHER DESIGN ADVICE, WEB TOOLS, SAFETY INFORMATION, AND OTHER RESOURCES "AS IS" AND WITH ALL FAULTS, AND DISCLAIMS ALL WARRANTIES, EXPRESS AND IMPLIED, INCLUDING WITHOUT LIMITATION ANY IMPLIED WARRANTIES OF MERCHANTABILITY, FITNESS FOR A PARTICULAR PURPOSE OR NON-INFRINGEMENT OF THIRD PARTY INTELLECTUAL PROPERTY RIGHTS.

These resources are intended for skilled developers designing with TI products. You are solely responsible for (1) selecting the appropriate TI products for your application, (2) designing, validating and testing your application, and (3) ensuring your application meets applicable standards, and any other safety, security, regulatory or other requirements.

These resources are subject to change without notice. TI grants you permission to use these resources only for development of an application that uses the TI products described in the resource. Other reproduction and display of these resources is prohibited. No license is granted to any other TI intellectual property right or to any third party intellectual property right. TI disclaims responsibility for, and you will fully indemnify TI and its representatives against, any claims, damages, costs, losses, and liabilities arising out of your use of these resources.

TI's products are provided subject to [TI's Terms of Sale](#) or other applicable terms available either on [ti.com](http://ti.com) or provided in conjunction with such TI products. TI's provision of these resources does not expand or otherwise alter TI's applicable warranties or warranty disclaimers for TI products.

TI objects to and rejects any additional or different terms you may have proposed.

Mailing Address: Texas Instruments, Post Office Box 655303, Dallas, Texas 75265  
Copyright © 2022, Texas Instruments Incorporated

## Looking for pricing, stock, or lifecycle information?

Click below to explore more details on WIN SOURCE:

 [View PCM1808PWRG4](#) on WIN SOURCE

 [Texas Instruments](#) Information

## Optimize Your Supply Chain with WIN SOURCE Solutions

-  Global Sourcing Solution
-  Obsolete Management
-  Cost Control Management
-  Shortage Management
-  Alternative Solution
-  Excess Inventory Management