



**THE DATASHEET OF  
PCM1742E/2K**



## 24-Bit, 192-kHz Sampling, Enhanced Multilevel, Delta-Sigma, Audio Digital-to-Analog Converter

### FEATURES

- 24-Bit Resolution
- Analog Performance ( $V_{CC} = 5\text{ V}$ ):
  - Dynamic Range:
    - 106 dB, Typical (PCM1742KE)
    - 100 dB, Typical (PCM1742E)
  - SNR:
    - 106 dB, Typical (PCM1742KE)
    - 100 dB, Typical (PCM1742E)
  - THD+N:
    - 0.002%, Typical (PCM1742KE)
    - 0.003%, Typical (PCM1742E)
  - Full-Scale Output: 3.1  $V_{p-p}$ , Typical
- 4x/8x Oversampling Digital Filter:
  - Stop-Band Attenuation: –55 dB
  - Pass-Band Ripple:  $\pm 0.03\text{ dB}$
- Sampling Frequency: 5 kHz to 200 kHz
- System Clock: 128  $f_S$ , 192  $f_S$ , 256  $f_S$ , 384  $f_S$ , 512  $f_S$ , 768  $f_S$  With Autodetect
- Accepts 16-, 18-, 20-, and 24-Bit Audio Data
- Data Formats: Standard, I<sup>2</sup>S, and Left-Justified
- User-Programmable Mode Controls:
  - Digital Attenuation: 0 dB to –63 dB, 0.5 dB/Step
  - Digital De-Emphasis
  - Digital Filter Rolloff: Sharp or Slow
  - Soft Mute
  - Zero Flags for Each Output
- Dual-Supply Operation: 5-V Analog, 3.3-V Digital
- 5-V Tolerant Digital Inputs
- Small SSOP-16 Package

### APPLICATIONS

- AV Receivers
- DVD Movie Players
- DVD Add-On Cards for High-End PCs
- DVD Audio Players
- HDTV Receivers
- Car Audio Systems
- Other Applications Requiring 24-Bit Audio

### DESCRIPTION

The PCM1742 is a CMOS, monolithic, integrated circuit which includes stereo digital-to-analog converters (DACs) and support circuitry in a small SSOP-16 package. The data converters use Texas Instruments' enhanced multilevel delta-sigma architecture that employs fourth-order noise shaping and 8-level amplitude quantization to achieve excellent dynamic performance and improved tolerance to clock jitter. The PCM1742 accepts industry-standard audio data formats with 16- to 24-bit data, providing easy interfacing to audio DSP and decoder chips. Sampling rates up to 200 kHz are supported. A full set of user-programmable functions is accessible through a 3-wire serial control port that supports register write functions.



Please be aware that an important notice concerning availability, standard warranty, and use in critical applications of Texas Instruments semiconductor products and disclaimers thereto appears at the end of this data sheet.

FilterPro is a trademark of Texas Instruments.

System Two, Audio Precision are trademarks of Audio Precision, Inc.

All trademarks are the property of their respective owners.

**ABSOLUTE MAXIMUM RATINGS<sup>(1)</sup>**

over operating free-air temperature range (unless otherwise noted)

Power supply voltage, $V_{DD}$	–0.3 V to 4 V
Power supply voltage, $V_{CC}$	–0.3 V to 6.5 V
Supply voltage difference, $V_{CC}$ , $V_{DD}$	$V_{CC} - V_{DD} < 3$ V
Ground voltage differences	$\pm 0.1$ V
Digital input voltage	–0.3 V to 6.5 V
Input current (except power supply pins)	$\pm 10$ mA
Ambient temperature under bias	–40°C to 125°C
Storage temperature, $T_{stg}$	–55°C to 150°C
Junction temperature, $T_J$	150°C
Lead temperature (soldering)	260°C, 5 s
Package temperature (IR reflow, peak)	235°C

(1) Stresses beyond those listed under "absolute maximum ratings" may cause permanent damage to the device. These are stress ratings only, and functional operation of the device at these or any other conditions beyond those indicated under "recommended operating conditions" is not implied. Exposure to absolute-maximum-rated conditions for extended periods may affect device reliability.

**RECOMMENDED OPERATING CONDITIONS**

over operating free-air temperature range

		MIN	NOM	MAX	UNIT
Digital supply voltage, $V_{DD}$		3	3.3	3.6	V
Analog supply voltage, $V_{CC}$		4.5	5	5.5	V
Digital input logic family		TTL			
Digital input clock frequency	System clock	8.192		36.864	MHz
	Sampling clock	32		192	kHz
Analog output load resistance		5			k $\Omega$
Analog output load capacitance				50	pF
Digital output load capacitance				20	pF
Operating free-air temperature, $T_A$		–25		85	°C

**ELECTRICAL CHARACTERISTICS**

All specifications at  $T_A = 25^\circ\text{C}$ ,  $V_{CC} = 5$  V,  $V_{DD} = 3.3$  V,  $f_S = 44.1$  kHz, system clock =  $384 f_S$ , and 24-bit data (unless otherwise noted)

PARAMETER		TEST CONDITIONS	MIN	TYP	MAX	UNIT
Resolution				24		Bits
<b>DATA FORMAT</b>						
Audio data interface formats			Standard, I <sup>2</sup> S, left-justified			
Audio data bit length			16-, 18-, 20-, 24-bit selectable			
Audio data format			MSB-first, binary 2s complement			
$f_S$	Sampling frequency		5		200	kHz
System clock frequency			128, 192, 256, 384, 512, 768 $f_S$			
<b>DIGITAL INPUT/OUTPUT</b>						
Logic family			TTL compatible			
<b>Input Logic Level</b>						
$V_{IH}$	High-level input voltage		2			Vdc
$V_{IL}$	Low-level input voltage				0.8	Vdc

**ELECTRICAL CHARACTERISTICS (continued)**

 All specifications at  $T_A = 25^\circ\text{C}$ ,  $V_{CC} = 5\text{ V}$ ,  $V_{DD} = 3.3\text{ V}$ ,  $f_S = 44.1\text{ kHz}$ , system clock =  $384 f_S$ , and 24-bit data (unless otherwise noted)

PARAMETER		TEST CONDITIONS	MIN	TYP	MAX	UNIT
<b>Input Logic Current</b>						
$I_{IH}$	High-level input current <sup>(1)</sup>	$V_{IN} = V_{DD}$			10	$\mu\text{A}$
$I_{IL}$	Low-level input current <sup>(1)</sup>	$V_{IN} = 0\text{ V}$			-10	$\mu\text{A}$
$I_{IH}$	High-level input current <sup>(2)</sup>	$V_{IN} = V_{DD}$		65	100	$\mu\text{A}$
$I_{IL}$	Low-level input current <sup>(2)</sup>	$V_{IN} = 0\text{ V}$			-10	$\mu\text{A}$
<b>Output Logic Level</b>						
$V_{OH}$	High-level output voltage <sup>(3)</sup>	$I_{OH} = -2\text{ mA}$	2.4			Vdc
$V_{OL}$	Low-level output voltage <sup>(3)</sup>	$I_{OL} = 2\text{ mA}$			1	Vdc
<b>DYNAMIC PERFORMANCE<sup>(4)(5)</sup></b>						
<b>PCM1742E</b>						
THD+N	Total harmonic distortion + noise	$V_{OUT} = 0\text{ dB}$ , $f_S = 44.1\text{ kHz}$		0.003%	0.008%	
		$V_{OUT} = 0\text{ dB}$ , $f_S = 96\text{ kHz}$		0.004%		
		$V_{OUT} = 0\text{ dB}$ , $f_S = 192\text{ kHz}$		0.005%		
		$V_{OUT} = -60\text{ dB}$ , $f_S = 44.1\text{ kHz}$		1.2%		
		$V_{OUT} = -60\text{ dB}$ , $f_S = 96\text{ kHz}$		1.6%		
		$V_{OUT} = -60\text{ dB}$ , $f_S = 192\text{ kHz}$		1.8%		
Dynamic range		EIAJ, A-weighted, $f_S = 44.1\text{ kHz}$	94	100		dB
		A-weighted, $f_S = 96\text{ kHz}$		98		
		A-weighted, $f_S = 192\text{ kHz}$		96		
SNR	Signal-to-noise ratio	EIAJ, A-weighted, $f_S = 44.1\text{ kHz}$	94	100		dB
		A-weighted, $f_S = 96\text{ kHz}$		98		
		A-weighted, $f_S = 192\text{ kHz}$		96		
Channel separation		$f_S = 44.1\text{ kHz}$	91	98		dB
		$f_S = 96\text{ kHz}$		96		
		$f_S = 192\text{ kHz}$		94		
Level linearity error		$V_{OUT} = -90\text{ dB}$		$\pm 0.5$		dB

(1) Pins 1, 2, 3, 16 (SCK, BCK, LRCK, DATA).

(2) Pins 13–15 (MD, MC, ML).

(3) Pins 11, 12 (ZEROR, ZEROL).

 (4) Analog performance specifications are tested with a Shibasaki #725 THD meter with 400-Hz HPF on, 30-kHz LPF on, and an average mode with 20-kHz bandwidth limiting. The load connected to the analog output is  $5\text{ k}\Omega$  or larger, via capacitive coupling.

 (5) Conditions in 192-kHz operation are: system clock =  $128 f_S$  and oversampling rate =  $64 f_S$  (under register control).

**ELECTRICAL CHARACTERISTICS (continued)**

All specifications at  $T_A = 25^\circ\text{C}$ ,  $V_{CC} = 5\text{ V}$ ,  $V_{DD} = 3.3\text{ V}$ ,  $f_S = 44.1\text{ kHz}$ , system clock =  $384 f_S$ , and 24-bit data (unless otherwise noted)

PARAMETER		TEST CONDITIONS	MIN	TYP	MAX	UNIT
<b>PCM1742KE</b>						
THD+N	Total harmonic distortion + noise	$V_{OUT} = 0\text{ dB}$ , $f_S = 44.1\text{ kHz}$		0.002%	0.006%	
		$V_{OUT} = 0\text{ dB}$ , $f_S = 96\text{ kHz}$		0.003%		
		$V_{OUT} = 0\text{ dB}$ , $f_S = 192\text{ kHz}$		0.004%		
		$V_{OUT} = -60\text{ dB}$ , $f_S = 44.1\text{ kHz}$		0.65%		
		$V_{OUT} = -60\text{ dB}$ , $f_S = 96\text{ kHz}$		0.8%		
		$V_{OUT} = -60\text{ dB}$ , $f_S = 192\text{ kHz}$		0.95%		
Dynamic range		EIAJ, A-weighted, $f_S = 44.1\text{ kHz}$	100	106		dB
		A-weighted, $f_S = 96\text{ kHz}$		104		
		A-weighted, $f_S = 192\text{ kHz}$		102		
SNR	Signal-to-noise ratio	EIAJ, A-weighted, $f_S = 44.1\text{ kHz}$	100	106		dB
		A-weighted, $f_S = 96\text{ kHz}$		104		
		A-weighted, $f_S = 192\text{ kHz}$		102		
Channel separation		$f_S = 44.1\text{ kHz}$	97	103		dB
		$f_S = 96\text{ kHz}$		101		
		$f_S = 192\text{ kHz}$		100		
Level linearity error		$V_{OUT} = -90\text{ dB}$		$\pm 0.5$		dB
<b>DC ACCURACY</b>						
Gain error				$\pm 1$	$\pm 6$	% of FSR
Gain mismatch, channel-to-channel				$\pm 1$	$\pm 3$	% of FSR
Bipolar zero error		$V_{OUT} = 0.5 V_{CC}$ at bipolar zero		$\pm 30$	$\pm 60$	mV
<b>ANALOG OUTPUT</b>						
Output voltage		Full scale (0 dB)		$0.62 V_{CC}$		Vp-p
Center voltage				$0.5 V_{CC}$		Vdc
Load Impedance		AC load		5		k $\Omega$
<b>DIGITAL FILTER PERFORMANCE</b>						
<b>Filter Characteristics, Sharp Rolloff</b>						
Pass band		$\pm 0.03\text{ dB}$			$0.454 f_S$	
Pass band		$-3\text{ dB}$			$0.487 f_S$	
Stop band			$0.546 f_S$			
Pass-band ripple					$\pm 0.03$	dB
Stop-band attenuation		Stop band = $0.546 f_S$		$-50$		dB
		Stop band = $0.567 f_S$		$-55$		
<b>Filter Characteristics, Slow Rolloff</b>						
Pass band		$\pm 0.5\text{ dB}$			$0.198 f_S$	
Pass band		$-3\text{ dB}$			$0.39 f_S$	
Stop band			$0.884 f_S$			
Pass-band ripple					$\pm 0.5$	dB
Stop-band attenuation		Stop band = $0.884 f_S$		$-40$		dB
Delay time				$20/f_S$		s
De-emphasis error				$\pm 0.1$		dB
<b>ANALOG FILTER PERFORMANCE</b>						
Frequency response		$f = 20\text{ kHz}$		$-0.03$		dB
		$f = 44\text{ kHz}$		$-0.20$		

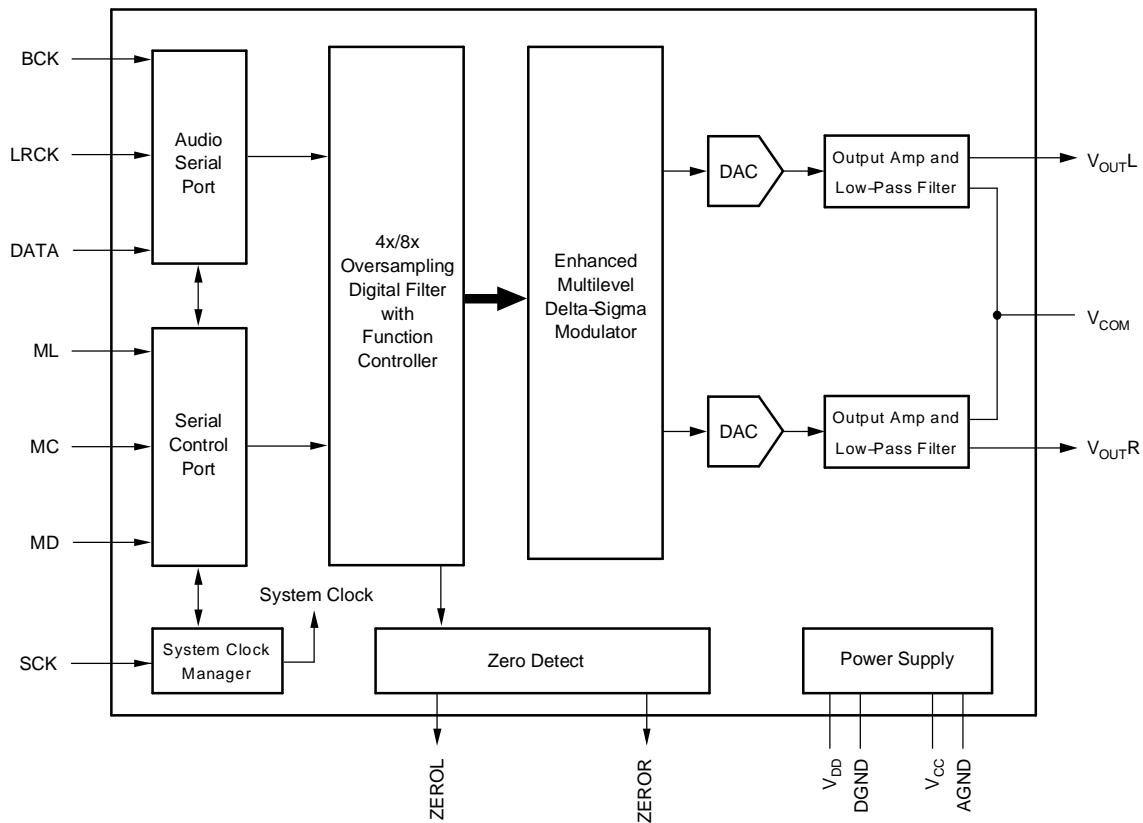
**ELECTRICAL CHARACTERISTICS (continued)**

All specifications at  $T_A = 25^\circ\text{C}$ ,  $V_{CC} = 5\text{ V}$ ,  $V_{DD} = 3.3\text{ V}$ ,  $f_S = 44.1\text{ kHz}$ , system clock =  $384 f_S$ , and 24-bit data (unless otherwise noted)

PARAMETER		TEST CONDITIONS	MIN	TYP	MAX	UNIT
<b>POWER SUPPLY REQUIREMENTS (6)</b>						
$V_{DD}$	Voltage range		3	3.3	3.6	Vdc
$V_{CC}$			4.5	5	5.5	
$I_{DD}$	Supply current	$f_S = 44.1\text{ kHz}$		6	10	mA
		$f_S = 96\text{ kHz}$		13		
		$f_S = 192\text{ kHz}$		16		
$I_{CC}$	Supply current	$f_S = 44.1\text{ kHz}$		8.5	13	mA
		$f_S = 96\text{ kHz}$		9		
		$f_S = 192\text{ kHz}$		9		
	Power dissipation	$f_S = 44.1\text{ kHz}$		62	98	mW
		$f_S = 96\text{ kHz}$		88		
		$f_S = 192\text{ kHz}$		98		
<b>TEMPERATURE RANGE</b>						
$T_A$	Operation temperature		-25		85	$^\circ\text{C}$
$\theta_{JA}$	Thermal resistance			115		$^\circ\text{C/W}$

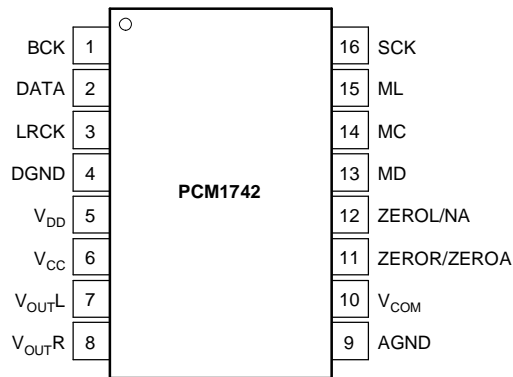
(6) Conditions in 192-kHz operation are: system clock =  $128 f_S$  and oversampling rate =  $64 f_S$  (under register control).

**Functional Block Diagram**



**PIN ASSIGNMENTS**

**PCM1742DBQ PACKAGE  
(TOP VIEW)**



**TERMINAL FUNCTIONS**

TERMINAL		I/O	DESCRIPTION
NAME	NO.		
AGND	9	–	Analog ground
BCK	1	I	Audio data bit clock input <sup>(1)</sup>
DATA	2	I	Audio data digital input <sup>(1)</sup>
DGND	4	–	Digital ground
LRCK	3	I	L-channel and R-channel audio-data latch-enable input <sup>(1)</sup>
MC	14	I	Mode control clock input <sup>(2)</sup>
MD	13	I	Mode control data input <sup>(2)</sup>
ML	15	I	Mode control latch input <sup>(2)</sup>
SCK	16	I	System clock input <sup>(1)</sup>
V <sub>CC</sub>	6	–	Analog power supply, 5 V
V <sub>COM</sub>	10	–	Common voltage decoupling
V <sub>DD</sub>	5	–	Digital power supply, 3.3 V
V <sub>OUTL</sub>	7	O	Analog output for L-channel
V <sub>OUTR</sub>	8	O	Analog output for R-channel
ZEROL/NA	12	O	Zero-flag output for L-channel/No assign
ZEROR/ZEROA	11	O	Zero-flag output for R-channel/Zero-flag output for L-/R-channel

(1) Schmitt-trigger input, 5-V tolerant.

(2) Schmitt-trigger input with internal pulldown, 5-V tolerant.

## TYPICAL PERFORMANCE CURVES

All specifications at  $T_A = 25^\circ\text{C}$ ,  $V_{CC} = 5\text{ V}$ ,  $V_{DD} = 3.3\text{ V}$ ,  $f_S = 44.1\text{ kHz}$ , system clock =  $384 f_S$ , and 24-bit input data, unless otherwise noted

### Digital Filter (De-Emphasis Off)

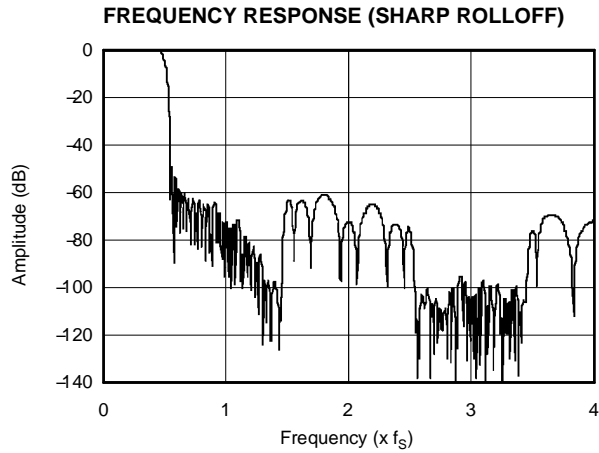


Figure 1.

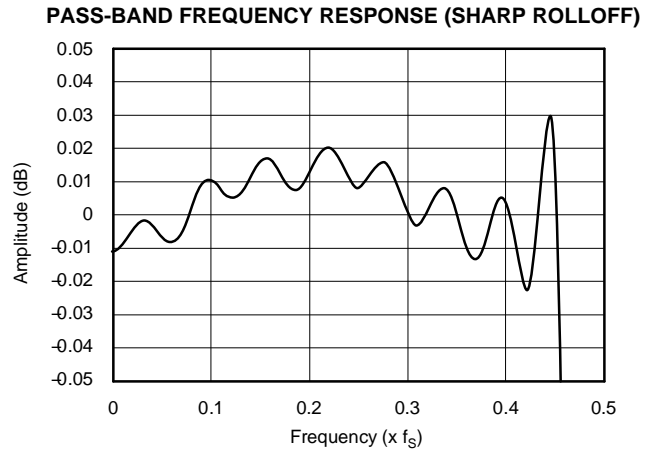


Figure 2.

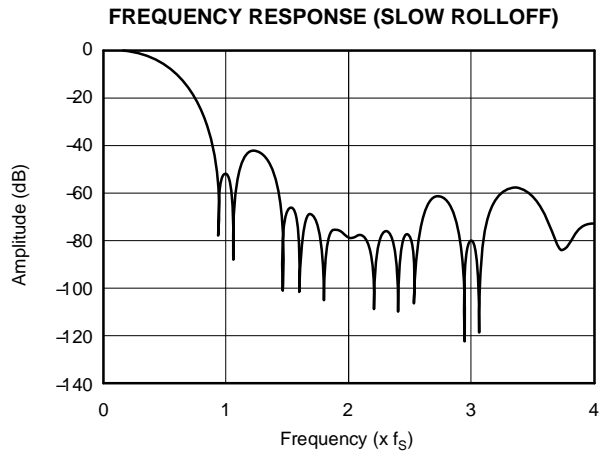


Figure 3.

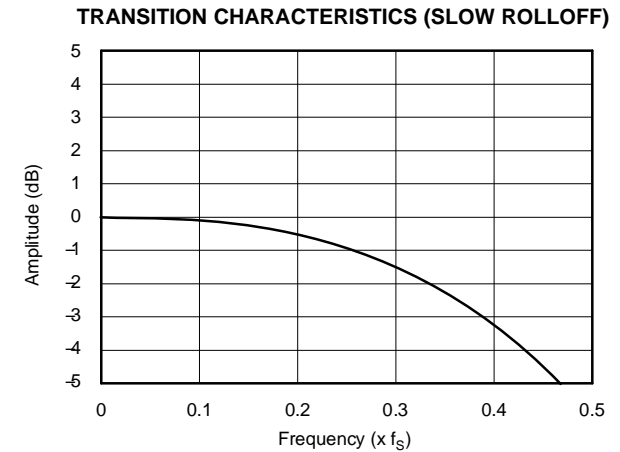


Figure 4.

**TYPICAL PERFORMANCE CURVES (continued)**

All specifications at  $T_A = 25^\circ\text{C}$ ,  $V_{CC} = 5\text{ V}$ ,  $V_{DD} = 3.3\text{ V}$ ,  $f_S = 44.1\text{ kHz}$ , system clock =  $384 f_S$ , and 24-bit input data, unless otherwise noted

**Digital Filter (De-Emphasis)**

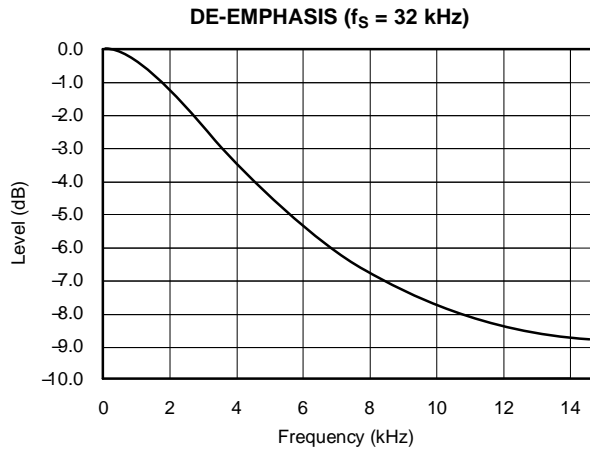


Figure 5.

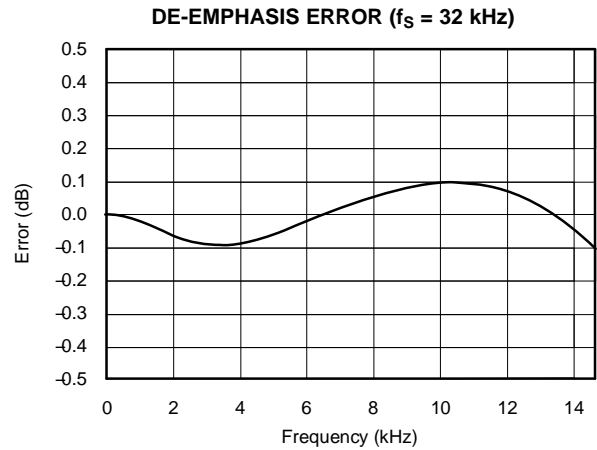


Figure 6.

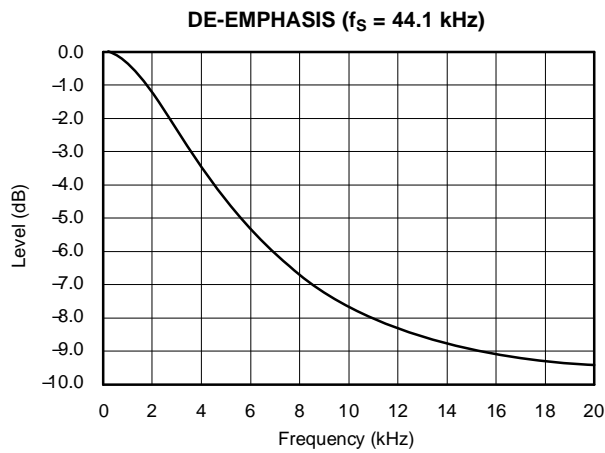


Figure 7.

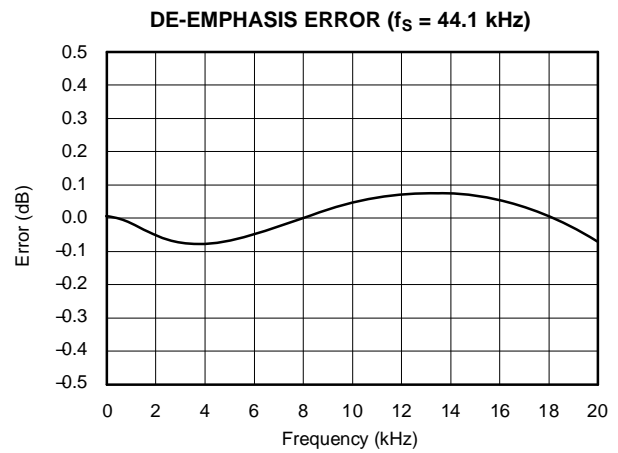


Figure 8.

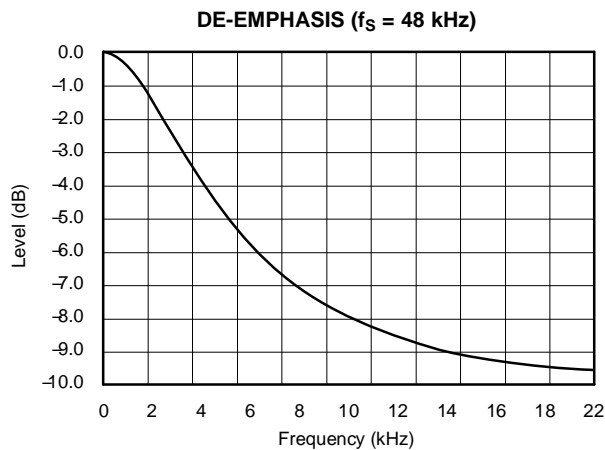


Figure 9.

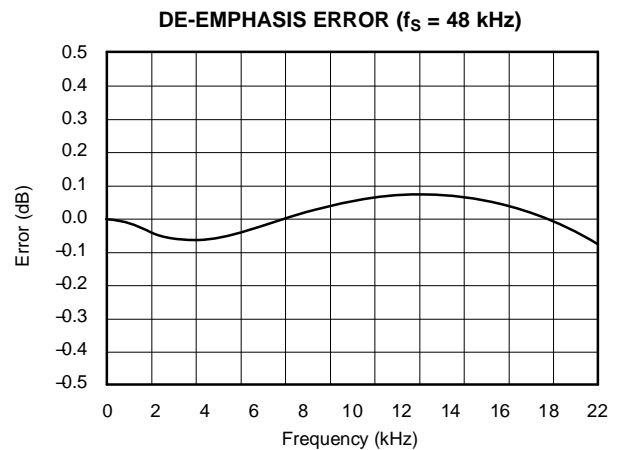


Figure 10.

TYPICAL PERFORMANCE CURVES (continued)

ANALOG DYNAMIC PERFORMANCE

All specifications at  $T_A = 25^\circ\text{C}$ ,  $V_{CC} = 5\text{ V}$ ,  $V_{DD} = 3.3\text{ V}$ , and 24-bit input data, unless otherwise specified. Conditions in 192-kHz operation are system clock =  $128 f_s$  and oversampling rate =  $64 f_s$  (under register control).

Supply Voltage Characteristics

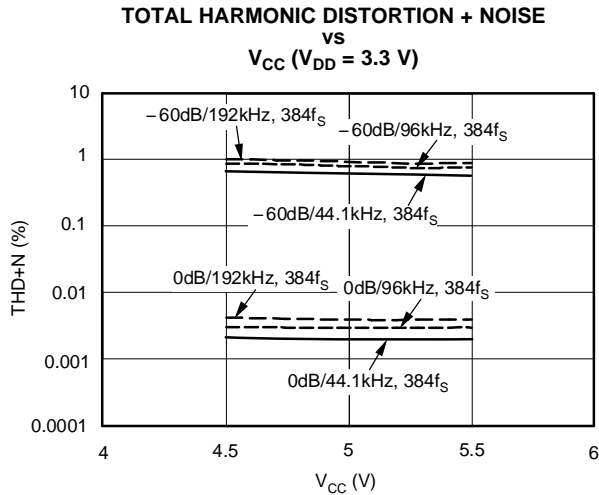


Figure 11.

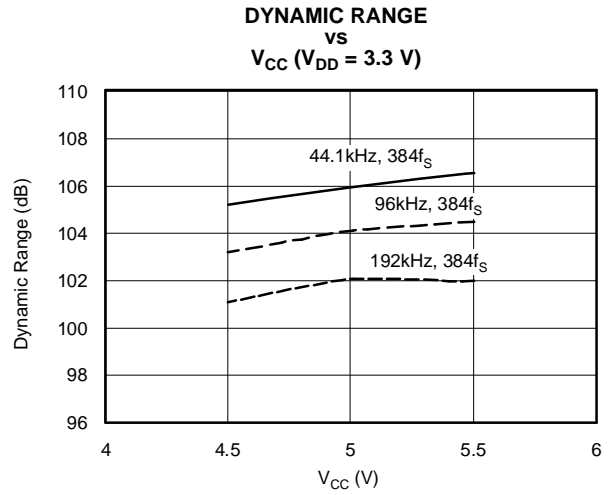


Figure 12.

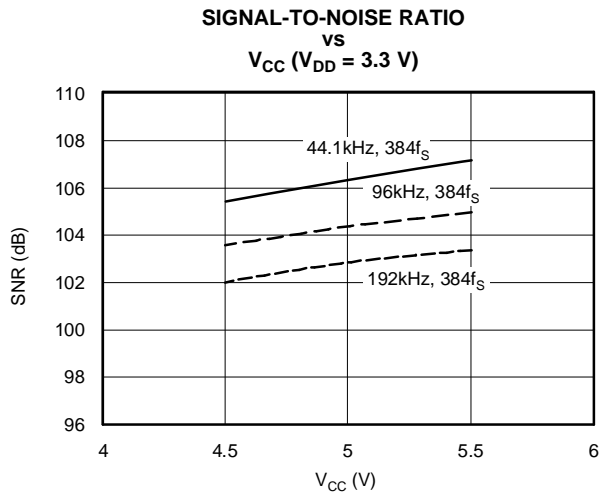


Figure 13.

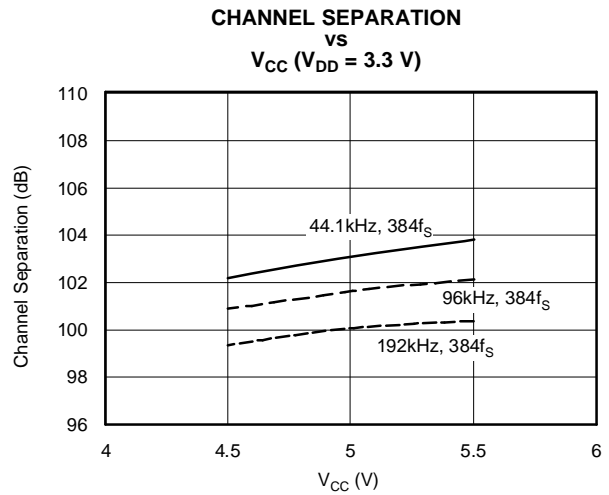


Figure 14.

**TYPICAL PERFORMANCE CURVES (continued)**

**ANALOG DYNAMIC PERFORMANCE (continued)**

All specifications at  $T_A = 25^\circ\text{C}$ ,  $V_{CC} = 5\text{ V}$ ,  $V_{DD} = 3.3\text{ V}$ , and 24-bit input data, unless otherwise specified. Conditions in 192-kHz operation are system clock =  $128 f_s$  and oversampling rate =  $64 f_s$  (under register control).

**Temperature Characteristics**

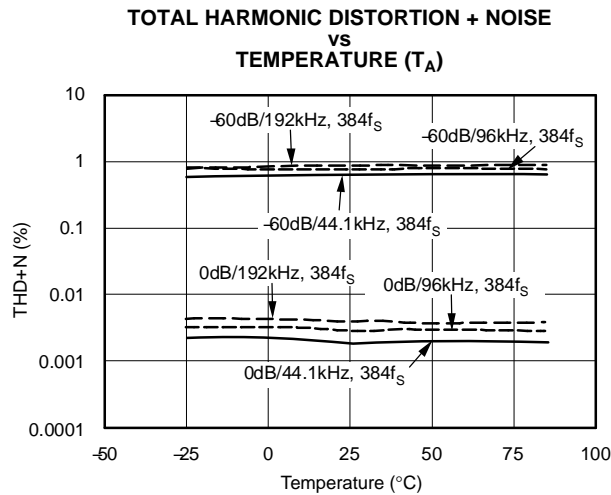


Figure 15.

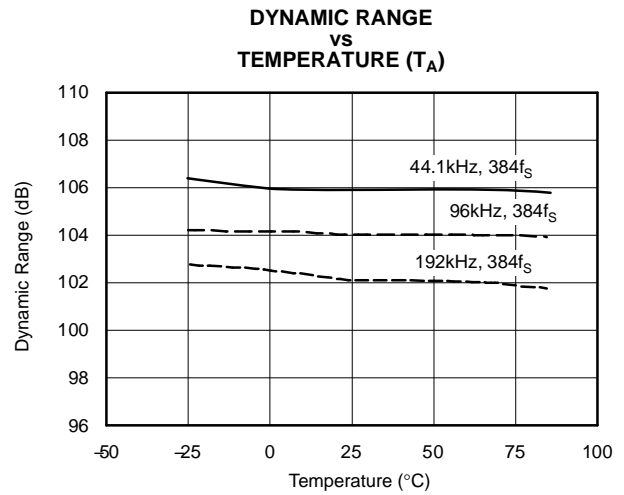


Figure 16.

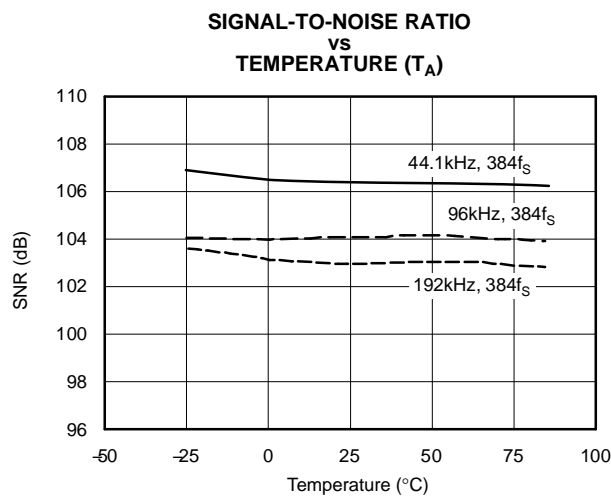


Figure 17.

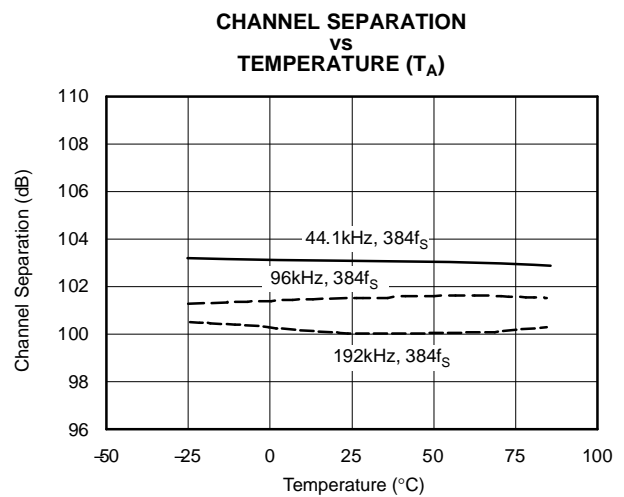


Figure 18.

## SYSTEM CLOCK AND RESET FUNCTIONS

### SYSTEM CLOCK INPUT

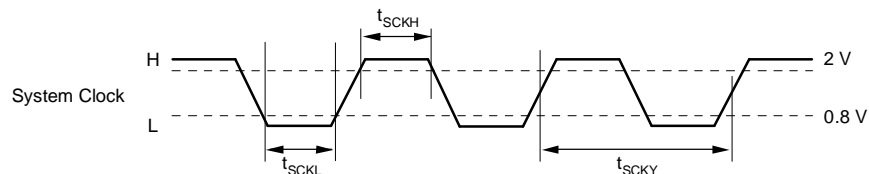
The PCM1742 requires a system clock for operating the digital interpolation filters and multilevel delta-sigma modulators. The system clock is applied at the SCK input (pin 16). Table 1 shows examples of system clock frequencies for common audio sampling rates.

Figure 19 shows the timing requirements for the system clock input. For optimal performance, it is important to use a clock source with low phase jitter and noise. The PLL1700 multiclock generator from Texas Instruments is an excellent choice for providing the PCM1742 system clock.

**Table 1. System Clock Rates for Common Audio Sampling Frequencies**

SAMPLING FREQUENCY	SYSTEM CLOCK FREQUENCY ( $f_{SCLK}$ ) (MHz)					
	128 $f_S$	192 $f_S$	256 $f_S$	384 $f_S$	512 $f_S$	768 $f_S$
8 kHz	(1)	(1)	2.048	3.072	4.096	6.144
16 kHz	(1)	(1)	4.096	6.144	8.192	12.288
32 kHz	(1)	(1)	8.192	12.288	16.384	24.576
44.1 kHz	(1)	(1)	11.2896	16.9344	22.5792	33.8688
48 kHz	(1)	(1)	12.288	18.432	24.576	36.864
88.2 kHz	(1)	(1)	22.5792	33.8688	45.1584	(1)
96 kHz	(1)	(1)	24.576	36.864	49.152	(1)
192 kHz	24.576	36.864	(1)	(1)	(1)	(1)

(1) This system clock is not supported for the given sampling frequency.



SYMBOL	DESCRIPTION	MIN	MAX	UNIT
$t_{SCKY}$	System clock cycle time <sup>(1)</sup>	20		ns
$t_{SCKH}$	System clock pulse duration, HIGH	7		ns
$t_{SCKL}$	System clock pulse duration, LOW	7		ns

(1) 1/128  $f_S$ , 1/192  $f_S$ , 1/256  $f_S$ , 1/384  $f_S$ , 1/512  $f_S$ , or 1/768  $f_S$

**Figure 19. System Clock Input Timing**

## POWER-ON RESET FUNCTIONS

The PCM1742 includes a power-on-reset function, as shown in Figure 20. With the system clock active and  $V_{DD} > 2\text{ V}$  (typical, 1.6 V to 2.4 V), the power-on-reset function is enabled. The initialization sequence requires 1024 system clocks from the time  $V_{DD} > 2\text{ V}$ . After the initialization period, the PCM1742 is set to its reset default state, as described in the *Mode Control Registers* section of this data sheet.

During the reset period (1024 system clocks), the analog outputs are forced to the bipolar zero level, or  $V_{CC}/2$ . After the reset period, all the mode control registers are initialized in the next  $1/f_S$  period and, if SCK, BCK, and LRCK are provided continuously, the PCM1742 provides proper analog output with group delay corresponding to the input data.

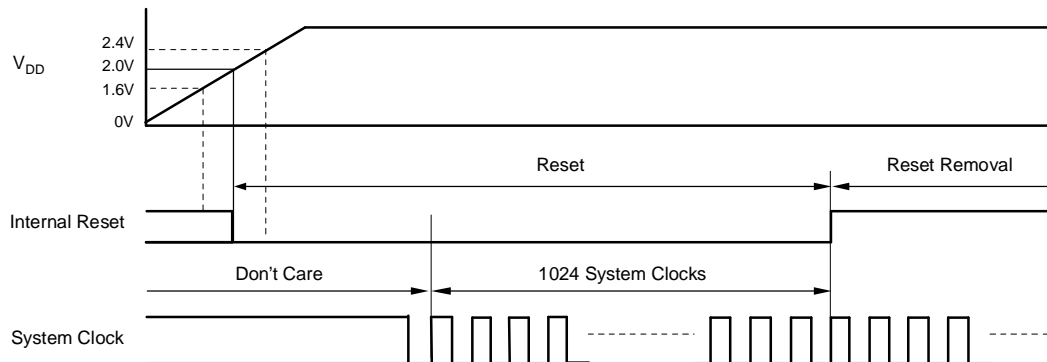


Figure 20. Power-On-Reset Timing

## AUDIO SERIAL INTERFACE

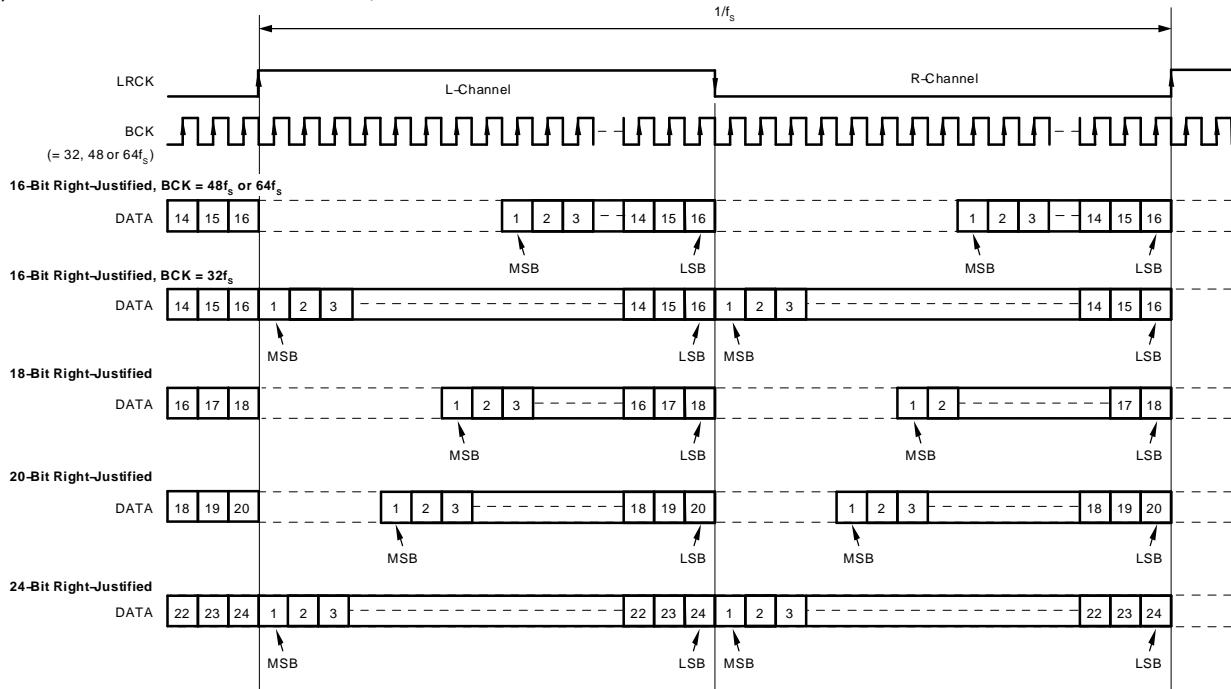
The audio serial interface for the PCM1742 comprises a 3-wire synchronous serial port. It includes LRCK (pin 3), BCK (pin 1), and DATA (pin 2). BCK is the serial audio bit clock, which is used to clock the serial data present on DATA into the audio interface serial shift register. Serial data is clocked into the PCM1742 on the rising edge of BCK. LRCK is the serial audio left/right word clock used to latch serial data into the serial audio interface internal registers.

Both LRCK and BCK must be synchronous to the system clock. Ideally, it is recommended that LRCK and BCK be derived from the system clock input, SCK. LRCK is operated at the sampling frequency,  $f_S$ . BCK can be operated at 32 (16-bit, right-justified only), 48, or 64 times the sampling frequency. Internal operation of the PCM1742 is synchronized with LRCK. Accordingly, internal operation of the device is suspended when the sampling rate clock of LRCK is changed or SCK and/or BCK is interrupted at least for three bit-clock cycles. If SCK, BCK, and LRCK are provided continuously after this suspended state, the internal operation is resynchronized automatically within a period of less than  $3/f_S$ . During this resynchronization period and for a  $3/f_S$  time thereafter, the analog output is forced to the bipolar zero level, or  $V_{CC}/2$ . External resetting is not required.

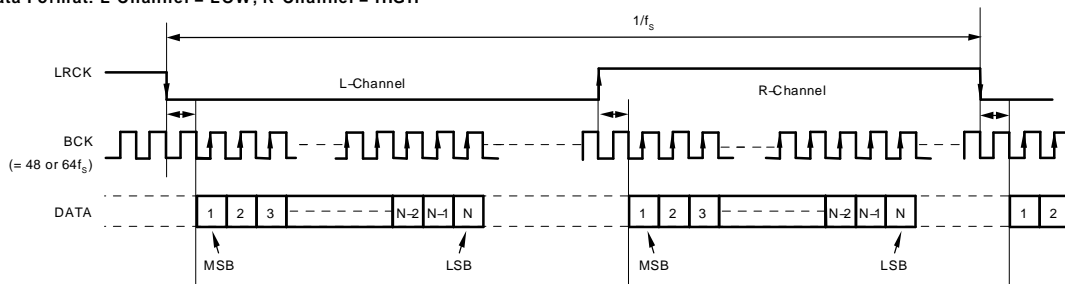
## AUDIO DATA FORMATS AND TIMING

The PCM1742 supports industry-standard audio data formats, including standard,  $I^2S$ , and left-justified, as shown in Figure 21. Data formats are selected using the format bits, FMT[2:0], in control register 20. The default data format is 24-bit, left-justified. All formats require binary 2s complement, MSB-first audio data. See Figure 22 for a detailed timing diagram of the serial audio interface.

(1) Standard Data Format: L-Channel = HIGH, R-Channel = LOW



(2)  $I^2S$  Data Format: L-Channel = LOW, R-Channel = HIGH



(3) Left-Justified Data Format: L-Channel = HIGH, R-Channel = LOW

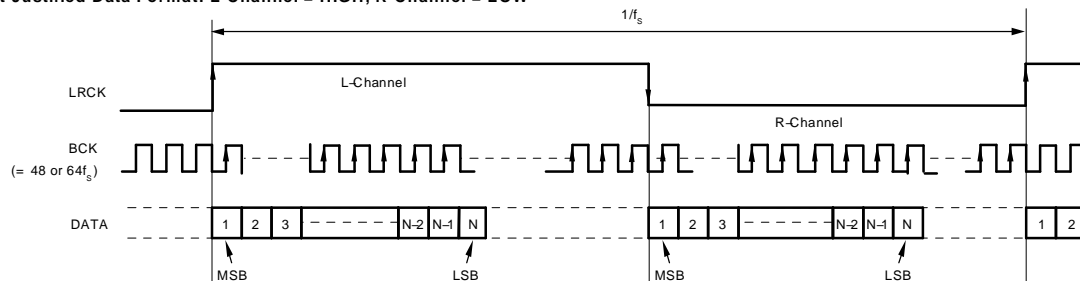
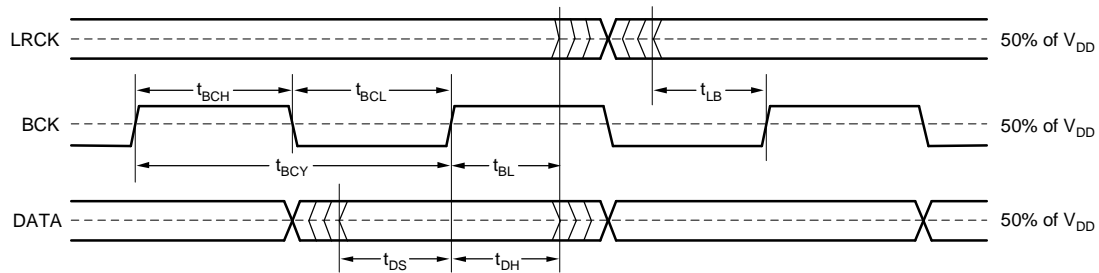


Figure 21. Audio Data Input Formats



SYMBOL	DESCRIPTION	MIN	MAX	UNIT
t <sub>BCY</sub>	BCK pulse cycle time	1/(64 f <sub>S</sub> ) <sup>(1)</sup>		
t <sub>BCH</sub>	BCK high-level time	35		ns
t <sub>BCL</sub>	BCK low-level time	35		ns
t <sub>BL</sub>	BCK rising edge to LRCK edge	10		ns
t <sub>LB</sub>	LRCK falling edge to BCK rising edge	10		ns
t <sub>DS</sub>	DATA setup time	10		ns
t <sub>DH</sub>	DATA hold time	10		ns

(1) f<sub>S</sub> is the sampling frequency (e.g., 44.1 kHz, 48 kHz, 96 kHz, etc.).

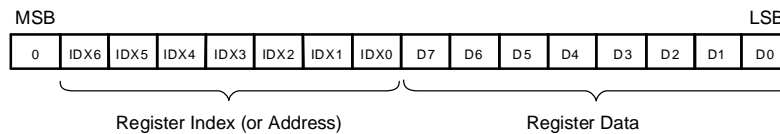
**Figure 22. Audio Interface Timing**

## SERIAL CONTROL INTERFACE

The serial control interface is a 3-wire serial port that operates asynchronously to the serial audio interface. The serial control interface is used to program the on-chip mode registers. The serial control interface includes MD (pin 13), MC (pin 14), and ML (pin 15). MD is the serial data input, used to program the mode registers; MC is the serial bit clock, used to shift data into the control port; and ML is the control-port latch clock.

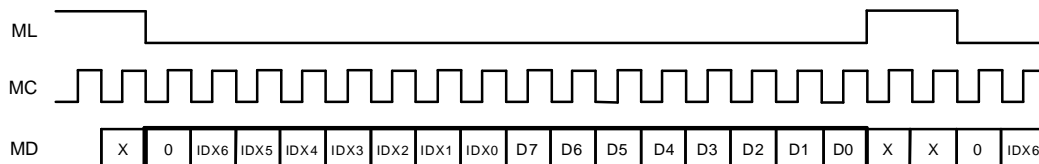
## REGISTER WRITE OPERATION

All write operations for the serial control port use 16-bit data words. [Figure 23](#) shows the control data word format. The most significant bit must be a 0. Seven bits, labeled ID<sub>X</sub>[6:0], set the register index (or address) for the write operation. The least significant eight bits, D[7:0], contain the data to be written to the register specified by ID<sub>X</sub>[6:0].



**Figure 23. Control Data Word Format for MD**

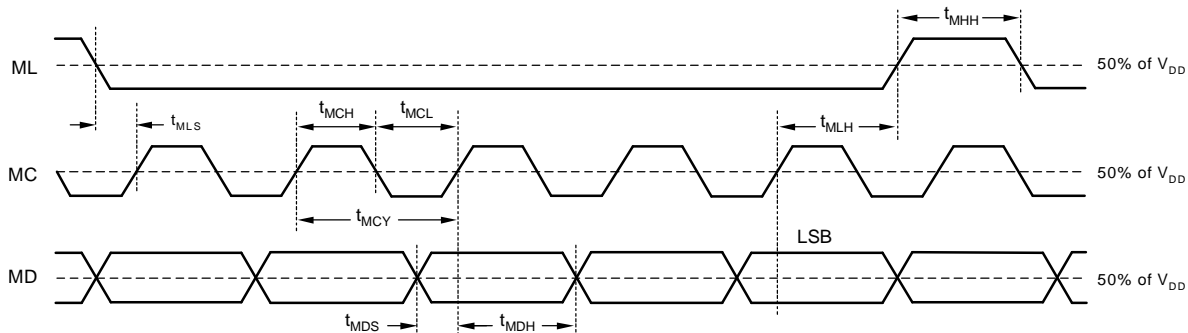
[Figure 24](#) shows the functional timing diagram for writing to the serial control port. ML is held at a logic-1 state until a register needs to be written. To start the register write cycle, ML is set to logic-0. Sixteen clocks are then provided on MC, corresponding to the 16 bits of the control data word on MD. After the sixteenth clock cycle has completed, ML is set to logic-1 to latch the data into the indexed mode control register.



**Figure 24. Register Write Operation**

## CONTROL INTERFACE TIMING REQUIREMENTS

See [Figure 25](#) for a detailed timing diagram of the serial control interface. These timing parameters are critical for proper control port operation.



SYMBOL	PARAMETER	MIN	TYP	MAX	UNIT
$t_{MCY}$	MC pulse cycle time	100			ns
$t_{MCL}$	MC low-level time	50			ns
$t_{MCH}$	MC high-level time	50			ns
$t_{MHH}$	ML high-level time	$3/(256 \times f_S)^{(2)}$			ns
$t_{MLS}$	ML falling edge to MC rising edge	20			ns
$t_{MLH}$	ML hold time <sup>(1)</sup>	20			ns
$t_{MDH}$	MD hold time	15			ns
$t_{MDS}$	MD setup time	20			ns

(1) MC rising edge for LSB to ML rising edge

(2)  $f_S$  = sampling rate

**Figure 25. Control Interface Timing**

## MODE CONTROL REGISTERS

### User-Programmable Mode Controls

The PCM1742 includes a number of user-programmable functions that are accessed via control registers. The registers are programmed using the serial control interface that is discussed in a preceding section of this data sheet. [Table 2](#) lists the available mode control functions, along with their reset default conditions and associated register index.

**Table 2. User-Programmable Mode Controls**

FUNCTION	RESET DEFAULT	CONTROL REGISTER	INDEX IDX[6:0]
Digital attenuation control, 0 dB to –63 dB in 0.5-dB steps	0 dB, no attenuation	16 and 17	AT1[7:0], AT2[7:0]
Soft mute control	Mute disabled	18	MUT[2:0]
Oversampling rate control (64 $f_S$ or 128 $f_S$ )	64- $f_S$ oversampling	18	OVER
DAC operation control	DAC1 and DAC2 enabled	19	DAC[2:1]
De-emphasis function control	De-emphasis disabled	19	DM12
De-emphasis sample rate selection	44.1 kHz	19	DMF[1:0]
Audio data format control	24-bit, left-justified	20	FMT[2:0]
Digital filter rolloff control	Sharp rolloff	20	FLT
Zero-flag function select	L-/R-channels independent	22	AZRO
Output phase select	Normal phase	22	DREV
Zero-flag polarity select	High	22	ZREV

## Register Map

The mode control register map is shown in Table 3. Each register includes an index (or address) indicated by the IDX[6:0] bits.

**Table 3. Mode Control Register Map**

IDX (B14–B8)	REGISTER	B15	B14	B13	B12	B11	B10	B9	B8	B7	B6	B5	B4	B3	B2	B1	B0
10h	16	0	IDX6	IDX5	IDX4	IDX3	IDX2	IDX1	IDX0	AT17	AT16	AT15	AT14	AT13	AT12	AT11	AT10
11h	17	0	IDX6	IDX5	IDX4	IDX3	IDX2	IDX1	IDX0	AT27	AT26	AT25	AT24	AT23	AT22	AT21	AT20
12h	18	0	IDX6	IDX5	IDX4	IDX3	IDX2	IDX1	IDX0	RSV <sup>(1)</sup>	OVER	RSV <sup>(1)</sup>	RSV <sup>(1)</sup>	RSV <sup>(1)</sup>	RSV <sup>(1)</sup>	MUT2	MUT1
13h	19	0	IDX6	IDX5	IDX4	IDX3	IDX2	IDX1	IDX0	RSV <sup>(1)</sup>	DMF1	DMF0	DM12	RSV <sup>(1)</sup>	RSV <sup>(1)</sup>	DAC2	DAC1
14h	20	0	IDX6	IDX5	IDX4	IDX3	IDX2	IDX1	IDX0	RSV <sup>(1)</sup>	RSV <sup>(1)</sup>	FLT	RSV <sup>(1)</sup>	RSV <sup>(1)</sup>	FMT2	FMT1	FMT0
15h	21	0	IDX6	IDX5	IDX4	IDX3	IDX2	IDX1	IDX0	RSV <sup>(1)</sup>	RSV <sup>(1)</sup>	RSV <sup>(1)</sup>	RSV <sup>(1)</sup>	RSV <sup>(1)</sup>	RSV <sup>(1)</sup>	RSV <sup>(1)</sup>	RSV <sup>(1)</sup>
16h	22	0	IDX6	IDX5	IDX4	IDX3	IDX2	IDX1	IDX0	RSV <sup>(1)</sup>	RSV <sup>(1)</sup>	RSV <sup>(1)</sup>	RSV <sup>(1)</sup>	RSV <sup>(1)</sup>	AZRO	ZREV	DREV

(1) RSV: Reserved for test operation. It should be set to 0 during normal operation.

## REGISTER DEFINITIONS

	B15	B14	B13	B12	B11	B10	B9	B8	B7	B6	B5	B4	B3	B2	B1	B0
REGISTER 16	0	IDX6	IDX5	IDX4	IDX3	IDX2	IDX1	IDX0	AT17	AT16	AT15	AT14	AT13	AT12	AT11	AT10
REGISTER 17	0	IDX6	IDX5	IDX4	IDX3	IDX2	IDX1	IDX0	AT27	AT26	AT25	AT24	AT23	AT22	AT21	AT20

## ATx[7:0] – Digital Attenuation Level Setting

where x = 1 or 2, corresponding to the DAC output V<sub>OUTL</sub> (x = 1) and V<sub>OUTR</sub> (x = 2).

Default value: 1111 1111b

Each DAC channel (V<sub>OUTL</sub> and V<sub>OUTR</sub>) includes a digital attenuator function. The attenuation level can be set from 0 dB to –63 dB, in 0.5-dB steps. Changes in attenuation levels are made by incrementing or decrementing, by one step (0.5 dB), for every 8/f<sub>s</sub> time interval until the programmed attenuator setting is reached. Alternatively, the attenuation level can be set to infinite attenuation, or mute. The attenuation data for each channel can be set individually.

The attenuation level is calculated using the following formula:

$$\text{Attenuation level (dB)} = 0.5 (\text{ATx}[7:0]_{\text{DEC}} - 255)$$

where: ATx[7:0]<sub>DEC</sub> = 0 through 255

for: ATx[7:0]<sub>DEC</sub> = 0 through 128, the attenuator is set to infinite attenuation.

The following table shows attenuator levels for various settings.

ATx[7:0]	DECIMAL VALUE	ATTENUATOR LEVEL SETTING
1111 1111b	255	0 dB, no attenuation (default)
1111 1110b	254	–0.5 dB
1111 1101b	253	–1 dB
:	:	:
1000 0011b	131	–62 dB
1000 0010b	130	–62.5 dB
1000 0001b	129	–63 dB
1000 0000b	128	Mute
:	:	:
0000 0000b	0	Mute

	B15	B14	B13	B12	B11	B10	B9	B8	B7	B6	B5	B4	B3	B2	B1	B0
REGISTER 18	0	IDX6	IDX5	IDX4	IDX3	IDX2	IDX1	IDX0	RSV	OVER	RSV	RSV	RSV	RSV	MUT2	MUT1

**MUTx – Soft Mute Control**

where x = 1 or 2, corresponding to the DAC output V<sub>OUTL</sub> (x = 1) and V<sub>OUTR</sub> (x = 2).

Default value: 0

MUTx = 0	Mute disabled (default)
MUTx = 1	Mute enabled

The mute bits, MUT1 and MUT2, are used to enable or disable the soft mute function for the corresponding DAC outputs, V<sub>OUTL</sub> and V<sub>OUTR</sub>. The soft mute function is incorporated into the digital attenuators. When mute is disabled (MUTx = 0), the attenuator and DAC operate normally. When mute is enabled by setting MUTx = 1, the digital attenuator for the corresponding output is decreased from the current setting to the infinite attenuation setting by one attenuator step (0.5 dB) at a time for every 8/f<sub>S</sub> period. This provides a pop-free muting of the DAC output.

By setting MUTx = 0, the attenuator is increased by one step for every 8/f<sub>S</sub> period to the previously programmed attenuation level.

**OVER – Oversampling Rate Control**

Default value: 0

System clock rate = 256 f<sub>S</sub>, 384 f<sub>S</sub>, 512 f<sub>S</sub>, or 768 f<sub>S</sub>

OVER = 0	64x oversampling (default)
OVER = 1	128x oversampling

System clock rate = 128 f<sub>S</sub> or 192 f<sub>S</sub>

OVER = 0	32x oversampling (default)
OVER = 1	64x oversampling

The OVER bit is used to control the oversampling rate of the delta-sigma DACs. The OVER = 1 setting is recommended when the oversampling rate is 192 kHz (system clock is 128 f<sub>S</sub> or 192 f<sub>S</sub>).

	B15	B14	B13	B12	B11	B10	B9	B8	B7	B6	B5	B4	B3	B2	B1	B0
REGISTER 19	0	IDX6	IDX5	IDX4	IDX3	IDX2	IDX1	IDX0	RSV	DMF1	DMF0	DM12	RSV	RSV	DAC2	DAC1

### DACx – DAC Operation Control

where  $x = 1$  or  $2$ , corresponding to the DAC output  $V_{OUTL}$  ( $x = 1$ ) or  $V_{OUTR}$  ( $x = 2$ ).

Default value: 0

DACx = 0	DAC operation enabled (default)
DACx = 1	DAC operation disabled

The DAC operation controls are used to enable and disable the DAC outputs,  $V_{OUTL}$  and  $V_{OUTR}$ . When  $DACx = 0$ , the corresponding output generates the audio waveform dictated by the data present on the DATA pin. When  $DACx = 1$ , the corresponding output is set to the bipolar zero level, or  $V_{CC}/2$ .

### DM12 – Digital De-Emphasis Function Control

Default value: 0

DM12 = 0	De-emphasis disabled (default)
DM12 = 1	De-emphasis enabled

The DM12 bit is used to enable or disable the digital de-emphasis function. Refer to the *Typical Performance Curves* section of this data sheet for more information.

### DMF[1:0] – Sampling Frequency Selection for the De-Emphasis Function

Default value: 00

DMF[1:0]	De-Emphasis Sample Rate Selection
00	44.1 kHz (default)
01	48 kHz
10	32 kHz
11	Reserved

The DMF[1:0] bits select the sampling frequency used for the digital de-emphasis function when it is enabled.

	B15	B14	B13	B12	B11	B10	B9	B8	B7	B6	B5	B4	B3	B2	B1	B0
REGISTER 20	0	IDX6	IDX5	IDX4	IDX3	IDX2	IDX1	IDX0	RSV	RSV	FLT	RSV	RSV	FMT2	FMT1	FMT0

**FMT[2:0] – Audio Interface Data Format**

Default value: 101

The FMT[2:0] bits are used to select the data format for the serial audio interface. The following table shows the available format options.

FMT[2:0]	Audio Data Format Selection
000	24-bit standard format, right-justified data
001	20-bit standard format, right-justified data
010	18-bit standard format, right-justified data
011	16-bit standard format, right-justified data
100	I <sup>2</sup> S format, 16- to 24-bit
101	Left-justified format, 16- to 24-bit (default)
110	Reserved
111	Reserved

**FLT – Digital Filter Rolloff Control**

Default value: 0

FLT = 0	Sharp rolloff (default)
FLT = 1	Slow rolloff

The FLT bit allows the user to select the digital filter rolloff that is best suited to their application. Two filter rolloff selections are available: sharp or slow. The filter responses for these selections are shown in the *Typical Performance Curves* section of this data sheet.

	B15	B14	B13	B12	B11	B10	B9	B8	B7	B6	B5	B4	B3	B2	B1	B0
REGISTER 22	0	IDX6	IDX5	IDX4	IDX3	IDX2	IDX1	IDX0	RSV	RSV	RSV	RSV	RSV	AZRO	ZREV	DREV

### DREV – Output Phase Select

Default value: 0

DREV = 0	Normal output (default)
DREV = 1	Inverted output

The DREV bit is used to set the output phase of  $V_{OUTL}$  and  $V_{OUTR}$ .

### ZREV – Zero-Flag Polarity Select

Default value: 0

ZREV = 0	Zero-flag pins HIGH at a zero detect (default)
ZREV = 1	Zero-flag pins LOW at a zero detect

The ZREV bit allows the user to select the active polarity of zero-flag pins.

### AZRO – Zero-Flag Function Select

Default value: 0

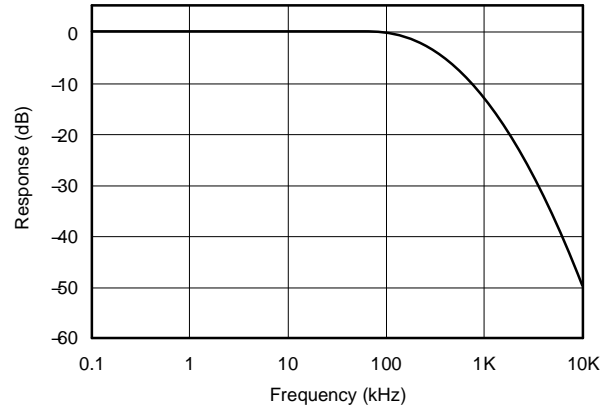
AZRO = 0	L-/R-channel independent zero flags (default)	Pin 11: ZEROR; zero-flag output for R-channel Pin 12: ZEROL; zero flag output for L-channel
AZRO = 1	L-/R-channel common zero flag	Pin 11: ZEROA; zero flag output for L-/R-channel Pin 12: NA; not assigned

The AZRO bit allows the user to select the function of the zero-flag pins

## ANALOG OUTPUTS

The PCM1742 includes two independent output channels:  $V_{OUTL}$  and  $V_{OUTR}$ . These are unbalanced outputs, each capable of driving 3.1 V<sub>p-p</sub> typical into a 5-k $\Omega$  ac-coupled load. The internal output amplifiers for  $V_{OUTL}$  and  $V_{OUTR}$  are biased to the dc common-mode (or bipolar zero) voltage, equal to  $V_{CC}/2$ .

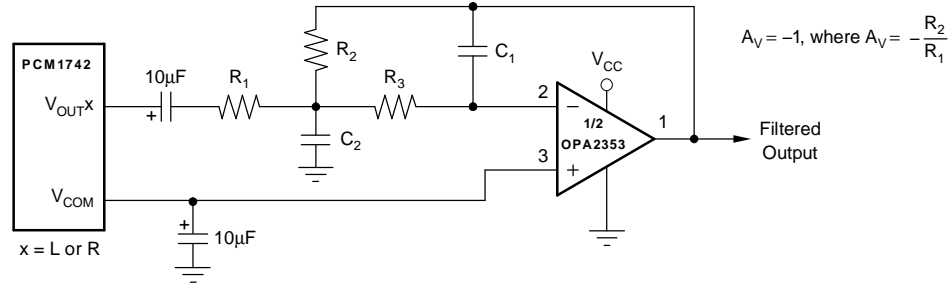
The output amplifiers include an RC continuous-time filter that helps to reduce the out-of-band noise energy present at the DAC outputs, due to the noise shaping characteristics of the PCM1742 delta-sigma DACs. The frequency response of this filter is shown in [Figure 26](#). By itself, this filter is not enough to attenuate the out-of-band noise to an acceptable level for many applications; therefore, an external low-pass filter is required to provide sufficient out-of-band noise rejection. Further discussion of DAC post-filter circuits is provided in the *Applications Information* section of this data sheet.



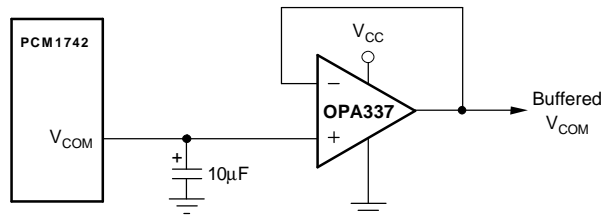
**Figure 26. Output Filter Frequency Response**

## V<sub>COM</sub> OUTPUT

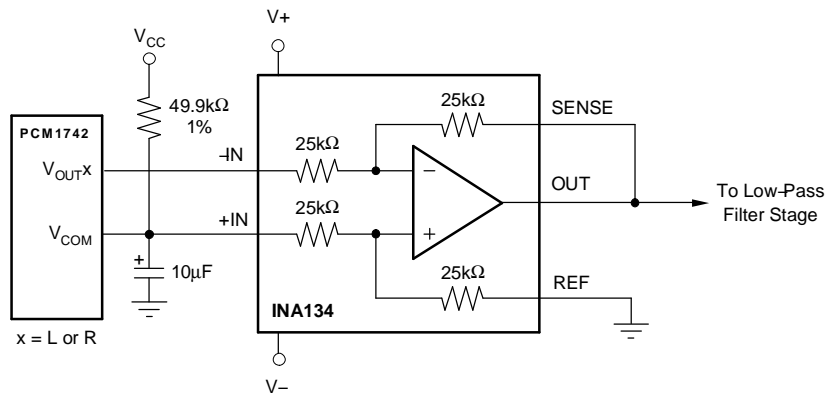
One unbuffered common-mode voltage output pin, V<sub>COM</sub> (pin 10), is brought out for decoupling purposes. This pin is nominally biased to a dc voltage level equal to V<sub>CC</sub>/2. This pin can be used to bias external circuits. An example of using the V<sub>COM</sub> pin for external biasing applications is shown in Figure 27.



(a) Using V<sub>COM</sub> to Bias a Single-Supply Filter Stage



(b) Using a Voltage Follower to Buffer V<sub>COM</sub> When Biasing Multiple Nodes



(c) Using an INA134 for DC-Coupled Output

**Figure 27. Biasing External Circuits Using the V<sub>COM</sub> Pin**

## ZERO FLAGS

### Zero-Detect Condition

Zero detection for each output channel is independent from the other. If the data for a given channel remains at a 0 level for 1024 sample periods (or LRCK clock periods), a zero-detect condition exists for that channel.

### Zero Output Flags

Given that a zero-detect condition exists for one or more channels, the zero-flag pins for those channels are set to a logic-1 state. The zero-flag pins for each channel are ZEROL (pin 12) and ZEROR (pin 11). These pins can be used to operate external mute circuits, or used as status indicators for a microcontroller, audio signal processor, or other digitally controlled function.

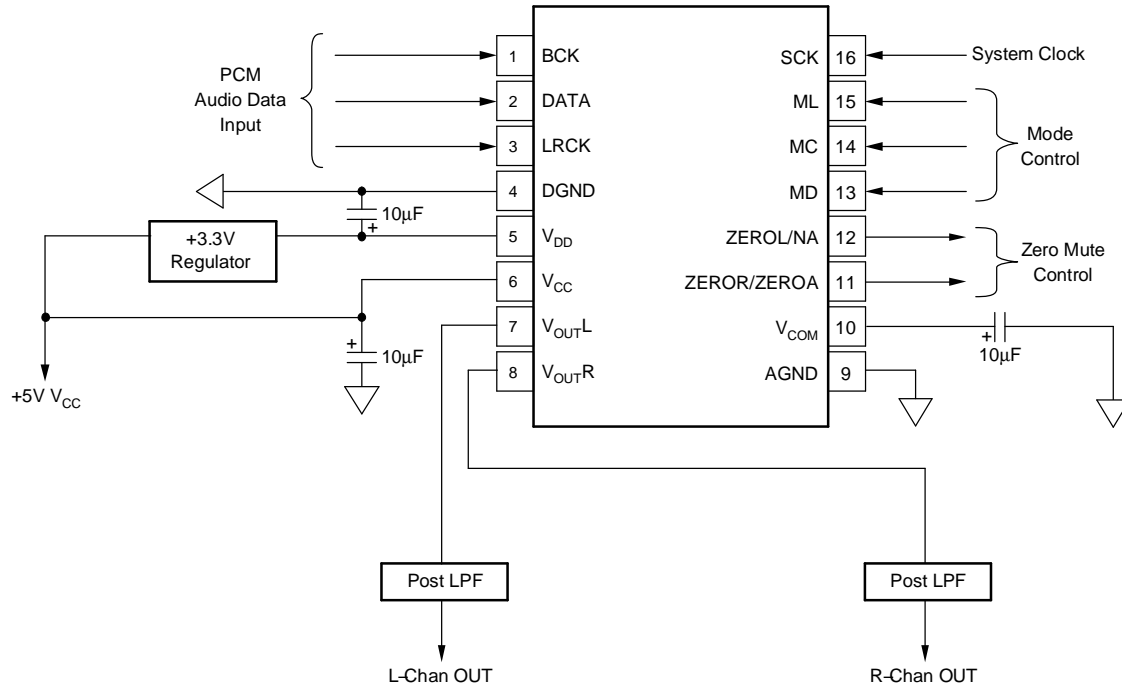
The active polarity of the zero-flag output can be inverted by setting the ZREV bit of control register 22 to 1. The reset default is active-high output, or ZREV = 0.

The L-channel and R-channel common zero flag can be selected by setting the AZRO bit of control register 22 to 1. The reset default is L-channel and R-channel independent zero flag, or AZRO = 0.

## APPLICATION INFORMATION

### Connection Diagram

A basic connection diagram is shown in [Figure 28](#), with the necessary power-supply bypassing and decoupling components. Texas Instruments recommends using the component values shown in [Figure 28](#) for all designs.



**Figure 28. Basic Connection Diagram**

The use of series resistors (22  $\Omega$  to 100  $\Omega$ ) is recommended for the SCK, LRCK, BCK, and DATA inputs. The series resistor combines with stray PCB and device input capacitance to form a low-pass filter that reduces high-frequency noise emissions and helps to dampen glitches and ringing present on clock and data lines.

### Power Supplies and Grounding

The PCM1742 requires a 5-V analog supply ( $V_{CC}$ ) and a 3.3-V digital supply ( $V_{DD}$ ). The 5-V supply is used to power the DAC analog and output-filter circuitry, while the 3.3-V supply is used to power the digital filter and serial interface circuitry. For best performance, the 3.3-V supply should be derived from the 5-V supply using a linear regulator, as shown in [Figure 28](#). The REG1117-3.3 from Texas Instruments is an ideal choice for this application.

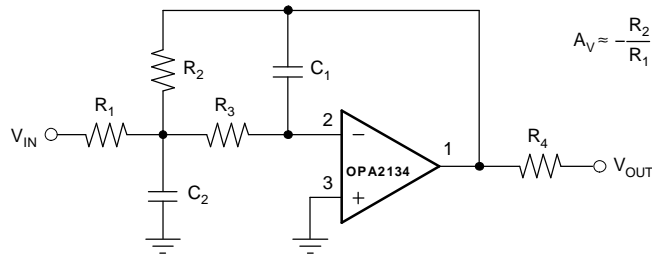
Proper power-supply bypassing is shown in [Figure 28](#). The 10- $\mu$ F capacitors should be tantalum or aluminum electrolytic.

### DAC Output Filter Circuits

Delta-sigma DACs use noise-shaping techniques to improve in-band signal-to-noise ratio (SNR) performance at the expense of generating increased out-of-band noise above the Nyquist frequency, or  $f_s/2$ . The out-of-band noise must be low-pass filtered in order to provide the optimal converter performance. This is accomplished by a combination of on-chip and external low-pass filtering.

[Figure 27\(a\)](#) and [Figure 29](#) show the recommended external low-pass active filter circuits for single- and dual-supply applications. These circuits are second-order Butterworth filters using a multiple feedback (MFB) circuit arrangement that reduces sensitivity to passive component variations over frequency and temperature. For more information regarding MFB active filter design, see *FilterPro™ MFB and Sallen-Key Low-Pass Filter Design Program (SBFA001)*, available from the TI Web site at <http://www.ti.com>.

**APPLICATION INFORMATION (continued)**



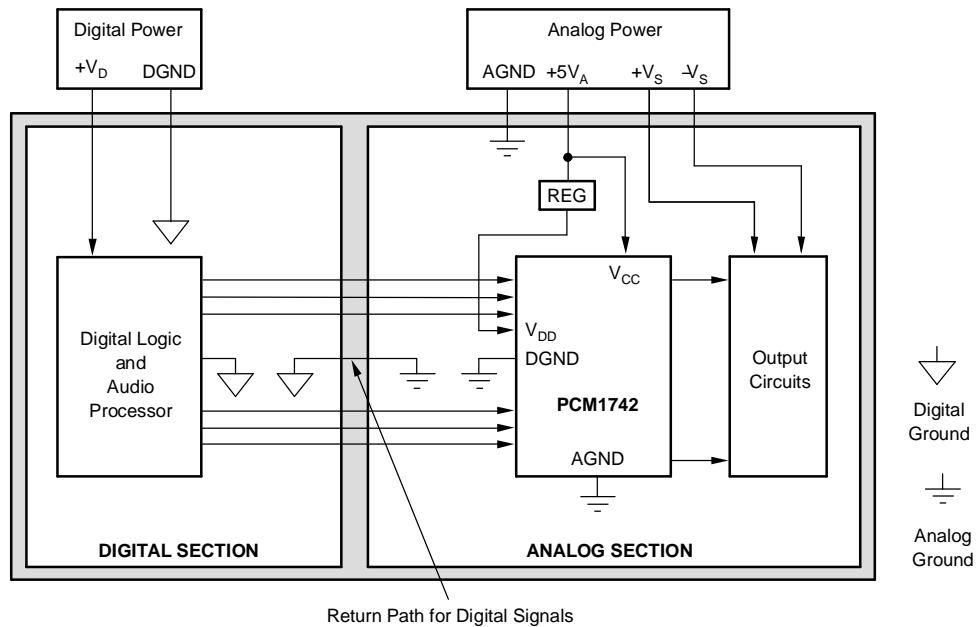
**Figure 29. Dual-Supply Filter Circuit**

Because the overall system performance is defined by the quality of the DACs and their associated analog output circuitry, high-quality audio operational amplifiers are recommended for the active filters. The OPA2353 and OPA2134 dual operational amplifiers from Texas Instruments are recommended for use with the PCM1742; see [Figure 27\(a\)](#) and [Figure 29](#).

**PCB LAYOUT GUIDELINES**

A typical PCB floor plan for the PCM1742 is shown in [Figure 30](#). A ground plane is recommended, with the analog and digital sections being isolated from one another using a split or cut in the circuit board. The PCM1742 should be oriented with the digital I/O pins facing the ground plane split/cut to allow for short, direct connections to the digital audio interface and control signals originating from the digital section of the board.

Separate power supplies are recommended for the digital and analog sections of the board. This prevents the switching noise present on the digital supply from contaminating the analog power supply and degrading the dynamic performance of the PCM1742. In cases where a common 5-V supply must be used for the analog and digital sections, an inductance (RF choke, ferrite bead) should be placed between the analog and digital 5-V supply connections to avoid coupling of the digital switching noise into the analog circuitry. [Figure 31](#) shows the recommended approach for single-supply applications.



**Figure 30. Recommended PCB Layout**

APPLICATION INFORMATION (continued)

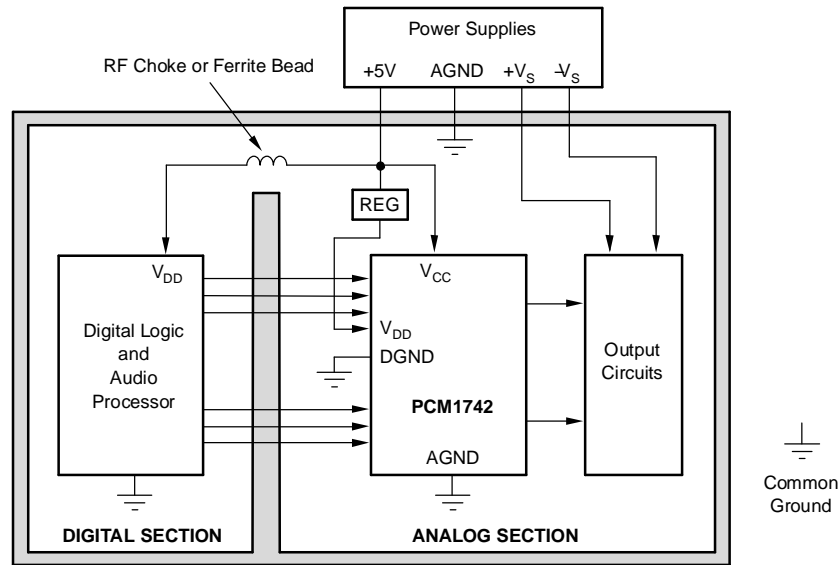


Figure 31. Single-Supply PCB Layout

THEORY OF OPERATION

The delta-sigma section of the PCM1742 is based on an 8-level amplitude quantizer and a fourth-order noise shaper. This section converts the oversampled input data to 8-level delta-sigma format. A block diagram of the 8-level delta-sigma modulator is shown in Figure 32. This 8-level delta-sigma modulator has the advantage of stability and clock jitter sensitivity over the typical one-bit (2-level) delta-sigma modulator. The combined oversampling rate of the delta-sigma modulator and the interpolation filter is  $64 f_s$ .

The theoretical quantization noise performance of the 8-level delta-sigma modulator is shown in Figure 33. The enhanced multilevel delta-sigma architecture also has advantages for input clock-jitter sensitivity due to the multilevel quantizer, with the simulated jitter sensitivity, as shown in Figure 34.

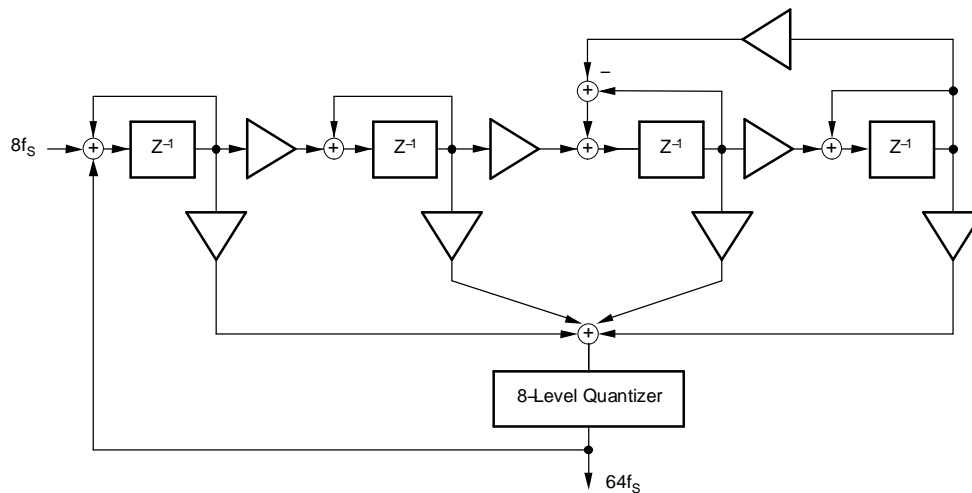
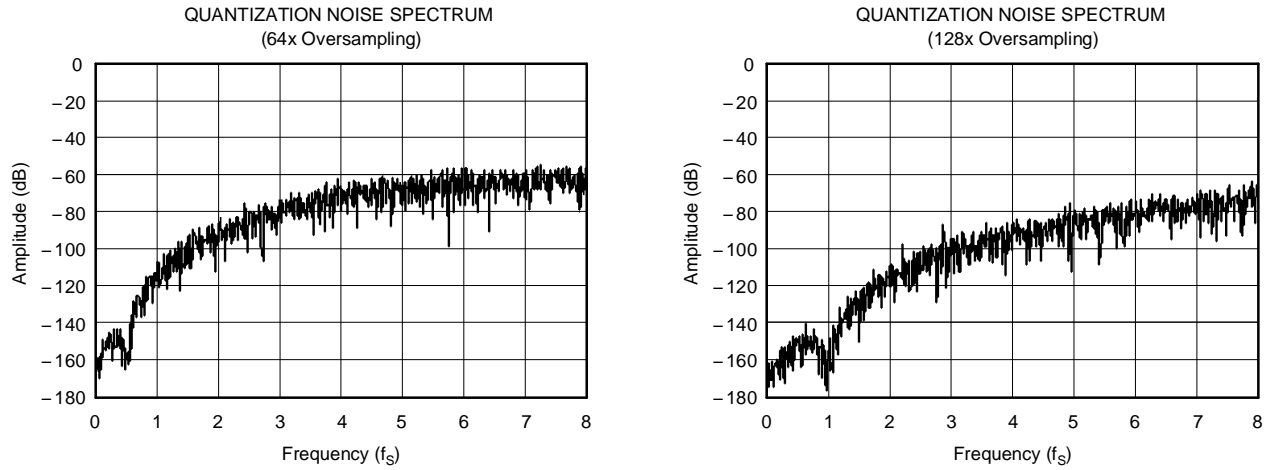
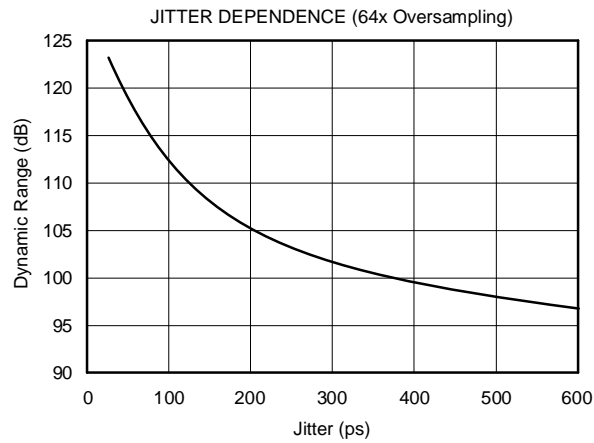


Figure 32. 8-Level Delta-Sigma Modulator

**THEORY OF OPERATION (continued)**



**Figure 33. Quantization Noise Spectrum**



**Figure 34. Jitter Sensitivity**

## KEY PERFORMANCE PARAMETERS AND MEASUREMENT

This section provides information on how to measure key dynamic performance parameters for the PCM1742. In all cases, a System Two™ Cascade audio measurement system by Audio Precision™ or equivalent audio measurement system is used to perform the testing.

### Total Harmonic Distortion + Noise

Total harmonic distortion + noise (THD+N) is a significant figure of merit for audio DACs, because it takes into account both harmonic distortion and all noise sources within a specified measurement bandwidth. The true rms value of the distortion and noise is referred to as THD+N. Figure 35 shows the test setup for THD+N measurements.

For the PCM1742, THD+N is measured with a full-scale, 1-kHz digital sine wave as the test stimulus at the input of the DAC. The digital generator is set to a 24-bit audio word length and a sampling frequency of 44.1 kHz or 96 kHz. The digital generator output is taken from the unbalanced S/PDIF connector of the measurement system. The S/PDIF data is transmitted via a coaxial cable to the digital audio receiver on the DEM-DAI1742 demonstration board. The receiver is then configured to output 24-bit data in either I<sup>2</sup>S or left-justified data format. The DAC audio interface format is programmed to match the receiver output format. The analog output is then taken from the DAC post filter and connected to the analog analyzer input of the measurement system. The analog input is band-limited using filters resident in the analyzer. The resulting THD+N is measured by the analyzer and displayed by the measurement system.

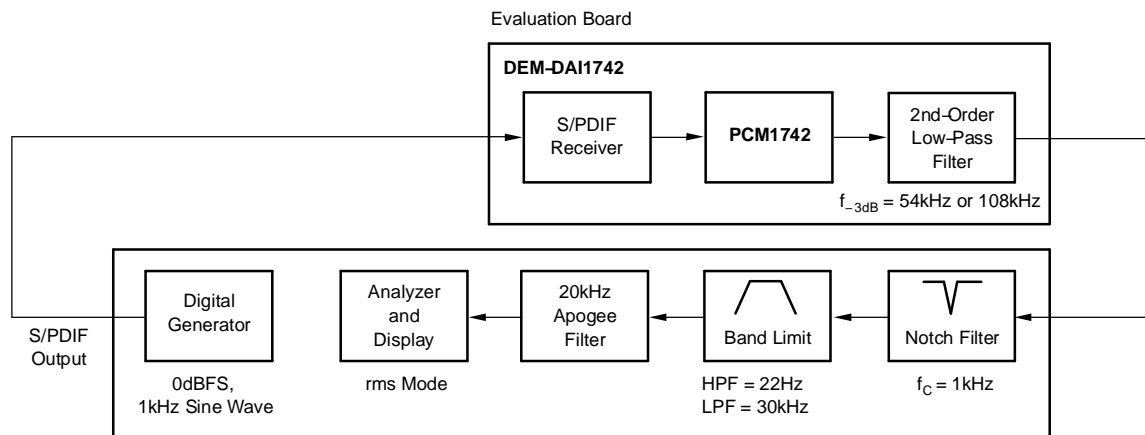


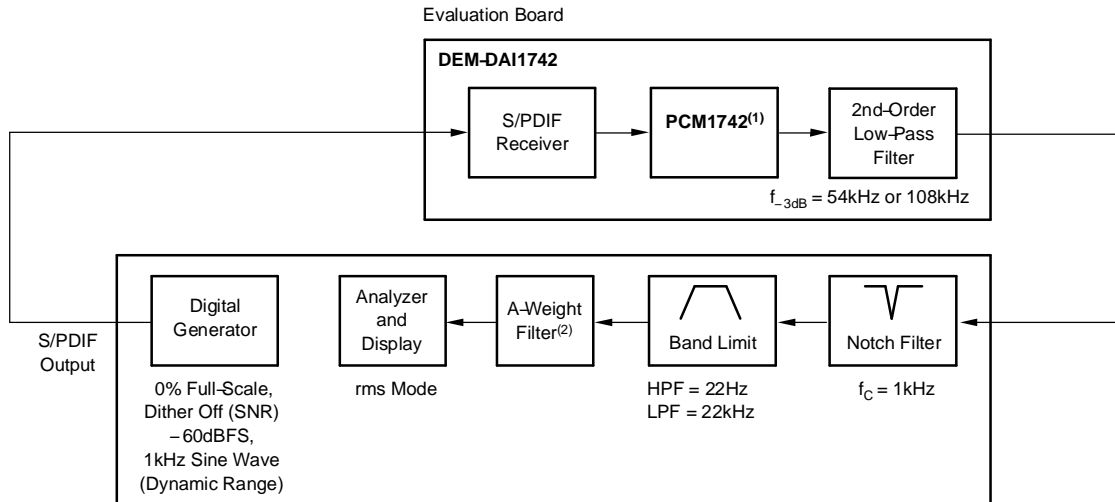
Figure 35. Test Setup for THD+N Measurements

### Dynamic Range

Dynamic range is specified as A-weighted, THD+N measured with a –60-dBFS, 1-kHz digital sine wave stimulus at the input of the DAC. This measurement is designed to give a good indicator of the DAC performance given a low-level input signal.

The measurement setup for the dynamic range measurement is shown in Figure 36 and is similar to the THD+N test setup discussed previously. The differences include the band limit filter selection, the additional A-weighting filter, and the –60-dBFS input level.

**KEY PERFORMANCE PARAMETERS AND MEASUREMENT (continued)**



- (1) Infinite-zero-detect mute disabled
- (2) Results without A-weighting are approximately 3 dB worse.

**Figure 36. Test Setup Dynamic Range and SNR Measurements**

**Idle-Channel Signal-to-Noise Ratio**

The SNR test provides a measure of the noise floor of the DAC. The input to the DAC is all-0s data, and the DAC infinite-zero-detect mute function must be disabled (default condition at power up for the PCM1742). This ensures that the delta-sigma modulator output is connected to the output amplifier circuit so that idle tones (if present) can be observed and affect the SNR measurement. The dither function of the digital generator must also be disabled to ensure an all-0s data stream at the input of the DAC. The measurement setup for SNR is identical to that used for dynamic range, with the exception of the input signal level (see the notes provided in [Figure 36](#)).

## REVISION HISTORY

DATE	REV	PAGE	SECTION	DESCRIPTION
Apr 2005	A	–	Global	Changed to new format
		2	Absolute Maximum Ratings	Changed values for power supply voltage, digital input voltage, lead temperature, and package temperature. Added supply voltage difference, $V_{CC} - V_{DD} < 3\text{ V}$ .
		2	Electrical Characteristics	Corrected maximum sampling frequency from 100 kHz to 200 kHz. Added new values of $128 f_S$ and $192 f_S$ for system clock frequency.
		2	Package/Ordering Information	Table removed from page 2, reformatted, and appended at end of data sheet.
		2	Recommended Operating Conditions	New table added to data sheet.
		6	Pin Assignments and Terminal Functions	Moved from page 4
		9, 10	Typical Performance Curves	In <a href="#">Figure 11</a> , corrected Y-axis scale and X-axis scale.
				In <a href="#">Figure 15</a> , corrected frequency from 96 kHz to 192 kHz on graph label.
		11	System Clock Input	In <a href="#">Figure 19</a> , added $1/128 f_S$ and $1/192 f_S$ to note for clock cycle time.
		13, 14	Audio Data Formats and Timing	In <a href="#">Figure 21</a> , Audio Data Input Formats, removed $32\text{-}f_S$ availability from left-justified format. In <a href="#">Figure 22</a> , Audio Interface Timing, corrected specification for BCK pulse cycle time.
		17	Register Map	For <a href="#">Table 3</a> , Mode Control Register Map, added note to explain the RSV table entry.
		18	Register Definitions	For MUTx – Soft Mute Control, added description about incrementing/decrementing attenuation level by one step for every $8/f_S$ period.
		25	Connection Diagram	In <a href="#">Figure 28</a> , corrected capacitor polarity for $V_{DD}$ decoupling capacitor.
		26, 27	PCB Layout Guidelines	In <a href="#">Figure 30</a> and <a href="#">Figure 31</a> , deleted extraneous signal lines. In <a href="#">Figure 31</a> , changed leftmost block to Digital Logic and Audio Processor.
30	Dynamic Range	Corrected parameters in test setup diagram, <a href="#">Figure 36</a> .		

**PACKAGING INFORMATION**

Orderable Device	Status (1)	Package Type	Package Drawing	Pins	Package Qty	Eco Plan (2)	Lead/Ball Finish (6)	MSL Peak Temp (3)	Op Temp (°C)	Device Marking (4/5)	Samples
PCM1742E	ACTIVE	SSOP	DBQ	16	75	Green (RoHS & no Sb/Br)	CU NIPDAU	Level-1-260C-UNLIM	-25 to 85	PCM 1742E	<a href="#">Samples</a>
PCM1742E/2K	ACTIVE	SSOP	DBQ	16	2000	Green (RoHS & no Sb/Br)	CU NIPDAU	Level-1-260C-UNLIM	-25 to 85	PCM 1742E	<a href="#">Samples</a>
PCM1742KE	ACTIVE	SSOP	DBQ	16	75	Green (RoHS & no Sb/Br)	CU NIPDAU	Level-1-260C-UNLIM	-25 to 85	PCM 1742KE	<a href="#">Samples</a>
PCM1742KE/2K	ACTIVE	SSOP	DBQ	16	2000	Green (RoHS & no Sb/Br)	CU NIPDAU	Level-1-260C-UNLIM	-25 to 85	PCM 1742KE	<a href="#">Samples</a>
PCM1742KE/2KG4	ACTIVE	SSOP	DBQ	16	2000	Green (RoHS & no Sb/Br)	CU NIPDAU	Level-1-260C-UNLIM	-25 to 85	PCM 1742KE	<a href="#">Samples</a>

(1) The marketing status values are defined as follows:

**ACTIVE:** Product device recommended for new designs.

**LIFEBUY:** TI has announced that the device will be discontinued, and a lifetime-buy period is in effect.

**NRND:** Not recommended for new designs. Device is in production to support existing customers, but TI does not recommend using this part in a new design.

**PREVIEW:** Device has been announced but is not in production. Samples may or may not be available.

**OBSOLETE:** TI has discontinued the production of the device.

(2) **RoHS:** TI defines "RoHS" to mean semiconductor products that are compliant with the current EU RoHS requirements for all 10 RoHS substances, including the requirement that RoHS substance do not exceed 0.1% by weight in homogeneous materials. Where designed to be soldered at high temperatures, "RoHS" products are suitable for use in specified lead-free processes. TI may reference these types of products as "Pb-Free".

**RoHS Exempt:** TI defines "RoHS Exempt" to mean products that contain lead but are compliant with EU RoHS pursuant to a specific EU RoHS exemption.

**Green:** TI defines "Green" to mean the content of Chlorine (Cl) and Bromine (Br) based flame retardants meet JS709B low halogen requirements of <=1000ppm threshold. Antimony trioxide based flame retardants must also meet the <=1000ppm threshold requirement.

(3) MSL, Peak Temp. - The Moisture Sensitivity Level rating according to the JEDEC industry standard classifications, and peak solder temperature.

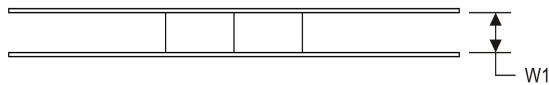
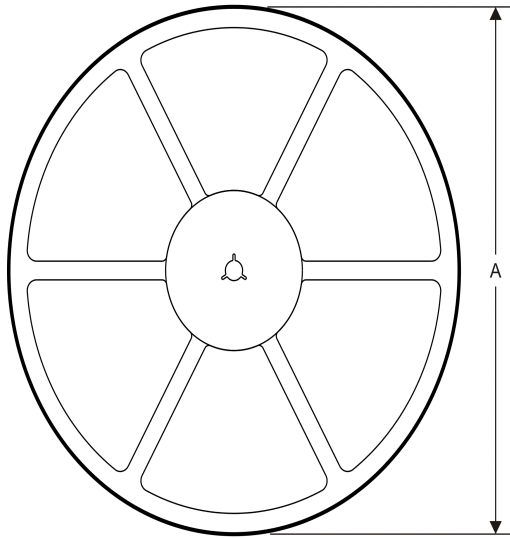
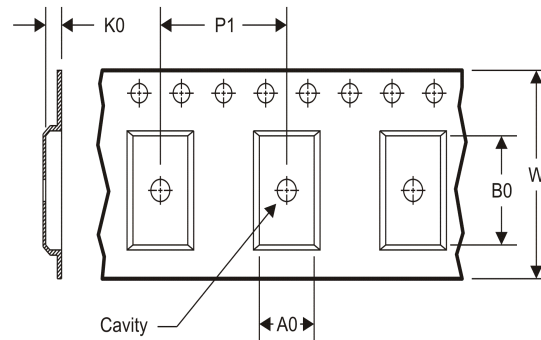
(4) There may be additional marking, which relates to the logo, the lot trace code information, or the environmental category on the device.

(5) Multiple Device Markings will be inside parentheses. Only one Device Marking contained in parentheses and separated by a "-" will appear on a device. If a line is indented then it is a continuation of the previous line and the two combined represent the entire Device Marking for that device.

(6) Lead/Ball Finish - Orderable Devices may have multiple material finish options. Finish options are separated by a vertical ruled line. Lead/Ball Finish values may wrap to two lines if the finish value exceeds the maximum column width.

**Important Information and Disclaimer:** The information provided on this page represents TI's knowledge and belief as of the date that it is provided. TI bases its knowledge and belief on information provided by third parties, and makes no representation or warranty as to the accuracy of such information. Efforts are underway to better integrate information from third parties. TI has taken and continues to take reasonable steps to provide representative and accurate information but may not have conducted destructive testing or chemical analysis on incoming materials and chemicals. TI and TI suppliers consider certain information to be proprietary, and thus CAS numbers and other limited information may not be available for release.

In no event shall TI's liability arising out of such information exceed the total purchase price of the TI part(s) at issue in this document sold by TI to Customer on an annual basis.

**TAPE AND REEL INFORMATION**
**REEL DIMENSIONS**

**TAPE DIMENSIONS**


A0	Dimension designed to accommodate the component width
B0	Dimension designed to accommodate the component length
K0	Dimension designed to accommodate the component thickness
W	Overall width of the carrier tape
P1	Pitch between successive cavity centers

**TAPE AND REEL INFORMATION**

\*All dimensions are nominal

Device	Package Type	Package Drawing	Pins	SPQ	Reel Diameter (mm)	Reel Width W1 (mm)	A0 (mm)	B0 (mm)	K0 (mm)	P1 (mm)	W (mm)	Pin1 Quadrant
PCM1742E/2K	SSOP	DBQ	16	2000	330.0	12.4	6.4	5.2	2.1	8.0	12.0	Q1
PCM1742KE/2K	SSOP	DBQ	16	2000	330.0	12.4	6.4	5.2	2.1	8.0	12.0	Q1

**TAPE AND REEL BOX DIMENSIONS**


\*All dimensions are nominal

Device	Package Type	Package Drawing	Pins	SPQ	Length (mm)	Width (mm)	Height (mm)
PCM1742E/2K	SSOP	DBQ	16	2000	367.0	367.0	35.0
PCM1742KE/2K	SSOP	DBQ	16	2000	367.0	367.0	35.0

**GENERIC PACKAGE VIEW**

**DBQ 16**

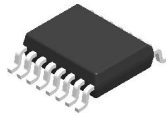
**SSOP - 1.75 mm max height**

SHRINK SMALL-OUTLINE PACKAGE



Images above are just a representation of the package family, actual package may vary.  
Refer to the product data sheet for package details.

4073301-2/1

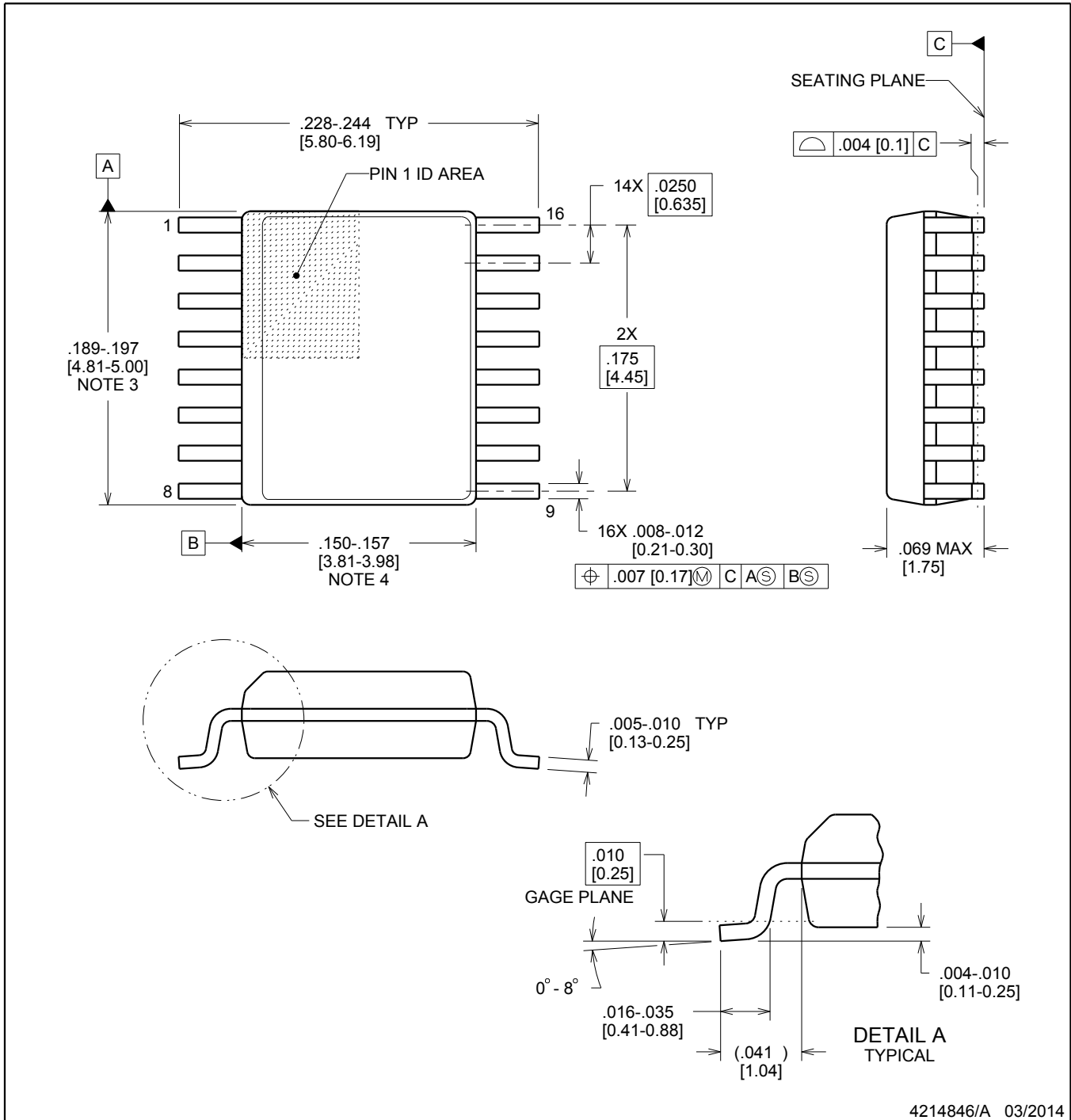


# DBQ0016A

# PACKAGE OUTLINE

## SSOP - 1.75 mm max height

SHRINK SMALL-OUTLINE PACKAGE



4214846/A 03/2014

### NOTES:

1. Linear dimensions are in inches [millimeters]. Dimensions in parenthesis are for reference only. Controlling dimensions are in inches. Dimensioning and tolerancing per ASME Y14.5M.
2. This drawing is subject to change without notice.
3. This dimension does not include mold flash, protrusions, or gate burrs. Mold flash, protrusions, or gate burrs shall not exceed .006 inch, per side.
4. This dimension does not include interlead flash.
5. Reference JEDEC registration MO-137, variation AB.



# EXAMPLE STENCIL DESIGN

DBQ0016A

SSOP - 1.75 mm max height

SHRINK SMALL-OUTLINE PACKAGE



SOLDER PASTE EXAMPLE  
BASED ON .005 INCH [0.127 MM] THICK STENCIL  
SCALE:8X

4214846/A 03/2014

NOTES: (continued)

8. Laser cutting apertures with trapezoidal walls and rounded corners may offer better paste release. IPC-7525 may have alternate design recommendations.
9. Board assembly site may have different recommendations for stencil design.

## IMPORTANT NOTICE

Texas Instruments Incorporated (TI) reserves the right to make corrections, enhancements, improvements and other changes to its semiconductor products and services per JESD46, latest issue, and to discontinue any product or service per JESD48, latest issue. Buyers should obtain the latest relevant information before placing orders and should verify that such information is current and complete.

TI's published terms of sale for semiconductor products (<http://www.ti.com/sc/docs/stdterms.htm>) apply to the sale of packaged integrated circuit products that TI has qualified and released to market. Additional terms may apply to the use or sale of other types of TI products and services.

Reproduction of significant portions of TI information in TI data sheets is permissible only if reproduction is without alteration and is accompanied by all associated warranties, conditions, limitations, and notices. TI is not responsible or liable for such reproduced documentation. Information of third parties may be subject to additional restrictions. Resale of TI products or services with statements different from or beyond the parameters stated by TI for that product or service voids all express and any implied warranties for the associated TI product or service and is an unfair and deceptive business practice. TI is not responsible or liable for any such statements.

Buyers and others who are developing systems that incorporate TI products (collectively, "Designers") understand and agree that Designers remain responsible for using their independent analysis, evaluation and judgment in designing their applications and that Designers have full and exclusive responsibility to assure the safety of Designers' applications and compliance of their applications (and of all TI products used in or for Designers' applications) with all applicable regulations, laws and other applicable requirements. Designer represents that, with respect to their applications, Designer has all the necessary expertise to create and implement safeguards that (1) anticipate dangerous consequences of failures, (2) monitor failures and their consequences, and (3) lessen the likelihood of failures that might cause harm and take appropriate actions. Designer agrees that prior to using or distributing any applications that include TI products, Designer will thoroughly test such applications and the functionality of such TI products as used in such applications.

TI's provision of technical, application or other design advice, quality characterization, reliability data or other services or information, including, but not limited to, reference designs and materials relating to evaluation modules, (collectively, "TI Resources") are intended to assist designers who are developing applications that incorporate TI products; by downloading, accessing or using TI Resources in any way, Designer (individually or, if Designer is acting on behalf of a company, Designer's company) agrees to use any particular TI Resource solely for this purpose and subject to the terms of this Notice.

TI's provision of TI Resources does not expand or otherwise alter TI's applicable published warranties or warranty disclaimers for TI products, and no additional obligations or liabilities arise from TI providing such TI Resources. TI reserves the right to make corrections, enhancements, improvements and other changes to its TI Resources. TI has not conducted any testing other than that specifically described in the published documentation for a particular TI Resource.

Designer is authorized to use, copy and modify any individual TI Resource only in connection with the development of applications that include the TI product(s) identified in such TI Resource. NO OTHER LICENSE, EXPRESS OR IMPLIED, BY ESTOPPEL OR OTHERWISE TO ANY OTHER TI INTELLECTUAL PROPERTY RIGHT, AND NO LICENSE TO ANY TECHNOLOGY OR INTELLECTUAL PROPERTY RIGHT OF TI OR ANY THIRD PARTY IS GRANTED HEREIN, including but not limited to any patent right, copyright, mask work right, or other intellectual property right relating to any combination, machine, or process in which TI products or services are used. Information regarding or referencing third-party products or services does not constitute a license to use such products or services, or a warranty or endorsement thereof. Use of TI Resources may require a license from a third party under the patents or other intellectual property of the third party, or a license from TI under the patents or other intellectual property of TI.

TI RESOURCES ARE PROVIDED "AS IS" AND WITH ALL FAULTS. TI DISCLAIMS ALL OTHER WARRANTIES OR REPRESENTATIONS, EXPRESS OR IMPLIED, REGARDING RESOURCES OR USE THEREOF, INCLUDING BUT NOT LIMITED TO ACCURACY OR COMPLETENESS, TITLE, ANY EPIDEMIC FAILURE WARRANTY AND ANY IMPLIED WARRANTIES OF MERCHANTABILITY, FITNESS FOR A PARTICULAR PURPOSE, AND NON-INFRINGEMENT OF ANY THIRD PARTY INTELLECTUAL PROPERTY RIGHTS. TI SHALL NOT BE LIABLE FOR AND SHALL NOT DEFEND OR INDEMNIFY DESIGNER AGAINST ANY CLAIM, INCLUDING BUT NOT LIMITED TO ANY INFRINGEMENT CLAIM THAT RELATES TO OR IS BASED ON ANY COMBINATION OF PRODUCTS EVEN IF DESCRIBED IN TI RESOURCES OR OTHERWISE. IN NO EVENT SHALL TI BE LIABLE FOR ANY ACTUAL, DIRECT, SPECIAL, COLLATERAL, INDIRECT, PUNITIVE, INCIDENTAL, CONSEQUENTIAL OR EXEMPLARY DAMAGES IN CONNECTION WITH OR ARISING OUT OF TI RESOURCES OR USE THEREOF, AND REGARDLESS OF WHETHER TI HAS BEEN ADVISED OF THE POSSIBILITY OF SUCH DAMAGES.

Unless TI has explicitly designated an individual product as meeting the requirements of a particular industry standard (e.g., ISO/TS 16949 and ISO 26262), TI is not responsible for any failure to meet such industry standard requirements.

Where TI specifically promotes products as facilitating functional safety or as compliant with industry functional safety standards, such products are intended to help enable customers to design and create their own applications that meet applicable functional safety standards and requirements. Using products in an application does not by itself establish any safety features in the application. Designers must ensure compliance with safety-related requirements and standards applicable to their applications. Designer may not use any TI products in life-critical medical equipment unless authorized officers of the parties have executed a special contract specifically governing such use. Life-critical medical equipment is medical equipment where failure of such equipment would cause serious bodily injury or death (e.g., life support, pacemakers, defibrillators, heart pumps, neurostimulators, and implantables). Such equipment includes, without limitation, all medical devices identified by the U.S. Food and Drug Administration as Class III devices and equivalent classifications outside the U.S.

TI may expressly designate certain products as completing a particular qualification (e.g., Q100, Military Grade, or Enhanced Product). Designers agree that it has the necessary expertise to select the product with the appropriate qualification designation for their applications and that proper product selection is at Designers' own risk. Designers are solely responsible for compliance with all legal and regulatory requirements in connection with such selection.

Designer will fully indemnify TI and its representatives against any damages, costs, losses, and/or liabilities arising out of Designer's non-compliance with the terms and provisions of this Notice.

## Looking for pricing, stock, or lifecycle information?

Click below to explore more details on WIN SOURCE:

 [View PCM1742E/2K on WIN SOURCE](#)

 [Texas Instruments](#) Information

## Optimize Your Supply Chain with WIN SOURCE Solutions

-  Global Sourcing Solution
-  Obsolete Management
-  Cost Control Management
-  Shortage Management
-  Alternative Solution
-  Excess Inventory Management