



# THE DATASHEET OF PCH-124D2M



THIS DRAWING IS UNPUBLISHED.

© COPYRIGHT - BY -

RELEASED FOR PUBLICATION  
ALL RIGHTS RESERVED.

2

3

4

LOC  
HB

DIST  
—

P LTR

ADD

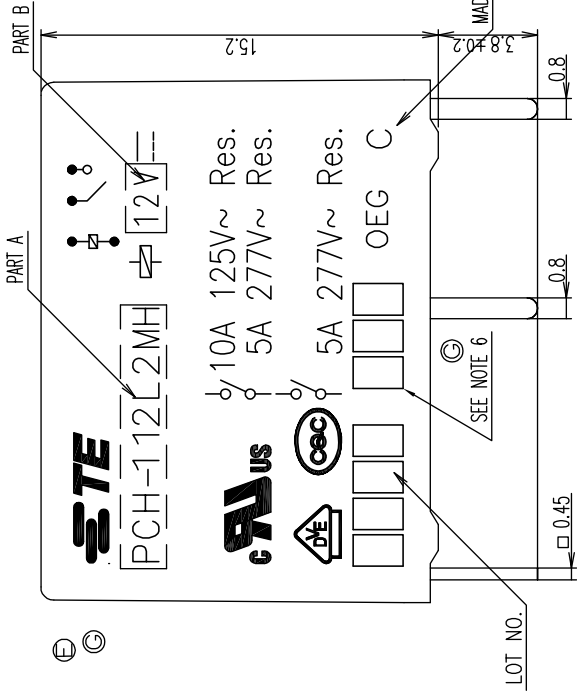
F

CHANGE

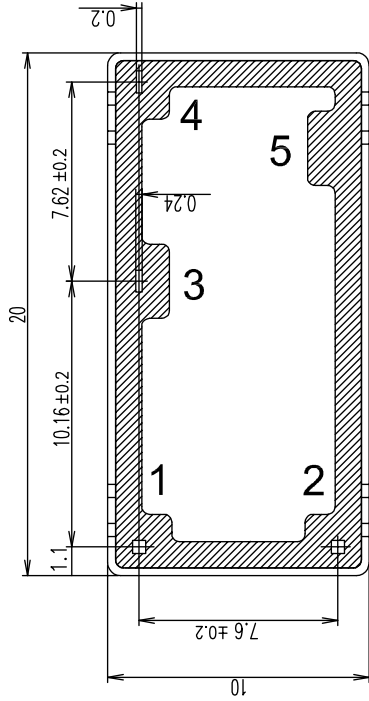
G

ADD

D



C



B

Diagram dimension	Tolerance
0.99mm max.	±0.1mm
1 - 2.99mm	±0.2mm
3mm min.	±0.3mm

THIS DRAWING IS A CONTROLLED DOCUMENT.

DWG

H.SASAKI

CHK

N.FUNAYAMA

APVD

A.NAGAI

PRODUCT SPEC

SEE PRODUCT SPEC

APPLICATION SPEC

WEIGHT

CUSTOMER DRAWING

DIMENSIONS:

mm



TOLERANCES UNLESS OTHERWISE SPECIFIED:

0 PLC ± -

1 PLC ± -

2 PLC ± -

3 PLC ± -

4 PLC ± -

ANGLES ± -

FINISH ± -

MATERIAL

A

THIS DRAWING IS UNPUBLISHED.

RELEASED FOR PUBLICATION

ALL RIGHTS RESERVED.

© COPYRIGHT - BY -

LOC HB

DIST -

P UTR

- - SEE S

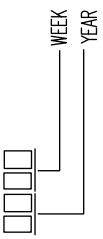
1461350-7	PCH-14802M	108-79650	48V	PCH-14802M	g
1461350-6	PCH-12402M	108-79649	24V	PCH-12402M	f
1461350-5	PCH-11202M	108-79648	12V	PCH-11202M	e
1461350-4	PCH-10902M	108-79647	9V	PCH-10902M	d
1461350-3	PCH-10602M	108-79646	6V	PCH-10602M	c
1461350-2	PCH-10502M	108-79645	5V	PCH-10502M	b
1461350-1	PCH-10302M	108-79644	3V	PCH-10302M	a
TE PART NO	TE TYPE NAME	PRODUCT SPEC	PART B	PART A	TYPE

RELAY TYPE

NOTES:

- 1.LAST SUFFIX NON : WASHABLE TYPE

④ 2.LOT NO. SYSTEM AS FOLLOWING:



- ③ 3.TERMINAL DIMENSION IS BEFORE SOLDER DIP;
- ③ 4.FOR THE TIN-PLATING OF THE PINS:

+0.1mm FOR WIDTH,THICKNESS AND DIAMETER.

+0.5mm FOR LENGTH.

- ③ 5.MARKING FROM INK TO LASER.

- ③ 6.ADD LOT NO. SYSTEM AS FOLLOWING;

I, DIGITS FOR DAY OF THE WEEK

1...MONDAY IN THIS WEEK;

2...TUESDAY IN THIS WEEK;

.....

7...SUNDAY IN THIS WEEK

II, DIGITS FOR SHIFT OF THE DAY

1...DAY SHIFT IN THIS DAY;

2...NIGHT SHIFT IN THIS DAY;

III, ONE CHARACTER DISTINGUISH THE LINE IDENTITY, SUCH AS: A.B.....Z



THIS DRAWING IS A CONTROLLED DOCUMENT.

DIMENSIONS: mm	TOLERANCES UNLESS OTHERWISE SPECIFIED:
	0 PLC ± -
	1 PLC ± -
	2 PLC ± -
	3 PLC ± -
	4 PLC ± -
ANGLES	± -
FINISH	-
MATERIAL	-

DWG	H.SASAKI
CHK	N.FUNAYAMA
APVD	A.NAGAI
PRODUCT SPEC	SEE PRODUCT SPEC
APPLICATION SPEC	-
WEIGHT	-
CUSTOMER DRAWING	-

## Looking for pricing, stock, or lifecycle information?

Click below to explore more details on WIN SOURCE:

-  [View PCH-124D2M on WIN SOURCE](#)
-  [TE Connectivity Information](#)

## Optimize Your Supply Chain with WIN SOURCE Solutions

-  Global Sourcing Solution
-  Obsolete Management
-  Cost Control Management
-  Shortage Management
-  Alternative Solution
-  Excess Inventory Management